

Husqvarna®

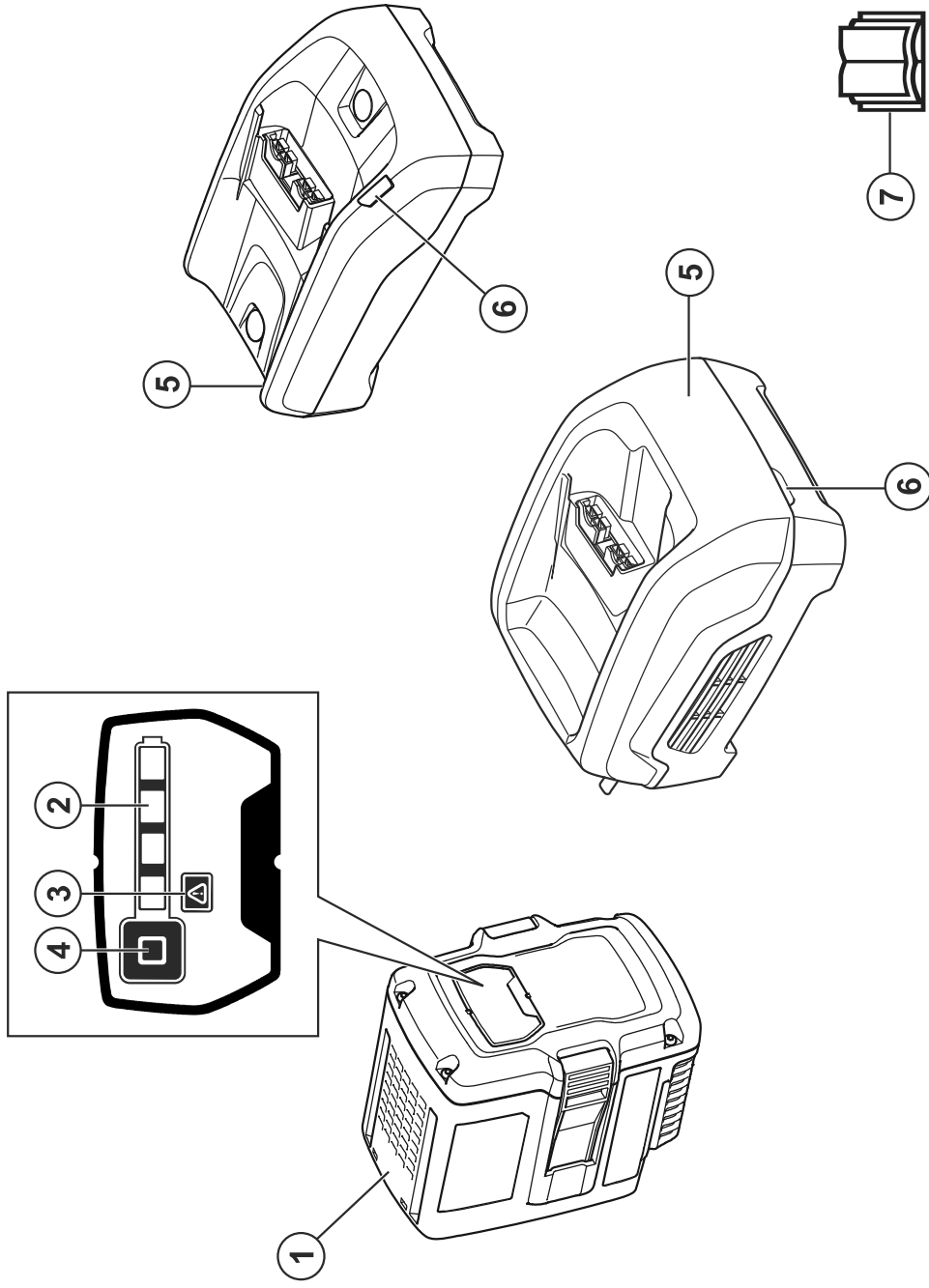


EN	Operator's manual	2-7	LV	Lietošanas pamācība	100-105
BG	Ръководство за експлоатация	8-13	MS	Panduan Pengguna	106-112
CS	Návod k použití	14-19	NL	Gebruiksaanwijzing	113-118
DA	Brugsanvisning	20-25	NO	Bruksanvisning	119-124
DE	Bedienungsanweisung	26-31	PL	Instrukcja obsługi	125-130
EL	Οδηγίες Χρήσης	32-37	PT	Manual do utilizador	131-136
ES	Manual de usuario	38-44	RO	Instrucțiuni de utilizare	137-143
ET	Kasutusjuhend	45-50	RU	Руководство по эксплуатации	144-149
FI	Käyttöohje	51-56	SK	Návod na obsluhu	150-155
FR	Manuel d'utilisation	57-62	SL	Navodila za uporabo	156-162
HR	Priručnik za korištenje	63-69	SR	Priručnik za rukovaoca	163-168
HU	Használati utasítás	70-75	SV	Bruksanvisning	169-174
IT	Manuale dell'operatore	76-81	TR	Kullanım kılavuzu	175-180
JA	取扱説明書	82-87	UK	Посібник користувача	181-186
KO	사용자 설명서	88-93	VI	Sách hướng dẫn sử dụng	187-192
LT	Operatoriaus vadovas	94-99	ZH	操作手册	193-197

40-B70, 40-B140



PRODUCT OVERVIEW

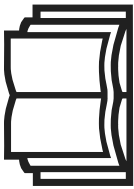


1. Battery
2. LED indicator for the state of charge
3. Warning LED
4. State of charge indicator button
5. Battery charger
6. Charging status LED
7. Operator's manual

SYMBOLS ON THE PRODUCT



Be careful and use the product correctly. This product can cause serious injury or death to the operator or others.

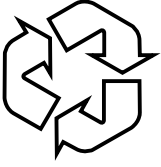


Read the operator's manual carefully and make sure that you understand the instructions before use.

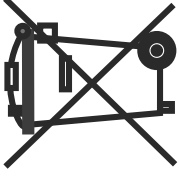


The product agrees with the applicable EC directives.

This product conforms to the applicable UK regulations.



Recycle the product at an applicable disposal location for electrical and electronic equipment.



The product or package of the product is not domestic waste.



Keep the unit away from water and rain.

yyyywwxxxx

The rating plate or the laser printing shows the serial number. **yyyy** is the production year, **ww** is the production week.

Note: Other symbols/decals on the product refer to certification requirements for some commercial areas.

SAFETY DEFINITIONS

Warnings, cautions and notes are used to point out specially important parts of the manual.



WARNING: Used if there is a risk of injury or death for the operator or bystanders if the instructions in the manual are not obeyed.



CAUTION: Used if there is a risk of damage to the product, other materials or the adjacent area if the instructions in the manual are not obeyed.

Note: Used to give more information that is necessary in a given situation.

IMPORTANT SAFETY INSTRUCTIONS



WARNING: Read all safety warnings and all instructions. Failure to obey the warnings and instructions may result in electrical shock, fire and/or serious injury.

Note: Save all warnings and instructions.

- Only use the battery chargers, QC80, QC250 or 40-C80 to charge Husqvarna original batteries. The batteries are software encrypted.
- Only use the 40-B70, 40-B140 batteries as a power supply for the related Husqvarna products. To prevent injury, do not use the battery as a power supply for other devices.
- Do not try to disassemble or repair the battery. All repairs is to be done by an approved dealer only.

- Keep the battery away from sunlight, heat or open flame. The battery can cause burns and/or chemical burns.
- Do not use a defective or damaged battery or battery charger.
- Do not cause mechanical shock to the battery.
- Do not remove the battery from its package until you are to use it.
- Do not let battery acid touch your skin. Battery acid causes injuries to the skin, corrosion and burns. If you get battery acid in your eyes, do not rub but flush with water for a minimum of 15 minutes. If battery acid has touched your skin, you must clean the skin with a large quantity of water and soap. Get medical aid.
- Keep the battery away from children.
- Keep the battery clean and dry.
- Clean the battery terminals with a clean dry cloth if they become dirty.
- Do not keep the battery in the battery charger when it is fully charged.
- Remove the battery from the product when you do not use it and during transportation.
- Keep batteries in storage away from metal objects such as nails, screws or jewelry.

OPERATION

- The battery must be charged before you use it for the first time. Always use Husqvarna QC80, QC250 or 40-C80 battery charger.
- Use the battery only when the ambient temperature is between -10 °C (14 °F) and 40 °C (104 °F).
- Use the battery charger only when the ambient temperature is between 5 °C (41 °F) and 40 °C (104 °F).
- The battery will not charge if the battery temperature is more than 50 °C (122 °F).
- Push the battery indicator button to get information of the state of charge of the battery.

To charge the battery



CAUTION: Make sure that the battery, the battery charger and the terminals on the battery are clean and dry. Do not put the battery in the battery charger if it is dirty or wet.

1. Connect the battery charger to a power outlet. The charging LED flashes 1 time.



CAUTION: Only connect the battery charger to a power outlet with the voltage and frequency specified on the rating plate.

2. Connect the battery to the battery charger. The charging LED comes on.
3. Remove the battery from the battery charger when it is fully charged. Push the battery indicator button for battery status. When all the LED indicators come on, the battery is fully charged.
4. Pull the power plug to disconnect the battery charger from the power outlet. Do not pull the power cord.

Battery LED indicator

The display shows the state of charge and if there are problems with the battery.

LED indicator	Battery status (state of charge)
	40-B70, 40-B140
4 LED lights are on	The battery is 76% - 100% charged.
3 LED lights are on	The battery is 51% - 75% charged.
2 LED lights are on	The battery is 26% - 50% charged.
1 LED light is on	The battery is 6% - 25% charged.
1 LED light flashes	The battery is 0% - 5% charged.

TROUBLESHOOTING

Condition	Possible faults	Possible procedure
The battery warning LED flashes.	Temperature deviation, the battery is too cold or too hot to use.	Let the battery cool down or move it indoors to warm it up. When the battery has the correct temperature, it can be used again. The battery will not charge if the battery temperature is more than 50 °C (122 °F).
		Use the battery in ambient temperatures between -10 °C (14 °F) and 40 °C (104 °F).
		Use the battery charger in ambient temperatures between 5 °C (41 °F) and 40 °C (104 °F).
	The battery is empty.	Charge the battery.
The battery warning LED comes on.	Permanent battery error.	Speak to your dealer.

TRANSPORTATION AND STORAGE

- The supplied Li-ion batteries obey the Dangerous Goods Legislation requirements.
- Obey the special requirement on package and labels for commercial transportations, also those from third parties and forwarding agents.
- Speak to a person with special training in dangerous material before you send the product. Obey all applicable national regulations.
- Use tape on the contacts when you put the battery in a package. Put the battery in the package tightly to prevent damage and accidents.
- Do not keep the battery in an area where static electricity can occur. Do not keep the battery in a metal box.

- Put the battery in a dry, frost free and clean space with correct temperature.
- Put the battery in storage where the temperature is between 5 °C (41 °F) and 25 °C (77 °F). Keep the battery away from sunlight.
- Charge the battery 30% to 50% before you put it in storage for long periods.
- Clean the battery before you put it in storage.

DISPOSAL

Husqvarna products are not domestic waste and must only be discarded as given in this manual.

- Obey the local disposal requirements and applicable regulations.
- Recycle the product and package at an applicable disposal location.
- Speak to your local Husqvarna dealer for more information on how to recycle and discard the product.

TECHNICAL DATA

For technical data, refer to the rating plate of the battery.