



Operator's manual
HUSQVARNA AUTOMOWER®
320/430X/450X NERA



EN, English

Read the operator's manual carefully and make sure that you understand the instructions before you use the product.

Contents

1 Safety	
1.1 Safety definitions.....	3
1.2 General safety instructions.....	3
1.3 Safety instructions for installation.....	4
1.4 Safety instructions for operation.....	4
1.5 Safety instructions for maintenance.....	4
1.6 Battery safety.....	4
1.7 To lift and move the product.....	5
2 Introduction	
2.1 Introduction.....	6
2.2 Support.....	6
2.3 Product description.....	6
2.4 Product overview Automower® 320/430X/ 450X NERA.....	7
2.5 Symbols on the product.....	8
2.6 Symbols on the battery.....	8
2.7 General manual instructions.....	8
2.8 Automower® Access	9
3 Installation	
3.1 Introduction - Installation.....	12
3.2 Main components for installation.....	12
3.3 To prepare for installation.....	12
3.4 Before the installation of the wires.....	12
3.5 Installation of the product.....	17
4 Settings	
4.1 Schedule.....	21
4.2 Cutting height.....	21
4.3 Operation.....	22
4.4 Installation.....	23
4.5 Accessories.....	24
4.6 General.....	24
4.7 Security.....	24
4.8 Automower® Connect	25
4.9 Messages.....	25
4.10 Automower® Intelligent Mapping (AIM)	25
4.11 Download firmware over the air FOTA (Firmware over the air).....	25
4.12 Mowing profiles.....	26
4.13 To reinstall the charging station on the map....	26
4.14 To reinstall the reference station on the map....	26
5 Operation	
5.1 To set the product to ON.....	27
5.2 To start the product.....	27
5.3 To park the product.....	27
5.4 To stop the product.....	27
5.5 To set the product to OFF.....	28
5.6 To charge the battery.....	28
6 Maintenance	
6.1 Introduction - maintenance.....	29
6.2 Maintenance schedule.....	29
6.3 Clean the product.....	30
6.4 Battery.....	31
6.5 Replacement of the blades.....	31
7 Troubleshooting	
7.1 Messages.....	33
7.2 LED indicator of the charging station for boundary wire installation.....	39
7.3 Symptoms.....	40
7.4 Finding breaks in the loop wire.....	41
8 Transportation, storage and disposal	
8.1 Transportation.....	44
8.2 To put the product into storage.....	44
8.3 To put the charging station into storage.....	44
8.4 To install the charging station after storage.....	44
8.5 Disposal.....	45
9 Technical data	
9.1 Technical data.....	46

1 Safety

1.1 Safety definitions

Warnings, cautions and notes are used to point out specially important parts of the manual.



WARNING: Used if there is a risk of injury or death for the operator or bystanders if the instructions in the manual are not obeyed.



CAUTION: Used if there is a risk of damage to the product, other materials or the adjacent area if the instructions in the manual are not obeyed.

Note: Used to give more information that is necessary in a given situation.

1.2 General safety instructions



WARNING: Read the warning instructions that follow before you use the product.

- Read the Operator's manual carefully and make sure you understand the instructions before you use the product. Keep for future reference.
 - This appliance is not intended for use by children or persons with reduced physical, sensory or mental capabilities (that could affect a safe handling of the product), or lack of experience and knowledge, unless they have been given supervision or instruction concerning use of the appliance by a person responsible for their safety. However, EU requirements allows this appliance to be used by children aged from 8 years and above and persons with reduced physical, sensory or mental capabilities or lack of experience and knowledge, if they have been given supervision or instruction concerning use of the appliance in a safe way and understand the hazards involved. Children shall not play with the appliance. Cleaning and user maintenance shall not be made by children without supervision.
 - The product must only be used with the equipment recommended by Husqvarna. All other types of use are incorrect.
 - Do not use the product when persons, especially children, or animals are in the work area.
 - Warning signs must be put around the work area of the product if it operates in public areas. The signs must have the text that follows: Warning!
- Automatic lawn mower! Keep away from the machine! Supervise children!
- Do not touch moving hazardous parts, such as the blade disc, before it has come to a complete stop.
 - Set the product to OFF before you clear a blockage, do maintenance or examine the product, and if the product starts to vibrate abnormally. Examine the product for damage before you start the product again. Do not use the product if it is damaged.
 - If an injury or accident occur, get medical aid.
 - Do not put power supply cable and extension cable in the work area. This can cause damage to the cables.
 - Do not connect a damaged cable or plug, or touch a damaged cable, before it is disconnected from the power outlet. Disconnect the plug from the power outlet if the cable becomes damaged while in operation. A worn or damaged cable increases the risk of electrical shock. A damaged cable must be replaced by service personnel.
 - When you connect the power supply to the power outlet, use a residual-current device (RCD) with a tripping current of maximum 30 mA.
 - Only charge the product in the included charging station. For safe disposal of the battery, refer to *Battery on page 31*. Incorrect use may result in electric shock, overheating or leaking of corrosive liquid from the battery. In the event of leakage of electrolyte, flush with water/neutralizing agent. Get medical aid if corrosive liquid comes in your eyes.
 - Use only original batteries recommended by Husqvarna. Product safety cannot be guaranteed with other than original batteries. Do not use non-rechargeable batteries.
 - Follow the installation instructions that includes to specify the work area, refer to *Installation on page 12*.
 - Follow the instructions about to start and operate the product, refer to *Operation on page 27*.
 - If there is a risk of thunderstorm, Husqvarna recommends that the power supply and all the wires to the charging station are disconnected to decrease the risk of damage to electrical components. Connect the power supply and all the wires again if there is no longer a risk of thunderstorm. It is important that all wires are connected correctly.
 - Follow the maintenance instructions and if necessary use Husqvarna original spare parts, refer to *Maintenance on page 29*.
 - For technical data such as weight, dimensions and noise emission values, refer to *Installation of the product on page 17*.
 - The operator is responsible for accidents or dangers that occurs to other persons or property.

- The product must only be operated, maintained and repaired by persons that are fully conversant with its special characteristics and safety regulations.
- It is not permitted to change the initial design of the product.
- Obey national regulations about electrical safety.
- Husqvarna does not guarantee full compatibility between the product and other types of wireless systems such as remote controls, radio transmitters or equivalent.
- The built-in alarm is very loud. Be careful, especially if the product is handled indoors.
- Operation and storage temperature range is 0-50 °C / 32-122 °F. Temperature range for charging is 5-45 °C / 41-113 °F. Too high temperatures can cause damage to the product.
- Use the park mode or set the product to OFF when persons, especially children or animals are in the work area. Refer to *To set the product to OFF on page 28*. Husqvarna recommends to set the product to operate when the work area has no activity. The product can cause injury to animals at night in work area, for example hedgehogs. Refer to *Operating modes - Park on page 27*.
- Make sure that there are no objects such as stones, branches, tools or toys on the lawn. The blades can be damaged if it hits an object.
- Do not lift the product or move it when it is set to ON.
- Do not let the product collide with persons or animals. If a person or animal comes in the way of the product, stop the product immediately. Refer to *To stop the product on page 27*.
- Do not put objects on top of the product or its charging station.
- Do not use the product if the **STOP** button does not work.
- Always set the product to OFF when it is not in operation. The product can only start when you enter the correct PIN code.
- Do not use the product at the same time as a pop-up sprinkler. Use the *Schedule* function so the product and pop-up sprinkler do not operate at the same time. Refer to *Schedule on page 21*.
- Do not let the product operate when there is standing water in the work area. For example when heavy rain forms pools of water.

1.3 Safety instructions for installation



WARNING: Read the warning instructions that follow before you use the product.

- Do not install the charging station, including any accessory, at a location that is below, or within 60 cm / 24 in. from, any combustible material. In case of malfunction, heating of the charging station and the power supply may occur and create a potential risk of fire.
- Do not put the power supply at a height where there is a risk it can be put in water. Do not put the power supply on the ground.
- Do not encapsulate the power supply. Condensed water can harm the power supply and increase the risk of electrical shock.
- Do not install the charging station where there are pests, for example ants.
- Applicable to USA/Canada. If power supply is installed outdoors: Risk of Electric Shock. Install only to a covered Class A GFCI receptacle (RCD) that has an enclosure that is weatherproof with the attachment plug cap inserted or removed.
- Do not install the charging station where there is a risk of standing water.

1.4 Safety instructions for operation



WARNING: Read the warning instructions that follow before you use the product.

- Keep your hands and feet away from the rotating blades. Do not put your hands or feet near or below the product when it is set to ON.

1.5 Safety instructions for maintenance



WARNING: Read the warning instructions that follow before you do maintenance on the product.

- Set the product to **OFF** when you do maintenance on the product.
- Do not use a high-pressure washer to clean the product. Do not use solvents to clean the product.
- Disconnect the plug to the charging station before you clean or do maintenance of the charging station.

1.6 Battery safety



WARNING: Read the warning instructions that follow before you use the product.

- Lithium-ion batteries can explode or cause fire if disassembled, short-circuited, exposed to water, fire, or high temperatures. Handle carefully, do not dismantle, open the battery or use any type

of electrical/mechanical abuse. Avoid storage in direct sunlight.

1.7 To lift and move the product



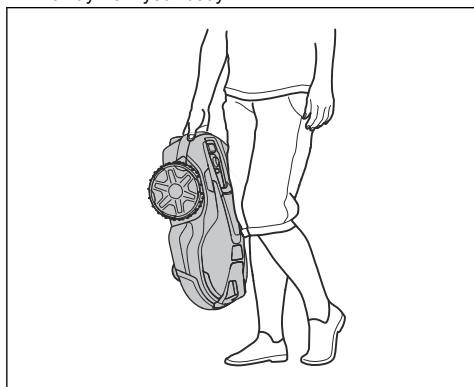
WARNING: The product must be set to OFF before you lift the product. The product is disabled when the indicator on the **jog wheel** goes off.



CAUTION: Do not lift the product when it is parked in the charging station. It can cause damage to the charging station and/or the product. Push the **STOP** button and pull the product out of the charging station before you lift it.

To safely move the product from or in the work area:

1. Push the **STOP** button to stop the product.
2. Set the product to OFF.
3. Lift the product by the handle with the blade disc away from your body.



2 Introduction

2.1 Introduction

Factory PIN code: 1234
Serial number:
Product number:

The serial number and the product number are on the product rating plate and on the product carton.

- Register your product on www.husqvarna.com. Enter the serial number of the product, the product number and the date of purchase to register your product.

2.2 Support

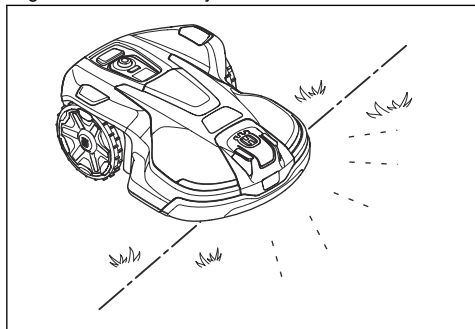
For support about the product, speak to your Husqvarna servicing dealer.

2.3 Product description

Note: Husqvarna regularly updates the appearance and function of the products. Refer to *Support on page 6*.

The product is a robotic lawn mower. The product has a battery power source and operates automatically. When the battery state of charge is low the product goes to the charging station to charge. The product starts to operate again when the battery is fully charged.

The frequent cutting technique improves the grass quality and decreases the use of fertilizers. Collection of grass is not necessary.



2.3.1 Installation method

You can install the product with a boundary wire or without boundary wire with EPOS™. A boundary wire is not necessary if you install the product with EPOS™.

For installation of the boundary wire, refer to *Installation on page 12*. For installation with EPOS™, read the operator's manual that is included with the reference station.

2.3.2 Automower® Connect

Automower® Connect is a mobile application that makes it possible to select the operation settings remotely. Automower® 320 NERA can connect to the app with Bluetooth® and Wi-Fi. Automower® 430X/450X NERA can connect to the app with Bluetooth®, Wi-Fi and cellular connectivity. When you are near the product you can connect your mobile device and the product with Bluetooth®. It is necessary to be connected with Bluetooth® to make some settings. When the product is connected to your Wi-Fi network or to the cellular network you can control the product from everywhere. You can also make the settings of the product. Refer to *Automower® Connect app on page 17*.

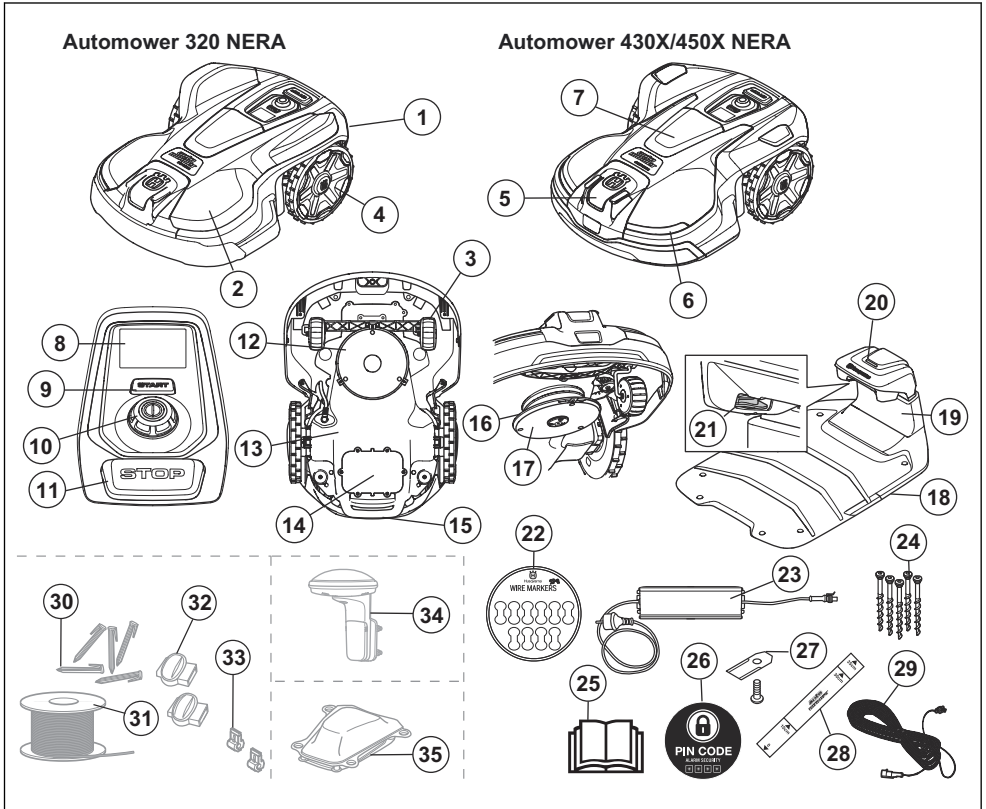
2.3.3 Automower® Access

Automower® Access is the user interface of the product, it includes the display, the **jog wheel**, the **START** button and the **STOP** button. In Automower® Access you can set the cutting height and start, stop and park the product. Refer to *Menu structure overview in Automower® Access on page 10*.

2.3.4 Automower® Intelligent Mapping (AIM)

Automower® Intelligent Mapping (AIM) is available in the Automower® Connect app. Use Automower® Intelligent Mapping (AIM) to make a virtual map of your lawn and installation. In the map you can make virtual work areas and stay-out zones. Refer to *Automower® Intelligent Mapping (AIM) on page 25*.

2.4 Product overview Automower® 320/430X/450X NERA



- | | |
|--|--|
| <ol style="list-style-type: none"> 1. Product body 2. Top cover 3. Front wheels 4. Rear wheels 5. Radar 6. Headlights 7. Accessory hub 8. Display 9. START button 10. Jog wheel 11. STOP button 12. Cutting system 13. Chassis box with electronics, battery and motors 14. Rating plate 15. Handle | <ol style="list-style-type: none"> 16. Blade disc 17. Skid plate 18. Charging station 19. Hatch 20. LED indicator of the charging station 21. Contact plates 22. Cable markers 23. Power supply¹ 24. Screws to attach the charging station 25. Operator's manual and Quick guide 26. Alarm decal 27. Extra blades 28. Measurement gauge for installation of the boundary wire (the measurement gauge is removed from the carton of the product) 29. Low-voltage cable |
|--|--|

¹ The appearance can be different for different markets.

30. Stakes²
31. Loop wire for boundary wire and guide wire³
32. Connectors for the loop wire⁴
33. Couplers for the loop wire⁵
34. Reference station⁶
35. Husqvarna® Automower® EPOS™ Plug-in⁷

2.5 Symbols on the product

These symbols can be found on the product. Make sure that you understand them.



WARNING: Read the operator instructions before you operate the product.



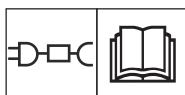
WARNING: Disable the product before maintenance or before you lift the product.



WARNING: Keep a safe distance from the product when it is in operation. Keep your hands and feet away from the rotating blades of the product.



WARNING: Do not sit on the product. Do not put your hands or feet near or below the product.



Use a detachable power supply as specified on the rating plate adjacent to the symbol.



This product complies with the applicable EU Directives.



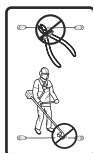
This product complies with the applicable UK Directives.



It is not permitted to dispose the product as usual domestic waste. Obey national regulations and use the local recycling system.



The chassis contains components which are sensitive to electrostatic discharge (ESD). The chassis must only be opened and sealed by an authorized service technician. The warranty will not be applicable if the seal is broken.



Do not make modifications on the low-voltage cable.

Do not use a hedge trimmer or a grass trimmer near the low-voltage cable.

2.6 Symbols on the battery



WARNING: Lithium-ion batteries can explode or cause fire if disassembled, short-circuited or handled roughly. Do not expose to water, fire or high temperature.



Read the user instructions.



Do not discard the battery into fire and do not expose the battery to a heat source.



Do not immerse the battery into water.

2.7 General manual instructions

The following system is used in the Operator's Manual to make it easier to use:

- Text written in *italics* is a text that is shown in the display or is a reference to another section in the Operator's Manual.
- Text written in **bold** is one of the buttons on the product.

² Is a part of the installation kit.

³ Is a part of the installation kit.

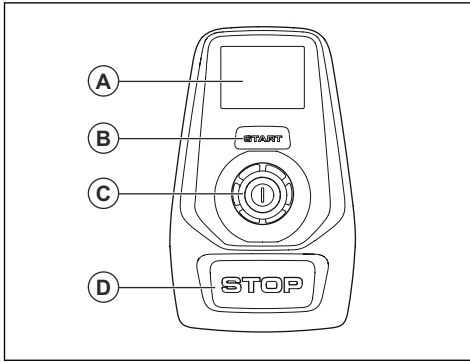
⁴ Is a part of the installation kit.

⁵ Is a part of the installation kit.

⁶ Purchased separately.

⁷ Purchased separately.

2.8 Automower® Access



- The display (A) shows the status bar and the main menu symbols. Refer to *Symbols on the display on page 9*.
- The **START** button (B) is used to start the operation of product.
- The **jog wheel** (C) is turned to move through the menu structure and pushed to select.
- The **STOP** button (D) is used to stop the product.

2.8.1 Symbols on the display



The product is in operation.



The product is parked.



The product is paused.



There is an error.



Cutting height of the product.



Cellular signal strength.



Wi-Fi signal strength.



Bluetooth® connection is enabled.

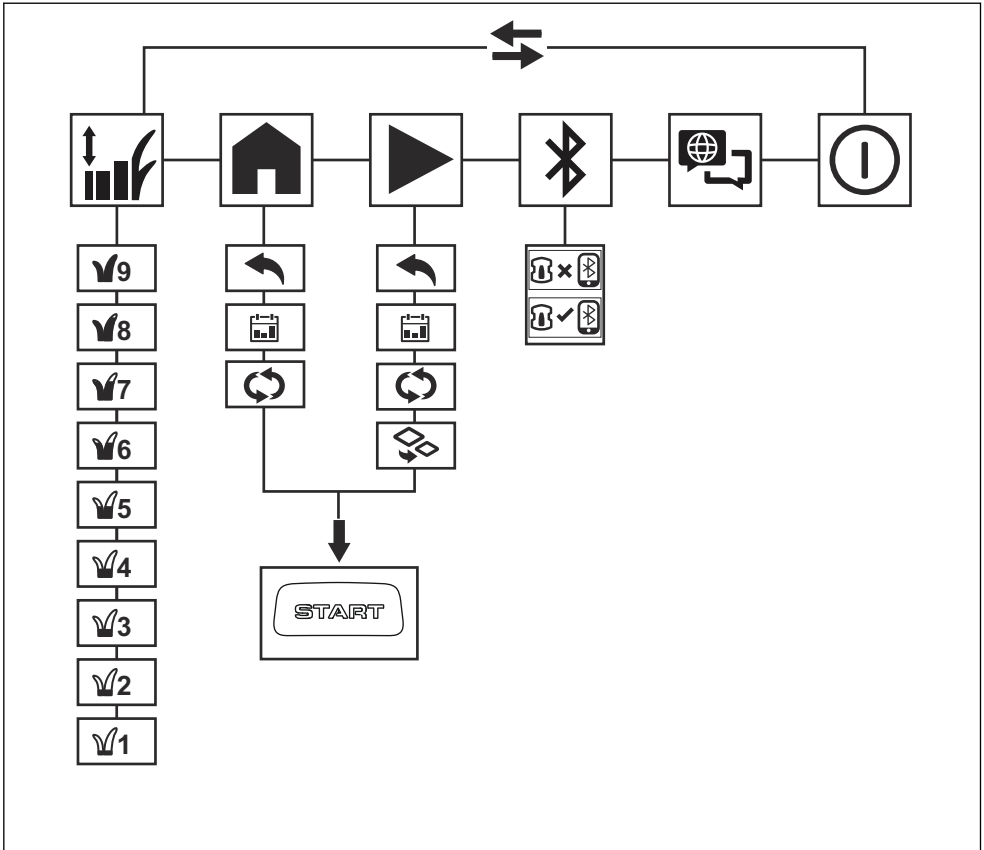


The battery is charging.



Battery level.

2.8.2 Menu structure overview in Automower® Access



2.8.2.1 Symbols in the main menu for Automower® Access



Cutting height

In the *Cutting height* menu you can adjust the cutting height in 9 steps.



Park

In the *Park* menu you can set the product to park until further notice or to the set schedule.



Mow

In the *Mow* menu you can set the product to cut to the set schedule or in secondary area mode.



Connect

In the *Connect* menu you can enable Bluetooth® and make a pairing operation with your mobile device.



Language

In the *Language* menu you can select a language in the display.



Power off

Power off sets the product to OFF.

2.8.2.2 Symbols in the submenu for Automower®

Access



Cutting height

In the *Cutting height* submenu you can select a cutting height for the product.



Back

If you select *Back*, you go back to the main menu.



Schedule

In the *Schedule* submenu you can select the *Schedule* settings. The *Schedule* settings are set in the Automower® Connect app.



Selected operation mode

In this submenu you can select the product to operate continuously in the selected operation mode. The product continues to operate in this mode until you select a new operation mode.



Secondary area

In the *Secondary area* submenu you can select the *Secondary area* operation mode. Refer to *Secondary area on page 27*.



Connected

The product and mobile device are connected with Bluetooth®.



Not Connected

The product and mobile device are not connected with Bluetooth®.

3 Installation

3.1 Introduction - Installation

Read this chapter to install the product with a boundary wire. A boundary wire is not necessary if you install the product with the EPOS™. Read the operator's manual for the reference station to install it with the product.



WARNING: Read and understand the safety chapter before you install the product.



CAUTION: Use original spare parts and installation material.

Note: Refer to www.husqvarna.com for more information about installation.

3.2 Main components for installation

The installation involves the following components:

- A robotic lawn mower that mows the lawn automatically.
- A charging station, which has 3 functions:
 - To send control signals along the boundary wire.
 - To send control signals along the guide wire so that the product can follow the guide wire to specific remote areas in the garden and can find its way back to the charging station.
 - To charge the product.
- A power supply, which is connected to the charging station and a 100-240V power outlet.
- Loop wire, which is laid around the work area and around objects and plants that the product must not run into. The loop wire is used both as boundary wire and guide wire.

3.3 To prepare for installation

Read the installation chapter before you start the installation. Prepare the installation carefully to make the product operate satisfactorily.

- Make a blueprint of the work area and include all obstacles. This makes it easier to examine where to put the charging station, the boundary wire and the guide wire.
- Make a mark on the blueprint where to put the charging station, the boundary wire and the guide wire.
- Make a mark on the blueprint where the guide wire connects to the boundary wire. Refer to *To install the guide wire on page 19*.

- Fill in holes in the lawn to make it level.



CAUTION: Holes with water in the lawn can cause damage to the product.

- For Automower® 320 NERA, make sure that you have Wi-Fi coverage in the charging station to download new firmware. Refer to *Download firmware over the air FOTA (Firmware over the air) on page 25*. For Automower® 430X/450X NERA Wi-Fi or cellular technology is used for FOTA.
- For Automower® 320 NERA, make sure that you have Wi-Fi coverage in the work area if you use the Automower® Connect app remotely. Refer to *Automower® Connect app on page 17*. For Automower® 430X/450X NERA Wi-Fi or cellular technology is used for Automower® Connect.

Note: We recommend you to have Wi-Fi coverage in the work area. If you have Wi-Fi coverage, you can control and make settings for the product remotely with the Automower® Connect app. The product automatically connects to Wi-Fi when it is in an area that has Wi-Fi coverage.

- Cut the grass and trim the edges before you install the product. Make sure that the grass is maximum 10 cm / 3.9 in.

Note: The first weeks after installation the sound level when the product cuts the grass can be higher than usual. The sound level decreases after some time.

3.4 Before the installation of the wires

You can select to attach the wires with stakes or bury them. You can use the 2 procedures for the same work area.

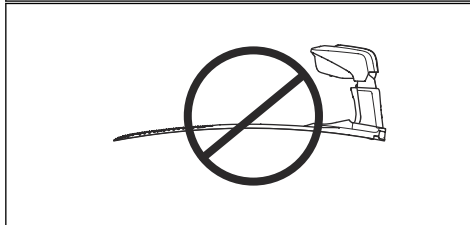
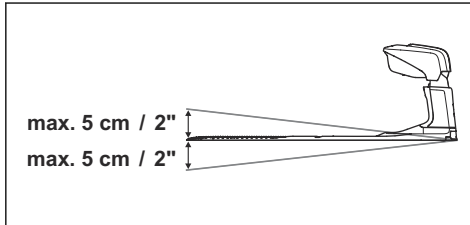


CAUTION: If you use a dethatcher in the work area, bury the boundary wire and the guide wire to prevent them from damage.

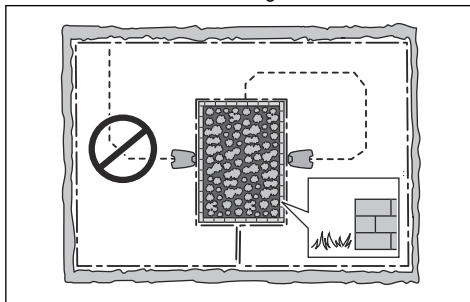
3.4.1 To examine where to put the charging station

- Keep a minimum 3 m / 10 ft. of free space in front of the charging station. Refer to *To examine where to put the guide wire on page 16*.
- Keep a minimum of 150 cm / 60 in. of free space to the right and left of the center of the charging station.
- Put the charging station near a power outlet.

- Put the charging station on a level surface.
- The baseplate of the charging station must not be bent.



- If the work area has two parts separated with a steep slope, we recommend to put the charging station in the lower section.
- Put the charging station in an area with protection from the sun.
- For Automower® 320 NERA, put the charging station where there is Wi-Fi coverage to download new firmware. Refer to *Download firmware over the air FOTA (Firmware over the air)* on page 25. For Automower® 430X/450X NERA cellular technology is used for FOTA. You can also select to use Wi-Fi with FOTA.
- If the charging station is installed on an island, make sure to connect the guide wire to the island.



3.4.2 To examine where to put the power supply



CAUTION: Make sure that the blades on the product do not cut the low-voltage cable.



CAUTION: Do not put the low-voltage cable in a coil or below the charging station plate. The coil causes interference with the signal from the charging station.



- Put the power supply in an area with a roof and protection from the sun and rain.
- Put the power supply in an area with good airflow.
- Use a residual-current device (RCD) with a tripping current of maximum 30 mA when you connect the power supply to the power outlet.

Low-voltage cables of different lengths are available as accessories.

3.4.3 To examine where to put the boundary wire



CAUTION: There must be a barrier of minimum 15 cm / 6 in. in height between the boundary wire and water bodies, slopes, precipices or public roads. This will prevent damage to the product.



CAUTION: Do not let the product operate on gravel.



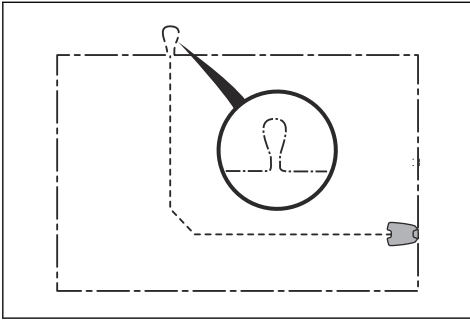
CAUTION: Do not make sharp bends when you install the boundary wire.



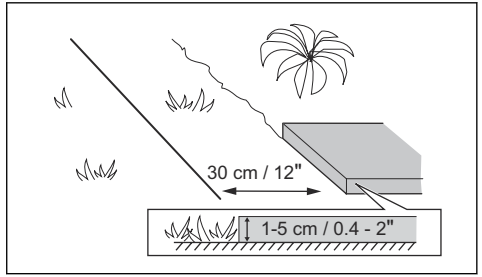
CAUTION: For careful operation without noise, isolate all obstacles such as trees, roots and stones.

The boundary wire should be put as a loop around the work area. Sensors in the product sense when the product approaches the boundary wire, and the product selects another direction. All parts of the work area must be maximum 35 m / 115 ft. from the boundary wire.

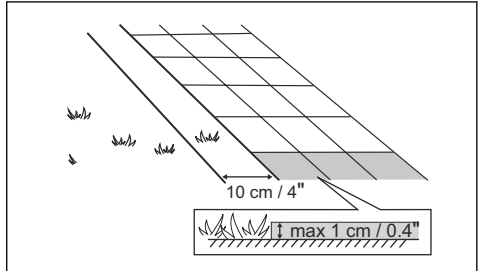
To make the connection easier between the guide wire and the boundary wire, it is recommended to make an eyelet where the guide wire will be connected. Make the eyelet with approximately 20 cm / 8 in. of the boundary wire.



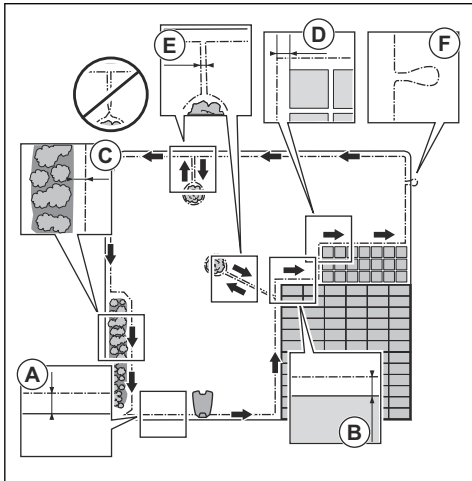
Note: Make a blueprint of the work area before you install the boundary wire and guide wire.



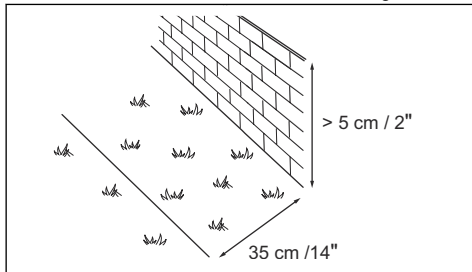
- Put the boundary wire 10 cm / 4 in. (D) from an obstacle that is less than 1 cm / 0.4 in. high.



- If you have a paving stone path that is in level with the lawn, put the boundary wire below the paving stone.



- Put the boundary wire around all of the work area (A). Adapt the distance between the boundary wire and obstacles.
- Put the boundary wire 35 cm / 14 in. (B) from an obstacle that is more than 5 cm / 2 in. high.



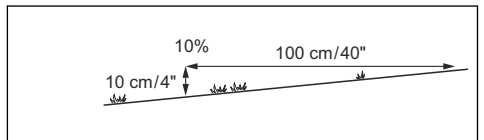
- Put the boundary wire 30 cm / 12 in. (C) from an obstacle that is 1-5 cm / 0.4-2 in. high.

Note: If the paving stone is minimum 30 cm / 12 in. wide, use the factory setting for the *Drive Past Wire* function to cut all the grass adjacent to the paving stone. Refer to *Drive Past Wire* function on page 24.

- If you make an island, put the boundary wire that runs to and from the island near together (E). Put the wires in the same stake. Refer to *To make an island* on page 15.
- Make an eyelet (F) where the guide wire is to be connected to the boundary wire.

3.4.3.1 To put the boundary wire in a slope

The product can operate in 50% slopes. Slopes that are too steep must be isolated with the boundary wire. The gradient (%) is calculated as the vertical height divided by the horizontal distance. Example: 10 cm / 100 cm = 10%.



- For slopes steeper than 50% inside the work area, isolate the slope with boundary wire.

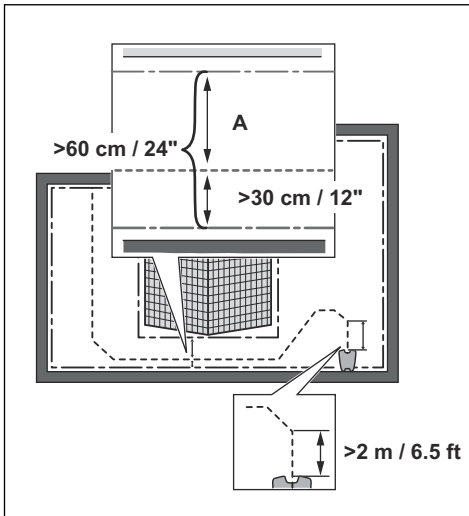
- For slopes steeper than 25% along the outer edge of the lawn, put the boundary wire 20 cm / 8 in. (A) from the edge.
- For slopes adjacent to a public road, put a barrier of minimum 15 cm / 6 in. along the outer edge of the slope. You can use a wall or a fence as a barrier.

3.4.3.2 Passages

A passage is a section that has boundary wire on each side and that connects 2 parts of the work area. The distance between the boundary wire on each side in the passage must be a minimum of 60 cm / 24 in.

Note: If a passage is less than 2 m / 6.5 ft. wide, install a guide wire through the passage.

The recommended minimum distance between the guide wire and the boundary wire is 30 cm / 12 in. The product always runs to the left of the guide wire as seen facing the charging station. It is recommended to have as much free area as possible to the left of the guide wire (A).



3.4.3.3 To make an island



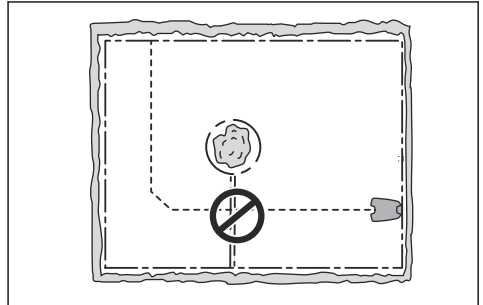
CAUTION: Do not put a section of boundary wire across the other. The sections of boundary wire must be parallel.



CAUTION: Do not put the guide wire across the boundary wire.



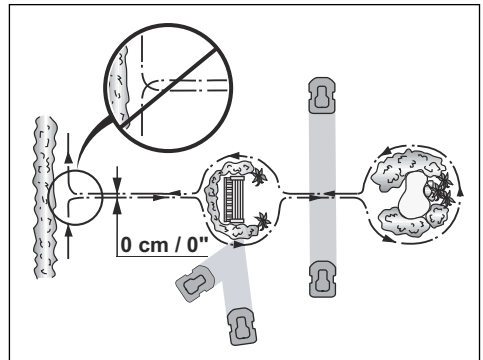
CAUTION: Isolate or remove obstacles that are less than 15 cm / 5.9 in. in height. Isolate or remove obstacles that slope slightly, for example, stones, trees or roots. This will prevent damage to the blades of the product.



To make an island, isolate areas in the work area with the boundary wire. We recommend to isolate all stable objects in the work area.

Some obstacles are resistant to a collision, for example, trees or bushes that are more than 15 cm / 5.9 in. in height. The product will collide with the obstacle and then select a new direction.

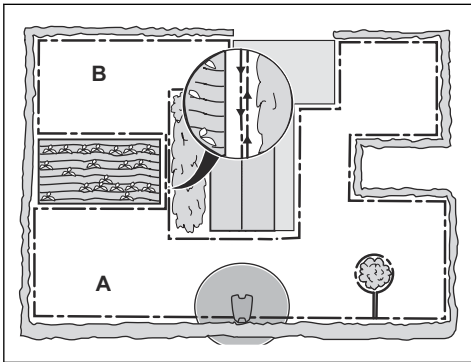
- Put the boundary wire to and around the obstacle to make an island.
- Put the 2 sections of boundary wire to and from the island close together. This will make the product run across the wire.
- Put the 2 sections of boundary wire in the same stake.



3.4.3.4 To make a secondary area

Make a secondary area (B) if the work area has 2 areas that are not connected with a passage. The work area with the charging station is the main area (A).

Note: The product must be manually moved between the main area and the secondary area.



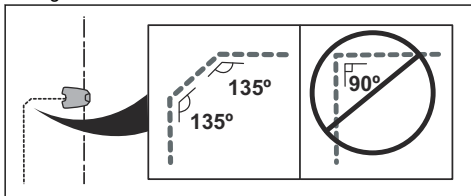
- Put the boundary wire around the secondary area (B) to make an island. Refer to *To make an island on page 15*.

Note: The boundary wire must be put as 1 loop around all of the work area (A + B).

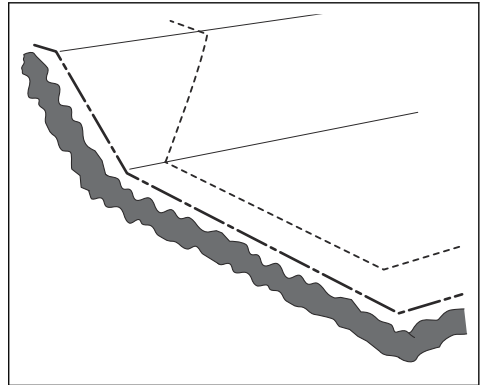
Note: When the product cuts grass in the secondary area, the *Secondary area mode* must be selected. Refer to *Secondary area on page 27*.

3.4.4 To examine where to put the guide wire

- Put the guide wire in a line at a minimum of 2 m / 6.5 ft. in front of the charging station.
- Make as much free area as possible to the left of the guide wire when facing the charging station. Refer to *To install the guide wire on page 19*.
- Put the guide wire minimum 30 cm / 12 in. from the boundary wire.
- Do not make sharp bends when you install the guide wire.

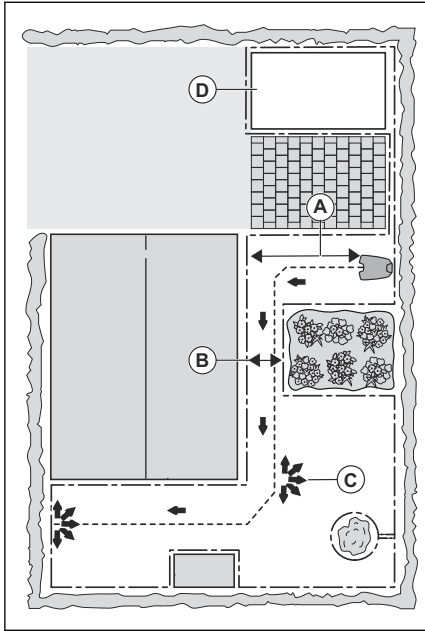


- If the work area has a slope, put the guide wire diagonally across the slope.



3.4.5 Work area examples

- If the charging station is put in a small area (A), make sure that the distance to the boundary wire is at a minimum 3 m / 10 ft. in front of the charging station.
- If the work area has a passage (B) with no guide wire installed, the recommended minimum distance between the boundary wires is 2 m / 6.5 ft. With a guide wire installed through the passage, the recommended minimum distance between the boundary wires is 60 cm / 24 in.
- If the work area has areas which are connected by a narrow passage (B), you can set the product to first follow and then leave the guide wire after a certain distance (C). The settings can be changed in *GPS assisted navigation on page 23*.
- Use the GPS Assisted Navigation that helps the product select the most optimal operation. Refer to *Lawn coverage on page 23*.
- If the work area includes a secondary area (D), refer to *To make a secondary area on page 15*. Put the product in the secondary area and select *Secondary area mode*.



3.5 Installation of the product

3.5.1 Installation tools

- Hammer/plastic mallet: To simplify putting the stakes into the ground.
- Edge cutter/straight spade: To bury the boundary wire.
- Combination pliers: For cutting the boundary wire and pressing the connectors together.
- Adjustable plier: For pressing the couplers together.

3.5.2 Automower® Connect app

The product can connect to mobile devices that have the Automower® Connect app installed. Automower® Connect is a free app for your mobile device. You can use the extended functions for the product in the Automower® Connect app.

- The *Dashboard* shows the current operation of the product. You can select an operating mode for the product in the dashboard.
- The *Map* shows the current position of the product and the set center point for the GeoFence function.
- In the *Settings* menu you can set the settings for the product.
- In the *Statistics* menu you can see the statistics of the product.

- In the *Messages* menu you can find the *Fault messages* and the *Information messages* of the product.
- In the *Support* menu you can find the full operator's manual for the product and the *Help Center* where you can get help with troubleshooting.

The Automower® Connect app has Long-range cellular connectivity, Wi-Fi connectivity and Short-range Bluetooth® connectivity.

3.5.2.1 To install the Automower® Connect app

1. Download the Automower® Connect app on your mobile device.
2. Sign up for a Husqvarna account in the Automower® Connect app.
3. An e-mail is sent to the registered e-mail address. Follow the instructions in the e-mail in less than 24 hours to validate your account.
4. Log in to your Husqvarna account in the Automower® Connect app.

3.5.3 To start the product for the first time

When the product is set to ON for the first time, there are some basic settings to do before the product can start to operate.

1. Push the **jog wheel** for 3 seconds to set the product to ON.

Note: The Bluetooth® pairing operation mode of the product is enabled for 3 minutes. If the pairing operation between the product and the mobile device is not completed correctly, use the **jog wheel** to select Bluetooth® to enable it again.

2. Enter the factory PIN code 1234 on the product.
3. Log on to your Husqvarna account in the Automower® Connect app.
4. Start Bluetooth® on your mobile device.
5. Select *My mowers* in the Automower® Connect app, and add your product.
6. Follow the instructions in the Automower® Connect app.

Note: Husqvarna recommends to change the factory PIN code to a new PIN code in the app.

3.5.4 To install the charging station



CAUTION: Do not make new holes in the charging station plate.



CAUTION: Do not put your feet on the baseplate of the charging station.



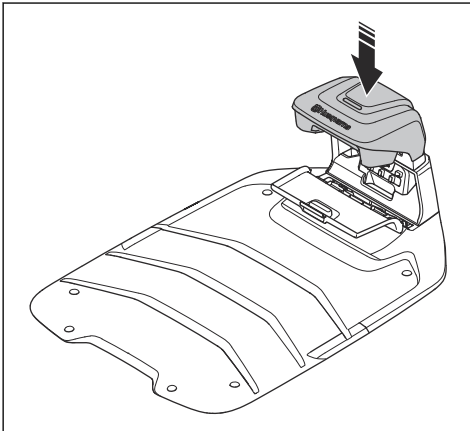
WARNING: Make sure that the plugs of the low-voltage cable and the power supply unit are clean and dry before you connect them.

When connecting the power supply, only use a power outlet that is connected to an residual-current (RCD) device.

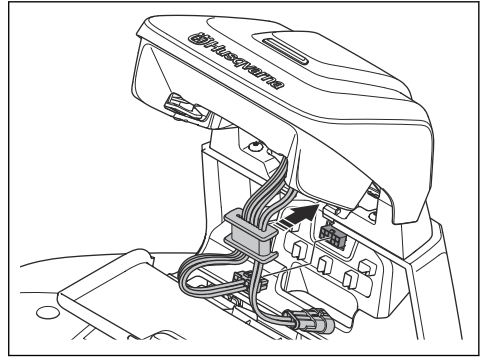
1. Read and understand the instructions about the charging station. Refer to *To examine where to put the charging station on page 12*.
2. Put the charging station in the selected area.

Note: Do not attach the charging station to the ground with the screws until the guide wire is installed. Refer to *To install the guide wire on page 19*.

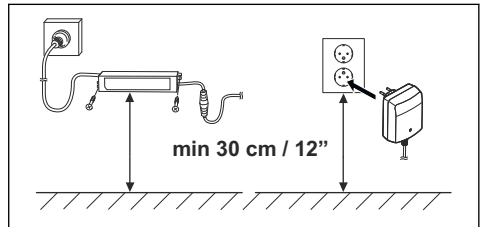
3. Open the hatch on the front of the charging station.
4. Attach the top of the charging station.



5. Lift and tilt the top of the charging station.
6. Put the grommet with the cables into position.
7. Connect the cable to the charging station.



8. Connect the low-voltage cable to the charging station.
9. Close the hatch on the front of the charging station.
10. Put the power supply at a minimum height of 30 cm / 12 in.



11. Connect the power supply cable to a 100-240V power outlet.

Note: The product can be put in the charging station to charge while you install the boundary wire.

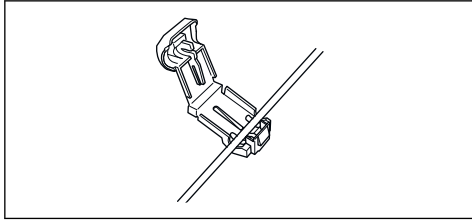
12. Put the low-voltage cable in the ground with stakes or bury the cable. Refer to *To put the wire into position with stakes on page 19* or *To put the wire into position with stakes on page 19*.
13. Connect the wires to the charging station after the installation of boundary wire and guide wire is complete. Refer to *To install the boundary wire on page 18* and *To install the guide wire on page 19*.
14. Attach the charging station to the ground with the supplied screws after the guide wire is installed. Refer to *To lift and move the product on page 5*.

3.5.5 To install the boundary wire

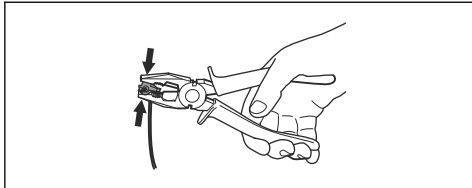


CAUTION: Do not put remaining wire in a coil. The coil causes interference with the product.

- Put the boundary wire around all of the work area. Start and complete the installation behind the charging station.
- Open the connector and put the boundary wire in the connector.



- Close the connector with a pair of pliers.



- Cut the boundary wire 1-2 cm / 0.4-0.8 in. above each connector.
- Push the right connector onto the metal pin on the charging station with the mark "AR".
- Push the left connector onto the metal pin on the charging station with the mark "AL".

3.5.6 To install the guide wire



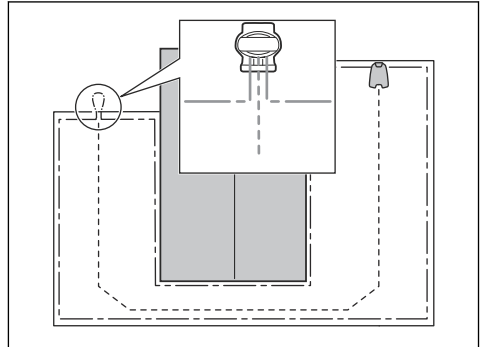
CAUTION: Twinned cables, or a screw terminal block that is insulated with insulation tape are not satisfactory splices. Soil moisture will cause the wire to oxidize and after a time result in a broken circuit.

- Open the connector and put the wire in the connector.
- Close the connector with a pair of pliers.
- Cut the guide wire 1-2 cm / 0.4-0.8 in. above the connector.
- Push the connector onto the metal pin on the charging station with the mark "G1/G2/G3".

Note: For Automower® 320/430X NERA 2 guide wires can be installed and for 3 guide wires can be installed.

- Disconnect the charging station from the power outlet.
- Put the guide wire from the charging station to the point where you want to connect it to the boundary wire.

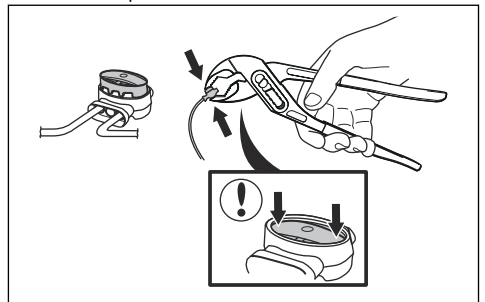
- Attach the guide wire to the ground with stakes or bury the guide wire in the ground. Refer to *To put the wire into position with stakes on page 19* or *To bury the boundary wire or the guide wire on page 20*.
- Put the end of the guide wire at the eyelet on the boundary wire.
- Cut the boundary wire with a pair of wire cutters.
- Connect the guide wire to the boundary wire with a coupler.



- Put the 2 ends of the boundary wire and the end of the guide wire into the coupler.

Note: Make sure that you can see the ends of the wires through the transparent area of the coupler.

- Push down the cover on the coupler with adjustable pliers to attach the wires in the coupler.



- Connect the charging station to the power outlet.

3.5.7 To put the wire into position with stakes



CAUTION: Make sure that the stakes hold the boundary wire and the guide wire against the ground.



CAUTION: Cutting the grass too low right after installation can damage the wire insulation. Damage to the insulation may not cause disruptions until several weeks or months later.

1. Put the boundary wire and the guide wire on the ground.
 2. Put the stakes at a maximum of 75 cm / 30 in. distance from each other.
 3. Attach the stakes to the ground with a hammer or a plastic mallet.
-

Note: The wire is overgrown with grass and not visible after a few weeks.

3.5.8 To bury the boundary wire or the guide wire

- Cut a groove in the ground with an edge cutter or a straight shovel.
- Put the boundary wire or the guide wire 1-20 cm / 0.4-8 in. into the ground.

3.5.9 To do a visual check of the charging station

1. Make sure that the indicator LED lamp on the charging station has a green light.
2. If the indicator LED lamp does not have a green light, do a check of the installation. Refer to *LED indicator of the charging station for boundary wire installation on page 39* and *To install the charging station on page 17*.

4 Settings

This chapter gives information about the settings for the product that you can make in the Automower® Connect app. All setting for the product are available in Automower® Connect. Some settings can also be made in Automower® Access, refer to *Automower® Access on page 9*. The product has factory settings but the settings can be adapted for each work area.

4.1 Schedule



In the *Schedule* menu you can change the schedule settings for the product. You can set separate schedule settings for each work area. Secondary areas cannot be scheduled. The schedule function controls which hours the product is permitted to operate. When the product does not operate, it is parked in the charging station. The shape of the work area, number of obstacles and slopes decreases the mowing capacity.

To calculate the schedule setting for irregular mowing, refer to *To calculate the schedule setting for irregular mowing on page 21*.

4.1.1 To use systematic mowing

- Set the schedule to let the product operate for as long time as possible.

Note: When the product has cut the work area it goes to the charging station. The product is parked in the charging station until the next schedule starts. If the work area is not fully cut, the product continues to cut the work area with the next schedule.

- To cut a work area 2 times a day, you can set 2 different schedules. Set the schedule for the product to have sufficient time to cut the complete work area.
- With 2 or more parallel schedules, the product starts to cut where it has not cut for the longest time.

4.1.2 To use irregular mowing

The product operates the complete scheduled time with irregular mowing.

- Decrease the scheduled time or use the *Weather timer* function to prevent wear on the grass. Refer to *Weather timer on page 22*.
- If the cutting result is not satisfactory, increase the scheduled time. Refer to *To calculate the schedule setting for irregular mowing on page 21*.
- With 2 or more parallel schedules in different work areas, the product first starts to cut 1 work area.

After each charging of the product, the product starts to cut another work area.

4.1.3 To calculate the schedule setting for irregular mowing

1. Calculate the dimension of your lawn in m^2 / ft^2 .
2. Divide the m^2 / ft^2 of the lawn with the approximate operation capacity. Refer to table below.
3. The result is equal to the number of hours that the product must operate each day.

Note: The operation capacity is approximate and is calculated for flat and open work area. If the work area has a lot of slopes or obstacles, you need to increase the *Schedule* settings.

Model	Approximate operation capacity, $m^2/h / ft^2/h$
Automower® 320	92 / 990
Automower® 430X	133 / 1430
Automower® 450X	208 / 2240

Example: A lawn of $1000 m^2 / 10700 ft^2$, cut with an Automower® 320.

$$1000 m^2 / 92 \approx 11 h.$$

$$10700 ft^2 / 990 \approx 11 h.$$

Days / week	h / day	Schedule settings
7	11	07:00-18:00 / 7:00 am-6:00 pm

4.2 Cutting height



4.2.1 Adjust the cutting height

The cutting height can be adjusted from 2 cm / 0.8 in. to 6 cm / 2.4 in.



CAUTION: The first weeks after a new installation, the cutting height must be set to 6 cm / 2.4 in. to prevent damage to the loop wire. The cutting height can then be lowered each week.

4.2.2 TargetHeight

Use the `TargetHeight` function to lower the cutting height from the maximum cutting height to the specified cutting height gradually during 10 days. If you change the cutting height manually during this time it will disable the `TargetHeight` function.

4.3 Operation

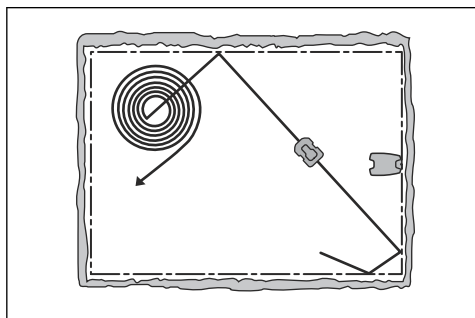


In *Operation* you can change the operation settings of the product.

4.3.1 Spiral cutting

Spiral cutting is only applicable for work areas with irregular pattern. If the product enters an area where it senses the grass is longer than average, it can change the movement pattern to *Spiral cutting*. This means that the product mows in a spiral pattern to faster cut the area with longer grass. It is possible to set the intensity of the *Spiral cutting*. *Very low / Low* intensity means that *Spiral cutting* begins less often. *High / Very high* intensity means that *Spiral cutting* begins more often.

Note: *Spiral Cutting* does not start in slopes steeper than 17%.



4.3.2 Object avoidance

Object avoidance is only available for Automower® 430X/450X NERA.

The products senses objects on the lawn that is higher than the grass with the *Object avoidance* function enabled. When the product senses an object on the lawn, the product turns and continues to cut in a different direction. You can disable the *Object avoidance* function if it is unsatisfactory for your work area.

Note: *Object avoidance* can cause that the grass is not cut around objects. The sensors can also sense high grass or flowers in the work area as objects.

4.3.3 Weather timer

Weather timer automatically adjust the cutting time to the growth of the grass. *Weather timer* adjusts the cutting time only for work areas with irregular pattern. The product is not permitted to operate more than the schedule settings.

Note: When using *Weather timer*, it is recommended to make as much operating time as possible available for *Weather timer*. Do not restrict the schedule more than necessary.

The first operation of the day is set by the schedule settings. The product completes 1 mowing cycle per scheduled work area, then the *Weather timer* selects if the product continues to operate.

Note: *Weather timer* is reset if the product does not operate for more than 50 hours, or if a *Reset of all user settings* is done. *Weather timer* is not changed if a *Reset of schedule settings* is done.

4.3.4 ECO mode

ECO mode disables the signal in the boundary wire, guide wire and the charging station, when the product is parked or is charging. The LED indicator of the charging station flashes green when the loop signal is disabled.

Note: Use *ECO mode* to save energy and to prevent interference with other equipment, for example hearing loops or garage doors.

Note: To start the product manually in the work area you must first enable the loop signal.

4.3.4.1 To enable the loop signal

1. Set the product to ON.
2. Put the product in the charging station.
3. Push the **STOP** button.
4. Wait 2 seconds and then remove the product from the charging station.
5. Make sure that the LED indicator of the charging station is solid green.
6. Put the product where you want it to start to cut.

4.4 Installation



In *Installation* you can change the installation settings of the product.

4.4.1 To find the charging station

The product can be set to search for the charging station in 3 methods:

- *Charging station signal*
- *Follow boundary wire*
- *Follow guide wire*

The factory setting is set to use the 3 search methods at the same time. Use the factory setting to find the charging station as fast as possible and to keep the risk of tracks on the lawn to a minimum. The product always starts to search for the *Charging station signal*. After a specified time interval, it also uses *Follow guide* and *Follow boundary wire*.

Causes why the product cannot follow the wire:

- Obstacles near the wire have not been isolated.
- The charging station, the boundary wire or the guide wire are not installed according to the instructions in *To install the charging station on page 17*, *To install the boundary wire on page 18* and in *To install the guide wire on page 19*.

4.4.1.1 Charging station signal

For some installations it is necessary to decrease the signal of the charging station. For example when the charging station is put near an obstacle, such as a bush or a wall. The product finds the charging station signal on the other side of the obstacle and tries to find the charging station, but the object prevents it to go to the charging station. You can set the charging station signal to *min*, *avg* or *max*.

Note: Husqvarna recommends to set the charging station signal to *max*. It is usually better to move the charging station, than to decrease the range of the charging station signal.

4.4.1.2 Follow guide wire and boundary wire

The time interval can be set for when the product starts to follow the boundary wire and guide wire to find the charging station.

4.4.2 Lawn coverage

4.4.2.1 GPS assisted navigation

The product has *GPS Assisted Navigation* that helps the product to select the most optimal operation. This function is enabled from the factory. If you want to do manual settings for your lawn, disable the *GPS Assisted*

Navigation and make settings for *Area 1-5*. Disable the *GPS Assisted Navigation* if you want to use the *Systematic Passage Mowing* function and make settings for *Area 1-5*. Refer to *Settings for Area 1-5 on page 23*.

4.4.2.2 Settings for Area 1-5

Use this function if the work area includes remote parts that are connected with narrow passages to keep a satisfactorily cut work area. The *Lawn Coverage* function is used to cut remote parts of the work area. The *Systematic Passage Mowing* function is used to cut in narrow passages. A guide wire must be installed to use these functions. You can set a maximum of 5 remote areas where the product starts to cut.

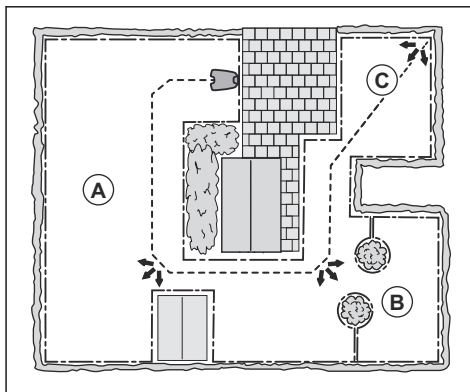
The *Systematic Passage Mowing* function is applicable for narrow passages of 60 cm - 1.5 m / 23 in. - 4.9 ft. width. The product moves in a pattern to cut the full passage width. The product starts the *Systematic Passage Mowing* at the set distance from the charging station. When the product is at the end of the narrow passage, the product continues to cut the work area as usual.

You can set the product to follow the guide wire to the set specified distance before it starts to cut.

Area A, approximately 50%

Area B, approximately 30%

Area C, approximately 20%



Each area can be enabled or disabled. Use the *Test* function to measure the distance from the charging station to where the product must start to cut. Refer to *To measure the distance from the charging station on page 24*.

The default settings lets the product follow the guide wire 300 m / 980 ft. in 20% of the times it moves out from the charging station. If the guide wire is less than 300 m / 980 ft. the product will follow it to the point where the guide wire is connected to the boundary wire.

4.4.2.3 To measure the distance from the charging station

The product follows the guide wire to measure the distance to the charging station.

1. Put the product in the charging station.
2. Select *Test: Area 1 setup* or *Test: Area 2 setup* to measure the distance.
3. Push the **STOP** button to show the distance in the app.

4.4.3 Corridor width

The boundary wire corridor is the area adjacent to the boundary wire. The product uses the corridors to find the charging station. The corridor width is adjusted automatically. If it is necessary to adjust the corridor width manually for the product to operate satisfactorily, you can set the corridor width between 1-9.

4.4.4 Reversing distance

The reversing distance makes the product move in reverse for a set distance, before the product starts to cut the lawn.

4.4.5 Drive Past Wire function

The front of the product always moves past the boundary wire by a specified distance. Then the product moves rearward and changes direction. The factory setting is 32 cm / 13 in. You can select a distance of 25-50 cm / 10-20 in.

Note: If you change the distance for *Drive Past Wire*, the distance will change along the boundary wire in all parts of the work area.

4.5 Accessories



In *Accessories* you can change the settings of the product accessories.

4.5.1 Headlights

Headlights is only available for Automower® 430X/450X NERA.

There are 4 different headlight settings that control when the headlights are on:

- *Always on*
- *Evening only (19:00-00:00)*
- *Evening and night (19:00-07:00)*
- *Always off*

The default setting is *Always on*. The headlights can be set to flash if there is an error.

4.5.2 To avoid collisions with the Automower® house

When this option is enabled, the wear on the product and the Automower® house is reduced, but it can result in more uncut grass around the charging station.

4.6 General



In the *General* menu you can set the time and date, or reset to factory settings.

This menu is only available when your mobile device is connected to the product with Bluetooth®.

4.6.1 Time & date

The time and date can be changed manually, or by using the time and date from the mobile device.

4.6.2 Reset to factory settings

The user settings can be reset to factory settings.

Note: *PIN code, Loop signal, Messages and Date & Time* will not be reset.

4.7 Security



The security settings controls the PIN code, the GeoFence and other security functions. The correct PIN-code must be entered to get access to the *Security* menu.

This menu is only available when your mobile device is connected to the product with Bluetooth®.

4.7.1 New loop signal

The loop signal is randomly selected to create a unique link between the product and the charging station. In rare cases, there may be a need to generate a new signal, for instance if 2 adjacent installations have a very similar signal.

4.7.2 Change PIN code

You can change the PIN code. Make a note of the new PIN code in Memo. Refer to *Introduction on page 6*.

4.7.3 Theft protection

In the *Theft protection* menu it is possible to set the alarm duration and also what events should trigger the

alarm. The factory setting is to require PIN code and the alarm duration is 1 min.

4.7.3.1 Require PIN code

This function means that the product cannot be operated or controlled after the **STOP** button has been pushed without first entering the correct PIN code. If the incorrect PIN code is entered 5 times, the product is locked for a time. The lock is extended for each new incorrect try.

4.7.3.2 Alarm duration

There is a possibility to set how long the alarm signal should last. A setting between 1 and 10 minutes is possible.

4.7.3.3 STOP button pressed

If the alarm "STOP button pressed" is enabled, the alarm goes off if someone presses the **STOP** button and the PIN code is not entered within 30 seconds.

4.7.3.4 Carried away

If the alarm *Carried away* is enabled, the product senses unexpected motions, and the alarm goes off.

4.7.4 GeoFence

GeoFence is a GPS-based theft protection that makes a virtual fence for the product. If the product is more than a set distance away from the center position the product will be disabled and an alarm will start. The center position sets to the current position of the product when GeoFence is enabled. The PIN code is necessary to stop the alarm and to start the product again. The GeoFence is only enabled when the product is set to ON.

4.8 Automower® Connect



In *Automower® Connect* you can enable or disable the Automower® Connect function. You can connect the product to a Wi-Fi network. You can also see the signal strength and connectivity status.

This menu is only available when your mobile device is connected to the product with Bluetooth®.

4.9 Messages

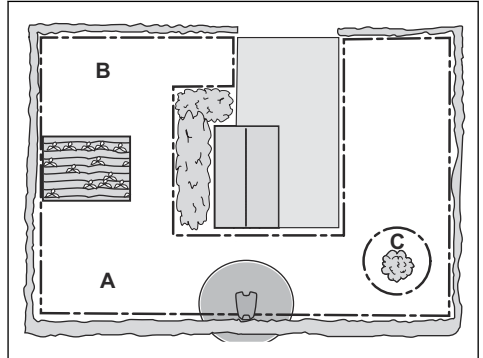
In this menu the previous fault and information messages can be found. For some of the messages, there are tips and advice to help to rectify the fault.

If the product is disrupted in any way, for example it is trapped or the battery is low, a message is saved relating to the disruption and the time it happened.

If the same message is repeated several times, this may indicate that an adjustment to the installation or the product is required. Refer to *Installation on page 12*.

4.10 Automower® Intelligent Mapping (AIM)

Automower® Intelligent Mapping (AIM) is available in the Automower® Connect app. The technology uses different sensors, GPS included, in the product. The precision of the map is approximately 1 m / 3.3 ft.



Some of the functions with AIM are:

- It shows a map of the lawn in Automower® Connect app with charging station, boundary wire, guide wire and islands.
- You can make work areas (A) and (B) in the installation where you can set a schedule and cutting height for each work area.
- You can make stay-out zones (C) in which the product cannot enter and cut grass.

Note: With the AIM function you can set work areas and stay-out zones with a precision of approximately 1 m / 3.3 ft.

The data collection for the AIM map starts automatically. The product collects data while it operates and the map is completed in 1-2 weeks. Remove temporary obstacles on the lawn when the product operates and collects data. If you change the installation of the wires or charging station, you must do a new map. Read more about AIM in the Automower® Connect app.

4.11 Download firmware over the air FOTA (Firmware over the air)

The product has a function that automatically downloads new firmware. When a new firmware is available, a notification shows in the app where you can select to install the new firmware. The LED indicator of the product pulsates when the firmware update is ongoing. If the product does not use cellular connectivity, it

downloads new firmware when it is parked in the charging station. The product must have Wi-Fi coverage in the charging station to download new firmware.

4.12 Mowing profiles

You can save different sets of settings in the *Mowing profiles*. Use this function when you use one product for more than one location or to have different settings on the same location. In the *Mowing profiles* the product settings, map objects and their settings are saved.

4.13 To reinstall the charging station on the map

Reinstall the charging station on the map if you move or replace the charging station. You can also reinstall it if the product cannot dock or connect to the charging station.

1. Select *Map objects > Charging station* in the app.
2. Select *Reinstall charging station* and follow the instructions.

Note: Other devices with Bluetooth® enabled can cause interference with the pairing operation. Disable Bluetooth® on the other devices if it causes interference with the pairing operation.

4.14 To reinstall the reference station on the map

Reinstall the reference station on the map if you move or replace the reference station.

1. Select *Map objects > Reference station* in the app.
2. Select *Reinstall reference station* and follow the instructions.

Note: If you move the reference station, you must make a factory reset and install all the maps again.

5 Operation

The most frequently used operation settings are included in the Automower® Access, refer to *Automower® Access on page 6*. All operating modes are available in the Automower® Connect app.

5.1 To set the product to ON



WARNING: Read and understand the safety chapter before you use the product.

- Push the **jog wheel** for 3 seconds.
- Use the **jog wheel** to enter the PIN code.

5.2 To start the product

1. Push the **STOP** button.
2. Use the **jog wheel** to enter the PIN code.
3. Use the **jog wheel** to select the operating mode. Refer to *Operating modes - Start on page 27*.
4. Push the **START** button.

Note: If the product is parked in the charging station, the product will start to operate when the battery is fully charged and the *Schedule* settings is set for operation.

Note: The first weeks after installation the perceived sound level when cutting the grass may be higher than expected. When the product has cut the grass for some time, the perceived sound level is much lower.

5.2.1 Operating modes - Start

5.2.1.1 Main area

Use the operating mode *Main area* for the product to cut and charge automatically.

5.2.1.2 Secondary area

Use *Secondary area* operating mode to cut secondary areas. You must move the product manually between the main area and the secondary area. The product cuts for a selected period of time or until the battery is empty.

Note: You must put the product manually in the charging station to charge the product when it is in a secondary area. The product will move out from the charging station and stop when the battery is charged. You must select an operating mode to start the product.

Note: If you will cut the main area after the battery is charged, set the product to *Main area* mode before you put the product in the charging station.

5.2.1.3 Override schedule

Use the operating mode *Override schedule* to temporarily override the *Schedule* settings for *24h* or *3 days*.

Note: It is not possible to cut more than the maximum cutting time for each day. Refer to *Product description on page 6*.

5.3 To park the product

1. Push the **STOP** button.
2. Use the **jog wheel** to enter the PIN code.
3. Use the **jog wheel** to select the park mode. Refer to *Operating modes - Park on page 27*.
4. Push the **START** button.

5.3.1 Operating modes - Park

5.3.1.1 Park until further notice

Use the operating mode *Park until further notice* for the product to go back to the charging station. The product will stay in the charging station until you select a new operating mode.

5.3.1.2 Start on next schedule

Use the operating mode *Start on next schedule* for the product to go back to the charging station. The product will stay in the charging station until the next *Schedule* setting.

5.3.1.3 Select duration

The product goes back to the charging station and stays for the selected park duration. Use the operation selection to temporary stop an ongoing mowing cycle and let the product to stay in the charging station.

5.3.1.4 Park at maintenance point (EPOS™ installation only)

You can park the product at the maintenance point to do maintenance on the product. The product is parked at the maintenance point until you select a new operation mode.

5.4 To stop the product

1. Push the **STOP** button to make the product and the cutting motor stop.

5.5 To set the product to OFF

1. Push the **STOP** button to stop the product.
2. Enter the PIN code if it is necessary.
3. Push the **jog wheel** for 3 seconds to set the product to OFF. You can also use the jog wheel to select *Power off* in the menu in the display.
4. Make sure that the LED indicator on the jog wheel is not lit.

5.6 To charge the battery

When the product is new or after long-term storage, the battery can be empty. Charge the battery before you start the product. In the *Main area* mode, the product cuts and charges automatically.

1. Set the product to ON.
2. Put the product into the charging station until the charging plates touch the contact plates.
3. Do a check that the product charges in the display of the product or in the Automower® Connect app.

6 Maintenance

6.1 Introduction - maintenance



WARNING: Set the product to OFF before you do maintenance on the product.



WARNING: Use protective gloves.

For better operation and lifetime of the product, make sure to clean the product regularly and replace worn parts.

When the product is new, examine the blade discs and blades each week. If the wear is low, you can increase the interval for the next time you examine the blade discs and blades. Examine the blade discs and the blades more regularly if there is much wear.

It is important that the blade disc rotates easily and that the edges of the blades are not damaged. The usual lifetime of the blades are 3 to 6 weeks. The conditions that follow can increase or decrease the lifetime of the blades:

- Operation time and dimension of the work area.
- Length and thickness of the grass.
- Soil, sand and use of fertilizers.
- Objects such as cones, tools, stones and roots in the work area.

Note: The cutting result can be unsatisfactory if the blades are blunt. Refer to *Replacement of the blades on page 31* on how to replace the blades.

6.2 Maintenance schedule

The maintenance schedule shows how to do servicing and maintenance on the product. Follow the maintenance schedule for a better operation and to increase the lifetime of the product.

X = The instructions are given in this operator's manual.

O = The instructions are not given in this operator's manual. Speak to your approved servicing dealer.

To prepare	Weekly	Every year	Every third year
Clean the product. Refer to <i>Clean the product on page 30</i> .	X		
Examine the product for damage and wear.	X		
Do an update of the firmware.		O	
Do a check of the servicing messages for recommended upgrades.		O	
Servicing			
Examine the blades and replace the blades and blade screws if it is necessary. Refer to <i>Replacement of the blades on page 31</i> .	X		
Examine and polish the contact plates on the charging station.		X	
Examine and polish the charging plates on the product.		X	
Charge the battery fully before you put the product into storage. Refer to <i>To charge the battery on page 28</i> .		X	
Examine the wheels for wear.		O	
Examine and clean the collision columns. Do a check of the tightening torque on the front and rear collision columns.		O	
Make sure that the product is docking and charging correctly.		O	
Examine the cable and connector to the charging plates on the body of the product.		O	

To prepare	Weekly	Every year	Every third year
Examine the skid plate and skid plate bearing.		○	
Examine the rubber bellows in the cutting height adjustment system.		○	
Examine the rubber bellows for the collision columns.		○	
Replace the rubber bellows for the collision columns.			○
Examine and clean the airflow filter.		○	
Replace the airflow filter.			○
Do a check of the tightening torque of chassis screws.		○	
Open the chassis and replace all sealing strips.			○
Last step			
Use a software service tool to do a function test of the functions of the product.		○	

6.3 Clean the product



CAUTION: Do not use a high-pressure washer to clean the product. Do not use solvents for cleaning.

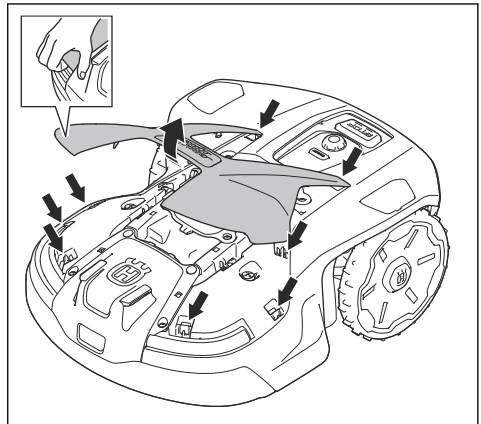
The product does not operate satisfactorily in slopes if the wheels are blocked with grass. Clean the product with a brush or running water from a water hose.

Husqvarna recommends to use a special cleaning and maintenance kit. Speak to your Husqvarna servicing dealer for more information.

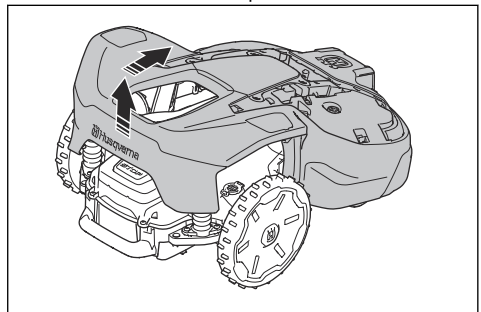
6.3.1 To clean the body, chassis and blade disc

Examine the blade disc and blades weekly. To clean the product fully, the top cover and the body of the product can be removed. If the product is dirty, use a weak soap solution if necessary. Use a brush or a water hose to clean the product. Do not use a high-pressure washer to clean the product.

1. Set the product to OFF.
2. Carefully pull the top cover at the rear, the middle and the front.

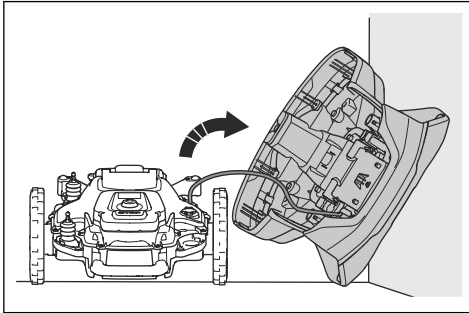
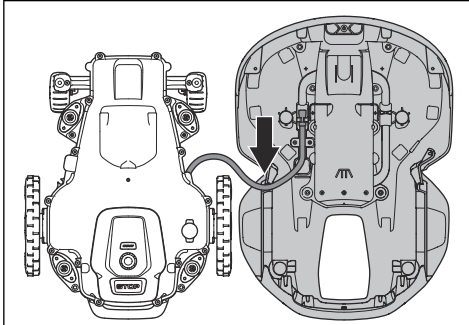


3. Hold the chassis with one hand and remove the body with a fast and short pull upwards and towards the front of the product.

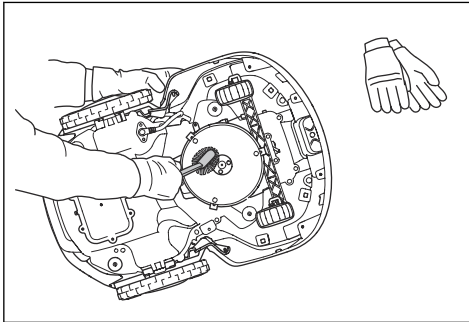


WARNING: If your hands come between the body of the product and the chassis, there is a risk of injury.

4. Put the body of the product adjacent to the chassis of the product or tilt it against a wall.



5. Put the product onto its side.

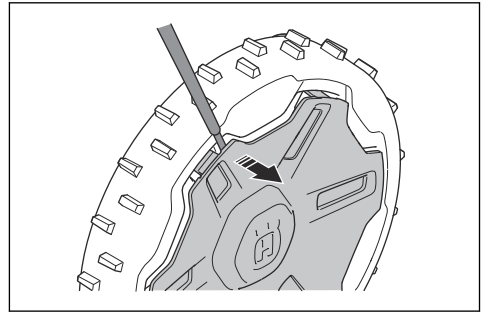


6. Clean the blade disc bellows for the blade disc and chassis with a brush. At the same time, make sure that the blade disc rotates freely. Make sure that the blades are not damaged and can pivot freely.

6.3.2 To clean the wheels

The product does not operate satisfactorily in slopes if the wheels are blocked with grass.

- Use a soft brush to clean the wheels.
- If it is necessary, remove the wheel cover with a flat screwdriver.



6.3.3 To clean the charging station



WARNING: Disconnect the power supply from the power outlet before maintenance, or when you clean the charging station or power supply.

- Remove grass, twigs and other objects from the charging station.
- Use a brush or a water hose to clean the charging station.

6.4 Battery



CAUTION: Charge the battery fully before you put the product into storage. If the battery is not fully charged it can cause damage to the battery.

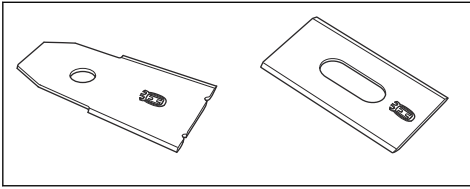
If the operating time of the product is shorter than usual between charges, this means that the battery is at the end of its life cycle. Replace the battery to extend the operating time.

Note: The battery life is related to the length of the season and how many hours a day the product operates. A long season or many hours of operation a day means that the battery must be replaced more regularly.

6.5 Replacement of the blades



WARNING: Husqvarna can only guarantee safety if you use Husqvarna original blades with the embossed crowned H-mark logotype.

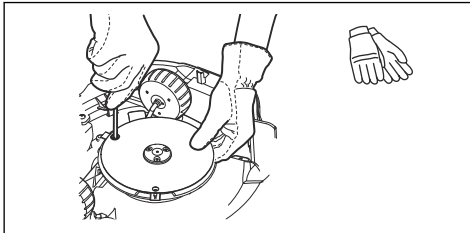


WARNING: You must replace the screws when you replace the blades. The used screws can wear quickly and make the blade come loose, this can cause serious injury.

Replace worn or damaged blades for a safe operation. Replace the blades regularly for a satisfactory cut result and a low energy use. All 3 blades and screws must be replaced at the same time to get a balanced cutting system.

6.5.1 To replace the blades

1. Set the product to OFF.
2. Put the product with the blade disc up on a clean and soft surface.
3. Rotate the skid plate until the holes align with the screws for the blade.
4. Remove the 3 blades and 3 screws.



5. Attach new blades and screws.
6. Make sure that the blades can move freely.

7 Troubleshooting

7.1 Messages

The messages in the table below are shown in Automower® Connect and Automower® Access. Speak to your Husqvarna representative if the same message shows frequently.

Message	Cause	Action
<i>Wrong PIN code</i>	An incorrect PIN code has been entered. 5 tries are permitted, and the product is then blocked for a period of time.	Enter the correct PIN code. Speak to your local Husqvarna representative if you forget the PIN code.
<i>Wheel motor blocked, left/rear left/right/rear right</i>	The drive wheel is blocked by grass or other objects.	Examine the drive wheel and remove the grass or other object.
<i>Wheel motor overloaded, left/right</i>		
<i>Wheel drive problem, right/left</i>	The drive wheel is blocked by grass or other objects.	Examine the right drive wheel and remove the grass or other objects. If the problem stays, speak to your authorized service center.
<i>Cutting system blocked</i>	The cutting system is blocked by grass or other objects.	Examine the cutting system and remove the grass or other objects.
<i>Cutting system major imbalance</i>	There is vibrations in the blade disc.	Continued operation can cause damage to the cutting system. Make sure that the blades and screws are not damaged or worn. Make sure that all blades are correctly installed and that there is only one blade attached in each position on the blade disc.
		Clean the blades and the cutting disc.
<i>Cutting height blocked</i>	Grass or other objects is wound around the cutting height adjustment, or between the blade disc and chassis.	Examine the blade disc and the bellows around the cutting height adjustment, and remove any grass or other objects that may have got stuck.

Message	Cause	Action
<i>No loop signal</i>	There is no power in the charging station. The LED indicator on the charging station is not on.	Examine if the power supply unit or the low-voltage cable is damaged or not installed correctly to the power outlet or the charging station. Examine if there is a power failure or if a residual-current device is enabled.
	The boundary wire is damaged or not installed correctly.	Make sure that the boundary wire is connected correctly to the charging station. Examine all splices on the boundary wire. Examine if there is a break in the boundary wire and repair if necessary. Refer to <i>To install the boundary wire on page 18</i> .
	<i>ECO mode</i> is enabled and the loop signal is disabled when the product is started in the work area.	Put the product in the charging station and start the product. To start the product manually in the work area, push the STOP button before you remove the product from the charging station.
	The boundary wire is crossed on its way to and from an island.	Make sure that the boundary wire is put down correctly. Refer to <i>To install the charging station on page 17</i> .
	The product does not find the loop signal from the charging station.	Put the product in the charging station and generate a new loop signal. Refer to <i>New loop signal on page 24</i> .
	Disturbances from metal objects (fences, reinforcement steel) or buried cables close by.	Try to move the boundary wire and/or make more islands in the work area to increase the signal strength.
	The product is too far from the boundary wire.	Redo the installation of the boundary wire so that all parts of the work area is maximum 35 m / 115 ft. from the boundary wire.
<i>Outside work area</i>	The boundary wire connections to the charging station are crossed.	Make sure that the boundary wire is connected correctly to the charging station. Refer to <i>To install the boundary wire on page 18</i> .
	The boundary wire is too close to the edge of the work area.	Make sure that the boundary wire is put down correctly. Refer to <i>To install the boundary wire on page 18</i> .
	The work area is too steep by the boundary wire.	
	The boundary wire around an island is not installed correctly. The boundary wires are crossed.	
	Disturbances from metal objects (fences, reinforcement steel) or buried cables close by.	Try to move the boundary wire and/or make more islands in the work area to increase the signal strength.
	The product cannot find the correct loop signal because of interference with a loop signal from a different product installation nearby.	Put the product in the charging station and generate a new loop signal. Refer to <i>New loop signal on page 24</i> .
<i>Upside down</i>	The product is leaning too much or has turned over.	Turn the product the right way up.
<i>Mower tilted</i>	The product tilts too much.	Move the product to a level area.

Message	Cause	Action
<i>Lifted</i>	The lift sensor has been enabled because the product has been lifted.	Make sure that the body of the product can move freely around its chassis. Remove or make an island around objects that can cause the body to be lifted. If the problem stays, speak to your authorized service center.
<i>Trapped</i>	The product is blocked in a small area behind a number of obstacles.	Examine if there are obstacles which make it hard for the product to move away from this location.
<i>Slipped</i>	The product slips because there is an obstacle.	Remove the obstacle.
	The product slips because of wet grass.	Wait until the lawn is dry before you start the product again.
	The product has hit an obstacle and stopped or the wheels cannot move on the wet grass.	Free the product and rectify the reason for the lack of drive. If it is due to wet grass, wait until the lawn has dried before using the product.
	The product slips because the slope is too steep.	Isolate the steep slope with boundary wire. Refer to <i>To put the boundary wire in a slope on page 14</i> .
	The product slips because the slope is too steep when it follows the guide wire.	Make sure that the guide wire is installed diagonally in the slope. Refer to <i>To put the boundary wire in a slope on page 14</i> .
<i>Collision</i>	The body of the product cannot move freely around its chassis.	Make sure that the body of the product can move freely around its chassis. Examine that the body of the product is correctly installed and there is no dirt blocking it. If the problem stays, speak to your authorized service center.
<i>Alarm! Mower stopped</i>	The alarm was started because the product was stopped.	Enter the PIN code to disable the alarm. The settings for the alarm can be changed in the <i>Security</i> menu. Refer to <i>Alarm duration on page 25</i> .
	The alarm was started because the product was lifted.	
	The alarm was started because the product was tilted.	
<i>Alarm! Mower was moved</i>	The alarm was started because the product was moved.	
<i>Alarm! Outside GeoFence</i>	The alarm was started because the product was outside the GeoFence.	
<i>Temporary problem</i>	Temporary electronic or firmware problem in the product.	Update the firmware via FOTA. Restart the product. If the problem stays, speak to your authorized service center.

Message	Cause	Action
<i>Electronic problem</i>	Temporary electronic or firmware problem in the product.	Restart the product. If the problem stays, speak to your approved servicing dealer.
<i>Loop sensor problem</i>		
<i>Tilt sensor problem</i>		
<i>Invalid sub-device combination</i>		
<i>STOP button problem</i>		
<i>Connectivity problem</i>		
<i>Safety function faulty</i>		
<i>Invalid system configuration</i>		
<i>Lift sensor problem</i>		
<i>Collision sensor problem</i>		
<i>Radar problem</i>		
<i>Temporary battery problem</i>		
<i>Battery problem</i>	Temporary battery or firmware problem in the product.	Restart the product. If the problem stays, speak to your approved servicing dealer.
	Incorrect type of battery.	Use only original batteries recommended by the manufacturer.
<i>Empty battery</i>	The product cannot find the charging station.	Change the position of the guide wire. Refer to <i>To install the guide wire on page 19</i> .
		Do a check of the installation settings about how to find the charging station. Refer to <i>To find the charging station on page 23</i> .
	The battery is at the end of its life cycle.	Speak to your authorized service center to replace the battery.
	The product cannot enter the charging station because the antenna in the baseplate of the charging station is damaged.	If the indicator lamp on the charging station flashes red, the antenna is damaged. Speak to your authorized service center.
	The product is in the charging station, but does not charge the battery.	Make sure that the charging plates on the product and the contact plates on the charging station are in contact. Clean the contact plates and charging plates.
<i>Battery needs replacement</i>	The battery state of health is low.	Replace the battery. Speak to your authorized service center.
<i>Battery near end of life</i>	The battery state of health is critically low.	Replace the battery. Speak to your authorized service center.

Message	Cause	Action
<i>Temperature restriction</i>	The product does not operate if the battery temperature is too high or too low.	The product starts to operate again when the temperature is between the set limits and the schedule settings let the product to operate. Make sure that the charging station is put in an area with protection from the sun.
<i>Charging current too high</i>	The battery charges with a too high current. The power supply unit is incorrect or damaged.	Make sure that the power supply unit and charging station are not damaged. Make sure the that you use the correct power supply unit and charging station. Restart the product. If the problem stays, speak to your authorized service center.
<i>Charging system problem</i>	There is corrosion or dirt on the charging plates and contact plates.	Restart the product. Clean the charging plates on the product and the contact plates on the charging station.
	Temporary electronic or firmware problem in the product.	Restart the product. If the problem stays, speak to your approved servicing dealer.
<i>No power in charging station</i>	The power supply unit is incorrect or damaged.	Examine the power supply unit. Replace if necessary.
	Power failure.	Find and correct the cause of the power failure.
	The product cannot charge because there is no contact between the contact plates and the charging plates.	Make sure that the charging plates and the contact plates are in contact. Clean the contact plates and charging plates.
<i>Charging station blocked</i>	The product cannot go into the charging station because it is blocked or the baseplate of the charging station is tilted or bent.	Examine why the product cannot go into the charging station. Remove any objects and make sure that the baseplate of the charging station is level.
	The product cannot go into the charging station because it is blocked or the baseplate of the charging station is tilted or bent.	Examine why the product cannot go into the charging station. Remove any objects and make sure that the baseplate of the charging station is level.
<i>Stuck in charging station</i>	The product cannot leave the charging station because it is blocked or it slips on the baseplate of the charging station.	Examine why the product cannot leave the charging station. Remove any objects and clean the baseplate of the charging station.
<i>FlexiFence problem</i>	The battery of the FlexiFence accessory is low. The FlexiFence accessory does not operate when the battery is empty. The product can cut in the stay-out zone if you start the product before you charge the FlexiFence accessory.	Park the product and charge the FlexiFence accessory before you start the product.
	The temperature in the FlexiFence accessory is a higher than the maximum limit and is set to off.	Put the product in an area with protection from the sun. Let the temperature of the FlexiFence accessory decrease before you start the product.
<i>Boundary wire problem</i>	The boundary wire for the <i>Support by wire</i> function is damaged or not installed correctly.	Examine that the boundary wire is connected correctly to the charging station. Examine all the splices on the boundary wire. Examine if the boundary wire is damaged and repair it if it is necessary.

Message	Cause	Action
<i>Accessory power problem</i>	There is a power problem with the accessory port.	Set the product to OFF and disconnect and connect the accessory to the accessory port. Set the product to ON. If the problem stays, speak to your service center.
<i>Unexpected cutting height adj</i>	The cutting height adjustment cannot move.	Examine the cutting height adjustment and remove grass or other objects. If the problem stays, speak to your approved servicing dealer.
<i>Limited cutting height range</i>		
<i>Cutting height problem</i>		
<i>Cutting system imbalance</i>	The product has discovered vibrations in the blade disc.	Make sure that the blades and screws are not damaged and worn. Make sure that all blades are correctly installed and that there is only one blade attached in each position on the blade disc. Clean the blades and the cutting disc.
<i>Guide 1 not found</i> <i>Guide 2 not found</i> <i>Guide 3 not found</i>	The guide wire you have installed before is not found.	Examine if the guide wire is not correctly connected to the charging station or the boundary wire. Examine if there is a break in the guide wire. Refer to <i>Finding breaks in the loop wire on page 41</i> .
<i>GPS navigation problem</i>	Problem with the GPS assisted navigation equipment.	Restart the product. If the problem stays, speak to your authorized service center.
<i>Weak GPS signal</i>	The GPS signal is blocked in large parts of the work area.	If possible, remove objects that can cause a blockage of the GPS signal.
		Disable the GPS navigation function and use the lawn coverage function. Refer to <i>GPS assisted navigation on page 23</i> .
<i>Slope too steep</i>	The product stopped because the slope is too steep.	Change the installation of the boundary wire to exclude this steep part of the work area.
<i>EPOS plug-in not found</i>	The EPOS Plug-in has been installed earlier, but cannot be found.	Make sure that the EPOS Plug-in is installed correctly and that the cable is connected. Restart the product. If the problem stays, speak to your authorized service center.
<i>Charging station communication problem</i>	The mower cannot communicate with the charging station.	Create a new loop signal or reinstall your charging station under map view in the app. If the problem stays speak to your authorized service center.
	Power failure	Find and correct the cause of the power failure.
<i>Invalid firmware configuration</i>	The firmware in the product is not updated.	Update the firmware to the latest version.
<i>Map problem</i>	The map object file is incorrect.	Do a check of the map in the app. Adjust the map and save it.
		Delete the map and do a new installation.

Message	Cause	Action
<i>Destination not reachable</i>	The product cannot go to the destination because there is no guide wire or boundary wire in the work area.	Edit or make a new installation of the work area in the app and include a guide wire or a boundary wire in the work area.
	The product cannot go to the destination because of a stay-out zone.	Edit or remove the stay-out zone or make a new installation of the work area.
<i>Destination blocked</i>	The product cannot go to the destination because of an obstacle.	Remove the obstacle.

7.2 LED indicator of the charging station for boundary wire installation

The LED indicator of the charging station is green when the installation is correct. If the LED indicator of the charging station is not green, follow the troubleshooting table below.

Speak to your local Husqvarna representative or go to www.husqvarna.com for more information.

LED indicator	Cause	Action
Constant green	The signals of the charging station are good.	No action is necessary.
Flashes green	The signals of the charging station are good and <i>ECO mode</i> is enabled.	No action is necessary.
Flashes blue	The boundary wire is not connected to the charging station.	Connect the boundary wire to the charging station.
	The boundary wire is damaged.	Replace the damaged section of the boundary wire with new boundary wire.
Flashes red	Interference in the antenna of the charging station.	Speak to your local Husqvarna representative.
Constant red	Error in the circuit board or incorrect power supply in the charging station.	The error must be corrected by an authorized service technician. Speak to your local Husqvarna representative.

7.3 Symptoms

If the product does not operate as usual, follow the symptoms table below. Speak to your Husqvarna customer service if you cannot find the cause for the fault.

Symptoms	Cause	Action
The product has difficulty docking.	The guide wire is not put straight in a line and correct distance from the charging station.	Do a check of the installation of the charging station. Refer to <i>To install the charging station on page 17</i>
	The guide wire is not put in the slot in the charging station plate.	Make sure that the guide wire is put straight in a line and put in the slot in the charging station plate. Refer to <i>To install the guide wire on page 19</i> .
	The charging station is not on a level surface.	Put the charging station on a level surface. Refer to <i>To examine where to put the charging station on page 12</i> .
The product operates at the wrong time	The time or the date in the product is not correct.	Set the time or date. Refer to <i>Time & date on page 24</i> .
	The start and stop times for operating are incorrect.	Change the <i>Schedule</i> settings. Refer to <i>Schedule on page 21</i> .
The product vibrates.	The cutting system is not in balance because of damaged blades.	Examine the blades and screws and replace them if necessary. Refer to <i>Replacement of the blades on page 31</i> .
	The cutting system is not in balance because of too many blades in the same position.	Do a check that only one blade is attached at each screw.
	Different thickness of blades are installed on the product.	Do a check if the blades are of different thickness and replace if necessary.
The product operates, but the blade disc does not rotate.	The product searches for the charging station, or is moving to the starting point.	Usual operation for the product. The blade disc does not rotate when the product is searching for the charging station.
The product operates for shorter periods than usual between charges.	Grass or other object causes a blockage to the blade disc.	Remove and clean the blade disc. Refer to <i>To clean the body, chassis and blade disc on page 30</i> .
	The battery is at the end of its life cycle.	Replace the battery. Refer to <i>Battery on page 31</i> .
	Blunt blades. More energy is necessary when cutting the grass.	Replace the blades. Refer to <i>Replacement of the blades on page 31</i> .
Mowing and charging times are shorter than usual.	The battery is at the end of its life cycle.	Replace the battery. Refer to <i>Battery on page 31</i> .

Symptoms	Cause	Action
The product is parked for hours in the charging station.	The product has operated the maximum cutting time for the day.	No action. Refer to <i>Schedule on page 21</i> .
	The hatch is closed but the START button is not pushed.	Push the STOP button to open the hatch. Enter the PIN code and confirm with the OK button. Push the START button and then close the hatch.
	Parking mode is enabled.	Change the operating mode. Refer to <i>Operating modes - Start on page 27</i> .
	The product does not operate if the battery temperature is too high or too low.	Make sure that the charging station is put in an area with protection from the sun.
Uneven mowing results.	The product operates for a small number of hours per day.	Increase the cutting time. Refer to <i>Schedule on page 21</i> .
	For the shape of the work area it is necessary to adjust the settings for <i>Lawn Coverage</i> to cover all parts of the work area.	Change the settings of the areas where the product starts to cut and how often. Refer to <i>GPS assisted navigation on page 23</i> .
	The work area is too large.	Decrease the size of the work area or extend the schedule. Refer to <i>Schedule on page 21</i> .
	Blunt blades.	Replace all the blades. Refer to <i>Replacement of the blades on page 31</i> .
	Long grass in relation to the set cutting height.	Increase the cutting height and then lower it when the grass is shorter.
	Collection of grass by the blade disc or around the motor shaft.	Remove the collection of grass and clean the product. Refer to <i>To clean the body, chassis and blade disc on page 30</i> .
The battery is empty and you put the product in the charging station, but it does not charge and cannot be set to ON.	If the battery has been deeply discharged, it will take a long time to charge the battery and before the product can be set to ON.	Keep the product in the charging station for 24 hours and test if the product can be set to ON. If the problem remains, speak to your authorized service technician.

7.4 Finding breaks in the loop wire

Breaks in the loop wire are usually the result of unintentional physical damage to the wire such as when gardening with a shovel. In countries with ground frost, also sharp stones that move in the ground can damage the wire. Breaks can also occur due to the wire being stretched excessively during installation.

Mowing the grass too low right after the installation can damage wire insulation. Damage to the insulation may not cause disruptions until several weeks or months later.



CAUTION: Always select the maximum cutting height the first weeks after installation and then lower the height one step at a time every second week until the desired cutting height has been reached.

A damaged splicing of the loop wire can also lead to disruptions several weeks after the splice was done. A faulty splice can, for example, be the result of the coupler not being pressed together hard enough with a pair of pliers, or that a coupler of lower quality than the original coupler has been used.

Note: Please first check all known splices before further troubleshooting is done.

A wire break can be located by gradually halving the distance of the loop where the break may have occurred until there is only a very short section of the wire left.

The following method does not work if *ECO mode* is activated. Make sure first that *ECO mode* is turned off. Refer to *ECO mode on page 22*.

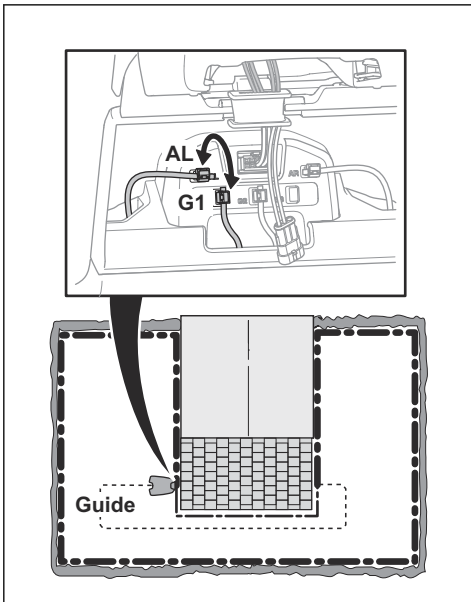
1. Check that the indicator lamp in the charging station flashes blue, which indicates a break in

the boundary loop. Refer to *LED indicator of the charging station for boundary wire installation on page 39*.

2. Check that the boundary wire connections to the charging station are properly connected and not damaged. Check that the indicator lamp in the charging station is still flashing blue.
3. Switch the connections between the guide wire and the boundary wire in the charging station.

Start by switching connection AL and G1. Some models have additional guide wires. The same procedure can be followed for them.

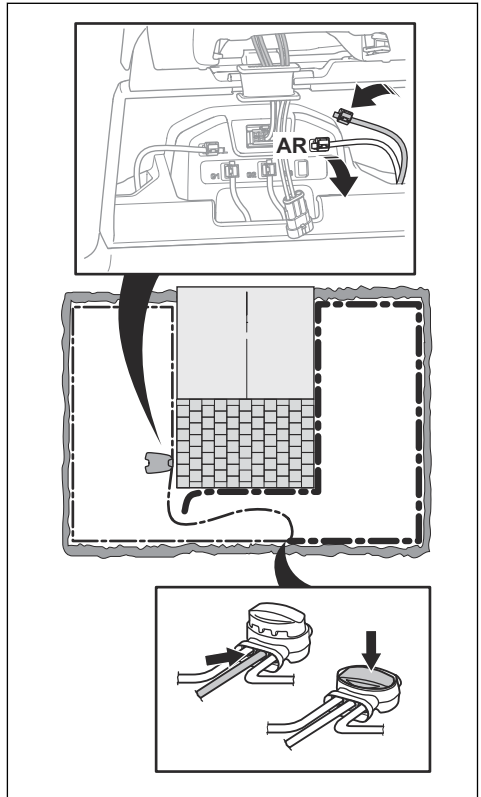
If the indicator lamp is lit with a solid green light, then the break is somewhere on the boundary wire between AL and the point where the guide wire is connected to the boundary wire (thick black line in the illustration).



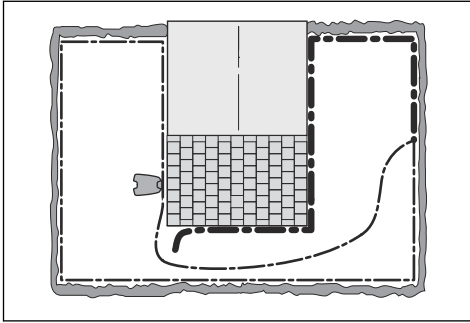
To rectify the fault you will need boundary wire, connector(s) and coupler(s):

- a) If the suspected boundary wire is short then it is easiest to exchange all of the boundary wire between AL and the point where the guide wire is connected to the boundary wire (thick black line).
- b) If the suspected boundary wire is long (thick black line) then do as follows: Put AL and G1 back to their original positions. Then disconnect AR. Connect a new loop wire to AR. Connect the

other end of this new loop wire at the middle of the suspected wire section.

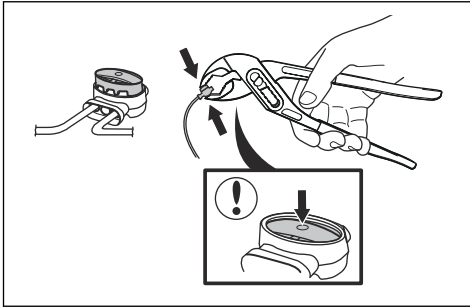


If the indicator lamp now is green, then the break is somewhere in the wire between the disconnected end to the point where the new wire is connected (thick black line below). In that case, move the connection for the new wire closer to the disconnected end (roughly at the middle of the suspected wire section) and check again if the indicator lamp is green.



Continue until only a very short section of the wire remains which is the difference between a solid green light and a flashing blue light. Then follow instruction in step 5 below.

4. If indicator lamp still flashes blue in step 3 above: Put AL and G1 back in their original positions. Then switch AR and G1. If indicator lamp now is lit with a solid green light then disconnect AL and connect a new boundary wire to AL. Connect the other end of this new wire at the middle of the suspected wire section. Follow the same approach as in 3a) and 3b) above.
5. When the break is found, the damaged section must be replaced with a new wire. Always use original couplers.



8 Transportation, storage and disposal

8.1 Transportation

The supplied Li-ion batteries obey the Dangerous Goods Legislation requirements.

- Obey all applicable national regulations.
- Obey the special requirement on package and labels for commercial transportations, including by third parties and forwarding agents.
- For how to remove the battery, refer to the complete Operator's manual on www.husqvarna.com.

8.2 To put the product into storage



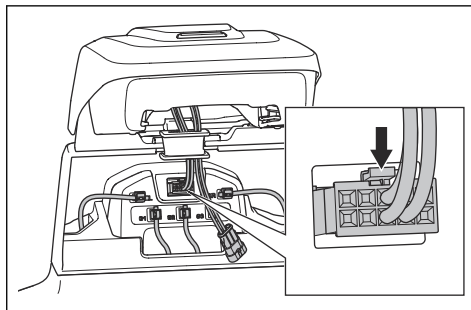
CAUTION: Charge the battery fully before you put the product into storage. If the battery is not fully charged it can cause damage to the battery.

- Charge the product fully. Refer to *To charge the battery on page 28*.
- Set the product to OFF. Refer to *To set the product to OFF on page 28*.
- Clean the product. Refer to *Clean the product on page 30*.
- Put the product in a dry, frost-free area.
- We recommend to put the product in the package of the product or put the product with all wheels on level ground. You can also hang the product on a Husqvarna wall hanger. Speak to your Husqvarna representative for more information about available wall hangers.

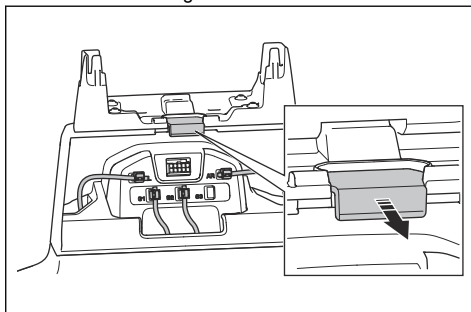
8.3 To put the charging station into storage

You can remove the top of the charging station and put it into storage. It is not necessary to put the baseplate of the charging station into storage.

1. Lift and tilt the top of the charging station and open the hatch.
2. Disconnect the power supply unit from the charging station and from the power outlet.
3. Disconnect the cable.



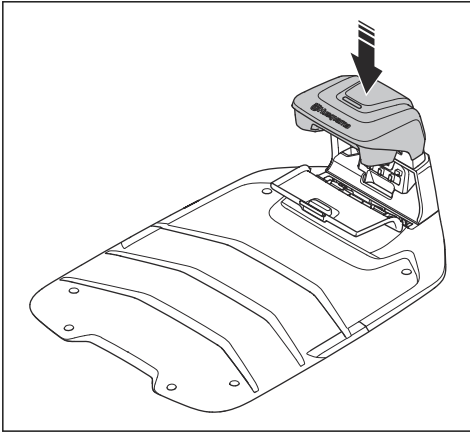
4. Remove the grommet with the cables.
5. Pull the top of the charging station up and remove it.
6. Close the sealing lid.



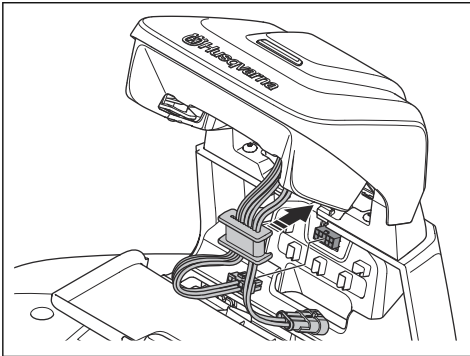
7. Close the hatch.
8. Put the power supply unit and the top of the charging station in a dry, frost-free area.

8.4 To install the charging station after storage

1. Open the hatch.
2. Push in the sealing lid.
3. Attach the top of the charging station.



4. Lift and tilt the top of the charging station.
5. Put the grommet with the cables into position.
6. Connect the cable to the charging station.



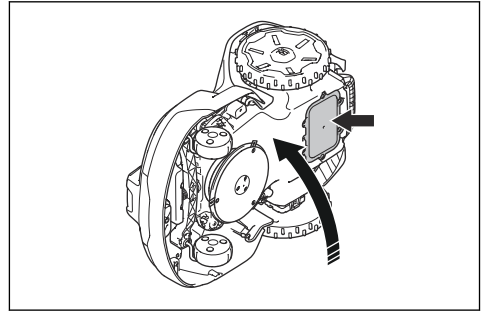
7. Connect the power supply unit to the power outlet and to the charging station.
8. Close the hatch.

8.5 Disposal

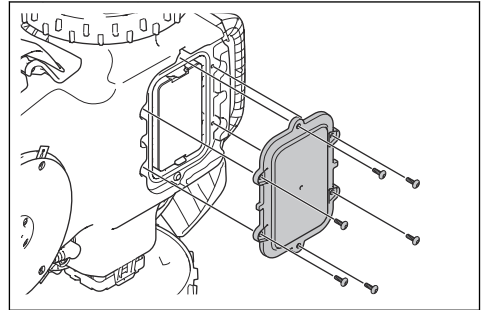
- Obey the local recycling requirements and applicable regulations.
- For questions about how to remove the battery, refer to *To remove the battery on page 45*.

8.5.1 To remove the battery

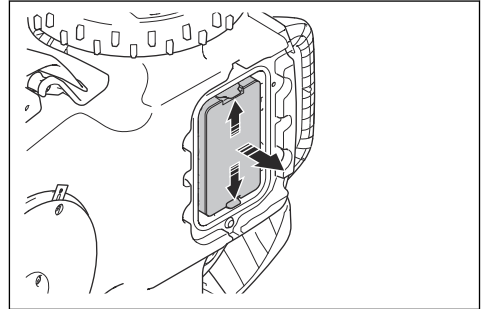
1. Set the product to OFF.
2. Put the product on its side.



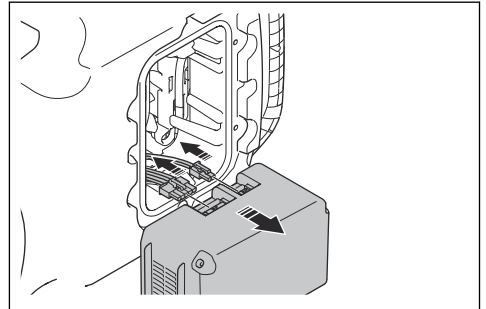
3. Remove the 6 screws for the battery cover.



4. Push the 2 clips and remove the battery.



5. Disconnect the battery cable.



9 Technical data

9.1 Technical data

Dimensions	Automower® 320 NERA	Automower® 430X NERA	Automower® 450X NERA
Length, cm/in.	75/29.6	75/29.6	75/29.6
Width, cm/in.	54/21.4	54/21.4	54/21.4
Height, cm/in.	28/11.1	28/11.1	28/11.1
Weight, kg/lb	12.8 / 28	14.6 / 32	14.5 / 32

Electrical system	Automower® 320 NERA	Automower® 430X NERA	Automower® 450X NERA
Battery, Lithium-Ion 18. V/4.9 Ah Art. No.	590 81 01-02	590 81 01-02	
Battery, Lithium-Ion 18.0 V/5.0 Ah Art. No.	536 81 24-01, 590 81 01-01, 590 81 01-03	536 81 24-01, 590 81 01-01, 590 81 01-03	
Battery, Lithium-Ion 18.5 V/5.0 Ah Art. No.	536 81 24-02	536 81 24-02	
Battery, Lithium-Ion 18. V/5.2 Ah Art. No.	590 81 01-04	590 81 01-04	
Battery, Lithium-Ion 18.0 V/7.5 Ah Art. No.			599 78 86-01
Battery, Lithium-Ion 18.0 V/8.4 Ah Art. No.			599 78 86-03
Power supply (28V DC), V AC	100-240	100-240	100-240
Low-voltage cable length, m/ft	10/32.8	10/32.8	10/32.8
Mean energy consumption at maximum use	11 kWh/month for a work area of 2200m ² /0.55 acre	13 kWh/month for a work area of 3200m ² /0.8 acre	18 kWh/month for a work area of 5000m ² /1.25 acre
Charging current, A DC	2.2	4.2	7.0
Type of Power Supply Unit ⁸	FW7438/28/D/XX/Y	FW7448/28/D/XX/Y, ADP-120FR XX X; DT	FW7458/28/D/XX/Y, ADP-200MR XX X; DT
Average mowing time, min	135	100	145
Average charging time, min	75	40	40

Boundary wire antenna	Automower® 320 NERA	Automower® 430X NERA	Automower® 450X NERA
Operating Frequency Band, Hz	100-80000	100-80000	100-80000
Maximum magnetic field, dBuA/m ⁹	82	82	82
Maximum Radio-frequency power, mW@60m ¹⁰	<25	<25	<25

⁸ XX, YY can be any alphanumeric characters or blank for marketing purpose only, no technical differences.

⁹ Measured according to EN 303 447.

¹⁰ Maximum active output power to antennas in the frequency band in which the radio equipment operates.

Sound data ¹¹	Automower® 320 NERA	Automower® 430X NERA	Automower® 450X NERA
Sound level, perceived, dB (A)	58	56	58
Measured sound power noise level, dB (A)	58	55	58
Noise emissions uncertainties, KWA dB (A)	3	1	1
Sound pressure noise level at the operator's ear, dB (A) ¹²	50	47	50

Mowing	Automower® 320 NERA	Automower® 430X NERA	Automower® 450X NERA
Cutting system	3 pivoted cutting blades	3 pivoted cutting blades	3 pivoted cutting blades
Cutting motor speed, rpm	2300	2300	2500
Power consumption during cutting, W+/- 20%	15	19	26
Cutting height, cm/in.	2-6/0.8-2.4	2-6/0.8-2.4	2-6/0.8-2.4
Cutting width, cm/in.	24/9.4	24/9.4	24/9.4
Number of guides	2	3	3
Narrowest possible passage, cm/in.	60/24	60/24	60/24
Maximum slope for work area, %	50	50	50
Maximum slope for boundary wire, %	25	25	25
Maximum length boundary wire, m/ft	800/2600	800/2600	800/2600
Maximum length guide loop, m/ft ¹³	400/1300	400/1300	400/1300
Maximum distance to boundary wire m/ft	35/115	35/115	35/115
Area capacity - irregular, m ² / acre	2200/0.55	3200/0.8	5000/1.25
Area capacity - systematic with EPOS™, m ² / acre	3300/0.8	4800/1.2	7500/1.9

IP-code	Automower® 320 NERA	Automower® 430X NERA	Automower® 450X NERA
Robotic lawn mower	IPX5	IPX5	IPX5
Charging station	IPX5	IPX5	IPX5
Power supply	IP44	IP44	IP44

¹¹ Determined according to Directive 2006/42/EC and standard EN 50636-2-107. Except Sound level, perceived that is measured according to ISO 11094:1991.

¹² Sound pressure noise uncertainties K_{pA} , 2-4 dB (A)

¹³ The guide loop is the loop that if formed by the guide wire and the part of the boundary wire from the junction with the guide wire to the right connection in the charging station.

Frequency Band Support	
Automower® Connect 2G	GSM 850 MHz, E-GSM 900 MHz, DCS 1800 MHz, PCS 1900 MHz
Automower® Connect 4G	Band 12 (700 MHz), Band 17 (700 MHz), Band 28 (700 MHz), Band 13 (700 MHz), Band 20 (800 MHz), Band 26 (850 MHz), Band 5 (850 MHz), Band 19 (850 MHz), Band 8 (900 MHz), Band 4 (1700 MHz), Band 3 (1800 MHz), Band 2 (1900 MHz), Band 25 (1900 MHz), Band 1 (2100 MHz), Band 39 (1900 MHz), Band 18 (850MHz), Band 66 (1700 MHz), Band 85 (700 MHz)

Power Class		
Bluetooth® Output power	9 dBm	
Automower® Connect 2G	Power Class 4 (GSM/E-GSM)	33 dBm
	Power Class 1 (DCS/PCS)	30 dBm
	Power Class E2 (GSM/E-GSM)	27 dBm
	Power Class E2 (DCS/PCS)	26 dBm
Automower® Connect 4G	Power Class 3	23 dBm

Wi-Fi	Automower® 320/430X/450X NERA
Frequency band support ¹⁴	Channel 1-11 (2412-2462 MHz)
	Channel 12-13 (2467-2484 MHz)
	Channel 14
Operating frequency band, MHz	2402-2480
Maximum transmitted power, dBm	20

Husqvarna AB does not guarantee full compatibility between the product and other types of wireless systems such as remote controls, radio transmitters, hearing loops, underground electric animal fencing or similar.

9.1.1 Registered trademarks

The *Bluetooth®* word mark and logos are registered trademarks owned by *Bluetooth SIG, inc.* and any use of such marks by Husqvarna is under license.

The Wi-Fi CERTIFIED™ logo is a registered trademark of Wi-Fi Alliance®. This product is Wi-Fi Alliance® certified.



¹⁴ Channel 12-14 is only used in countries where it is available.



Husqvarna[®]

AUTOMOWER[®] is a trademark owned by Husqvarna AB.
Copyright[®] 2024 HUSQVARNA. All rights reserved.

www.husqvarna.com

Original instructions



1143606-21



2024-02-19