

RLE 240

STIHL



2 - 21	Gebrauchsanleitung
21 - 39	Instruction Manual
39 - 59	Notice d'emploi
59 - 79	Manual de instrucciones
79 - 96	Skötselansvisning
97 - 114	Käyttöohje
114 - 133	Istruzioni d'uso
133 - 151	Betjeningsvejledning
151 - 168	Bruksanvisning
168 - 188	Instruções de serviço
188 - 207	Handleiding
207 - 227	Instrukcja użytkowania



- schen und hinzufallen, was zu Verletzungen führen könnte.
- l) **Betreiben Sie den Rasenlüfter nicht auf übermäßig steilen Hängen.** Damit wird das Risiko vermindert, die Kontrolle zu verlieren, auszurutschen und hinzufallen, was zu Verletzungen führen könnte.
- m) **Achten Sie beim Arbeiten an Abhängen auf einen sicheren Stand; arbeiten Sie immer quer zum Abhang, niemals aufwärts oder abwärts, und seien Sie extrem vorsichtig beim Ändern der Arbeitsrichtung.** Damit wird das Risiko vermindert, die Kontrolle zu verlieren, auszurutschen und hinzufallen, was zu Verletzungen führen könnte.
- n) **Seien Sie besonders vorsichtig beim Rückwärtsarbeiten oder wenn Sie den Rasenlüfter zu sich herziehen. Achten Sie immer auf Ihre Umgebung.** Dies reduziert die Stolpergefahr während der Arbeit.
- o) **Halten Sie die Netzleitung von den Zinken fern.** Eine beschädigte Netzleitung kann zu elektrischem Schlag, Feuer und/oder ernsthaften Verletzungen führen.
- p) **Schalten Sie den Rasenlüfter aus und ziehen Sie den Netzstecker, falls die Netzleitung sich verfangen hat oder beschädigt wurde.** Verfangene oder beschädigte Leitungen können das Risiko eines elektrischen Schlags erhöhen.
- q) **Halten Sie den Rasenlüfter nur an den isolierten Griffflächen, da die Zinken verborgene Stromleitungen oder das eigene Netzkabel treffen können.** Der Kontakt der Zinken mit einer spannungsführenden Leitung kann auch metallene Geräteteile unter Spannung setzen und zu einem elektrischen Schlag führen.
- r) **Berühren Sie nicht die Zinken oder andere gefährliche Teile, die sich noch bewegen.** Damit vermindern Sie das Risiko einer Verletzung durch sich bewegende Teile.
- s) **Stellen Sie sicher, dass alle Schalter ausgeschaltet sind und der Netzstecker gezogen ist, bevor Sie eingeklemmtes Material entfernen oder den Rasenlüfter reinigen.** Ein unerwarteter Betrieb des Rasenlüfters kann zu ernsthaften Verletzungen führen.

1	Introduction.....	21
2	Guide to Using this Manual.....	22
3	Overview.....	22
4	Safety Precautions.....	23
5	Preparing the Lawn Scarifier for Operation	27
6	Assembling the Lawn Scarifier.....	28
7	Adjusting the Lawn Scarifier for the User..	29
8	Connecting the Lawn Scarifier to the Mains	30
9	Switching the Lawn Scarifier On and Off..	30
10	Checking the Lawn Scarifier.....	30
11	Working with the Lawn Scarifier.....	31
12	After Finishing Work.....	32
13	Transporting.....	32
14	Storing.....	33
15	Cleaning.....	33
16	Maintenance.....	34
17	Repairing.....	34
18	Troubleshooting.....	34
19	Specifications.....	35
20	Spare Parts and Accessories.....	36
21	Disposal.....	36
22	EC Declaration of Conformity.....	36
23	Addresses.....	37
24	General and Product-Specific Safety Instructions.....	37

1 Introduction

Dear Customer,

Thank you for choosing STIHL. We develop and manufacture our quality products to meet our customers' requirements. The products are designed for reliability even under extreme conditions.

STIHL also stands for premium service quality. Our dealers guarantee competent advice and instruction as well as comprehensive service support.

STIHL expressly commit themselves to a sustainable and responsible handling of natural resources. This user manual is intended to help you use your STIHL product safely and in an environmentally friendly manner over a long service life.

We thank you for your confidence in us and hope you will enjoy working with your STIHL product.



Dr. Nikolas Stihl

Contents

IMPORTANT! READ BEFORE USING AND KEEP IN A SAFE PLACE FOR REFERENCE.

2 Guide to Using this Manual

2.1 Applicable Documents

This instruction manual is a translation of the original manufacturer's instructions in the sense of EC Directive 2006/42/EC.

Local safety regulations apply.

2.2 Warning Notices in Text

DANGER

- This notice refers to risks which result in serious or fatal injury.
 - ▶ Serious or fatal injuries can be avoided by taking the precautions mentioned.

WARNING

- This notice refers to risks which **can** result in serious or fatal injury.
 - ▶ Serious or fatal injuries can be avoided by taking the precautions mentioned.

NOTICE

- This notice refers to risks which can result in damage to property.
 - ▶ Damage to property can be avoided by taking the precautions mentioned.

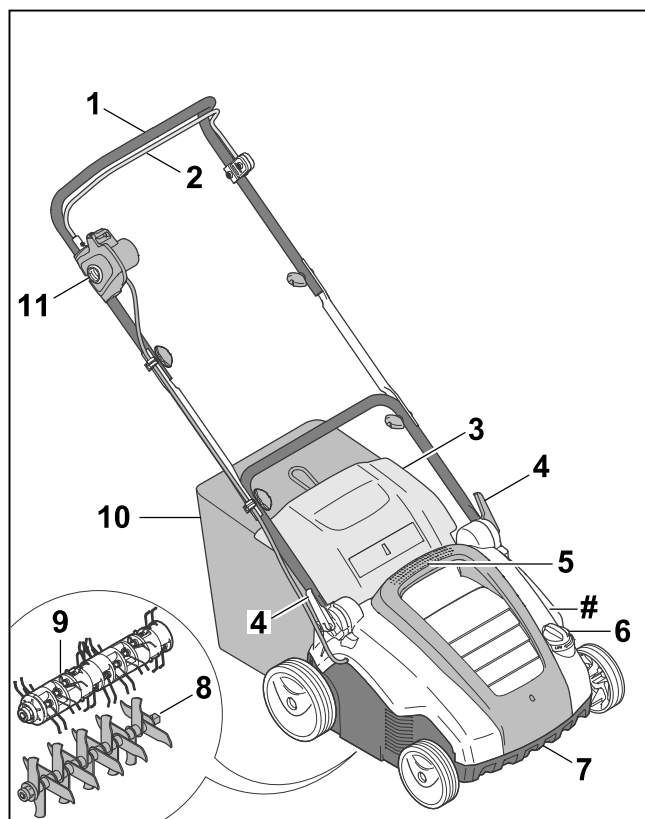
2.3 Symbols in Text



This symbol refers to a chapter in this instruction manual.

3 Overview

3.1 Lawn Scarifier



- 1 Handlebar**
The handlebar is used to hold, guide and transport the lawn scarifier.
- 2 Control bar**
The control bar switches the installed roller on and off together with the locking button.
- 3 Discharge flap**
The discharge flap closes off the discharge chute.
- 4 Quick-clamping device**
The quick-clamping devices are used to adjust and fold down the handlebar.
- 5 Upper transport handle**
The upper transport handle is used to carry the lawn scarifier.
- 6 Rotary wheel**
The rotary wheel is used to set the working depth.
- 7 Lower transport handle**
The lower transport handle is used to carry and upend the lawn scarifier.
- 8 Scarifying roller**
The scarifying roller is used to scarify the lawn.
- 9 Combing roller**
The combing roller is used to comb the lawn.

10 Grass catcher box


The grass catcher box collects the material removed from the lawn.

11 Locking button

The locking button switches the installed roller on and off together with the control bar.

Rating plate with machine number**3.2 Symbols**

The symbols can be on the lawn scarifier and have the following meaning:

 **LWA** Guaranteed sound power level in accordance with Directive 2000/14/EC in dB(A) for the purpose of comparing the sound emissions of products.

IPX4 IP symbol



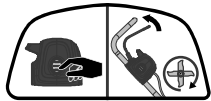
Protection class II power tool



Alternating current



Do not dispose of the product with household waste



Switching the lawn scarifier on

4 Safety Precautions**4.1 Warning Symbols**

The warning symbols on the lawn scarifier have the following meaning:



Follow the safety instructions and their measures.



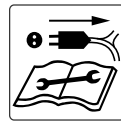
Read, understand and keep the instruction manual.



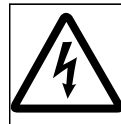
Beware of objects being thrown up – keep a safe distance and keep other people away.



Keep hands and feet away from the rotating roller.



Unplug from the socket: before work stoppages, cleaning, transport, storage, maintenance, repair, or if the power cable is damaged.



Danger of electric shock! Keep the power cable away from the tines.



Protect the lawn scarifier from rain and humidity.



Wear safety glasses.

**4.2 Intended Use**

The STIHL RLE 240.0 lawn scarifier is intended for the following uses:

- With the scarifying roller: scarifying the lawn
- With the combing roller: combing the lawn

The lawn scarifier must not be used in rain or wet conditions.

⚠ WARNING

- Failure to use the lawn scarifier as intended may result in serious or fatal injury to people and damage to property.
 - ▶ Use the lawn scarifier with an extension cable.
 - ▶ Use the lawn scarifier as described in this instruction manual.

4.3 Requirements for the User**⚠ WARNING**

- Uninstructed users cannot recognise or evaluate the dangers posed by the lawn scarifier. This may result in serious or fatal injury to the user or other people.



- ▶ Read, understand and keep the instruction manual.

- ▶ If passing on the lawn scarifier to another person: provide them with the instruction manual also.
- ▶ Make sure that the user meets the following conditions:
 - The user is rested.
 - The user is physically, sensorily and mentally capable of operating the lawn scarifier and working with it. If the user

is physically, sensorily or mentally impaired, the machine must only be used under supervision or following instruction by a responsible person.

- The user can recognise and evaluate the dangers posed by the lawn scarifier.
 - The user is aware that they are responsible for accidents and damage.
 - The user is of legal age or the user is being trained under supervision in a profession in accordance with national regulations.
 - The user has received instruction from a STIHL specialist dealer or a competent person before using the lawn scarifier for the first time.
 - The user is not impaired by alcohol, medicines or drugs.
- ▶ If anything is unclear: consult a STIHL specialist dealer.

4.4 Clothing and Equipment

⚠ WARNING

- Objects may be thrown up at high velocity while working. This may result in injury to the user.

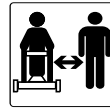


- ▶ Wear close-fitting safety glasses. Suitable safety glasses are tested in accordance with EN 166 or national regulations and available commercially with the corresponding marking.
- ▶ Wear long trousers made from resistant material.
- Dust may be stirred up while working. Breathing in dust may be harmful to health and cause allergic reactions.
 - ▶ If dust is stirred up: wear a dust mask.
- Unsuitable clothing may get caught in wood, brambles and in the lawn scarifier. Users without suitable clothing can be seriously injured.
 - ▶ Wear close-fitting clothing.
 - ▶ Remove scarves and jewellery.
- The user may come into contact with the roller during cleaning, maintenance or transport. This may result in injury to the user.
 - ▶ Wear protective gloves.
- Wearing unsuitable footwear may cause the user to slip. This may result in injury to the user.
 - ▶ Wear sturdy, closed-toed footwear with high-grip soles.
- Noise is produced while working. Noise may damage the hearing.
 - ▶ Wear hearing protection.

4.5 Work Area and Surroundings

⚠ WARNING

- Bystanding people, children and animals cannot recognise or evaluate the dangers posed by the lawn scarifier and high-velocity objects. This may result in serious injury to bystanding people, children and animals and damage to property.



- ▶ Keep bystanding people, children and animals out of the work area.
- ▶ Maintain a distance from objects.
- ▶ Do not leave the lawn scarifier unattended.
- ▶ Make sure that children cannot play with the lawn scarifier.
- The lawn scarifier is not waterproof. Working in the rain or in a damp environment may result in electric shock. This may result in serious or fatal injury to the user and damage to the lawn scarifier.
 - ▶ Do not work in the rain or in a damp environment.
- Electrical components of the lawn scarifier may produce sparks. Sparks may cause fires and explosions in highly flammable or explosive environments. This may result in serious or fatal injury to people and damage to property.
 - ▶ Do not work in a highly flammable or explosive environment.
- People may trip over the extension cable. This may result in injury to people and damage to the lawn scarifier.
 - ▶ Route the extension cable so that it is easily visible and flat on the ground.



4.6 Safe Condition

4.6.1 Lawn Scarifier

The lawn scarifier is in safe condition when the following conditions are met:

- The lawn scarifier is not damaged.
- The extension cable and its mains plug are not damaged.
- The lawn scarifier is clean and dry.
- The controls are working and have not been modified.
- If material removed from the lawn is to be collected in the grass catcher box: the grass catcher box is correctly attached.
- If material removed from the lawn is to be ejected to the rear: the grass catcher box is detached and the discharge flap is closed.


- The roller is correctly attached.
- Genuine STIHL accessories for this lawn scarifier are attached.
- The accessories are correctly attached.

⚠ WARNING

- If not in safe condition, components may no longer operate correctly and safety devices may be disabled. This may result in serious or fatal injury to people.
 - ▶ Do not use a damaged lawn scarifier.
 - ▶ Do not use a damaged extension cable and mains plug.
 - ▶ If the lawn scarifier is dirty: clean the lawn scarifier.
 - ▶ If the lawn scarifier is wet: dry the lawn scarifier.
 - ▶ Do not modify the lawn scarifier.
 - ▶ If the controls are not working: do not use the lawn scarifier.
 - ▶ If material removed from the lawn is to be collected in the grass catcher box: attach the grass catcher box as described in this instruction manual.
 - ▶ Attach genuine STIHL accessories for this lawn scarifier.
 - ▶ Attach the roller as described in this instruction manual.
 - ▶ Attach accessories as described in this instruction manual or in the instruction manual for the accessories.
 - ▶ Do not insert objects into the apertures in the lawn scarifier.
 - ▶ Replace worn or damaged warning signs.
 - ▶ If anything is unclear: consult a STIHL specialist dealer.

4.6.2 Rollers

The scarifying roller and the combing roller are in safe condition when the following conditions are met:

- The shaft, blades, spring-tines and attachments are not damaged.
- The shaft, blades and spring-tines are not deformed.
- The roller is correctly attached.
- The blades and spring-tines are burr-free.
- The minimum length of the blades is not fallen below,  19.2.

⚠ WARNING

- In unsafe condition, parts of the blade and spring-tine may come loose and be expelled. This may result in serious injury to people.
 - ▶ Use undamaged blades, spring-tines and attachments.

- ▶ If the minimum length of the blades is fallen below: replace the scarifying roller.
- ▶ If anything is unclear: consult a STIHL specialist dealer.

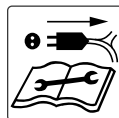
4.7 Connection to the Mains

Contact with live components may result from the following causes:


- The extension cable is damaged.
- The mains plug of the extension cable is damaged.
- The socket is incorrectly installed.

⚠ DANGER

- Contact with live components may result in an electric shock. This may result in serious or fatal injury to the user.
 - ▶ Ensure that the extension cable and its mains plug are free from damage.



If the extension cable is damaged:

- ▶ Do not touch damaged areas.
- ▶ Remove the mains plug from the socket.
- ▶ Ensure that your hands are dry when touching the extension cable and its mains plug.
- ▶ Insert the mains plug of the extension cable into a correctly installed and fused socket with an earth contact.
- ▶ Connect the lawn scarifier using a residual current device (30 mA, 30 ms).
- A damaged or unsuitable extension cable may result in an electric shock. This may result in serious or fatal injury to people.
 - ▶ Use an extension cable with the correct cable cross section,  19.3.
 - ▶ Use a splash-proof extension cable approved for outdoor use.

⚠ WARNING

- An incorrect mains voltage or an incorrect mains frequency while working may lead to overvoltage in the lawn scarifier. This may result in damage to the lawn scarifier.
 - ▶ Ensure that the mains voltage and the mains frequency of the power supply correspond to the information contained in the rating plate on the lawn scarifier.
- If several electrical appliances are connected to a power strip, electrical components may become overloaded while working. The electrical components may heat up and cause a fire. This may result in serious or fatal injury to people and damage to property.
 - ▶ Only connect one lawn scarifier to a socket.
 - ▶ Do not connect a lawn scarifier to power strips.

- An incorrectly routed extension cable may become damaged and people may trip over it. This may result in injury to people and damage to the extension cable.
 - ▶ Route the extension cable so that it cannot touch the lawn scarifier.
 - ▶ Route and mark the extension cable so that people cannot trip over it.
 - ▶ Route the extension cable so that it is not stretched or tangled.
 - ▶ Route the extension cable so that it does not become damaged, kinked or crushed or chafe.
 - ▶ Protect the extension cable from heat, oil and chemicals.
 - ▶ Route the extension cable on dry ground.
- The extension cable warms up while working. If the heat cannot dissipate, it may cause a fire.
 - ▶ If using a cable reel: uncoil the cable reel fully.

4.8 Working

⚠ WARNING

- In certain situations, the user may no longer be able to concentrate on their work. This may result in the user stumbling, falling and becoming seriously injured.
 - ▶ Work calmly and carefully.
 - ▶ If the light and visibility conditions are poor: do not use the lawn scarifier.
 - ▶ Operate the lawn scarifier alone.
 - ▶ Watch out for obstacles.
 - ▶ Do not tilt the lawn scarifier.
 - ▶ Work standing on the ground and maintain balance.
 - ▶ If signs of fatigue occur: take a break.
 - ▶ If scarifying or combing on a slope: scarify or comb across the slope.
 - ▶ Do not scarify or comb on steep slopes.
- The turning roller may cut the user. This may result in serious injury to the user.



- ▶ Do not touch a turning roller.
- Hard objects hitting the turning roller can damage the lawn scarifier.
 - ▶ If a hard object hits the spinning roller, switch the lawn scarifier off, detach the extension cable connector from the mains plug and wait until the roller stops turning. Only then check the lawn scarifier for damage.

- ▶ If the lawn scarifier is damaged: consult a STIHL specialist dealer.
- If the roller is blocked by an object and the object is removed while the motor is running, the roller may move and the user may be seriously injured.
 - ▶ Switch the lawn scarifier off and detach the extension cable connector from the mains plug of the lawn scarifier. Only then remove the object.
 - ▶ Check the lawn scarifier for damage.
 - ▶ If the lawn scarifier is damaged: consult a STIHL specialist dealer.
- If the lawn scarifier changes or starts to behave differently when working, it may not be in safe condition. This may result in serious injury to people and damage to property.
 - ▶ Finish working, switch the lawn scarifier off, detach the extension cable connector from the mains plug of the lawn scarifier and consult a STIHL specialist dealer.
- The lawn scarifier may cause vibrations when working.
 - ▶ Wear gloves.
 - ▶ Take breaks.
 - ▶ If signs of a circulatory disturbance occur: consult a doctor.
- If the roller hits a foreign object when working, the roller or parts of it may be thrown up at high velocity. This may result in injury to people and damage to property.
 - ▶ Remove foreign objects from the work area.
 - ▶ Mark and drive round obstacles (e.g. roots, tree stumps).
- When the control bar is released, the roller continues to turn for a short time. This may result in serious injury to people.
 - ▶ Wait until the roller is no longer turning.
- Sparks can be produced if the turning roller hits a hard object. Sparks may cause fires in highly flammable environments. This may result in serious or fatal injury to people and damage to property.
 - ▶ Do not work in a highly flammable environment.
- If the lawn scarifier is stopped on a sloping surface, it may unintentionally roll away. This may result in injury to people and damage to property.
 - ▶ Only let go of the lawn scarifier if it is on a level surface and cannot roll away by itself.
- If objects are attached to the handlebar, the additional weight may cause the lawn scarifier to tip over. This may result in injury to people and damage to property.
 - ▶ Do not attach objects to the handlebar.

⚠ DANGER

- If working near live wires, the roller may come into contact with live wires and damage them. This may result in serious or fatal injury to the user.



- ▶ Do not work near live wires.
- ▶ Route the extension cable so that it is easily visible and always behind the lawn scarifier.

- The user may be struck by lightning if working during a thunderstorm. This may result in serious or fatal injury to the user.
 - ▶ Do not work during thunderstorms.

4.9 Transporting

⚠ WARNING

- The lawn scarifier may tip over or move during transport. This may result in injury to people and damage to property.
 - ▶ Switch the lawn scarifier off and detach the extension cable connector from the mains plug of the lawn scarifier.
 - ▶ Wait until the roller is no longer turning.
 - ▶ Place the lawn scarifier on a level surface.
 - ▶ Set the transport position.
 - ▶ Carry the lawn scarifier over obstacles (e.g. steps, kerbs).
 - ▶ Secure the lawn scarifier with lashing straps, belts or a net so that it cannot tip over and move.

4.10 Storing

⚠ WARNING

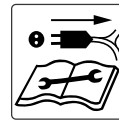
- Children cannot recognise or evaluate the dangers posed by the lawn scarifier. There is a risk of serious injury to children.
 - ▶ Unplug the mains plug of the extension cable from the socket.
 - ▶ Detach the extension cable connector from the mains plug of the lawn scarifier.
 - ▶ Keep the lawn scarifier out of reach of children.
- Moisture may cause corrosion to the electric contacts on the lawn scarifier and metal components. This may result in damage to the lawn scarifier.
 - ▶ Unplug the mains plug of the extension cable from the socket.
 - ▶ Detach the extension cable connector from the mains plug of the lawn scarifier.

- ▶ Keep the lawn scarifier clean and dry.

4.11 Cleaning, Maintenance and Repair

⚠ WARNING

- If the mains plug is plugged into a socket during cleaning, maintenance or repair, the lawn scarifier may unintentionally be switched on. This may result in serious injury to people and damage to property.













- ▶ Unplug the mains plug of the extension cable from the socket.

- ▶ Detach the extension cable connector from the mains plug of the lawn scarifier.
- ▶ Wait until the roller is no longer turning.
- Abrasive cleaning agents, using a water jet for cleaning or sharp objects may result in damage to the lawn scarifier or the rollers. If the lawn scarifier or rollers are not cleaned correctly, components may no longer operate correctly and safety devices may be disabled. This may result in serious injury to people.
 - ▶ Clean the lawn scarifier and rollers as described in this instruction manual.
- If the lawn scarifier or rollers are not maintained or repaired correctly, components may no longer operate correctly and safety devices may be disabled. This may result in serious or fatal injury to people.
 - ▶ Do not maintain or repair the lawn scarifier yourself.
 - ▶ If the lawn scarifier needs to be maintained or repaired: consult a STIHL specialist dealer.
 - ▶ Maintain the rollers as described in this instruction manual.
- The blades and spring-tines may move during roller cleaning, maintenance or repair. The user can cut themselves on sharp cutting edges and be injured or fingers can get caught between moving tines and stationary parts of the machine and be crushed.
 - ▶ Wear protective gloves.
 - ▶ Work carefully.

5 Preparing the Lawn Scarifier for Operation

5.1 Preparing the Lawn Scarifier for Operation

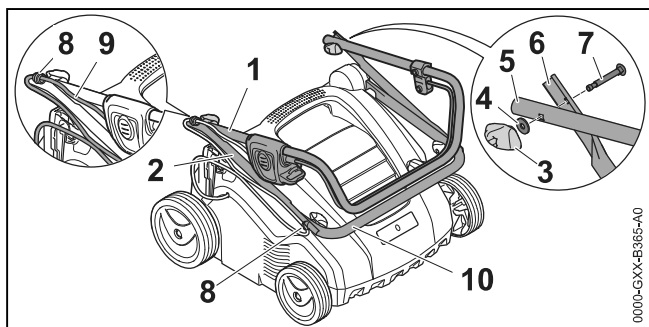
The following steps must be performed before commencing work:

- ▶ Remove packaging material and transport locks from the machine.
- ▶ Make sure that the following components are in safe condition:
 - Lawn scarifier,  4.6.1.
 - Rollers,  4.6.2.
- ▶ Assemble the handlebar.
- ▶ Clean the lawn scarifier,  15.1.
- ▶ Check the rollers,  10.2.
- ▶ Ensure that there is no roller in the transport compartment,  6.2.
- ▶ Fold up and adjust the handlebar,  7.1.
- ▶ Connect the mains plug of the lawn scarifier to an extension cable and the mains plug of the extension cable to an easily accessible socket.
- ▶ If material removed from the lawn is to be collected in the grass catcher box: attach the grass catcher box,  6.3.2.
- ▶ If material removed from the lawn is to be ejected to the rear: detach the grass catcher box,  6.3.3.
- ▶ Set the working depth,  11.2.
- ▶ Check the controls,  10.1.
- ▶ If the steps cannot be performed: do not use the lawn scarifier and consult a STIHL specialist dealer.

6 Assembling the Lawn Scarifier

6.1 Attaching the Handlebar

- ▶ Switch the lawn scarifier off and detach the extension cable connector from the mains plug of the lawn scarifier.
- ▶ Place the lawn scarifier on a level surface.



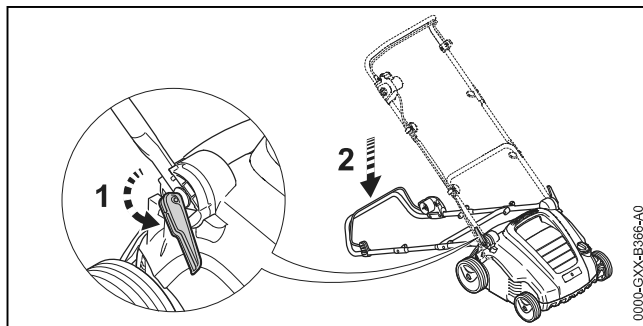
- ▶ Push holder (8) onto bolts (7).
- ▶ Align upper handlebar (1) and centre handlebar section (2) so the bores align.
- ▶ Insert bolt (7) and align so the bolt head is flush with centre handlebar section (2) on both sides.
- ▶ Place washer (4) on bolt (7).
- ▶ Screw on wing nut (3).
- ▶ Align lower handlebar (10) and centre handlebar section (2) so the bores align.

- ▶ Insert bolt (7) and align so the bolt head is flush with centre handlebar section (2) on both sides.
- ▶ Place washer (4) on bolt (7).
- ▶ Screw on wing nut (3).
- ▶ Press cable (9) into holders (8).

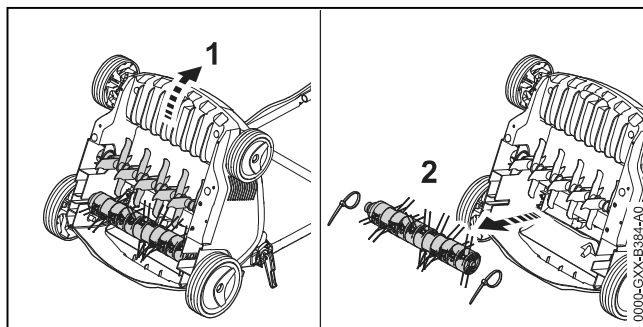
The handlebar must not be dismantled again.

6.2 Removing the Combing Roller from the Transport Compartment Before Use for the First Time

- ▶ Switch the lawn scarifier off and detach the extension cable connector from the mains plug of the lawn scarifier.
- ▶ Place the lawn scarifier on a level surface.



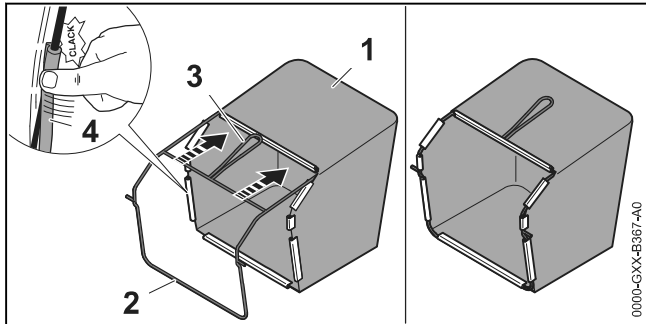
- ▶ Open quick-clamping devices (1) and fold down the handlebar to the rear.
- ▶ Hold the lawn scarifier at the lower transport handle and upend.



- ▶ Remove the cable ties.
- ▶ Remove the combing roller from the transport compartment and keep it in a safe place.

6.3 Assembling, Attaching and Detaching the Grass Catcher Box

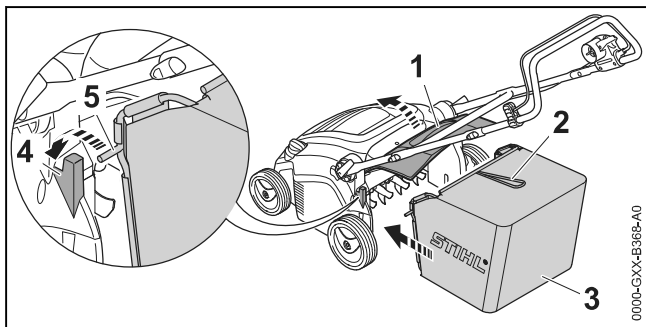
6.3.1 Assembling the Grass Catcher Box



- ▶ Pull fabric (1) over frame (2) so that the base plate is on the bottom and handle (3) is on the outside of the fabric.
- ▶ Press plastic profiles (4) onto the frame. The plastic profiles engage with a click.

6.3.2 Attaching the Grass Catcher Box

- ▶ Switch the lawn scarifier off and detach the extension cable connector from the mains plug of the lawn scarifier.



- ▶ Open discharge flap (1) and hold it open.
- ▶ Take hold of grass catcher box (3) by handle (2) and suspend shaft (5) in mount (4).
- ▶ Set down discharge flap (1) on grass catcher box (3).

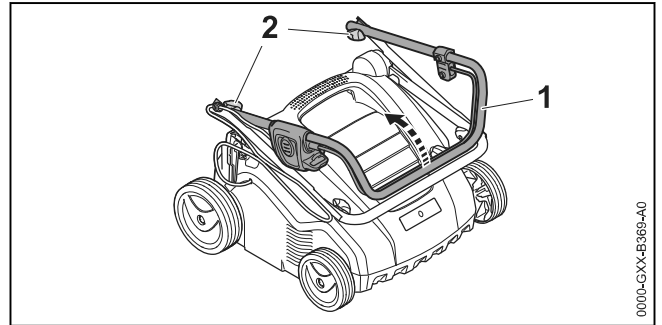
6.3.3 Detaching the Grass Catcher Box

- ▶ Switch the lawn scarifier off and detach the extension cable connector from the mains plug of the lawn scarifier.
- ▶ Place the lawn scarifier on a level surface.
- ▶ Open the discharge flap and hold it open.
- ▶ Remove the grass catcher box upwards by the handle.
- ▶ Close the discharge flap.

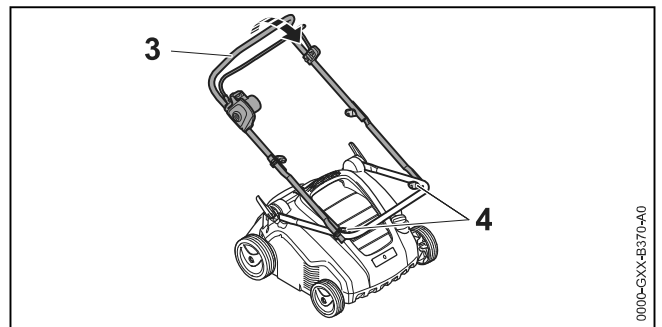
7 Adjusting the Lawn Scarifier for the User

7.1 Folding Up and Adjusting the Handlebar

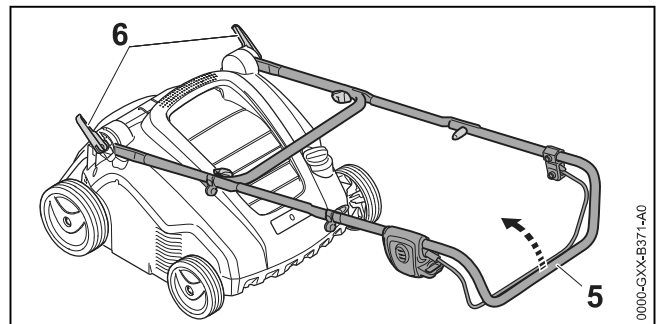
- ▶ Switch the lawn scarifier off and detach the extension cable connector from the mains plug of the lawn scarifier.
- ▶ Place the lawn scarifier on a level surface.



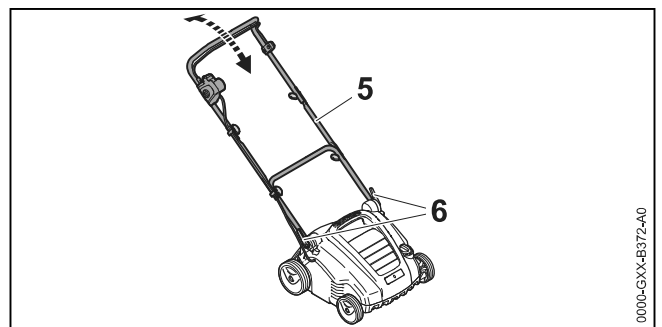
- ▶ Fold up upper handlebar (1).
- ▶ Tighten wing nuts (2).



- ▶ Fold up centre handlebar section (3).
- ▶ Tighten wing nuts (4).



- ▶ Open quick-clamping devices (6).
- ▶ Fold up handlebar (5) fully.



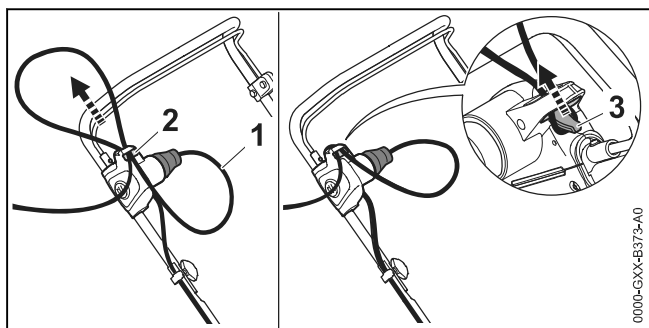
- ▶ Align handlebar (5) in a comfortable working position and lock in place with quick-release levers (6).

7.2 Folding the Handlebar

- ▶ Switch the lawn scarifier off and detach the extension cable connector from the mains plug of the lawn scarifier.
- ▶ Place the lawn scarifier on a level surface.
- ▶ Open the quick-clamping devices.
- ▶ Fold down the handlebar forwards.

8 Connecting the Lawn Scarifier to the Mains

8.1 Connecting the Lawn Scarifier to the Mains

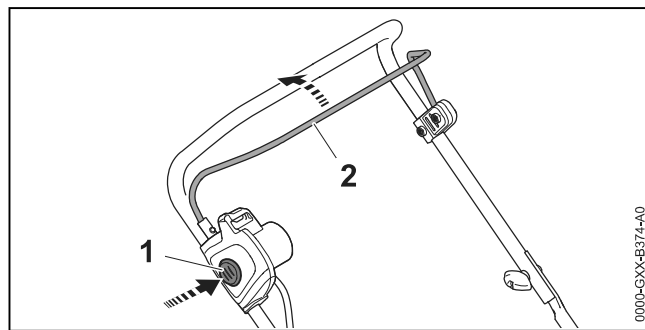


- ▶ Insert extension cable connector (1) into the mains plug of the lawn scarifier.
- ▶ Pull the cable loop through aperture (2).
- ▶ Fasten the cable loop to hook (3).
The cable connection features strain relief.
- ▶ Plug the mains plug of the extension cable into a correctly installed socket.

9 Switching the Lawn Scarifier On and Off

9.1 Switching the Lawn Scarifier On

- ▶ Ensure that the extension cable is routed in such a way that it is visible and always behind the lawn scarifier.
- ▶ Place the lawn scarifier on a level surface.
- ▶ Do not tilt the lawn scarifier when switching on.



- ▶ Press locking button (1) with the right hand and hold.
- ▶ Pull control bar (2) with the left hand fully in the direction of the handlebar and hold so the thumb encloses the handlebar.
The roller turns.
- ▶ Release locking button (1).
- ▶ Hold the handlebar and control bar (2) with the right hand so that the thumb encloses the handlebar.

9.2 Switching the Lawn Scarifier Off

- ▶ Release the control bar.
- ▶ Wait until the roller is no longer turning.
- ▶ If the roller continues to turn: detach the extension cable connector from the mains plug of the lawn scarifier and consult a STIHL specialist dealer.
The lawn scarifier is defective.

10 Checking the Lawn Scarifier

10.1 Checking the Controls

Locking button and control bar


- ▶ Switch the lawn scarifier off and detach the extension cable connector from the mains plug of the lawn scarifier.
- ▶ Press the locking button and release it again.
- ▶ Pull the control bar fully in the direction of the handlebar and release it again.
- ▶ If the locking button or the control bar is stiff or does not spring back into the initial position: do not use the lawn scarifier and consult a STIHL specialist dealer.
The locking button or the control bar is defective.

Switching the lawn scarifier on

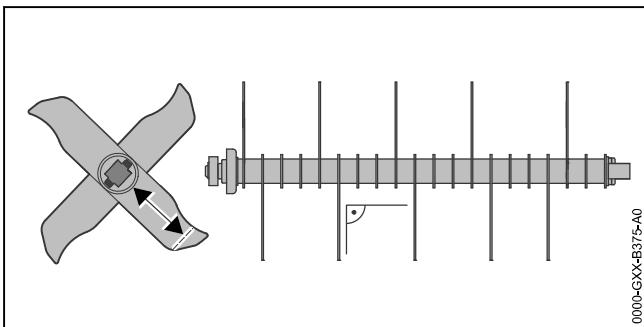
- ▶ Connect the lawn scarifier to a socket using an extension cable.
- ▶ Press the locking button with the right hand and hold.



- ▶ Pull the control bar with the left hand fully in the direction of the handlebar and hold so that the thumb encloses the handlebar. The roller turns.
- ▶ If the roller is not turning: switch the lawn scarifier off, detach the extension cable connector from the mains plug of the lawn scarifier and consult a STIHL specialist dealer. The lawn scarifier is defective.
- ▶ Release the locking button and control bar. The roller stops turning after a short time.
- ▶ If the roller continues to turn: detach the extension cable connector from the mains plug of the lawn scarifier and consult a STIHL specialist dealer. The lawn scarifier is defective.

10.2 Checking the Rollers

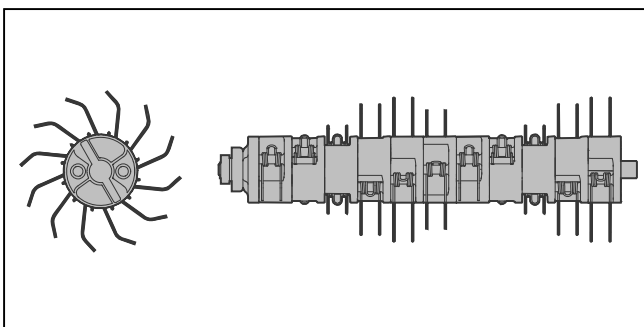
- ▶ Switch the lawn scarifier off and detach the extension cable connector from the mains plug of the lawn scarifier.
- ▶ Place the lawn scarifier on a level surface.
- ▶ Upend the lawn scarifier,  15.1.


Scarifying roller



- ▶ Check the length of the blades. The wear limit of the blades is marked.
- ▶ If the minimum length is fallen below: replace the roller,  16.2.
- ▶ If the blades are bent: consult a STIHL specialist dealer or replace the roller,  16.2.

Combing roller

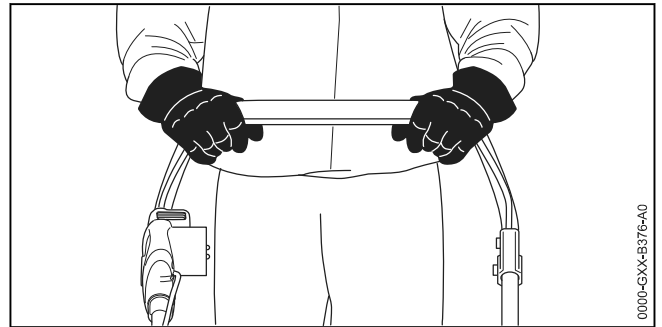


- ▶ If the tines are crooked or bent: consult a STIHL specialist dealer or replace the roller,  16.2.

If anything is unclear: consult a STIHL specialist dealer.

11 Working with the Lawn Scarifier

11.1 Holding and Guiding the Lawn Scarifier

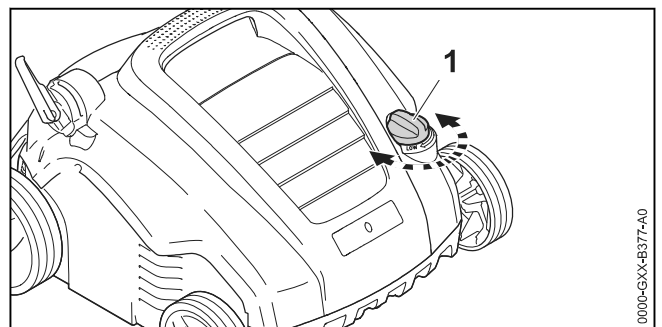


- ▶ Hold the handlebar with both hands so that the thumbs enclose the handlebar.

11.2 Setting the Working Depth and Transport Position

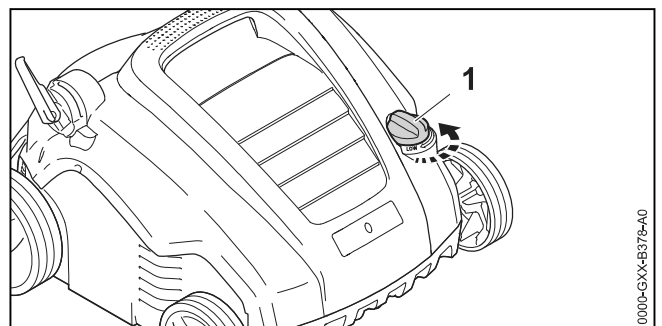
The working depth can be infinitely adjusted.

Setting the working depth



- ▶ Move rotary wheel (1) into the desired position. The roller raises and lowers.

Setting the transport position



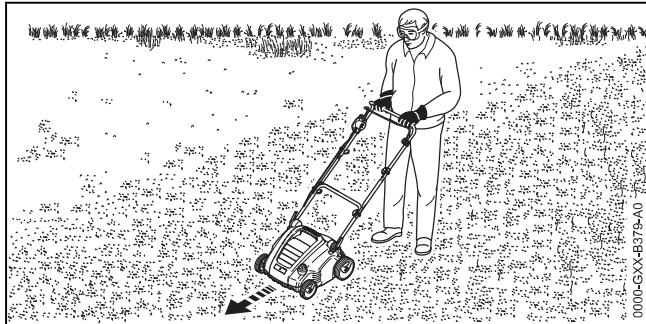
- ▶ Turn rotary wheel (1) anti-clockwise into the highest position. The roller raises and no longer touches the ground.

11.3 Preparing the Lawn

The shorter the lawn is mown, the better the scarifying results. The ideal grass height is between 2 cm and 3 cm.

- ▶ Remove objects from the work area.
- ▶ Mark stationary obstacles (e.g. roots and tree trunks).
- ▶ If the grass is higher than 3 cm: mow the lawn.

11.4 Scarifying and Combing



Scarifying with the scarifying roller

Scarifying involves scratching the turf to remove weeds, moss, old clippings and lawn thatch.

- ▶ Adjust the working depth.
 - ▶ Place the roller in the highest position before starting.
 - ▶ Slowly lower the roller so it is just scarifying the ground. The ideal scarifying depth is between 2 mm and 3 mm.
- The grass roots are not damaged.
- ▶ Ensure that the extension cable is routed in such a way that it is visible and always behind the lawn scarifier.
- ▶ Push the lawn scarifier forwards slowly and in a controlled manner.
- ▶ Avoid staying stationary in one place for any duration.

Combing with the combing roller

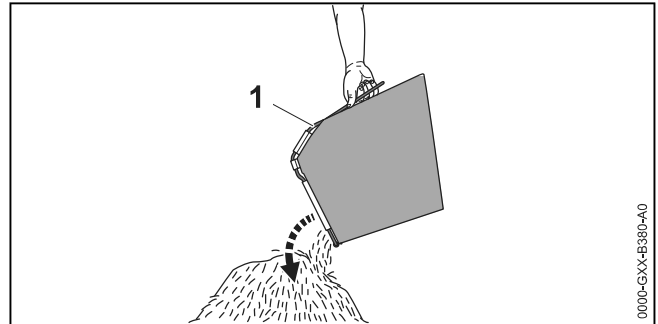
Combing involves carefully removing lawn thatch and excess moss previously loosened by scarifying from the lawn.

In addition, it counteracts soil compaction and the resulting lack of oxygen in the soil.

- ▶ Adjust the working depth.
 - ▶ Place the roller in the highest position before starting.
 - ▶ Slowly lower the roller until the spring-tines touch the ground.
- ▶ Ensure that the extension cable is routed in such a way that it is visible and always behind the lawn scarifier.
- ▶ Push the lawn scarifier forwards slowly and in a controlled manner.

- ▶ Avoid staying stationary in one place for any duration.

11.5 Emptying the Grass Catcher Box



- ▶ Remove grass catcher box (1) upwards by the handle.
- ▶ Empty grass catcher box (1).

12 After Finishing Work

12.1 After Finishing Work

- ▶ Switch the lawn scarifier off and detach the extension cable connector from the mains plug of the lawn scarifier.
- ▶ Place the lawn scarifier on a level surface.
- ▶ If the lawn scarifier is wet: allow the lawn scarifier to dry.
- ▶ Clean the lawn scarifier.

Caring for the lawn after scarifying

- ▶ Remove all scarified material from the lawn.
- ▶ Fertilise the lawn and re-seed bare patches.
- ▶ Water the lawn thoroughly.

Caring for the lawn after combing

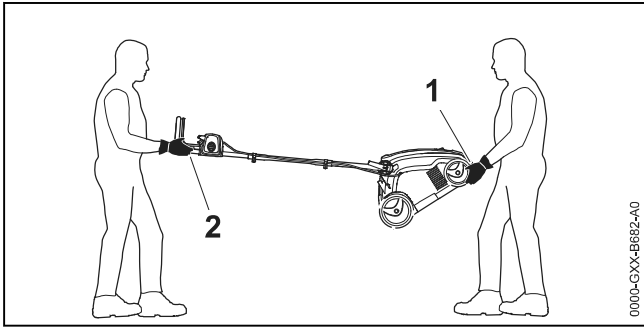
- ▶ Remove all plant trimmings from the lawn.
- ▶ Water the lawn thoroughly.

13 Transporting

13.1 Transporting the Lawn Scarifier

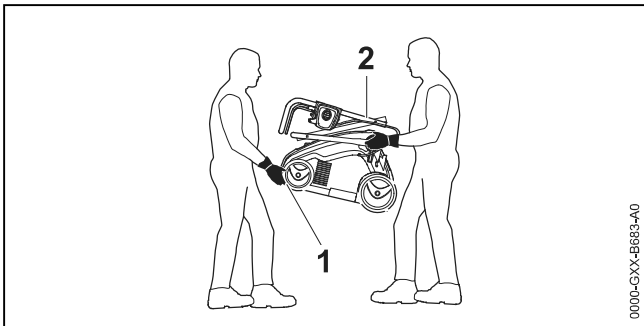
- ▶ Switch the lawn scarifier off and detach the extension cable connector from the mains plug of the lawn scarifier.
- ▶ Place the lawn scarifier on a level surface.
- ▶ Detach the grass catcher box.
- ▶ Set the transport position.
- ▶ Push the lawn scarifier forwards slowly and in a controlled manner.

Carrying the lawn scarifier with someone else with the handlebar unfolded



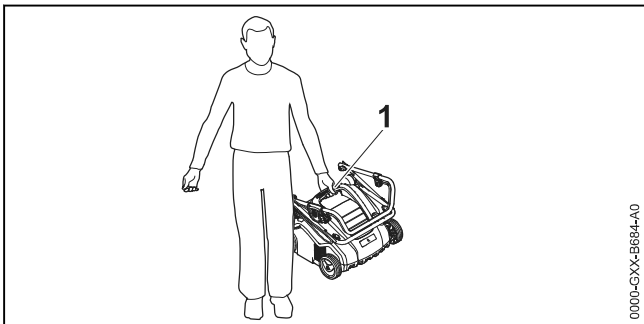
- ▶ One person holds the lawn scarifier by lower carrying handle (1) using both hands and another person holds handlebar (2) using both hands.
- ▶ The lawn scarifier must be lifted and carried by two people.
- ▶ Wear protective gloves.

Carrying the lawn scarifier with someone else with the handlebar folded



- ▶ Fold in the handlebar.
- ▶ One person holds the lawn scarifier at the front by lower carrying handle (1) using both hands and another person by the mounts of lower handlebar (2) using both hands.
- ▶ The lawn scarifier must be lifted and carried by two people.
- ▶ Wear protective gloves.

Carrying the lawn scarifier alone



- ▶ Fold in the handlebar.
- ▶ Hold the lawn scarifier by upper carrying handle (1).
- ▶ Lift and carry the lawn scarifier.

Transporting the lawn scarifier in a vehicle

- ▶ Secure the lawn scarifier so it does not tip over and cannot move.

14 Storing

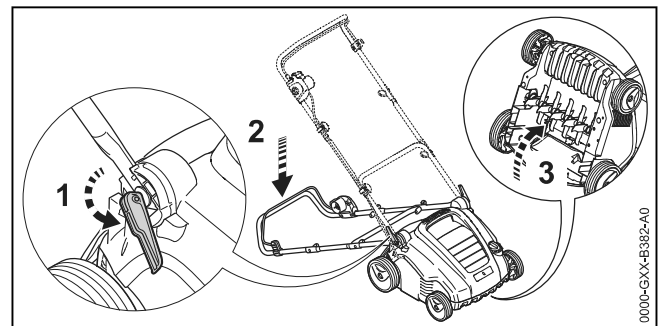
14.1 Storing the Lawn Scarifier


- ▶ Switch the lawn scarifier off and detach the extension cable connector from the mains plug of the lawn scarifier.
- ▶ Place the lawn scarifier on a level surface.
- ▶ Set the transport position.
- ▶ Store the lawn scarifier in accordance with the following conditions:
 - The lawn scarifier is out of reach of children.
 - The grass catcher box is emptied.
 - The lawn scarifier is clean and dry.
 - The lawn scarifier has cooled down.

15 Cleaning

15.1 Upending the Lawn Scarifier

- ▶ Switch the lawn scarifier off and detach the extension cable connector from the mains plug of the lawn scarifier.
- ▶ Place the lawn scarifier on a level surface.
- ▶ Set the transport position.
- ▶ Detach the grass catcher box.



- ▶ Place the handlebar in the lowest position,  7.1.
- ▶ Press the handlebar downwards with the left hand and hold.
- ▶ Hold the lawn scarifier at the lower transport handle with the right hand and upend.

15.2 Cleaning the Lawn Scarifier

- ▶ Switch the lawn scarifier off and detach the extension cable connector from the mains plug of the lawn scarifier.
- ▶ Place the lawn scarifier on a level surface.
- ▶ Clean the lawn scarifier with a damp cloth.
- ▶ Clean the discharge chute with a soft brush or a damp cloth.
- ▶ Clean the electric contacts on the lawn scarifier with a paintbrush or a soft brush.
- ▶ Clean the ventilation slots with a paintbrush.

- ▶ Upend the lawn scarifier.
- ▶ Clean the area around the roller and the roller with a soft brush or a damp cloth.

16 Maintenance

16.1 Maintenance Intervals

Maintenance intervals are dependent on the ambient conditions and the working conditions. STIHL recommends the following maintenance intervals:

After every fifth change of rollers

- ▶ Have the roller fastening screw replaced by a STIHL specialist dealer.

Annual

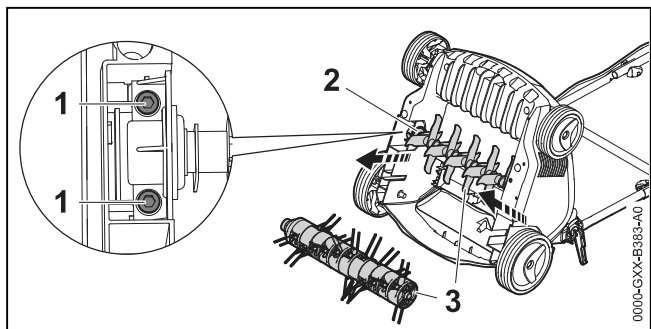
- ▶ Have the lawn scarifier serviced by a STIHL specialist dealer.

The current addresses of the specialist dealers can be found under the respective STIHL country representative at www.stihl.com.

16.2 Removing and Attaching the Roller

16.2.1 Detaching the Roller

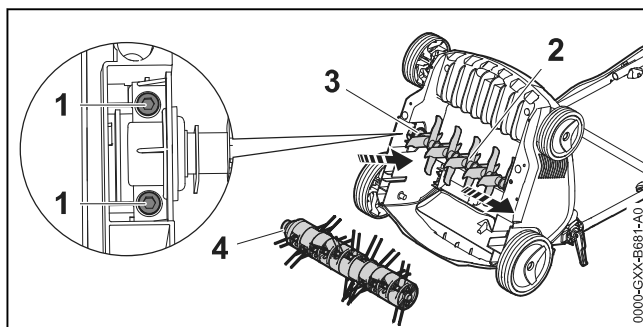
- ▶ Switch the lawn scarifier off and detach the extension cable connector from the mains plug of the lawn scarifier.
- ▶ Upend the lawn scarifier.



- ▶ Unscrew screws (1).
- ▶ Remove installed roller (3) together with holder (2).

16.2.2 Attaching the Roller

- ▶ Switch the lawn scarifier off and detach the extension cable connector from the mains plug of the lawn scarifier.
- ▶ Upend the lawn scarifier.



- ▶ Insert scarifying roller (2) or combing roller (4) together with holder (3) into the mount.
- ▶ Install screws (1) and tighten firmly.

17 Repairing

17.1 Repairing the Lawn Scarifier


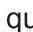


The user should not repair the lawn scarifier or rollers themselves.

- ▶ If the lawn scarifier or rollers are damaged: do not use the lawn scarifier or rollers and consult a STIHL specialist dealer.
- ▶ If warning signs are illegible or damaged: have the warning signs replaced by a STIHL specialist dealer.

18 Troubleshooting

18.1 Remedying Lawn Scarifier Faults

Fault	Cause	Remedy
The lawn scarifier does not start when switched on.	The plug or extension cable connector are not plugged in.	▶ Insert the plug and extension cable connector.
	The circuit breaker (fuse) or the residual current device tripped. The circuit is electrically overloaded or defective.	<ul style="list-style-type: none"> ▶ Find and fix the cause of the circuit breaker or RCD tripping. Insert the circuit breaker (fuse) or residual current device. ▶ Switch other power consumers in the same circuit off.

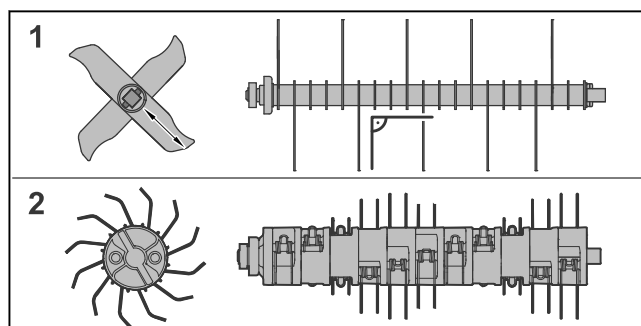
Fault	Cause	Remedy
	The fuse protection of the socket is too low.	▶ Insert the plug of the extension cable into a correctly fused socket,  19.1.
	The cross section of the extension cable is incorrect.	▶ Use an extension cable with an adequate cable cross section,  19.3.
	The extension cable is too long.	▶ Use an extension cable with the correct length,  19.3.
	The motor is overheated.	▶ Clean the lawn scarifier. ▶ Allow the lawn scarifier to cool down.
The lawn scarifier stops during operation.	The plug or extension cable connector are no longer plugged in.	▶ Insert the plug or extension cable connector.
	The circuit breaker (fuse) or the residual current device tripped. The circuit is electrically overloaded or defective.	▶ Find and fix the cause of the circuit breaker or RCD tripping. Insert the circuit breaker (fuse) or residual current device. ▶ Switch other power consumers in the same circuit off.
	The fuse protection of the socket is too low.	▶ Insert the plug of the extension cable into a correctly fused socket,  19.1.
	The overload protection has triggered.	▶ Clean the lawn scarifier. ▶ Reduce the working depth. ▶ Reset the overload protection.
	The roller is blocked.	▶ Reduce the working depth. ▶ Clean the lawn scarifier.
The lawn scarifier vibrates unusually.	The roller is damaged.	▶ Check the roller for loose parts or damage. ▶ Tighten loose parts, repair or replace damaged parts. ▶ Consult a STIHL specialist dealer.

19 Specifications

19.1 STIHL RLE 240.0 Lawn Scarifier

- Power supply: 230 V
- Frequency: 50 Hz
- Power consumption (P_1): 1500 W
- Weight (m) with scarifying roller and grass catcher box: 16 kg
- Maximum grass catcher box capacity: 50 l
- Working width: 34 cm
- Speed (n): 4100 rpm
- Working depth: Infinitely variable, adjustment range 15 mm
- Electrical protection class: II
- Electrical type of protection: IPX4

19.2 Rollers



Scarifying roller

- 20 fixed blades

Combing roller

- 11x2 moving spring-tines

19.3 Extension Cords

If an extension cord is used, it must have a ground wire and the wire gage of its conductors must meet the following minimum requirements – depending on the line voltage and length of the extension cord:

If rated voltage on the rating label is 220V to 240V:

- Cord length up to 20 m: AWG 15 / 1.5 mm²
- Cord length 20 m up to 50 m: AWG 13 / 2.5 mm²

If rated voltage on the rating label is 100 V to 127 V:

- Cord length up to 10 m: AWG 14 / 2.0 mm²
- Cord length 10 m up to 30 m: AWG 12 / 3.5 mm²

19.4 Sound Values and Vibration Values

- Sound pressure level L_{pA} measured in accordance with EN IEC 62841-4-7: 79 dB(A)
- Uncertainty K_{pA} : 3 dB(A)
- Guaranteed sound power level L_{WAAd} measured in accordance with 2000/14/EC: 95 dB(A)

Specified vibration characteristic in accordance with EN 12096:

- Vibration value a_h measured in accordance with EN IEC 62841-4-7, handlebar: 5.2 m/s²
- Uncertainty K_h : 2.08 m/s²

The specified sound and vibration values were measured according to a standardised test procedure and can be used to compare electrical appliances. The actual sound and vibration values that occur may deviate from the indicated values, depending on the type of application. The specified sound and vibration values can be used for an initial assessment of the sound and vibration exposure. The actual sound and vibration load must be assessed. Times during which the electrical appliance is switched off, along with times during which it is switched on but running without load, can also be taken into consideration.

For information on compliance with Employers' Vibration Directive 2002/44/EC, see www.stihl.com/vib.


19.5 REACH

REACH is an EC regulation and stands for the Registration, Evaluation, Authorisation and Restriction of Chemical substances.

For information on compliance with the REACH regulation see www.stihl.com/reach.

20 Spare Parts and Accessories

20.1 Spare parts and accessories

STIHL  These symbols indicate original STIHL spare parts and original STIHL accessories.

STIHL recommends the use of original STIHL spare parts and accessories.

Despite ongoing market observation, STIHL is unable to judge the reliability, safety and suitability of other manufacturers' spare parts and accessories; accordingly, STIHL cannot warrant for the use of those parts.

Original STIHL spare parts and original STIHL accessories are available from STIHL dealers.

20.2 Essential Spare Parts

- Scarifying roller: 6291 700 3500
- Combing roller: 6291 710 5200

21 Disposal

21.1 Disposing of the Lawn Scarifier

Information on disposal is available from your local authority or from a STIHL specialist dealer.

Improper disposal may be harmful to health and pollute the environment.

- ▶ Take STIHL products including packaging to a suitable collection point for recycling in accordance with local regulations.
- ▶ Do not dispose of the product with domestic waste.

22 EC Declaration of Conformity

22.1 STIHL Lawn Scarifier RLE 240.0

STIHL Tirol GmbH
Hans Peter Stihl-Strasse 5
6336 Langkampfen

Austria

declares under our sole responsibility that

- design: lawn scarifier
- manufacturer's brand: STIHL
- type: RLE 240.0
- Power: 1500 W
- serial number: 6291

complies with the relevant provisions of Directives 2000/14/EC, 2006/42/EC, 2011/65/EU and

2014/30/EU and has been developed and manufactured in accordance with the versions of the following standards valid on the date of manufacture: EN IEC 62841-4-7, EN 62841-1, EN 55014-1 and EN 55014-2.

The measured and guaranteed sound power levels were determined in accordance with Directive 2000/14/EC, Appendix V.

- Measured sound power level: 90.1 dB(A)
- Guaranteed sound power level: 95 dB(A)

The technical documents are stored at STIHL Tirol GmbH.

The year of manufacture and machine number are indicated on the lawn scarifier.

Langkampfen, 04.09.2024

STIHL Tirol GmbH

p.p. 

V

Matthias Fleischer, Head of Product Development

p.p. 

V

Sven Zimmermann, Head of Quality Department

23 Addresses

www.stihl.com

24 General and Product-Specific Safety Instructions

24.1 Introduction

This section reproduces the general and product-specific safety instructions prescribed and pre-formulated in the product standard.

The safety information for avoiding electric shock given under "Electrical Safety" is not applicable to STIHL battery products, with the exception of point c).



WARNING

- **Read all safety warnings, instructions, illustrations and specifications provided with this lawn scarifier.** Failure to follow all instructions listed below may result in electric shock, fire and/or serious injury. **Save all warnings and instructions for future reference.**

24.2 Work Area Safety

- a) **Keep work area clean and well lit.** Cluttered or dark areas invite accidents.
- b) **Do not operate lawn scarifiers in explosive atmospheres, such as in the presence of flammable liquids, gases or dust.** Lawn scarifiers create sparks which may ignite the dust or fumes.
- c) **Keep children and bystanders away while operating a lawn scarifier.** Distractions can cause you to lose control.

24.3 Electrical Safety

- a) **Lawn scarifier plugs must match the outlet. Never modify the plug in any way. Do not use any adapter plugs with earthed (grounded) lawn scarifiers.** Unmodified plugs and matching outlets will reduce risk of electric shock.
- b) **Avoid body contact with earthed or grounded surfaces, such as pipes, radiators, ranges and refrigerators.** There is an increased risk of electric shock if your body is earthed or grounded.
- c) **Do not operate the lawn scarifier in rain or wet conditions.** This may increase the risk of electric shock.
- d) **Do not abuse the cord. Never use the cord for carrying, pulling or unplugging the lawn scarifier. Keep cord away from heat, oil, sharp edges or moving parts.** Damaged or entangled cords increase the risk of electric shock.
- e) **When operating a lawn scarifier outdoors, use an extension cord suitable for outdoor use.** Use of a cord suitable for outdoor use reduces the risk of electric shock.
- f) **If operating a lawn scarifier in a damp location is unavoidable, use a residual current device (RCD) protected supply.** Use of an RCD reduces the risk of electric shock.

24.4 Personal Safety

- a) **Stay alert, watch what you are doing and use common sense when operating a lawn scarifier. Do not use a lawn scarifier while you are tired or under the influence of drugs, alcohol or medication.** A moment of inattention while operating lawn scarifiers may result in serious personal injury.
- b) **Use personal protective equipment. Always wear eye protection.** Protective equipment

such as a dust mask, non-skid safety shoes, hard hat or hearing protection used for appropriate conditions will reduce personal injuries.

- c) **Prevent unintentional starting. Ensure the switch is in the off-position before connecting to power source and/or battery pack, picking up or carrying the lawn scarifier.** Carrying lawn scarifiers with your finger on the switch or energising lawn scarifiers that have the switch on invites accidents.
- d) **Remove any adjusting key or wrench before turning the lawn scarifier on.** A wrench or a key left attached to a rotating part of the lawn scarifier may result in personal injury.
- e) **Do not overreach. Keep proper footing and balance at all times.** This enables better control of the lawn scarifier in unexpected situations.
- f) **Dress properly. Do not wear loose clothing or jewellery. Keep your hair and clothing away from moving parts.** Loose clothes, jewellery or long hair can be caught in moving parts.
- g) **If devices are provided for the connection of dust extraction and collection facilities, ensure these are connected and properly used.** Use of dust collection can reduce dust-related hazards.
- h) **Do not let familiarity gained from frequent use of lawn scarifiers allow you to become complacent and ignore lawn scarifier safety principles.** A careless action can cause severe injury within a fraction of a second.

24.5 Lawn Scarifier Use and Care

- a) **Do not force the lawn scarifier. Use the correct lawn scarifier for your application.** The correct lawn scarifier will do the job better and safer at the rate for which it was designed.
- b) **Do not use the lawn scarifier if the switch does not turn it on and off.** Any lawn scarifier that cannot be controlled with the switch is dangerous and must be repaired.
- c) **Disconnect the plug from the power source and/or remove the battery pack, if detachable, from the lawn scarifier before making any adjustments, changing accessories or storing lawn scarifiers.** Such preventive safety measures reduce the risk of starting the lawn scarifier accidentally.
- d) **Store idle lawn scarifiers out of the reach of children and do not allow persons unfamiliar**

with the lawn scarifier or these instructions to operate the lawn scarifier. Lawn scarifiers are dangerous in the hands of untrained users.

- e) **Maintain lawn scarifiers and accessories.** Check for misalignment or binding of moving parts, breakage of parts and any other condition that may affect the lawn scarifier's operation. If damaged, have the lawn scarifier repaired before use. Many accidents are caused by poorly maintained lawn scarifiers.
- f) **Keep cutting tools sharp and clean.** Properly maintained cutting tools with sharp cutting edges are less likely to bind and are easier to control.
- g) **Use the lawn scarifier, accessories and tool bits etc. in accordance with these instructions, taking into account the working conditions and the work to be performed.** Use of the lawn scarifier for operations different from those intended could result in a hazardous situation.
- h) **Keep handles and grasping surfaces dry, clean and free from oil and grease.** Slippery handles and grasping surfaces do not allow for safe handling and control of the lawn scarifier in unexpected situations.

24.6 Service

- a) **Have your lawn scarifier serviced by a qualified repair person using only identical replacement parts.** This will ensure that the safety of the lawn scarifier is maintained.

24.7 Safety Instructions for Electric Lawn Scarifiers

- a) **Do not use the lawn scarifier in bad weather conditions, especially when there is a risk of lightning.** This decreases the risk of being struck by lightning.
- b) **Thoroughly inspect the area for wildlife where the lawn scarifier is to be used.** Wildlife may be injured by the lawn scarifier during operation.
- c) **Thoroughly inspect the area where the lawn scarifier is to be used and remove all stones, sticks, wires, bones, and other foreign objects.** Thrown objects can cause personal injury.
- d) **Before using the lawn scarifier, always visually inspect to see that the tines and the tines assembly are not worn or damaged.** Worn or damaged parts increase the risk of injury.

- e) **Before use, check the supply cord and any extension cord for signs of damage or aging. Do not use the lawn scarifier if the cord is damaged or worn. If the cord is damaged or worn during use, switch off the lawn scarifier and do not touch the cord before disconnecting it from the supply.** A damaged supply cord or extension cord may result in electric shock, fire and/or serious injury.
- f) **Check the catcher frequently for wear or deterioration.** A worn or damaged catcher may increase the risk of personal injury.
- g) **Keep guards in place. Guards must be in working order and be properly mounted.** A guard that is loose, damaged, or is not functioning correctly may result in personal injury.
- h) **Keep all cooling air inlets clear of debris.** Blocked air inlets and debris may result in overheating or risk of fire.
- i) **While operating the lawn scarifier, always wear non-slip and protective footwear. Do not operate the lawn scarifier when barefoot or wearing open sandals.** This reduces the chance of injury to the feet from contact with the moving tines.
- j) **While operating the lawn scarifier, always wear long trousers.** Exposed skin increases the likelihood of injury from thrown objects.
- k) **Do not operate the lawn scarifier in wet grass. Walk, never run.** This reduces the risk of slipping and falling which may result in personal injury.
- l) **Do not operate the lawn scarifier on excessively steep slopes.** This reduces the risk of loss of control, slipping and falling which may result in personal injury.
- m) **When working on slopes, always be sure of your footing, always work across the face of slopes, never up or down and exercise extreme caution when changing direction.** This reduces the risk of loss of control, slipping and falling which may result in personal injury.
- n) **Use extreme caution when reversing or pulling the lawn scarifier towards you. Always be aware of your surroundings.** This reduces the risk of tripping during operation.
- o) **Keep the supply cord away from the tines.** A damaged supply cord may result in electric shock, fire and/or serious injury.
- p) **Switch off and remove plug from mains if the cord is entangled or damaged.** Entangled or

damaged cords can increase the risk of electric shock.

- q) **Hold the lawn scarifier by insulated gripping surfaces only, because the tines may contact hidden wiring or its own cord.** Tines contacting a "live" wire may make exposed metal parts of the lawn scarifier "live" and could give the operator an electric shock.
- r) **Do not touch tines and other hazardous moving parts while they are still in motion.** This reduces the risk of injury from moving parts.
- s) **When clearing jammed material or cleaning the lawn scarifier, make sure all power switches are off and the power cord is disconnected.** Unexpected operation of the lawn scarifier may result in serious personal injury.

Table des matières

1	Préface.....	39
2	Informations concernant la présente Notice d'emploi.....	40
3	Vue d'ensemble.....	40
4	Prescriptions de sécurité.....	41
5	Préparation du scarificateur.....	46
6	Assemblage du scarificateur.....	47
7	Réglage du scarificateur pour l'utilisateur.	48
8	Branchement électrique du scarificateur...	49
9	Mise en marche et arrêt du scarificateur...	49
10	Contrôle du scarificateur.....	49
11	Utilisation du scarificateur.....	50
12	Après le travail.....	51
13	Transport.....	51
14	Rangement.....	52
15	Nettoyage.....	52
16	Maintenance.....	53
17	Réparation.....	53
18	Dépannage.....	54
19	Caractéristiques techniques.....	54
20	Pièces de rechange et accessoires.....	55
21	Mise au rebut.....	56
22	Déclaration de conformité UE.....	56
23	Adresses.....	56
24	Consignes de sécurité générales et spécifiques au produit.....	56

1 Préface

Chère cliente, cher client,

Nous vous remercions d'avoir choisi un produit STIHL. Dans le développement et la fabrication de nos produits, nous mettons tout en œuvre