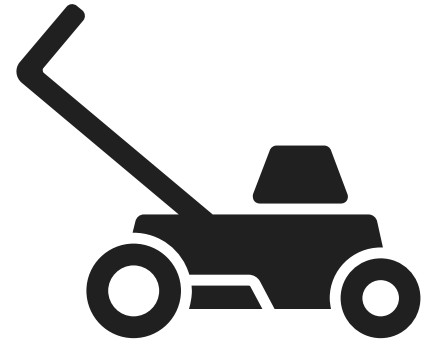




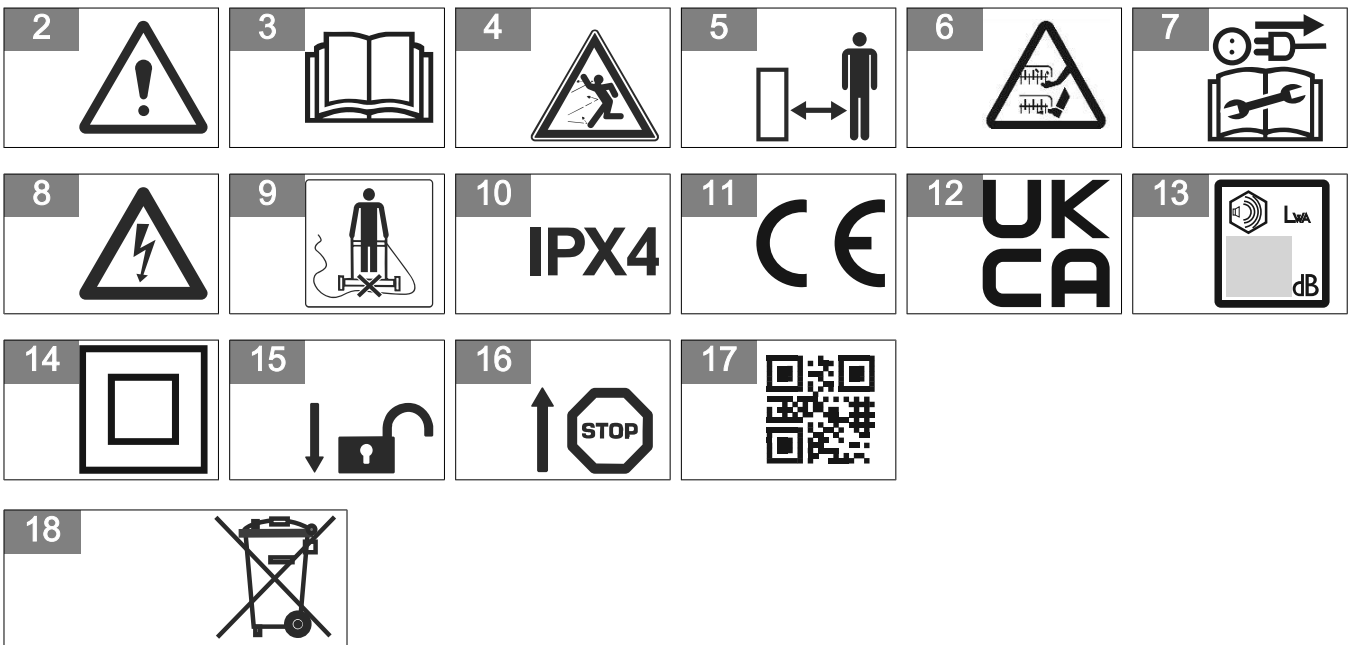
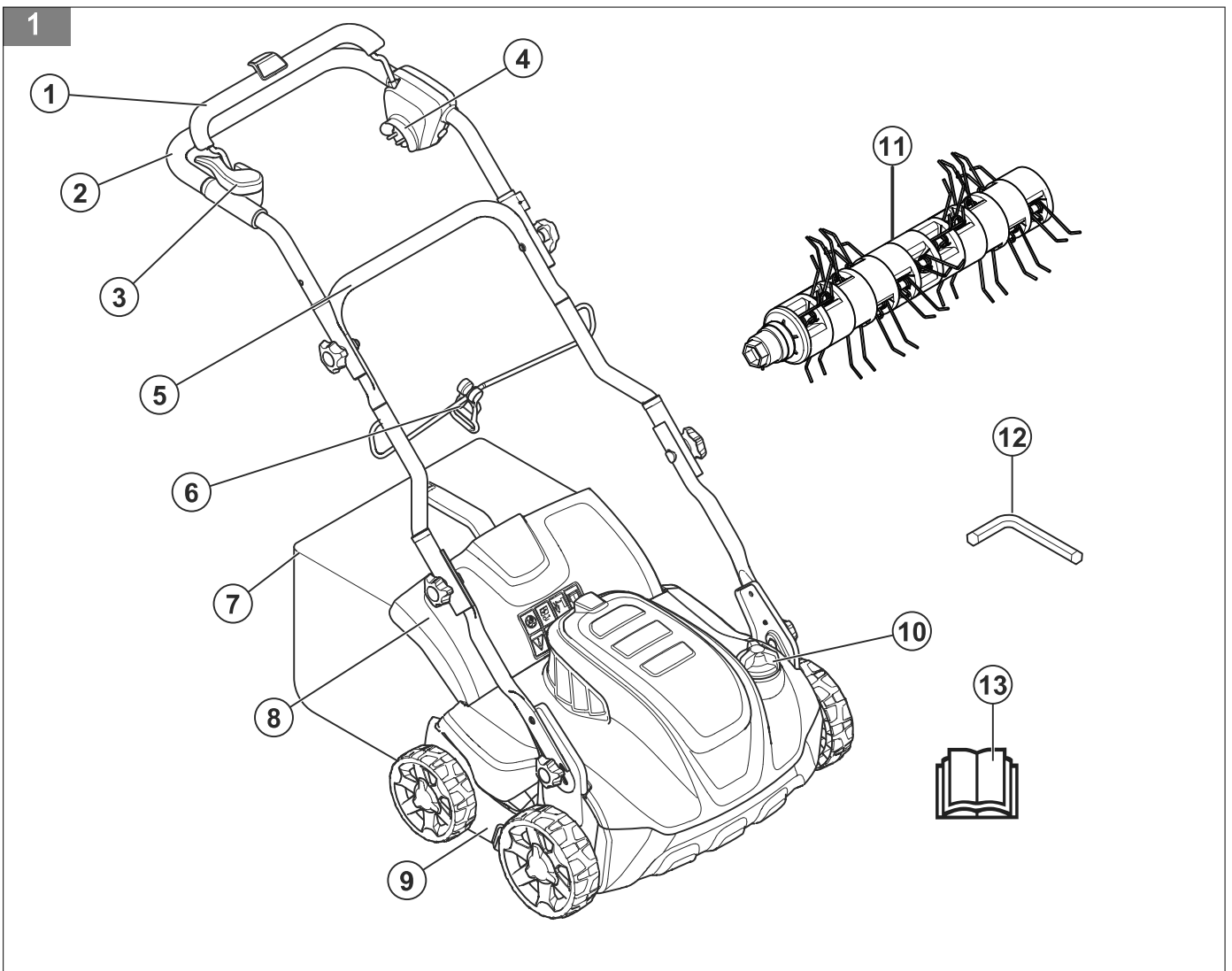
Husqvarna®



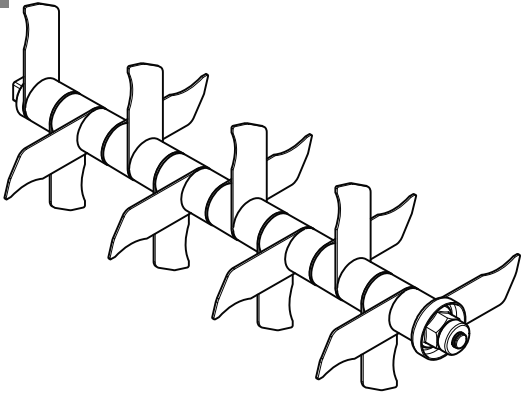
S 138C



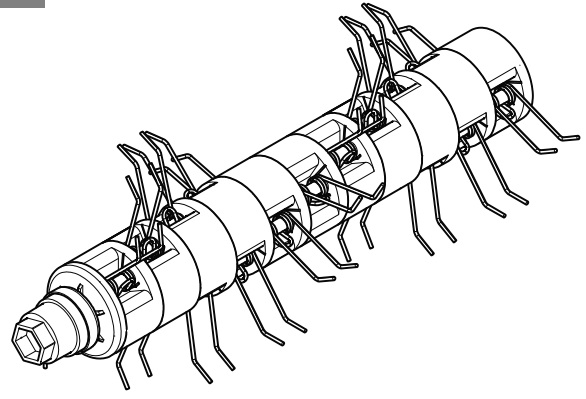
EN	Operator's manual	6-18
BG	Ръководство за експлоатация	19-34
CS	Návod k použití	35-48
DA	Brugsanvisning	49-62
DE	Bedienungsanweisung	63-78
EL	Οδηγίες χρήσης	79-94
ES	Manual de usuario	95-109
ET	Kasutusjuhend	110-122
FI	Käyttöohje	123-136
FR	Manuel d'utilisation	137-151
HR	Priručnik za korištenje	152-165
HU	Használati utasítás	166-180
IT	Manuale dell'operatore	181-195
LT	Operatoriaus vadovas	196-209
LV	Lietošanas pamācība	210-223
NL	Gebruiksaanwijzing	224-238
NO	Bruksanvisning	239-251
PL	Instrukcja obsługi	252-266
PT	Manual do utilizador	267-281
RO	Instrucțiuni de utilizare	282-295
RU	Руководство по эксплуатации	296-312
SK	Návod na obsluhu	313-326
SL	Navodila za uporabo	327-339
SR	Priručnik za rukovaoca	340-353
SV	Bruksanvisning	354-366
TR	Kullanım kılavuzu	367-379
UK	Посібник користувача	380-395
JA	取扱説明書	396-408



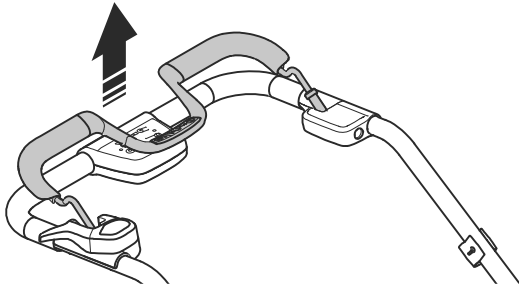
19



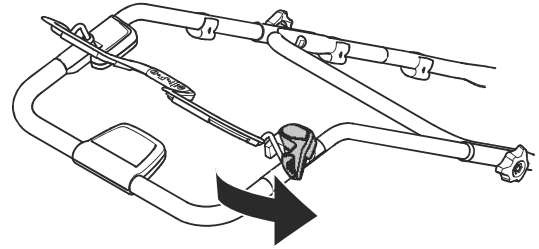
20



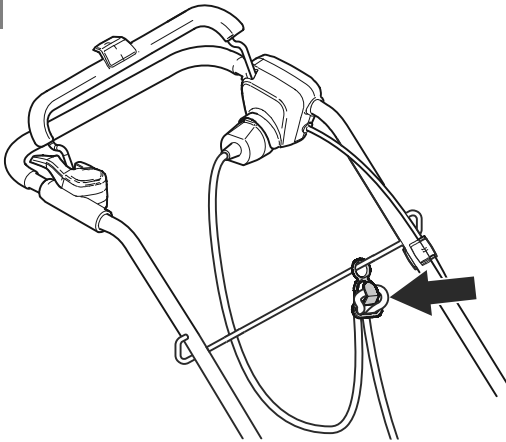
21



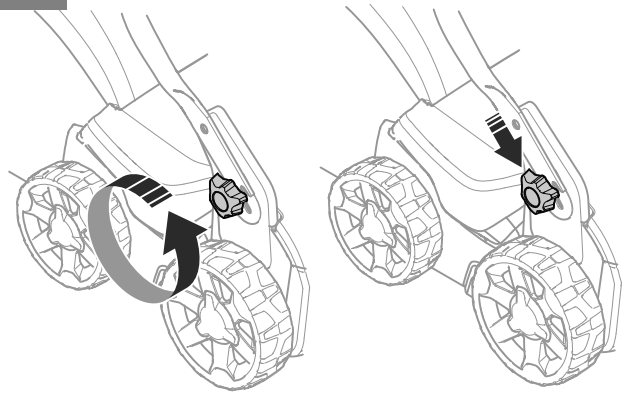
22



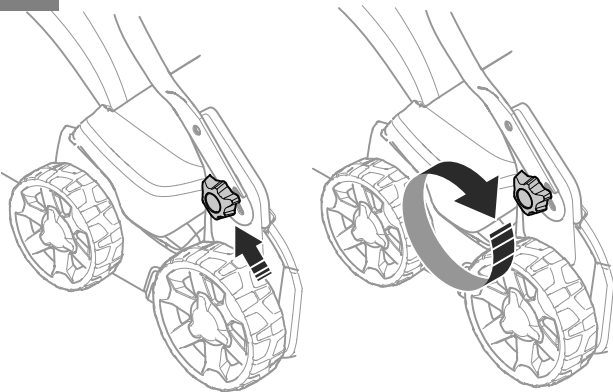
23



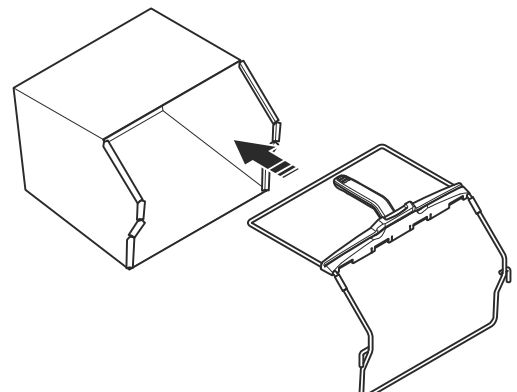
24

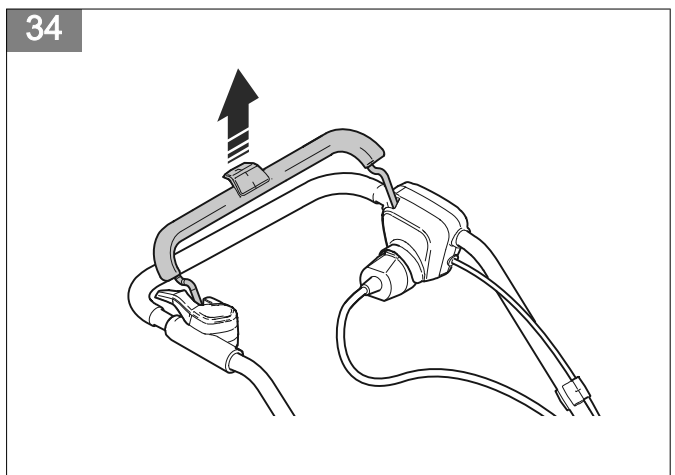
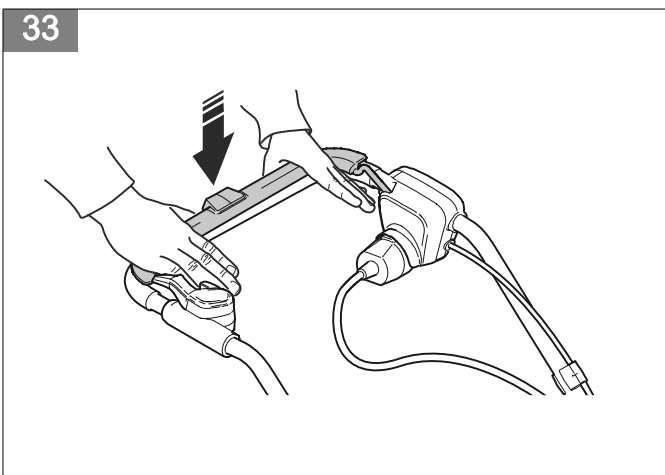
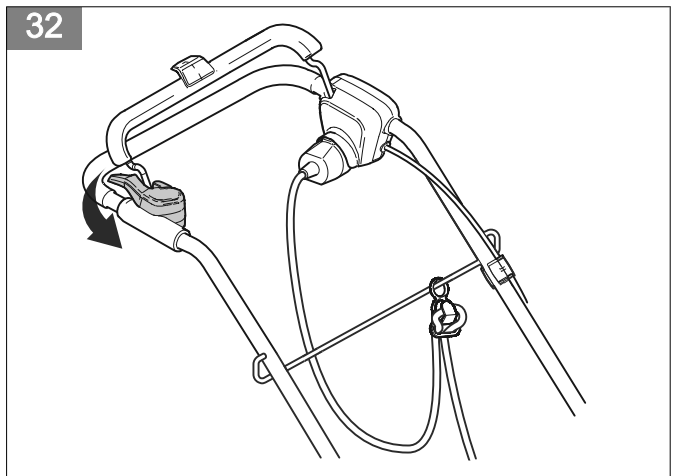
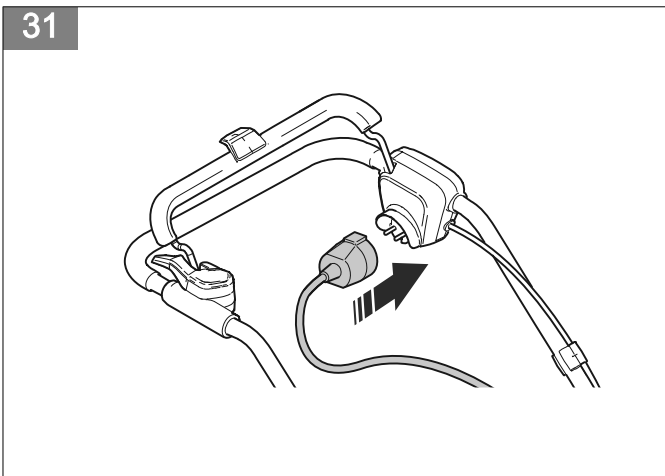
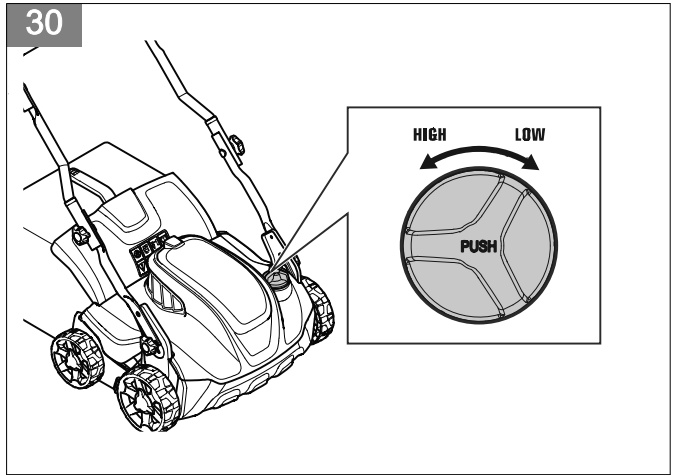
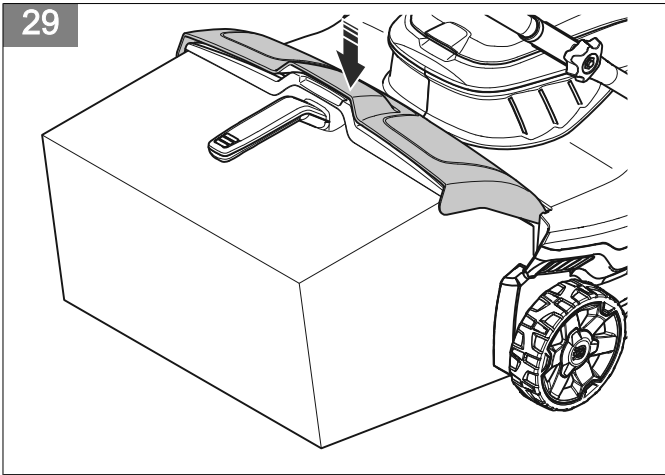
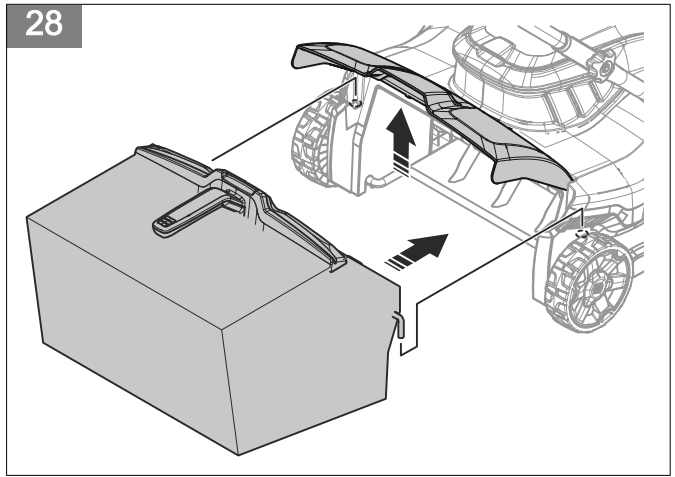
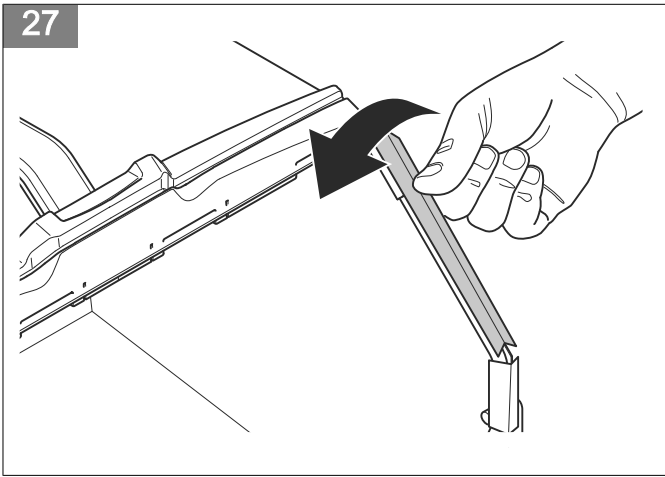


25

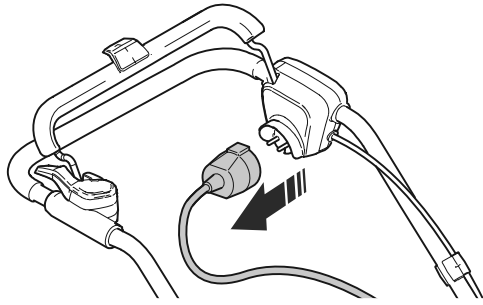


26

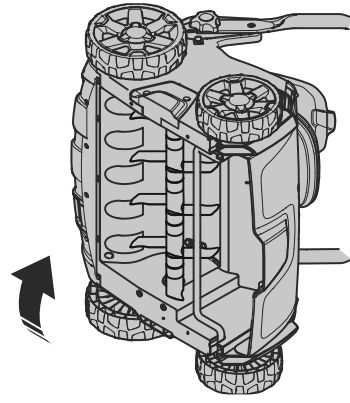




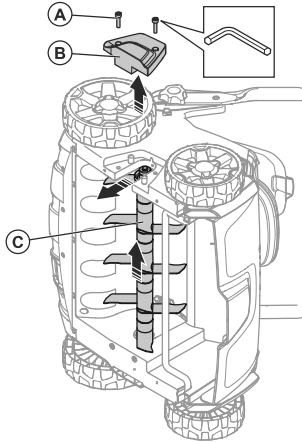
35



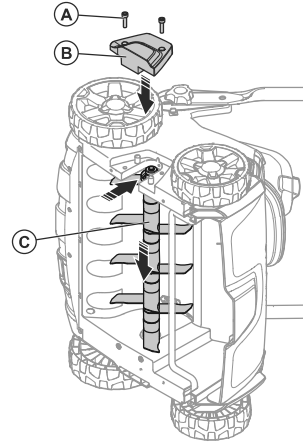
36



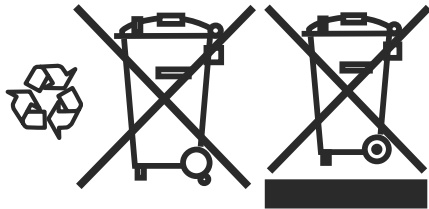
37



38



39



Contents

Introduction.....	6	Troubleshooting.....	16
Safety.....	8	Transportation, storage and disposal.....	16
Assembly.....	14	Technical data.....	17
Operation.....	14	Declaration of Conformity.....	18
Maintenance.....	15		

Introduction

Product description

The product is a pedestrian-controlled electrical dethatcher. The product removes thatch from the lawn to let air and water into the lawn. The thatch is collected in a grass catcher or is released on to the lawn. The product has 2 types of dethatcher equipment.

Dethatcher equipment

Refer to *To replace the dethatcher equipment on page 16* for information on how to replace the dethatcher equipment.

Blade tines

The blade tines remove weed, moss, old clippings and thatch. The blade tines let the water go down into the lawn and prevent that water collects on the surface

Product overview

(Fig. 1)

1. Motor brake handle
2. Upper handle
3. Start inhibitor
4. Power socket
5. Lower handle
6. Cable clamp
7. Grass catcher
8. Rear cover
9. Dethatcher cover
10. Adjustment knob for the work depth
11. Spring tines
12. Hex key
13. Operator's manual

Symbols on the product

(Fig. 2)

Warning: Not careful or incorrect use can result in injury or death for the operator or others.

(Fig. 19)

Spring tines

The spring tines carefully remove moss, dead grass and thatch from the lawn. The spring tines allow water and nutrients to enter the lawn.

(Fig. 20)

Intended use

Use the product to remove thatch and moss in private gardens. Do not use the product for other tasks.

(Fig. 3)

Read the operator's manual and make sure that you understand the instructions before you use this product.

(Fig. 4)

Look out for thrown objects and ricochets.

(Fig. 5)

Keep persons and animals at a safe distance from the work area.

(Fig. 6)

WARNING - Keep hands and feet away from the tines.

(Fig. 7)	Disconnect the product from electrical outlet before you do maintenance on the product. Tines continue to rotate after the motor is switched off.	2017". The guaranteed sound power level of the product is specified in <i>Technical data on page 17</i> and on the label.
(Fig. 8)	Electrical shock hazard.	(Fig. 14) Double insulation.
(Fig. 9)	Warning: Do not operate the product across the power cord as this can result in electrical shock or damage to the product.	(Fig. 18) Recycle this product at a recycling location for electrical and electronic equipment. (Applies to Europe only)
(Fig. 10)	This product has protection against splashing water.	(Fig. 15) Start procedure: loosen start inhibitor, push motor brake handle down.
(Fig. 11)	This product is in accordance with applicable EC directives.	(Fig. 16) Release the motor brake handle to stop.
(Fig. 12)	This product conforms to the applicable UK regulations.	(Fig. 17) Scannable code.
(Fig. 13)	Noise emission to the environment label as per EU and UK directives and regulations, and New South Wales legislation "Protection of the Environment Operations (Noise Control) Regulation	<hr/> <p>Note: Other symbols/decals on the product refer to certification requirements for some markets.</p> <hr/> <p>Product damage</p> <p>We are not responsible for damages to our product if:</p> <ul style="list-style-type: none"> • the product is incorrectly repaired. • the product is repaired with parts that are not from the manufacturer or not approved by the manufacturer. • the product has an accessory that is not from the manufacturer or not approved by the manufacturer. • the product is not repaired at an approved service center or by an approved authority.

Safety definitions

Warnings, cautions and notes are used to point out specially important parts of the manual.



WARNING: Used if there is a risk of injury or death for the operator or bystanders if the instructions in the manual are not obeyed.



CAUTION: Used if there is a risk of damage to the product, other materials or the adjacent area if the instructions in the manual are not obeyed.

Note: Used to give more information that is necessary in a given situation.

General safety instructions



WARNING: Read the warning instructions that follow before you use the product.

- This product is dangerous if used incorrectly or if you are not careful. Injury or death can

occur if you do not obey the safety instructions.

- This product produces an electromagnetic field during operation. This field may under some circumstances interfere with active or passive medical implants. To reduce the risk of serious or fatal injury we recommend persons with medical implants to consult their physician and the medical implant manufacturer before operating this product.
- Always be careful and use your common sense. If you are not sure how to operate the product in a special situation, stop and speak to your Husqvarna dealer before you continue.
- Keep in mind that the operator will be held responsible for accidents that involve other persons or their property.
- Keep the product clean. Make sure that you can clearly read signs and decals.
- Never allow children or people unfamiliar with these instructions to use the appliance. Local regulations may restrict the age of the operator.

- Always monitor a person, with decreased physical capacity or mental capacity, that uses the product. A responsible adult must be there at all times.
- Do not use the product if you are tired, ill, or under the influence of alcohol, drugs or medicine. This has a negative effect on your vision, alertness, coordination and judgment.
- Do not use the product if it is damaged or does not operate correctly.
- Do not change this product or use it if it is possible that it has been changed by others.
- Never use the product in bad weather such as fog, rain, strong winds, intense cold and risk of lightning. To use the product in bad weather or in moist or wet locations is tiring. Bad weather can cause dangerous conditions, such as slippery surfaces.
- Look out for persons, objects and situations that can prevent safe operation of the product.
- Look out for obstacles, such as roots, stones, twigs, pits and ditches. Long grass can hide obstacles.
- To operate the product on slopes can be dangerous. Do not use the product on ground that slopes more than 15°.
- Operate the product across the face of slopes. Do not move up and down.
- Be careful when you go near hidden corners and objects that prevent a clear view.

Work area safety



WARNING: Read the warning instructions that follow before you use the product.

- Remove objects such as branches, twigs and stones from the work area before you use the product.
- Objects that hit against the dethatcher equipment can eject and cause damage to persons and objects. Keep bystanders and animals at a safe distance from the product.

Work safety



WARNING: Read the warning instructions that follow before you use the product.



WARNING: Stop the product, disconnect the

power cord and make sure that the tines have come to a complete stop before you touch the dethatcher equipment.

- Use this product to remove thatch and moss from grass lawns only. It is not permitted to use it for other tasks.
- Use personal protective equipment. Refer to *Personal protective equipment on page 11*.
- Do not operate the product in rain or wet conditions. The risk of electrical shock increases if water enters the product.
- Do not operate the product with a damaged power cord.
- Do not operate the product unless the dethatcher equipment and all covers are attached correctly. An incorrectly attached dethatcher equipment can come loose and cause personal injury.
- Make sure that the dethatcher equipment does not hit objects such as stones and roots. This can do damage to the dethatcher equipment and bend the motor shaft. A bent axle causes heavy vibration and a very high risk that

the dethatcher equipment becomes loose.

- If the dethatcher equipment hits an object or if vibrations occur, stop the product immediately. Stop the motor and disconnect the power cord. Examine the product for damages. Repair damages or let an authorised service agent do the repair.
- Never attach the motor brake handle permanently to the handle when the motor is started.
- Put the product on a stable, flat surface and start it. Make sure that the dethatcher equipment does not hit the ground or other objects.
- Always stay behind the product when you operate it.
- Let all the wheels stay on the ground and keep 2 hands on the handle when you operate the product. Keep your hands and feet away from the rotating dethatcher equipment.
- Do not tilt the product when the motor is started.
- Be careful when you pull the product rearward.
- Never lift up the product when the motor is started. If you must lift the product, first stop

the motor and disconnect the power cord.

- Do not walk rearward when you operate the product.
- Stop the motor when you move across areas without grass, for example paths made of gravel, stone and asphalt.
- Do not run with the product when the motor is started. Always walk when you operate the product.
- Stop the motor before you change the work depth. Never make adjustments with the motor started.
- Never let the product stay out of view with the motor started. Stop the motor, disconnect the power cord and make sure that the dethatcher equipment does not rotate.

Safety instructions for operation

Personal protective equipment

You must use approved personal protective equipment whenever you use the product. Personal protective equipment cannot eliminate the risk of injury but it will reduce the degree of injury if an accident does happen. Ask your dealer for help in choosing the right equipment.

Always wear:

- Hearing protection to minimise the risk of hearing impairment.
- Sturdy, non-slip boots or shoes. Do not wear sandals or go barefoot.
- Heavy, long pants. Do not wear shorts.

Wear gloves when required, for example when fitting, inspecting or cleaning the dethatcher equipment.



WARNING: Use approved hearing protection. Long term exposure to noise can result in permanent hearing impairment.

Safety devices on the product



WARNING: Read the warning instructions that follow before you use the product.

- Do not use a product with safety devices that are damaged or do not operate correctly.
- Do a check of the safety devices regularly. If the safety devices are damaged or do not operate correctly, speak

to your Husqvarna service agent.

To do a check of the covers

The dethatcher cover decreases vibrations in the product and decreases the risk of injury from the dethatcher equipment.

- Examine the side dethatcher cover to make sure that there are no damages such as cracks.
- Examine the rear cover to make sure that there are no damages such as cracks.

Motor brake handle

The motor brake handle stops the motor. When the motor brake handle is released, the motor stops.

To do a check of the motor brake, start the motor and then release the motor brake handle. If the motor does not stop in 3 seconds, let an approved Husqvarna service agent adjust the motor brake.

(Fig. 21)

To examine the start inhibitor

Do a check of the start inhibitor to make sure that it prevents operation of the motor.

1. Push the motor brake handle in the direction of the handlebar. The start inhibitor stops the movement.
2. Push the start inhibitor out. (Fig. 22)
3. Release the start inhibitor and make sure that it goes back to its initial position.

To use the power cord holder

The power cord holder decreases the strain on the power socket and the power cord. The power cord holder also decreases the risk that you fall.

1. Bend the power cord to a small loop.
2. Put the loop in to the hole in the power cord holder.
3. Put the loop around the hook.
4. Pull the power cord to tighten the loop around the hook. (Fig. 23)

Power cord safety

- The use of a Residual Current Device (R.C.D.) with a tripping current of not more than 30mA is recommended. Even with an R.D.C. installed, 100% safety cannot be guaranteed and

safe work procedures must be obeyed at all times. Do a check of your R.C.D. each time you use it.

- Immediately disconnect from the mains if the power cord is cut or the insulation is damaged.
- Do not touch a cut or damaged power cord until the electrical supply is disconnected.
- Do not repair a cut or damaged power cord. Replace it with a new one.

Safety instructions for maintenance



WARNING: Read the warning instructions that follow before you use the product.

- To prevent accidental start during maintenance, disconnect the power cord.
- Do the maintenance work correctly to increase the lifetime of the product and decrease the risk of accidents. Let an approved service agent do the professional repairs. Speak to your nearest service agent for more information.
- Only do the maintenance work written in this operator's manual. More extensive work must be done by an approved service agent.
- To prevent injury, do not remove or do modifications to safety devices.
- Put on heavy duty gloves when you use the dethatcher equipment. The dethatcher equipment is very sharp and cuts can easily occur.
- Keep the tines on the dethatcher equipment sharp and clean for the best and safest performance.
- Let your service agent regularly examine the product and make necessary adjustments and repairs.
- Replace damaged, worn or broken parts. Always use original spare parts from the manufacturer. Other spare parts can cause damage to the product and increase the risk of accidents.
- Obey the instructions for how to change accessories. Only use accessories from the manufacturer.

Assembly

Introduction



WARNING: Before you assemble the product, read the safety chapter.



WARNING: To prevent accidental start during assembly, disconnect the power cord.

To assemble the handle

1. Loosen the lower knobs.
2. Move the knobs to the lower end of the grooves on the left and the right side of the product. (Fig. 24)
3. Set the handle height in one of the 2 available positions.
4. Move the knobs up in the direction of the handle until they stop and you hear a click. (Fig. 25)

5. Tighten the knobs fully.

To assemble the grass catcher

1. Attach the grass catcher frame to the grass bag with the rigid part of the bag on the bottom. Keep the handle of the frame on top of the grass bag. (Fig. 26)
2. Attach the bottom section of the grass catcher frame in the groove on the bottom of the grass catcher.
3. Attach the grass bag to the grass catcher frame with the clips. (Fig. 27)
4. Lift the rear cover.
5. Move the grass catcher into the correct position. (Fig. 28)
6. Attach the grass catcher to the top edge of the chassis. Make sure that the rear cover seals against the grass catcher to prevent leakage. (Fig. 29)

Operation

Introduction



WARNING: Before you operate the product, you must read and understand the safety chapter.

Husqvarna Connect

Husqvarna Connect is a free app for your mobile device. The Husqvarna Connect app gives extended functions for your Husqvarna product:

- Extended product information.
- Information about, and help with, product parts and servicing.

To start to use Husqvarna Connect

1. Download the Husqvarna Connect app on your mobile device.
2. Register in the Husqvarna Connect app.
3. Do the instruction steps in the Husqvarna Connect app to connect and register the product.

To set the work depth



WARNING: Do not adjust the work depth when you operate the product.

1. Push and turn the adjustment knob for the work depth counterclockwise to increase the work depth.

2. Push and turn the adjustment knob for the work depth clockwise to decrease the work depth. (Fig. 30)

To start the product



WARNING: Do not operate the product across the power cord as this can result in electrical shock or damage to the product.



CAUTION: Cut the lawn before you use the product.

1. Connect a power cord to the socket below the handle. (Fig. 31)
 2. Set the work depth. Refer to *To set the work depth on page 14*. Put the roller in the highest position.
 3. Put the power cord in the power cord holder. Refer to *To use the power cord holder on page 12*. (Fig. 23)
 4. Stay behind the product.
 5. Loosen the start inhibitor. (Fig. 32)
 6. Push the motor brake handle in the direction of the handlebar. (Fig. 33)
 7. Carefully and slowly move the product forward.
-



CAUTION: Do not keep the product in the same position for a long time.

To use the product with the blade tines

- Slowly lower the roller to touch the ground slightly.
- Recommended work depth to get the best result is between 2 and 3 mm.

To use the product with the spring tines

- Slowly lower the roller until the spring tines touch the ground.

To stop the product

1. Release the motor brake handle to stop the motor. (Fig. 34)

2. Disconnect the power cord from the mains and then from the product. (Fig. 35)



CAUTION: Pull the plug straight out. Do not pull the power cord.

Maintenance

Introduction



WARNING: Before you do maintenance, you must read and understand the safety chapter.

For all servicing and repair work on the product, special training is necessary. We guarantee the availability of professional repairs and servicing. If your dealer is not a service agent, speak to them for information about the nearest service agent.

For more detailed information, refer to www.husqvarna.com.

Maintenance schedule

The maintenance intervals are calculated from daily use of the product. The intervals change if the product is not used daily.

For maintenance identified with *, refer to *Safety devices on the product on page 11*.

	Each use	Monthly	Each season
Do a general inspection.	X		
Clean the product.	X		
Examine the dethatcher equipment.	X		
Make sure that the safety devices on the product are not damaged. *	X		
Examine the covers. *	X		
Do a check of the motor brake handle. *	X		
Do a check of the start inhibitor. *	X		

To do a general inspection

- Make sure that the nuts and screws on the product are tightened.
- Make sure that the cables on the product are not in a position where they can get damaged.
- Make sure that there is no blockage in the product.

To clean the product

- Clean plastic parts with a clean and dry cloth.
- Do not use water to clean the product. Water can enter the battery or the motor and cause short circuit or damage to the product.
- Do not use a high pressure washer to clean the product.

- Do not flush water directly on the motor.
- Use a brush to remove leaves, grass and dirt.

To examine the dethatcher equipment



WARNING: To prevent accidental start, disconnect the power cord.



WARNING: Use protective gloves when you do maintenance on the dethatcher equipment. The tines on the dethatcher equipment are very sharp and cuts can easily occur.

- Examine the dethatcher equipment for damage or cracks. Always replace a damaged dethatcher equipment.

equipment. The dethatcher equipment is very sharp and cuts can easily occur

To replace the dethatcher equipment



WARNING: Use protective gloves when you do maintenance on the dethatcher

- Put the product on its right side. (Fig. 36)
- Remove the 2 screws (A) and the dethatcher cover (B). Push the dethatcher equipment (C) up and out to remove it. (Fig. 37)
- Push the new dethatcher equipment (C) into the groove and down the hole. Attach the dethatcher cover (B) and the 2 screws (A) (Fig. 38)

Troubleshooting

Troubleshooting

Problem	Possible cause	Solution
The product does not start.	The power cord is not connected to a power source.	Connect the power cord to a power source.
	The power cord is not connected to the product.	Connect the power cord to the socket below the handle.
	The motor brake handle is not pushed in the direction of the handlebar.	Push the motor brake handle in the direction of the handlebar.
	The power cord is damaged.	Speak to an approved service agent.
	Other errors.	

Transportation, storage and disposal

Transportation

- For commercial transports special requirements on package and labels must be obeyed.
- Make sure that you obey the regulations for dangerous material when you prepare the product for transport. Local regulations can apply.
- Attach the product during transport.

Storage

- Let the product become cool before storage.
- Keep the product where the ambient temperature is between -10°C and 40°C.
- Keep the product in a locked area out of reach for children and not approved persons.
- Clean the product and do a complete servicing before you put the product in storage for a long time.
- Do the maintenance procedures given in this operator's manual. Refer to *Maintenance schedule on page 15*.

- Do a complete servicing before long time storage.

Disposal

Symbols on the product or the packaging of the product indicate that this product cannot be handled as domestic waste. It must be submitted to an appropriate recycling station for the recovery of electrical and electronic equipment.

By ensuring that this product is taken care of correctly, you can help to counteract the potential negative impact on the environment and people that can otherwise result through the incorrect waste management of this product. For more detailed information about recycling this product, contact your municipality, your domestic waste service or the shop from where you purchased the product.

(Fig. 39)

Technical data

Technical data

S 138C	
Motor	
Motor type	Series AC Motor
Attachment speed – SavE, rpm	N/A
Attachment speed – Nominal, rpm	4200
Motor output – max. kW	1.8
Motor output – Nominal, kW	1.6
Weight	
Weight, kg	19.0
Noise emissions ¹	
Sound power level, measured dB (A)	96
Sound power level, guaranteed L _{WA} dB (A)	98
Sound levels ²	
Sound pressure level at the operators ear, dB (A)	82
Vibration levels ³	
Handle, m/s ²	8.3
Operation	
Work depth max/min, mm	-8/+5
Work width, cm	37.5
Blade tines attachment	5973510-01
Spring tines attachment	5973509-01
Grass catcher capacity, litre	45

¹ Noise emissions in the environment measured as sound power (L_{WA}) in conformity with EC directive 2000/14/EC.

² Reported data for noise pressure level has a typical statistical dispersion (standard deviation) of 1.2 dB (A).

³ Reported data for vibration level has a typical statistical dispersion (standard deviation) of 0.2 m/s².

Declaration of Conformity

EU Declaration of Conformity

We, **Husqvarna AB**, SE-561 82 Huskvarna, SWEDEN,
tel: +46 36 146500, declare on our sole responsibility
that the product:

Description	Scarifier
Brand	Husqvarna
Type / Model	S 138C
Identification	Serial numbers dating from 2023 and onwards

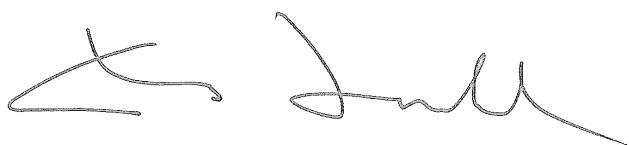
complies fully with the following EU directives and regulations:

Directive/Regulation	Description
2011/65/EU	"on the restriction of the use of certain hazardous substances in electrical and electronic equipment"
2006/42/EC	"relating to machinery"
2014/30/EU	"relating to electromagnetic compatibility"
2000/14/EC	"relating to the noise emissions in the environment"

and that the following standards and/or technical specifications are applied: EN 60335-1:2012/A11:2014/A13:2017/A15:2021, EN 50636-2-92:2014, EN 55014-1:2017/A11:2020, EN 55014-2:2015, EN 61000-3-2:2014, EN 61000-3-11:2000, EN IEC 63000:2018.

For information relating to noise emissions, refer to *Technical data on page 17*.

Huskvarna, 2024-03-01



Claes Losdal

Development Manager/Garden Products

Husqvarna AB

Responsible for technical documentation

