

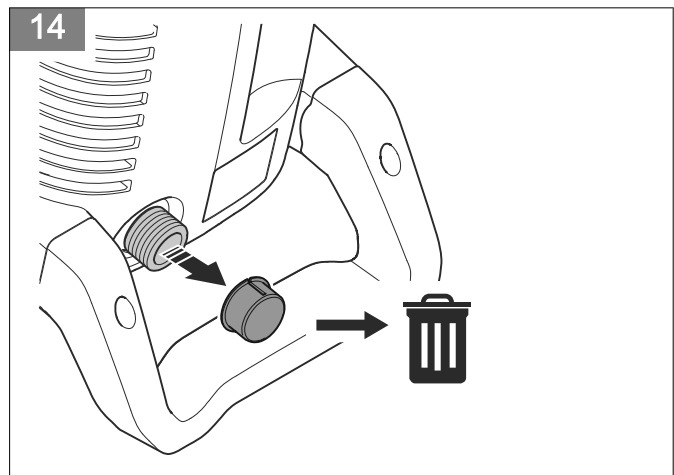
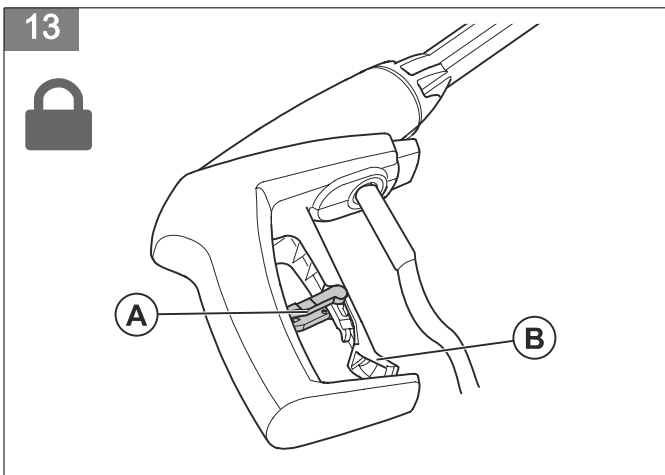
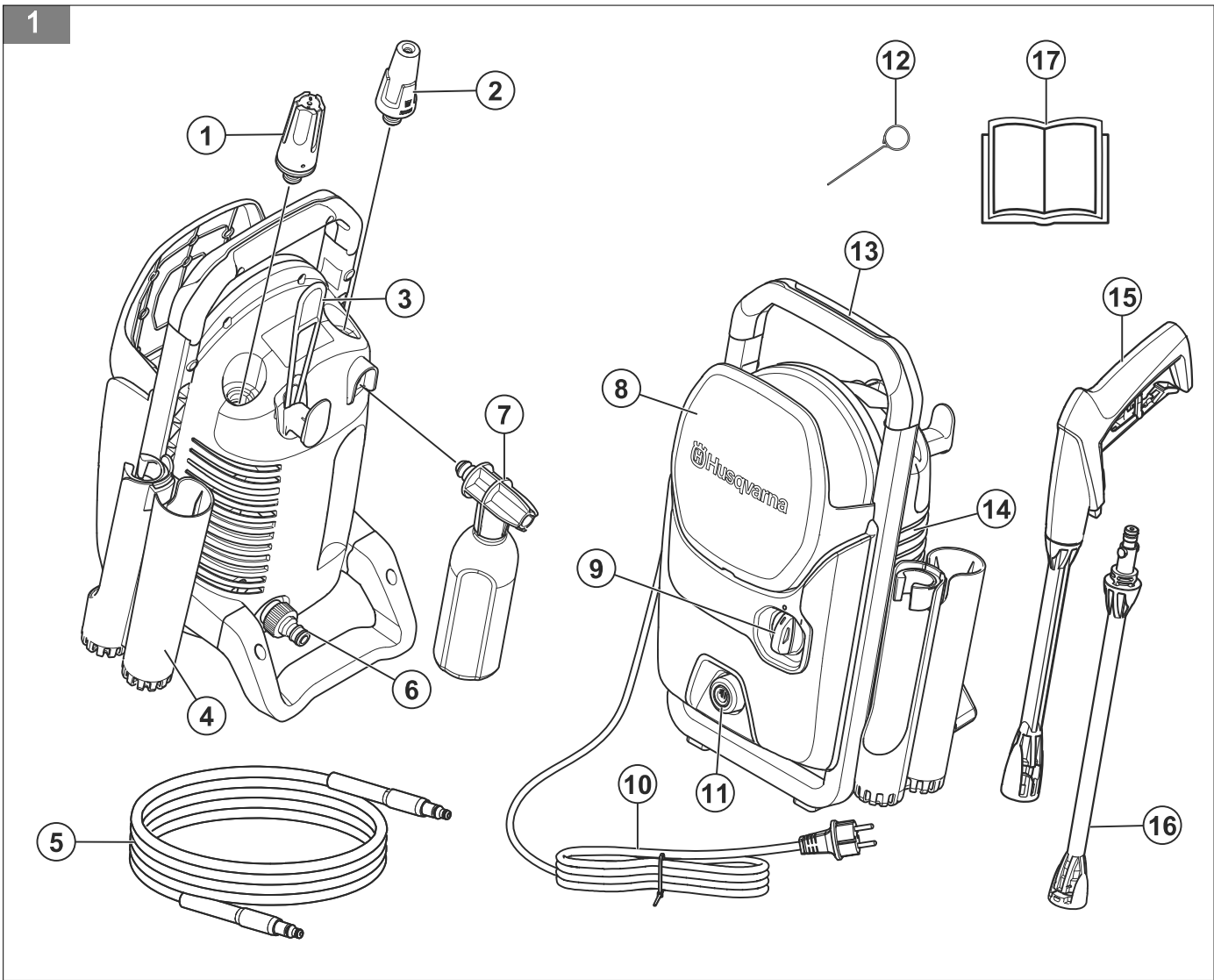
# Husqvarna®

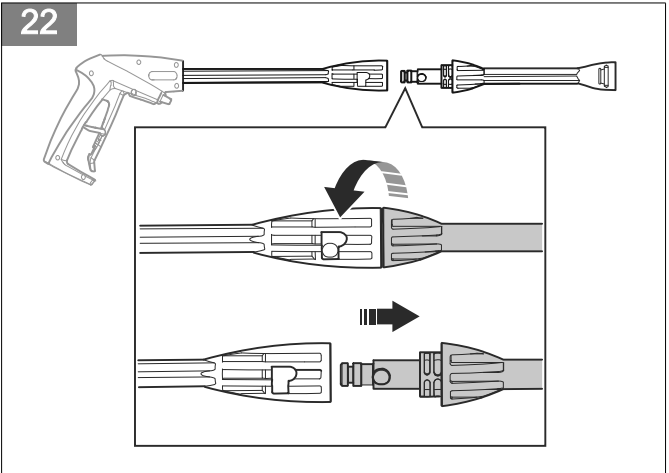
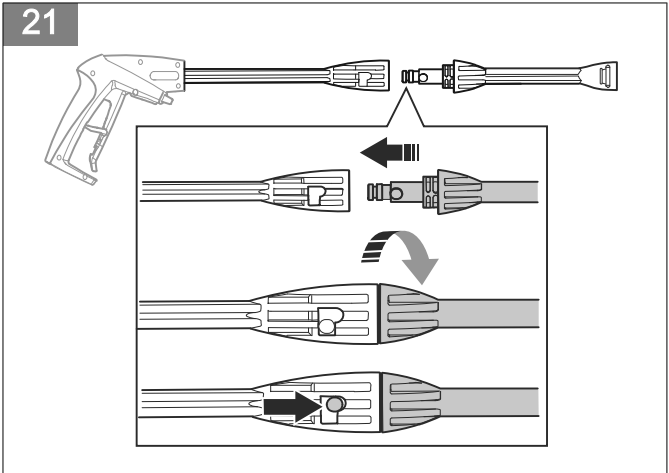
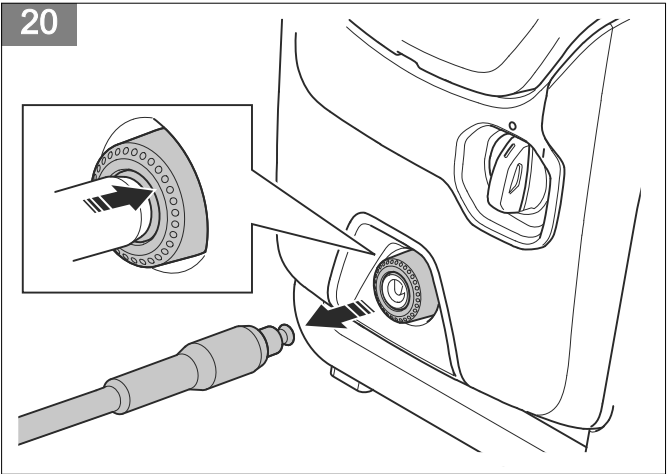
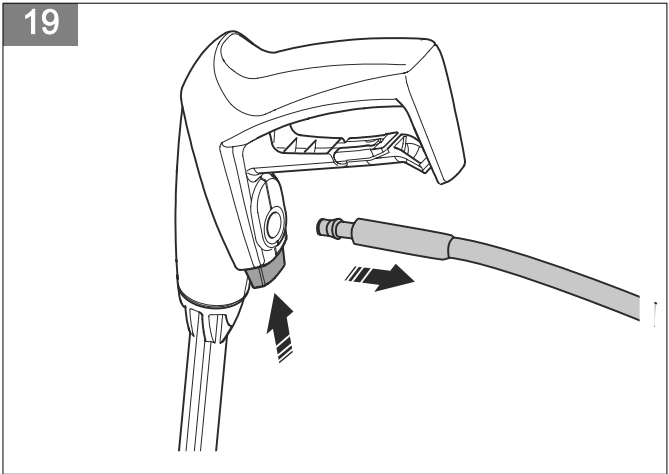
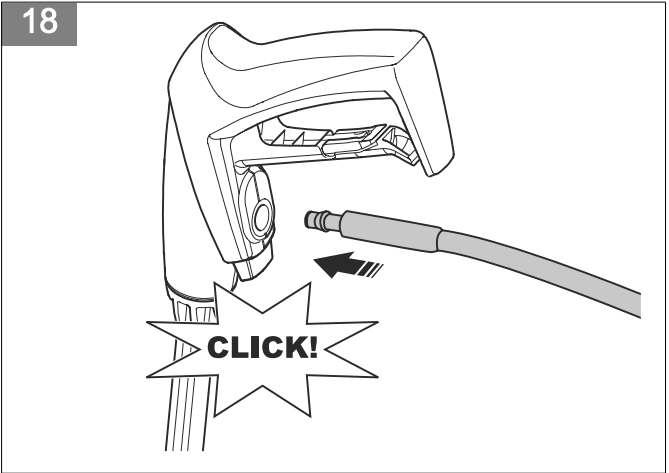
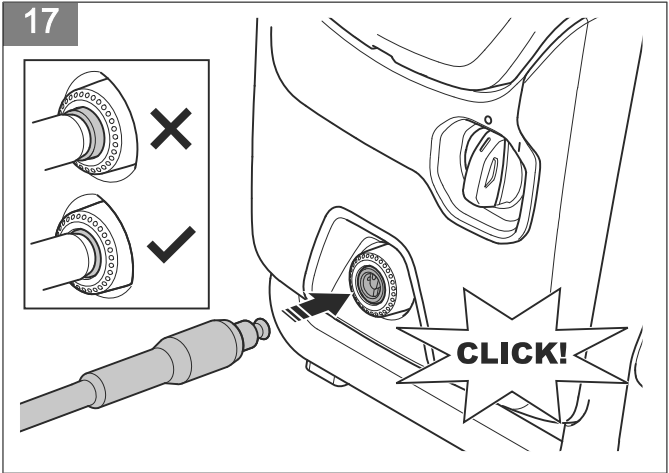
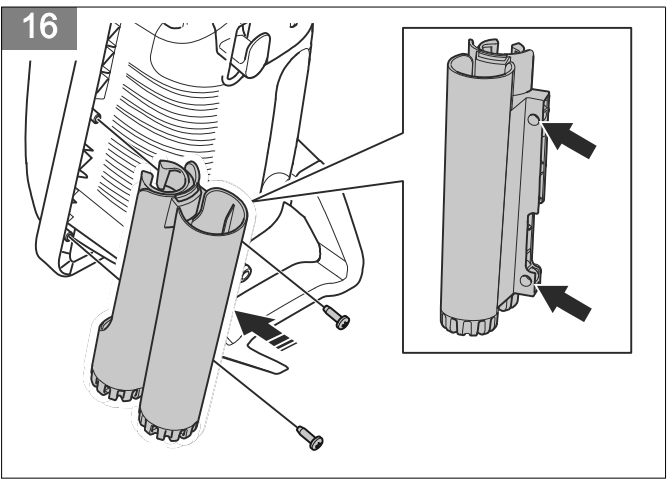
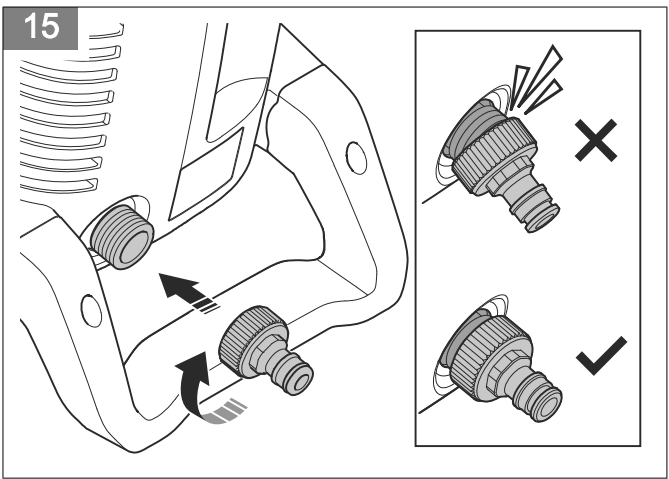


## PW 130



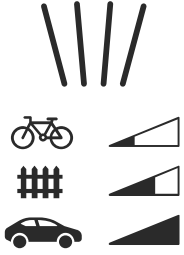
EN	Operator's manual	8-24
BG	Ръководство за експлоатация	25-43
CS	Návod k použití	44-59
DA	Brugsanvisning	60-75
DE	Bedienungsanweisung	76-94
EL	Οδηγίες χρήσης	95-113
ES	Manual de usuario	114-131
ET	Kasutusjuhend	132-146
FI	Käyttöohje	147-162
FR	Manuel d'utilisation	163-180
HR	Priručnik za korištenje	181-196
HU	Használati utasítás	197-213
IT	Manuale dell'operatore	214-230
LT	Operatoriaus vadovas	231-246
LV	Lietošanas pamācība	247-262
NL	Gebruiksaanwijzing	263-279
NO	Bruksanvisning	280-294
PL	Instrukcja obsługi	295-312
PT	Manual do utilizador	313-329
RO	Instrucțiuni de utilizare	330-347
RU	Руководство по эксплуатации	348-367
SK	Návod na obsluhu	368-384
SL	Navodila za uporabo	385-400
SR	Priručnik za rukovaoca	401-416
SV	Bruksanvisning	417-432
TR	Kullanım kılavuzu	433-448
UK	Посібник користувача	449-467
AR	دليل المشغل	468-481





23

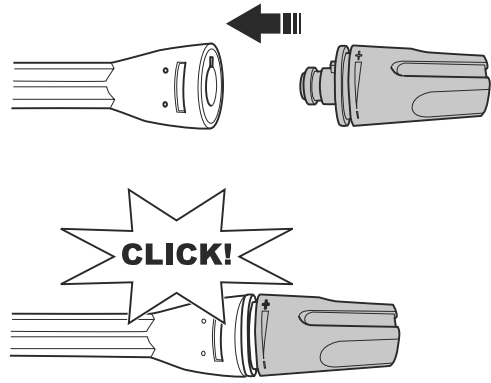
GENTLE NOZZLE



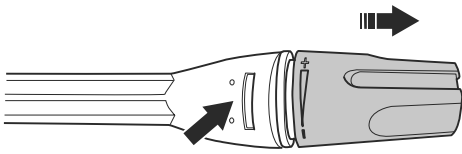
ROUGH NOZZLE



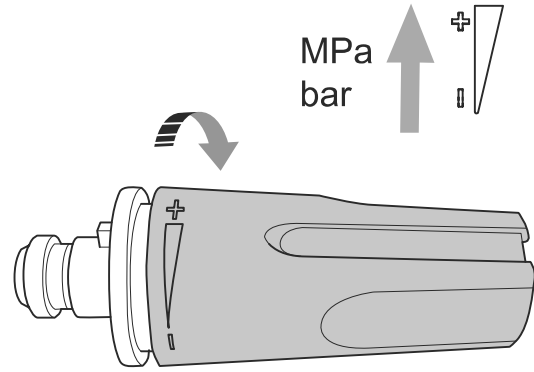
24



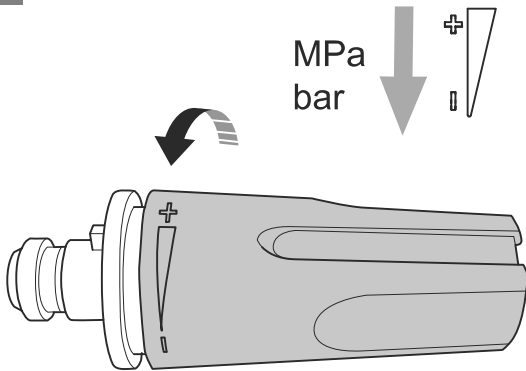
25



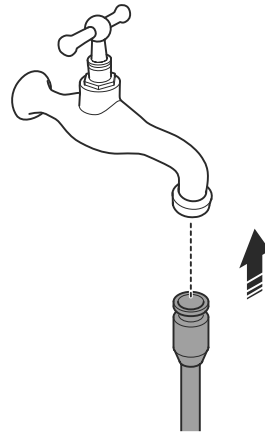
26



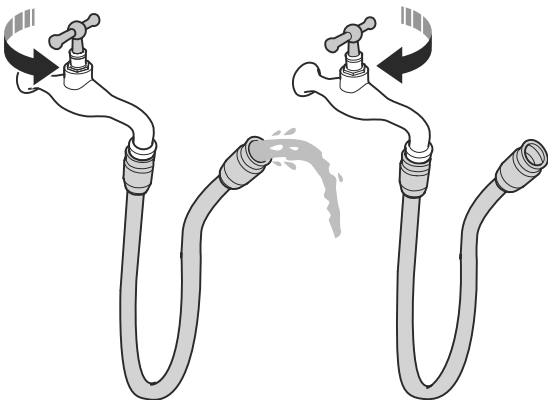
27



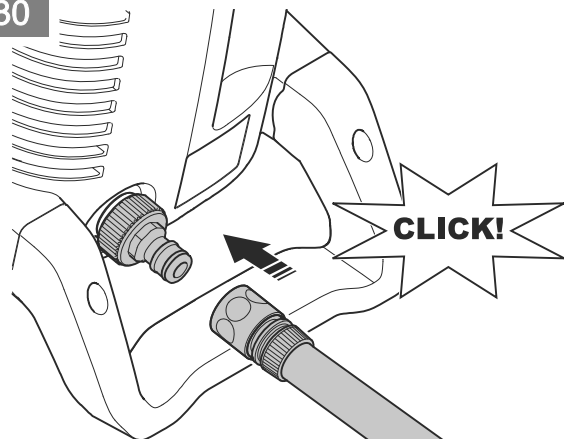
28

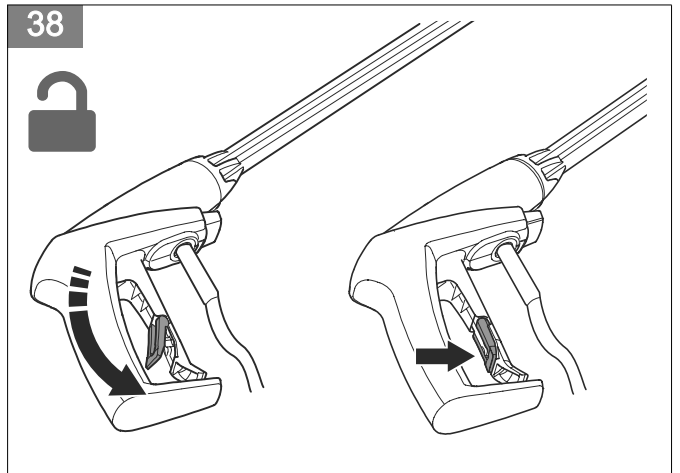
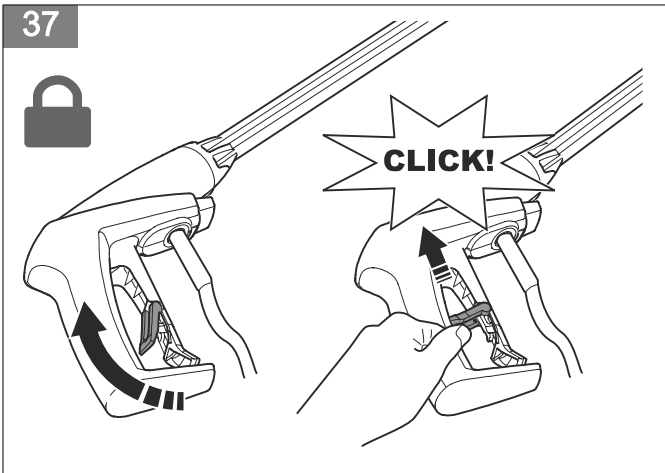
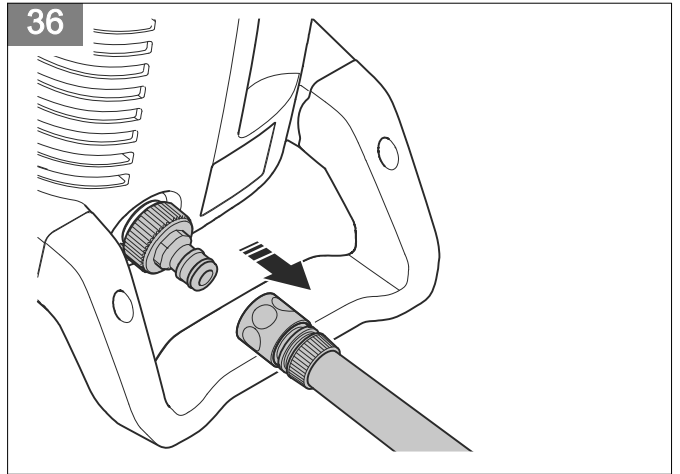
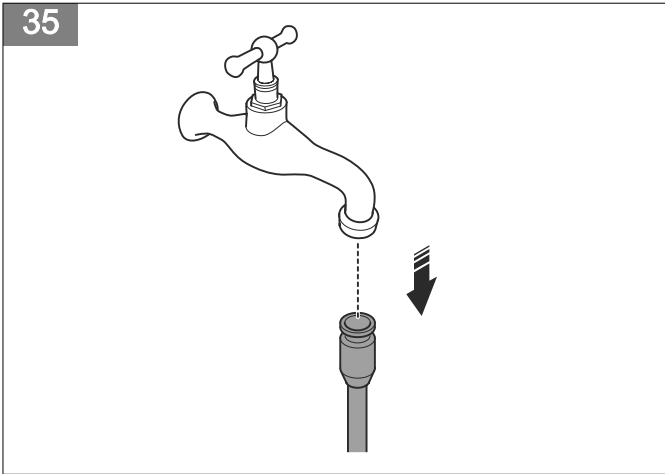
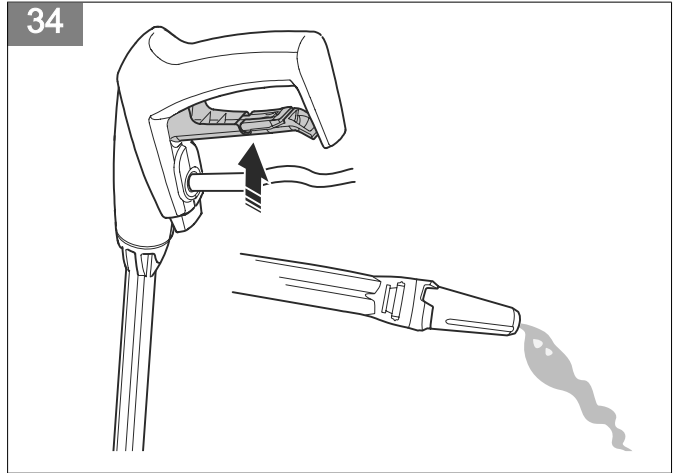
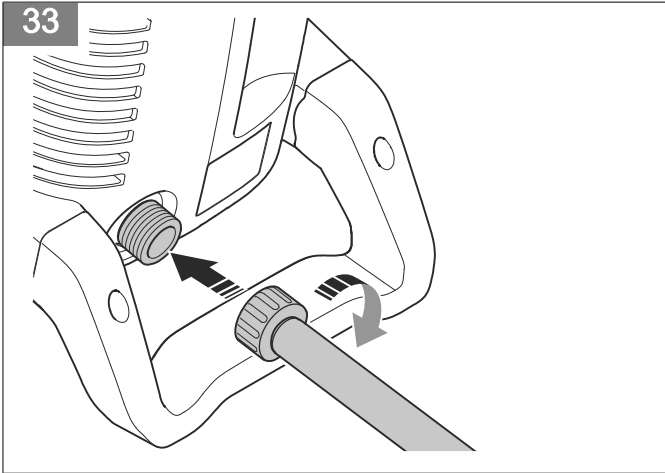
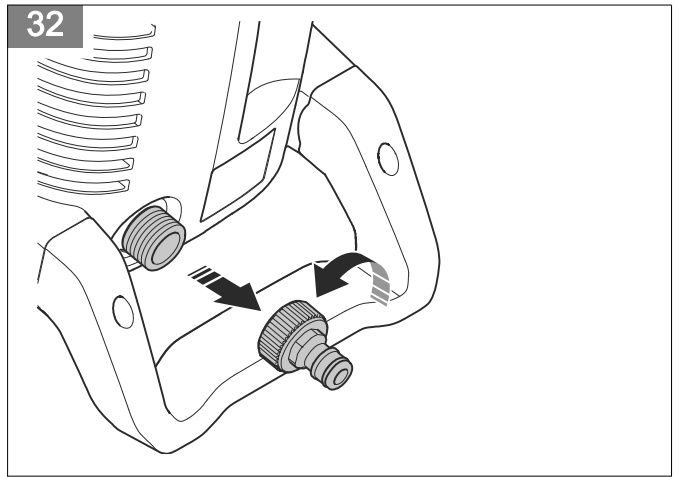
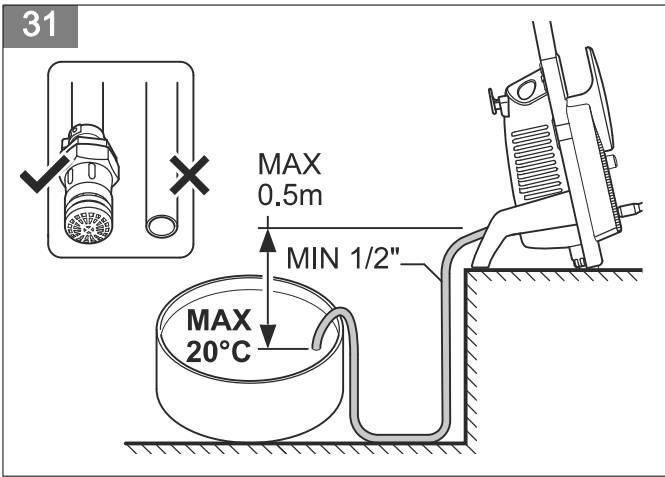


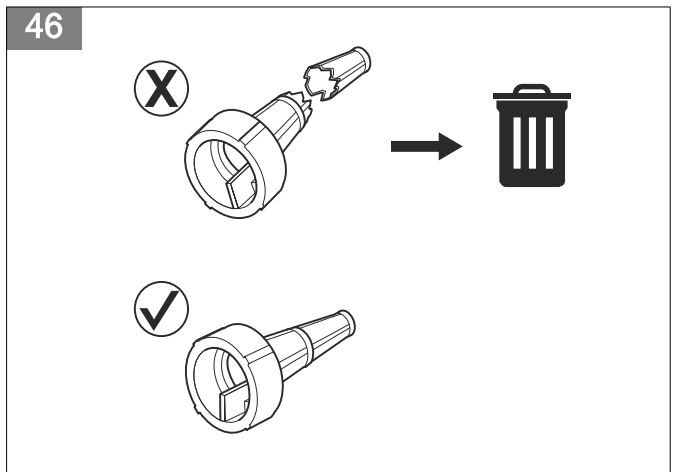
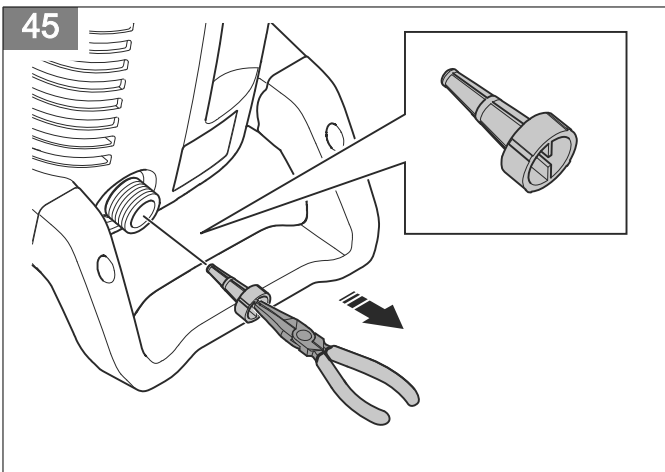
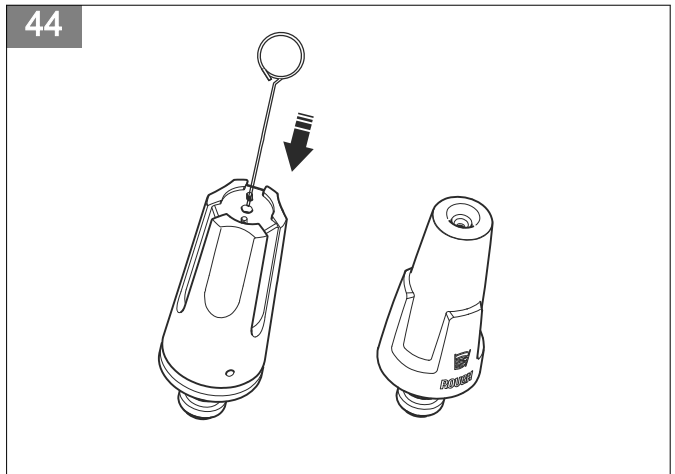
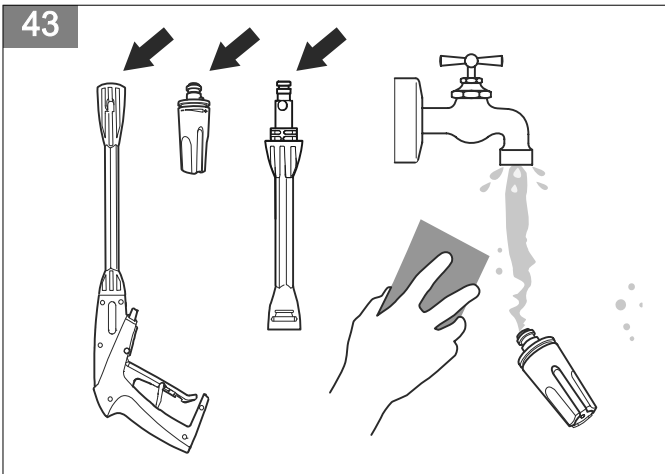
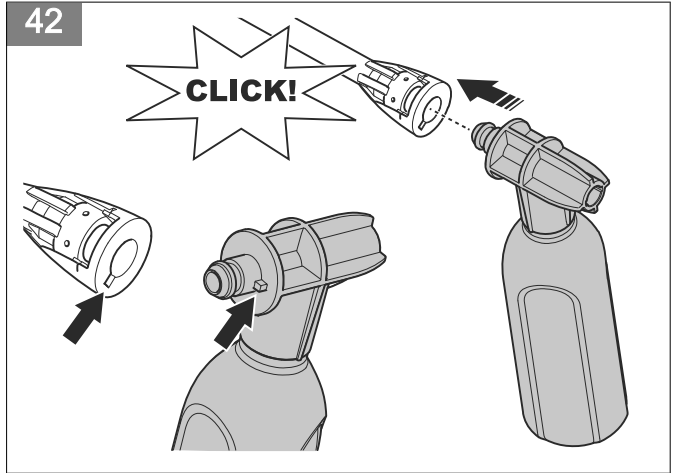
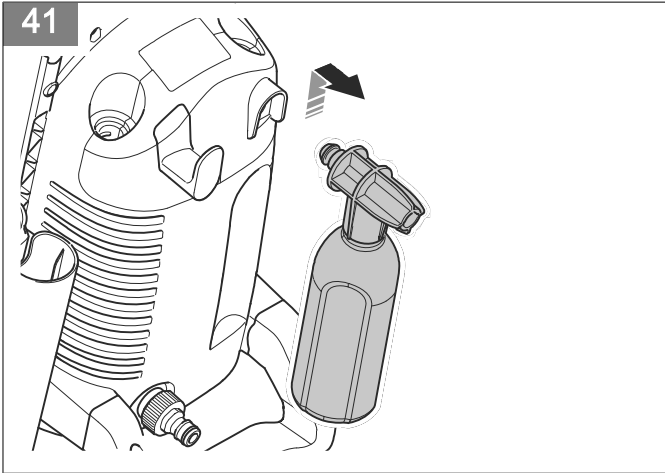
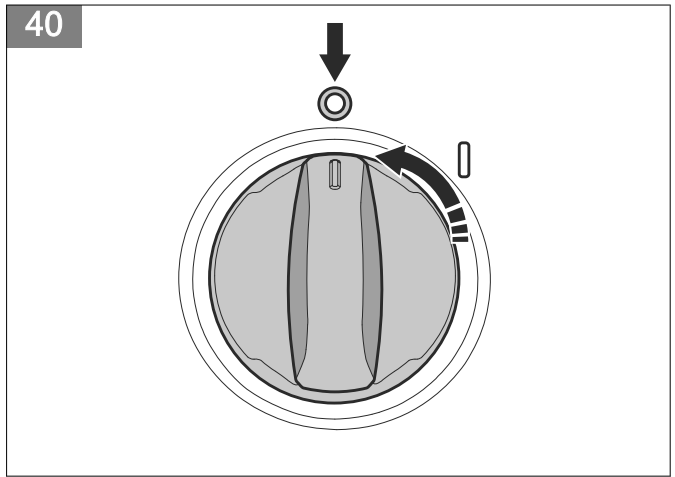
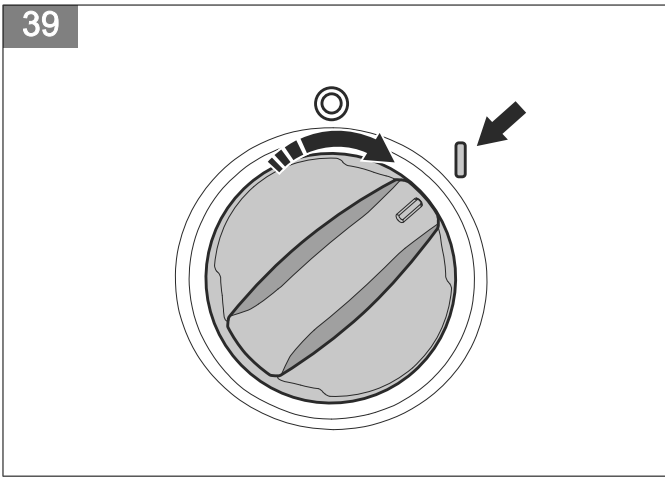
29



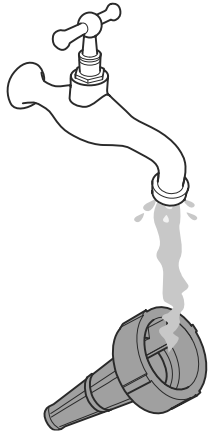
30



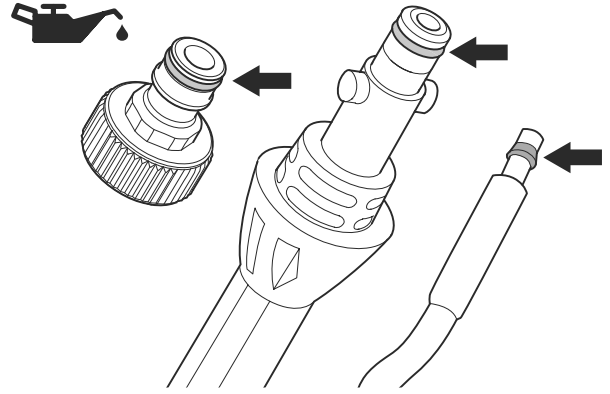




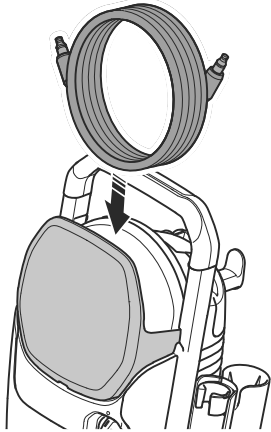
47



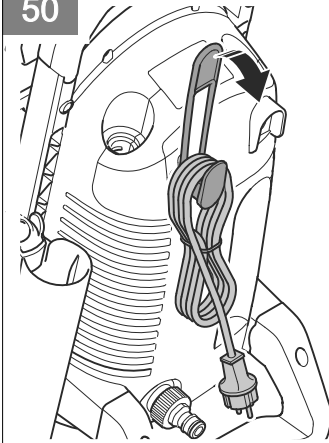
48



49



50



---

# Contents

---

Introduction.....	8	Troubleshooting.....	19
Safety.....	9	Transportation, storage and disposal.....	20
Assembly.....	14	Technical data.....	20
Operation.....	15	Accessories.....	22
Maintenance.....	17	Declaration of Conformity.....	23

---

## Introduction

---

### Product description

The product is an electrical high-pressure washer. The product can be operated with different levels of water pressure and different cleaning agents.

### Intended use

Use the product for domestic cleaning only. Do not use the product for other tasks. Use the product in an upright position only.

### Product overview

(Fig. 1)

1. Nozzle with straight water jet
2. Nozzle with rotating water jet
3. Rubber strap for power cord holder
4. Holder for spray handle and spray lance
5. High-pressure water hose
6. Water inlet
7. Foam sprayer
8. Storage for high-pressure water hose
9. Power switch
10. Power cord
11. Water outlet with quick connection
12. Cleaning tool for nozzles
13. Transport handle
14. Air intake
15. Spray handle
16. Spray lance
17. Operator's manual

### Symbols on the product

(Fig. 2)

**WARNING:** This product can be dangerous and cause serious injury or death to the operator or others. Be careful and use the product correctly.

---

**Note:** National regulations can set limit to the operation of the product.

---

(Fig. 3)

Read the operator's manual carefully and make sure that you understand the instructions before you use this product.

(Fig. 4)

The product is not suitable for connection to the potable water mains.

(Fig. 5)

High-pressure water jets can be dangerous if subject to misuse. The jet must not be directed at persons, electrical equipment or the product.

(Fig. 6)

**Environmental mark.**  
The product or



package of the product is not domestic waste. Recycle it at an approved disposal location for electrical and electronic equipment.

(Fig. 7)

Class II tool.

(Fig. 8)

Noise emission to the environment label as per EU and UK directives and regulations, and New South Wales legislation "Protection of the Environment Operations (Noise Control) Regulations 2017". The guaranteed sound power level of the product is specified in

*Technical data on page 20 and on the label.*

(Fig. 9)

Protected against low pressure water stream from any angle.

(Fig. 10)

Keep away from frost.

(Fig. 11)

The product agrees with applicable EC directives.

(Fig. 12)

This product conforms to the applicable UK regulations.

---

**Note:** Other symbols/decals on the product refer to certification requirements for some markets.

---

### Product damage

We are not responsible for damages to our product if:

- the product is incorrectly repaired.
- the product is repaired with parts that are not from the manufacturer or not approved by the manufacturer.
- the product has an accessory that is not from the manufacturer or not approved by the manufacturer.
- the product is not repaired at an approved service center or by an approved authority.

---

## Safety

---

### Safety definitions

Warnings, cautions and notes are used to point out specially important parts of the manual.



**WARNING:** Used if there is a risk of injury or death for the operator or bystanders

if the instructions in the manual are not obeyed.

---



**CAUTION:** Used if there is a risk of damage to the product, other materials or the adjacent area if the instructions in the manual are not obeyed.

---

---

**Note:** Used to give more information that is necessary in a given situation.

---

## General safety instructions

---



**WARNING:** Read the warning instructions that follow before you use the product.

---

- This product is dangerous if used incorrectly or if you are not careful. Injury or death can occur if you do not obey the safety instructions.
- Always be careful and use your common sense. If you are not sure how to operate the product in a special situation, stop and speak to your Husqvarna service agent before you continue.
- Keep in mind that the operator will be held responsible for accidents that involve other persons or their property.
- Keep the product clean. Make sure that you can clearly read signs and decals.
- Never allow children or people unfamiliar with these instructions to use the appliance. Local regulations may restrict the age of the operator.

- This product can be operated by persons with reduced physical, sensory, or mental capabilities if they are supervised or given the instructions for how to operate the product safely and understand the hazards involved.
- This product can be operated by persons who do not have the necessary experience or knowledge if they are supervised or given the instructions for how to operate the product safely and understand the hazards involved.
- Do not use the product if you are tired, ill, or under the influence of alcohol, drugs or medicine. This has a negative effect on your vision, alertness, coordination and judgement.
- Do not use a damaged product.
- Do not change this product or use it if it is possible that it has been changed by others.

## Safety instructions for operation

---



**WARNING:** Read the warning instructions that follow before you use the product.

---

- Do not use the product if the power cord, high-pressure hose, trigger lockout or spray handle is damaged.
- Do a check for damage before you operate the product. Do not use the product if parts are damaged or missing.
- Hold the spray handle tightly with both hands. A kickback force occurs when you pull the power trigger.
- Be careful when you operate the product. The high pressure supplied by the product is dangerous and can cause injury.
- Do not point the jet in the direction of you, other persons or animals.
- Do not point the jet in the direction of yourself or others to clean footwear.
- Do not point the jet in the direction of electrical equipment or the product itself.
- Use personal protective equipment when you operate the product. Refer to *Personal protective equipment on page 13*.
- Do not operate the product near persons unless they wear protective equipment.
- If you use a cleaning agent, follow the safety instructions for the cleaning agent.
- Use Husqvarna cleaning agents only.
- Use correct water pressure and cleaning agents, and use the product only for the tasks given in this manual. If you use incorrect water pressure, cleaning agent, or use the product for other tasks than the tasks given in this manual, it can cause damage to the product, surfaces, materials or other devices. Husqvarna does not accept liability for damage that is caused by incorrect use.
- It is not recommended that you connect the product to potable water mains. If you must connect the product to potable water mains, obey local and national regulations. Use a backflow preventer (not included) if it is necessary. Water that has flowed through a backflow preventer is considered to be non-potable.
- Do not spray flammable liquids. Risk of explosion.
- Do not let children operate the product.
- Do not let children play with the product.

- Do not let persons operate the product without training.
- Use only accessories and spare parts that are approved by Husqvarna.
- Make sure that the electric connection is made by an approved electrician and that it complies with IEC 60364-1.
- Use a residual-current device that stops the electricity if the leakage current is more than 30 mA for 30 ms. If you do not have a residual-current device, use a device that will prove earth circuit.
- Use motor start/delayed fuses with characteristic C or D according to IEC 898-1 or IEC947-2, or corresponding standards outside IEC.
- No actions are needed for adjusting products marked with dual voltage and frequency.
- If it is necessary to use an extension cable, make sure that it is applicable for operation outdoors. Make sure that the socket is at a minimum distance of 60 mm from the ground. The connection must always be kept dry.
- Put the power switch in the off (0) position, disconnect the power plug, and engage the power trigger lockout before you go away from the product.
- Put the power switch in the off (0) position and disconnect the power plug before you change accessory.
- Put the power switch in the off (0) position and disconnect the power plug before you clean or do maintenance on the product.
- Do not operate the product in environments where the ambient temperature is less than 0°C.
- Do not start a frozen product.
- Do not operate the product indoors.
- Do not put objects on the product when it is in operation.
- Do not drink water that has been used with the product.
- Do not operate the product near open windows.
- Watch out for thrown objects. Stones and loose objects can be thrown up into the eyes causing blindness or serious injury.
- If the product does not operate correctly, refer to *Troubleshooting schedule on page 19*.

## Personal protective equipment

---



**WARNING:** Read the warning instructions that follow before you use the product.

---

- Personal protective equipment cannot fully prevent injury but it decreases the degree of injury if an accident does occur. Let your dealer help you select the right equipment.
- Use heavy-duty, slip-resistant, boots or shoes. Do not use open shoes or go with bare feet.
- Use protective clothes.
- Use approved hearing protection.
- Use protective goggles.
- Use breathing protection with class FFP2 or equivalent if you operate the product in environments where dangerous aerosols can be formed.

## Safety devices on the product

---



**WARNING:** Read the warning instructions that follow before you use the product.

---

- Do not use a product with safety devices that are

damaged or do not operate correctly.

- Do not remove or make modifications to safety devices.
- Do a check of the safety devices regularly. If the safety devices are damaged or do not operate correctly, speak to your Husqvarna service agent.

## Power trigger lockout

The power trigger lockout (A) prevents accidental operation of the power trigger (B). When the power trigger lockout is in the locked position, the power trigger cannot be pushed in.

(Fig. 13)

## Power trigger

The product starts when the power trigger is pushed in. The product stops when the power trigger is released.

## Thermal protector

The product has an automatic thermal protector. If the product becomes too hot, the thermal protector will stop the power supply to the product. If the thermal protector has stopped the power, wait until the product is cool. The thermal protector

will reset automatically when the product is sufficiently cool.

## Hydraulic relief valve

The product has an integrated hydraulic relief valve that prevents too high pressure in the system.

## Safety instructions for maintenance



**WARNING:** Read the warning instructions that follow before you do maintenance on the product.

---



**CAUTION:** Always do maintenance before you start the product after a long time in storage.

---

- Put the power switch in the off (0) position and disconnect the power plug from the power source before you do maintenance on the product.

- Disconnect the product from the water source and make sure that all parts are dry before you do maintenance on the product.
- Do the maintenance work written in this operator's manual only.
- Use only spare parts recommended by Husqvarna. High pressure water hoses, fittings and couplings are important for the safety when you operate the product. Use only hoses, fittings and couplings that are recommended by the manufacturer.
- Do not repair the product. Speak to your Husqvarna service agent.
- Speak to your Husqvarna service agent if the power plug or power cord is damaged.
- Do not let children clean or do maintenance on the product.

---

## Assembly

---

### Introduction



**WARNING:** Read and understand the safety chapter before you assemble the product.

---

### To install the garden hose adapter

1. Remove the transport cover from the water inlet and discard it. (Fig. 14)

2. Install the garden hose adapter on the water inlet. (Fig. 15)



**CAUTION:** Make sure that you install the garden hose adapter straight on the water inlet. If the garden hose adapter is not installed straight, it can cause damage to the threads and leakage can occur.

---

3. Tighten the garden hose adapter fully.

4. Remove the garden hose adapter in the opposite sequence.

## To install the holder for the spray handle and the spray lance

- Install the holder with the 2 screws. (Fig. 16)

---

# Operation

---

## Introduction



**WARNING:** Read and understand the safety chapter before you use the product.

## Husqvarna Connect

Husqvarna Connect is a free app for your mobile device. The Husqvarna Connect app gives extended functions for your Husqvarna product:

- Extended product information.
- Information about, and help with, product parts and servicing.

## To start to use Husqvarna Connect

1. Download the Husqvarna Connect app on your mobile device.
2. Register in the Husqvarna Connect app.
3. Follow the instruction steps in the Husqvarna Connect app to connect and register the product.

---

**Note:** Husqvarna Connect app is not available for download in all markets. Speak to your servicing dealer for more information.

---

## To install the spray handle

1. Push the high-pressure water hose into the quick connection until it locks in position. (Fig. 17)



**CAUTION:** To prevent leakage, make sure that the high-pressure hose is fully connected to the quick connection on the product.

2. Hold the spray handle tightly with one hand and push the high-pressure water hose into the quick connection on the spray handle. (Fig. 18)

## To remove the spray handle

1. Push the button on the spray handle and pull out the high-pressure water hose. (Fig. 19)
2. Push the outer ring on quick connection and pull out the high-pressure water hose. (Fig. 20)

## To install the spray lance

1. Hold the spray handle with one hand and push the coupling on the spray lance into the spray handle. (Fig. 21)

2. Turn the spray lance clockwise and release the spray lance. The spray lance locks in position.

## To remove the spray lance

1. Push in the spray lance and turn it counterclockwise. (Fig. 22)
2. Pull out the spray lance from the spray handle.

## To install and remove a nozzle

The product is supplied with 2 nozzles: 1 nozzle with a straight water jet (identified with "gentle nozzle") and 1 rough nozzle with a rotating water jet (identified with "rough nozzle". The nozzle with a straight water jet can be used to clean sensitive surfaces, for example vehicles. The rough nozzle can be used to clean surfaces that are not sensitive, for example driveways.

(Fig. 23)



**CAUTION:** Do not use the nozzle with a rotating water jet on sensitive surfaces, for example painted surfaces on a vehicle. The rotating water jet can cause damage to the surface.

- To install a nozzle, hold the spray lance with one hand and push in the nozzle until it locks in position. (Fig. 24)
- To remove a nozzle, push in the tab on the spray lance and pull out the nozzle from the spray lance. (Fig. 25)

## To adjust the pressure of the water jet

The nozzle with a straight water jet has adjustable pressure.

- To increase the pressure of the water jet, turn the nozzle clockwise. (Fig. 26)
- To decrease the pressure of the water jet, turn the nozzle counterclockwise. (Fig. 27)

## To operate the product

1. Connect the product to a water source. Refer to *To connect the product to a water source on page 16*.
2. Bleed the system. Refer to *To bleed the system on page 16*.
3. Start the product. Refer to *To start the product on page 17*.

## To connect the product to a water source

The product can be used with water from the water mains or water from an open water source, for example a lake or a water barrel.

- To connect the product to the water mains, refer to *To connect the product to the water mains on page 16*.
- To connect the product to an open water source, refer to *To connect the product to an open water source on page 16*.

## To connect the product to the water mains

1. Install the garden hose adapter and the water filter to the water inlet on the product if they are not installed. Refer to *To install the garden hose adapter on page 14*.
2. Connect the garden hose to the water mains. Use a ½ in. garden hose that is 10–25 m long. (Fig. 28)



**CAUTION:** The water pressure in the water mains must not be more than 1 MPa (10 bar).



**CAUTION:** The water temperature in the water mains must not be more than 40°C.

3. Open the valve on the water mains and make sure that water can flow freely from the garden hose. (Fig. 29)
4. Close the valve on the water mains.
5. Connect the garden hose to the water inlet on the product. (Fig. 30)
6. Connect the power plug to a power source.
7. Open the valve on the water mains.
8. Bleed the system before you operate the product. Refer to *To bleed the system on page 16*.

## To connect the product to an open water source

The product can be used with water from an open water source, for example a lake or a water barrel. Use a ½ in. suction hose (not included) that is maximum 3 m long. (Fig. 31)



**CAUTION:** The water temperature in the water source must not be more than 20°C.



**CAUTION:** The product must not be more than 0.5 m above the water source.

1. If the garden hose adapter is installed, remove it from the water inlet on the product. (Fig. 32)



**CAUTION:** Do not remove the water filter in the water inlet.

2. Install a suction hose (not included) to the water inlet on the product. (Fig. 33)
3. Put the suction hose in the water source and make sure that the filter is fully submerged.



**CAUTION:** Do not use a suction hose without a filter.

4. Push in the button on the spray handle and pull out the high-pressure hose from the spray handle. (Fig. 19)
5. Connect the power plug to a power source.
6. Turn the power switch to the on (I) position and let the product operate for 2 minutes.
7. Turn the power switch to the off (0) position.
8. Hold the spray handle tightly with one hand and push the high-pressure hose into the quick coupling on the spray handle. (Fig. 18)
9. Bleed the system before you operate the product. Refer to *To bleed the system on page 16*.

## To bleed the system



**CAUTION:** Make sure that the power switch is in the off (0) position before you bleed the system.

1. Connect the product to a water source. Refer to *To connect the product to a water source on page 16*.
2. Install the spray lance on the spray gun. Refer to *To install the spray lance on page 15*.
3. Disengage the power trigger lockout. Refer to *To engage and disengage the power trigger lockout on page 17*.
4. Push the power trigger and keep it pushed in until water comes out of the nozzle on the spray lance. (Fig. 34)

## To disconnect the product from the water source

1. Turn the power switch to the off (0) position.
2. If the product is connected to the water mains, close the valve on the water mains.
3. If the product is connected to the water mains, disconnect the garden hose from the water mains. (Fig. 35)
4. If the product is connected to an open water source, remove the suction hose from the water source.



5. Push the power trigger and keep it pushed in until no water comes out of the nozzle.
6. Disconnect the garden hose from the water inlet on the product. (Fig. 36)

**Note:** If the product is connected to an open water source, disconnect the suction hose.

7. Push the button on the spray handle and pull out the high-pressure hose from the spray handle. (Fig. 19)
8. Turn the power switch to the on (I) position. Let the product operate until no water comes out of the high-pressure hose.
9. Turn the power switch to the off (0) position.
10. Let the spray handle, the spray lance, and the nozzles become dry before you put the product in storage.

## To engage and disengage the power trigger lockout

- To engage the power trigger lockout, turn the power trigger lockout clockwise until you hear a click. (Fig. 37)
- To disengage the power trigger lockout, turn the power trigger lockout counterclockwise fully. (Fig. 38)

## To start the product

1. Connect the product to a water source. Refer to *To connect the product to a water source on page 16*.
2. Connect the power plug to a power source.
3. Turn the power switch to the on (I) position. (Fig. 39)
4. Disengage the power trigger lockout. Refer to *To engage and disengage the power trigger lockout on page 17*.
5. Push the power trigger on the spray handle.

**Note:** The product stops automatically when you release the power trigger.

## To stop the product

**Note:** The product stops automatically when you release the power trigger.

1. Release the power trigger on the spray handle.
2. Engage the power trigger lockout. Refer to *To engage and disengage the power trigger lockout on page 17*.
3. Turn the power switch to the off (0) position. (Fig. 40)
4. Disconnect the power plug from the power source.
5. Disconnect the product from the water source. Refer to *To disconnect the product from the water source on page 16*.

**Note:** Always disconnect the product from the water source if you go away from the product for more than 5 minutes.

## To use the foam sprayer

1. Remove the foam sprayer from its holder. (Fig. 41)
2. Fill the container on the foam sprayer with cleaning agent.



**CAUTION:** Use only cleaning agents that are recommended by Husqvarna.

3. Push the quick connection on the foam sprayer into the quick connection on the spray lance until it locks in position. (Fig. 42)

**Note:** The flange on the foam sprayer must align with the groove in the spray lance.

4. Connect the product to a water source. Refer to *To connect the product to a water source on page 16*.
5. Start the product. Refer to *To start the product on page 17*.

# Maintenance

## Introduction



**WARNING:** Before you do maintenance, you must read and understand the safety chapter.

For all servicing and repair work on the product, special training is necessary. We guarantee the availability of professional repairs and servicing.

For more detailed information, refer to [www.husqvarna.com](http://www.husqvarna.com).

## Maintenance schedule

Maintenance	Before use	After use
Do a general inspection. Refer to <i>To do a general inspection on page 18</i> .	X	

Maintenance	Before use	After use
Clean the product. Refer to <i>To clean the product on page 18.</i>		X
Clean the spray lance and the nozzles. Refer to <i>To clean the spray lance and the nozzles on page 18.</i>		X
Clean the water filter. Replace the water filter if it is damaged. Refer to <i>To clean the water filter on page 18.</i>		X
Lubricate the O-rings on the couplings. Refer to <i>To lubricate the O-rings on the couplings on page 19.</i>		X

## To do a general inspection



**WARNING:** Put the power switch in the off (0) position and disconnect the power plug from the power source before you do maintenance on the product.



**CAUTION:** Disconnect the product from the water source and make sure that all parts are dry before you do maintenance on the product.

- Make sure that the nuts and the screws on the product are tightened.
- Make sure that the cables on the product are not in a position where they can become damaged.
- Examine the high-pressure hose for wear and damage.



**WARNING:** Do not operate the product if the high-pressure hose is worn or damaged.

## To clean the product



**WARNING:** Put the power switch in the off (0) position and disconnect the power plug from the power source before you do maintenance on the product.



**CAUTION:** Disconnect the product from the water source and make sure that all parts are dry before you do maintenance on the product.

- Clean all external parts with a dry cloth.
- Do not use a high-pressure washer to clean the product.
- Keep the air inlets clean to make sure that the product always has sufficiently cool temperature.

## To clean the spray lance and the nozzles



**WARNING:** Put the power switch in the off (0) position and disconnect the power plug from the power source before you do maintenance on the product.



**CAUTION:** Disconnect the product from the water source and make sure that all parts are dry before you do maintenance on the product.

1. If a nozzle is installed on the spray lance, remove it from the spray lance. Refer to *To install and remove a nozzle on page 15.*
2. Clean the nozzles, the coupling on the spray lance, and the coupling on the spray handle with soap and water. (Fig. 43)
3. If there is blockage in the nozzles, remove it with the cleaning tool. (Fig. 44)

## To clean the water filter



**WARNING:** Put the power switch in the off (0) position and disconnect the power plug from the power source before you do maintenance on the product.



**CAUTION:** Disconnect the product from the water source and make sure that all parts are dry before you do maintenance on the product.

1. If the garden hose adapter is installed, remove it from the water inlet on the product. (Fig. 32)
2. Pull out the water filter. Use a pair of pliers. (Fig. 45)
3. Do a check for damage on the water filter. Replace the water filter if it is damaged. (Fig. 46)
4. Flush the water filter with clean water. (Fig. 47)

## To lubricate the O-rings on the couplings

parts are dry before you do maintenance on the product.



**WARNING:** Put the power switch in the off (0) position and disconnect the power plug from the power source before you do maintenance on the product.



**CAUTION:** Disconnect the product from the water source and make sure that all

1. Remove the spray lance from the spray handle and the spray handle from the high-pressure hose. Refer to *To install the spray lance on page 15* and *To install the spray handle on page 15*.
2. Lubricate the O-rings on the garden hose adapter, the spray lance, and the high-pressure hose with grease. Refer to *Technical data on page 20* for the correct type of grease. (Fig. 48)

## Troubleshooting

### Troubleshooting schedule

Problem	Possible cause	Solution
The product does not start.	The power plug is not connected to a power source.	Connect the power plug to a power source
	The power switch is in the off (0) position.	Turn the power switch to the on (I) position.
	There is no electricity in the power source.	Speak to an approved electrician.
	The power cord is damaged.	Speak to an approved service agent.
	The thermal protector has stopped the power.	Wait until the product becomes cool before you operate the product again.
	An incorrect type of extension cable is used.	Make sure that the extension cable is unwound fully and that the voltage supply agrees with the voltage of the product.
The fuse blows during start or operation.	An incorrect type of fuse is used.	Make sure that you use a slow-blow fuse that has class "C" or "K".
The product does not stop.	The product is damaged.	Disconnect the power plug and speak to an approved service agent.
The product becomes too hot.	The air flow is not sufficient.	Clean the air intakes.
The product does not operate smoothly.	There is air in the system.	Bleed the system.

Problem	Possible cause	Solution
The water pressure is unsatisfactory.	The hose is bent	Make sure that there are no bends on the hoses.
	The power switch is in the off (0) position.	Turn the power switch to the on (I) position.
	The water flow is not sufficient.	Make sure that the product is connected to the water source correctly. Make sure that the water flow is sufficient.
	The water filter is clogged.	Clean the water filter.
	There is air in the system.	Bleed the system.
	The accessory is not correct.	Make sure that you use the correct accessory.

## Transportation, storage and disposal

### Transportation

- Disconnect the power plug from the power source before transportation of the product.
- Disconnect the product from the water source before transportation of the product.
- Attach the product to prevent movement during transportation.

### Storage

- Drain all water from the product, the high-pressure water hose, and the accessories before you put the product in storage.
- Prepare the product for storage. Refer to *To prepare the product for storage on page 20*.
- Keep the product in a dry and frost-free environment.

### To prepare the product for storage

1. Stop the product and disconnect the power plug from the power source.
2. Disconnect the product from the water source. Refer to *To disconnect the product from the water source on page 16*.

3. Make sure that all accessories are dry.
4. Put the spray handle, the spray lance, and the nozzles in their holders.
5. Disconnect the high-pressure water hose and put it in its holder. (Fig. 49)
6. Put the power cord on its holder and attach the strap. (Fig. 50)

### Disposal

Husqvarna products are not domestic waste and must only be discarded as given in this manual.

- Obey the local disposal requirements and applicable regulations.
- Recycle the product and package at an applicable disposal location.
- Speak to your local Husqvarna dealer for more information on how to recycle and discard the product.

## Technical data

PW 130	
<b>Motor and pump</b>	
Type	Series AC Motor
Power, W	1500
Voltage range, V	220–240

	<b>PW 130</b>
Frequency, Hz	50
Rated current, A	6.5
Max. water flow, l/min	7.7
Max. water output pressure, bar/MPa	130/13
Max. water inlet pressure, bar/MPa	10/1
Max. water inlet temperature, °C/°F	40/104
Max. water inlet temperature (in suction mode), °C/°F	20/68
IP rating	IPX5
Safety class	Class II
<b>Lubrication</b>	
Type of grease for lubrication of O-rings	Universal white silicone grease
<b>Weight</b>	
Weight, kg	6.5
<b>Noise emissions</b> <sup>1</sup>	
Sound power level, measured dB(A)	85
Sound power level, guaranteed L <sub>WA</sub> dB(A)	89
<b>Sound levels</b> <sup>2</sup>	
Equivalent sound pressure level at the operator's ear, dB(A)	72
<b>Vibration levels</b> <sup>3</sup>	
Hand/arm (with standard nozzle) m/s <sup>2</sup>	2.5
<b>Equivalent vibration levels</b> <sup>4</sup>	
Hand/arm (with standard nozzle) m/s <sup>2</sup>	1.8

<sup>1</sup> Noise emissions in the environment measured as sound power (L<sub>WA</sub>) in conformity with EC directive 2000/14/EC.

<sup>2</sup> Equivalent sound pressure level, according to ISO 22868, is calculated as the time-weighted energy total for different sound pressure levels under various working conditions. Typical statistical dispersion for equivalent sound pressure level is a standard deviation of 1 dB (A).

<sup>3</sup> Vibration level, according to EN 60745-2-13. Reported data for vibration level has a typical statistical dispersion (standard deviation) of 1 m/s<sup>2</sup>. Declared vibration data from measurements when the machine is fitted with a bar length and recommended chain type. If the machine is fitted with a different bar length, the vibration level may vary by max ± 1.5 m/s<sup>2</sup>.

<sup>4</sup> Equivalent vibration level is measured and calculated as for combustion engine powered chainsaws. These figures are quoted to be able to compare vibration data regardless of type of engine according to ISO 22867:2011.

---

## Accessories

---

### Approved accessories

Approved accessories	Art. no.
Surface cleaner SC 300	590 65 79-01
Foam sprayer FS 300	590 66 04-01
Pipe cleaning hose, 15 m	590 66 10-01
Water filter	590 65 93-01
Backflow preventer	590 65 95-01
Suction hose	590 65 97-01
Vehicle kit	590 66 07-01
Rotating brush kit	590 66 06-01
Angled spray lance	590 66 11-01
Water suction nozzle	590 66 05-01
Extension hose, 8 m	590 66 08-01

---

# Declaration of Conformity

---

## EU Declaration of Conformity

We, Husqvarna AB, SE-561 82 Huskvarna, Sweden, tel:  
+46-36-146500, declare on our sole responsibility that  
the product:

<b>Description</b>	Pressure washer
<b>Brand</b>	Husqvarna
<b>Type / Model</b>	PW 130
<b>Identification</b>	Serial numbers dating from 2022 and onwards

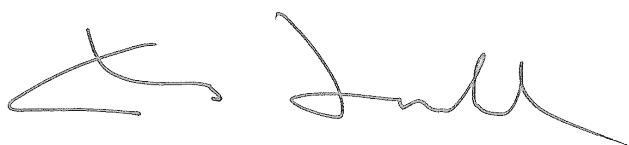
complies fully with the following EU directives and  
regulations:

Regulation	Description
2006/42/EC	"relating to machinery"
2014/30/EU	"relating to electromagnetic compatibility"
2000/14/EC Annex V	"relating to the noise emissions in the environment"
2011/65/EU	"on the restriction of the use of certain hazardous substances in electrical and electronic equipment"

and that the following standards and/or technical  
specifications are applied: EN 60335-1:2012/A11:2014/  
A13:2017/A1:2019/A14:2019/A2:2019/A15:2021, EN  
60335-2-79:2012, EN 62233:2008, EN 55014-1:2021,  
EN 55014-2:2021, EN IEC 61000-3-2:2019/A1:2021, EN  
61000-3-3:2013/A2:2021, EN IEC 63000:2018.

For information relating to noise emissions, refer to  
*Technical data on page 20.*

Huskvarna, 2023-01-19



Claes Losdal, Development Manager/Garden Products,  
Husqvarna AB

Responsible for technical documentation



# UK Declaration of Conformity

We, **Husqvarna AB**, SE-561 82 Huskvarna, Sweden, tel: +46-36-146500, declare on our sole responsibility that the product:

<b>Description</b>	Pressure washer
<b>Brand</b>	Husqvarna
<b>Type / Model</b>	PW 130
<b>Identification</b>	Serial numbers dating from 2022 and onwards

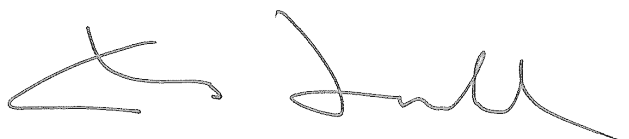
complies fully with the following UK regulations:

<b>Description</b>
The Supply of Machinery (Safety) Regulations 2008
Electromagnetic Compatibility Regulations 2016
The Noise Emission in the Environment by Equipment for use Outdoors Regulations 2001, schedule 8
The Restriction of the Use of Certain Hazardous Substances in Electrical and Electronic Equipment Regulations 2012

and that the following standards and/or technical specifications are applied: EN 60335-1:2012/A11:2014/A13:2017/A1:2019/A14:2019/A2:2019/A15:2021, EN 60335-2-79:2012, EN 62233:2008, EN 55014-1:2021, EN 55014-2:2021, EN IEC 61000-3-2:2019/A1:2021, EN 61000-3-3:2013/A2:2021, EN IEC 63000:2018.

For information relating to noise emissions, refer to *Technical data on page 20*.

Huskvarna, 2023-01-19



Claes Losdal, Development Manager/Garden Products, Husqvarna AB

Responsible for technical documentation



UK Importer:  
Husqvarna UK Ltd  
Preston Road, Co. Durham  
DL5 6UP