



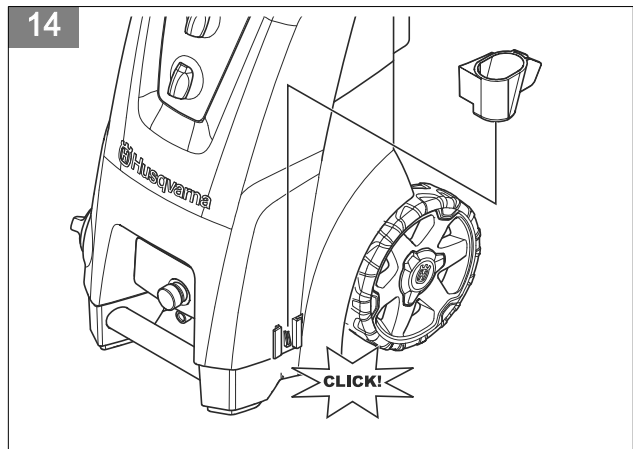
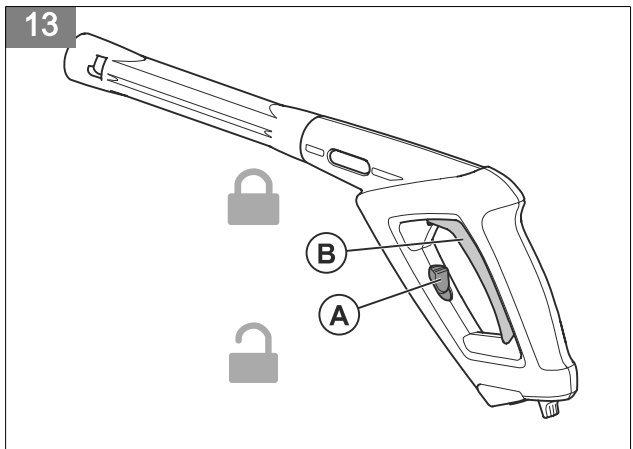
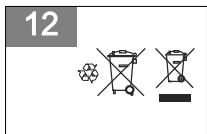
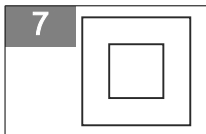
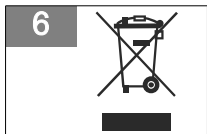
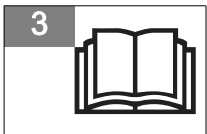
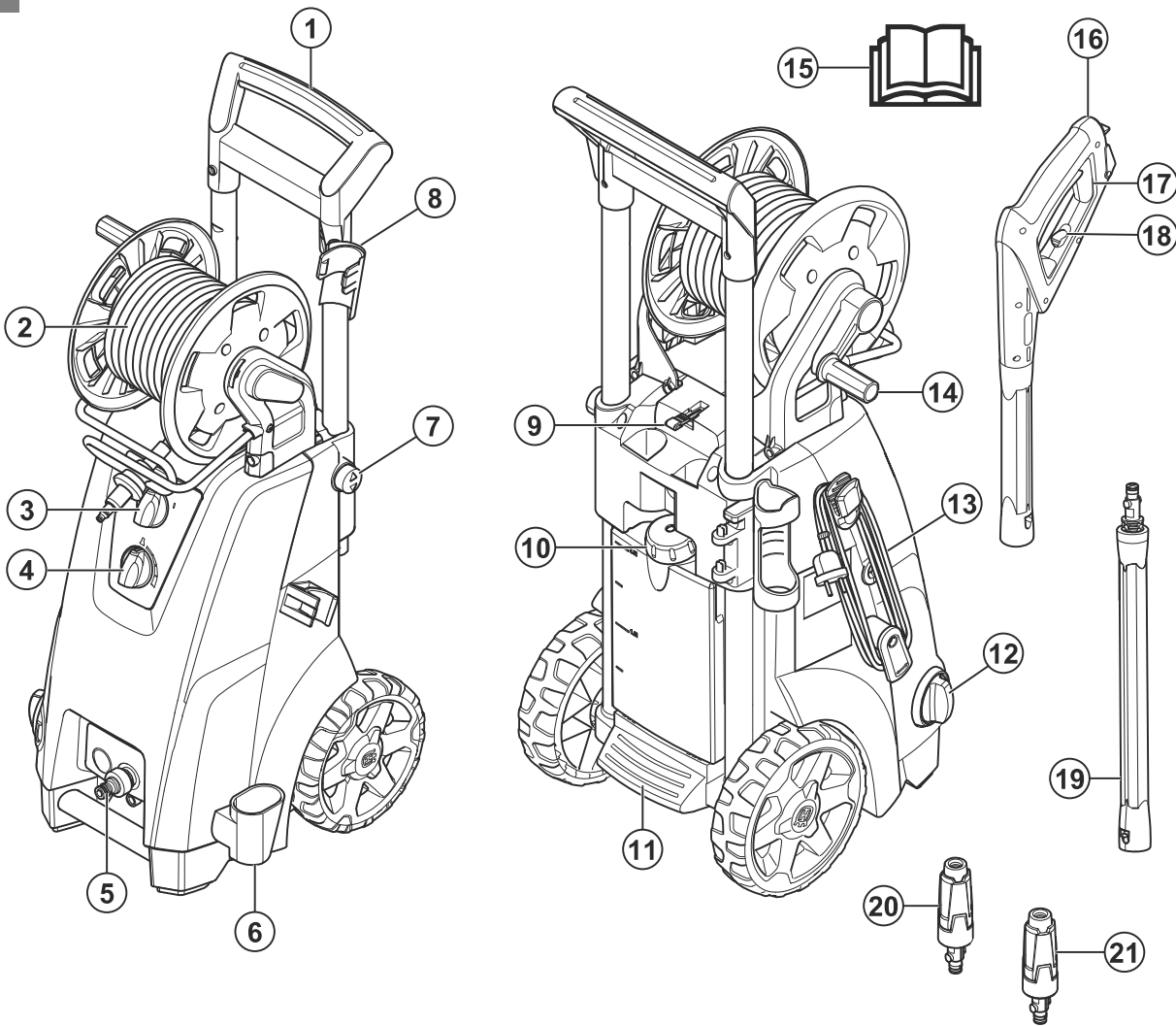
Husqvarna®

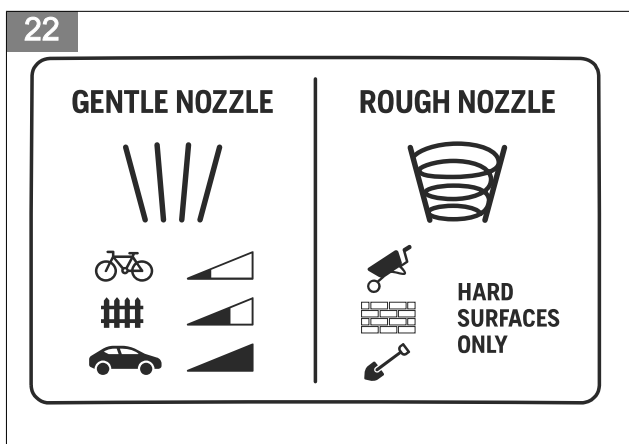
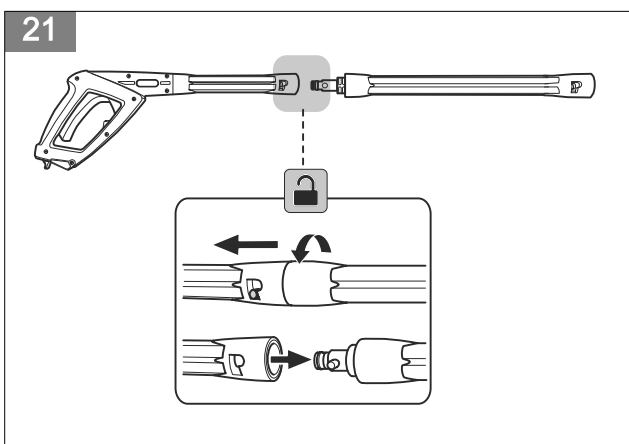
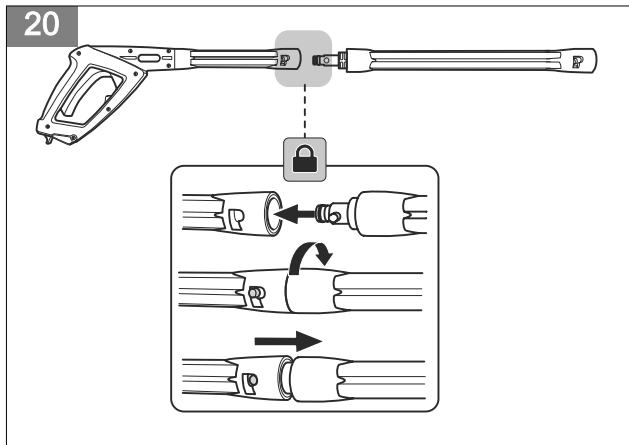
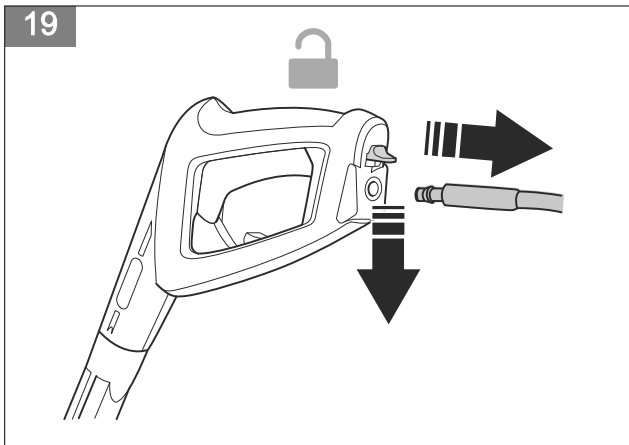
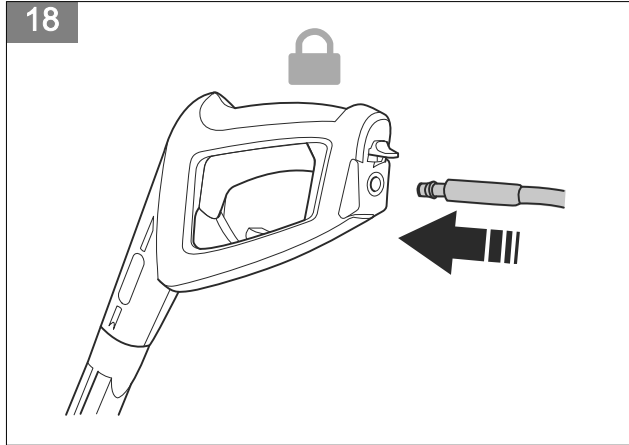
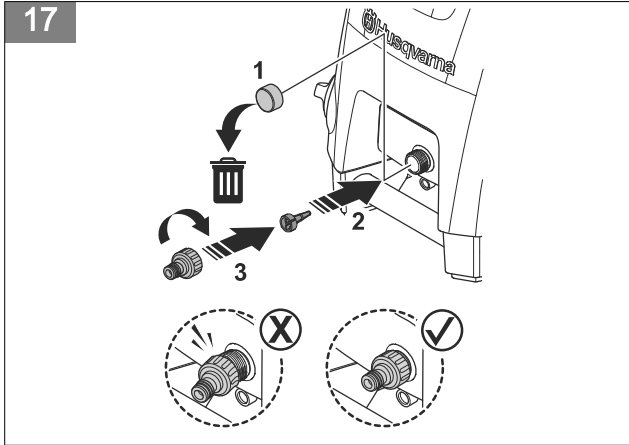
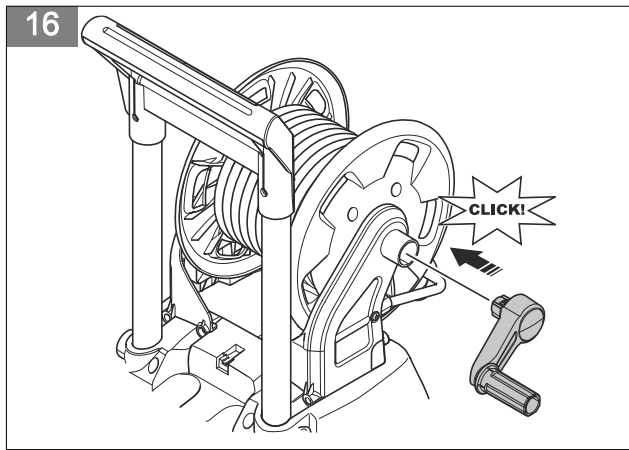
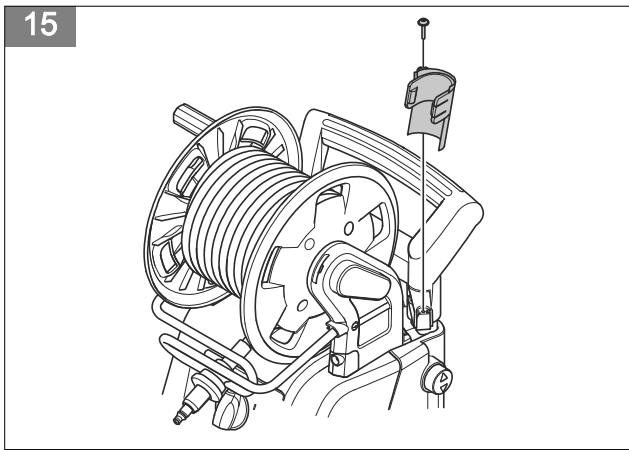


PW 480, PW 490

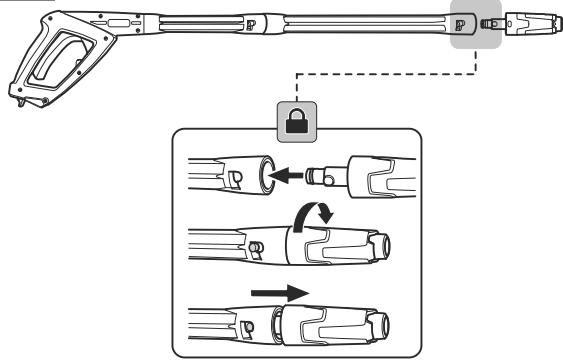


EN	Operator's manual	9-25
BG	Ръководство за експлоатация	26-45
CS	Návod k použití	46-62
DA	Brugsanvisning	63-79
DE	Bedienungsanweisung	80-100
EL	Οδηγίες χρήσης	101-120
ES	Manual de usuario	121-139
ET	Kasutusjuhend	140-156
FI	Käyttöohje	157-172
FR	Manuel d'utilisation	173-191
HR	Priručnik za korištenje	192-208
HU	Használati utasítás	209-226
IT	Manuale dell'operatore	227-244
LT	Operatoriaus vadovas	245-261
LV	Lietošanas pamācība	262-278
NL	Gebbruiksaanwijzing	279-296
NO	Bruksanvisning	297-312
PL	Instrukcja obsługi	313-331
PT	Manual do utilizador	332-349
RO	Instrucțiuni de utilizare	350-367
RU	Руководство по эксплуатации	368-387
SK	Návod na obsluhu	388-405
SL	Navodila za uporabo	406-422
SR	Priručnik za rukovaoca	423-439
SV	Bruksanvisning	440-456
TR	Kullanım kılavuzu	457-473
UK	Посібник користувача	474-492
JA	取扱説明書	493-508
AR	دليل المشغل	509-523

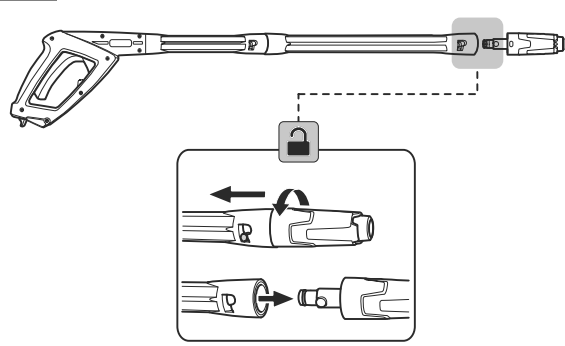




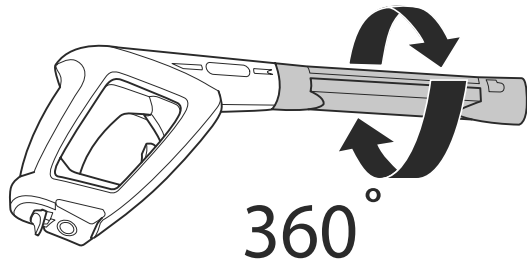
23



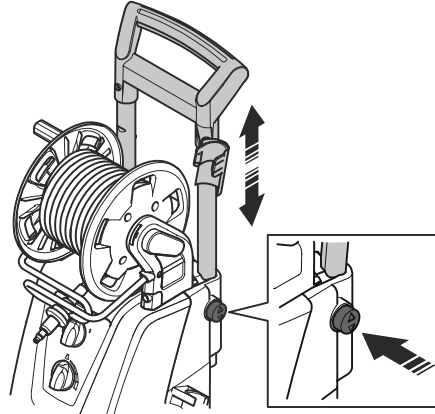
24



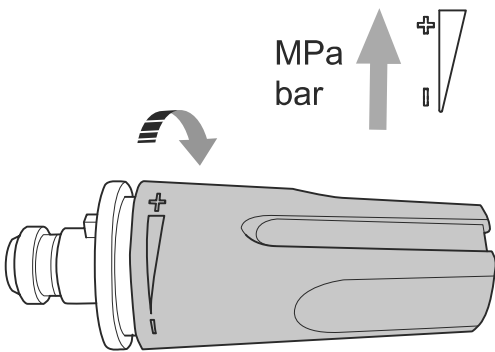
25



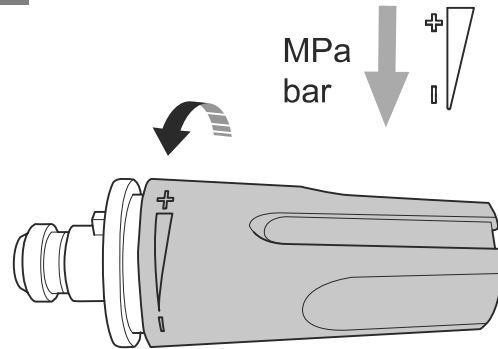
26



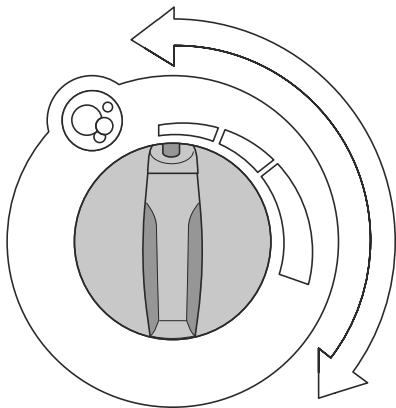
27



28

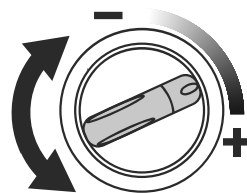


29

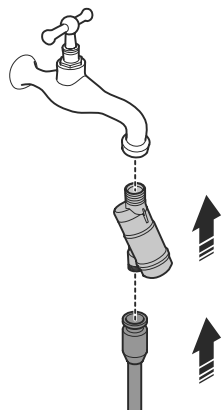


30

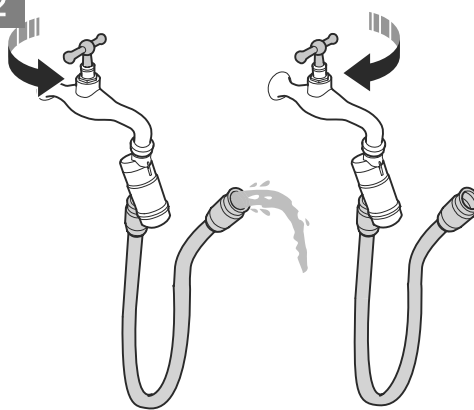
MPa bar



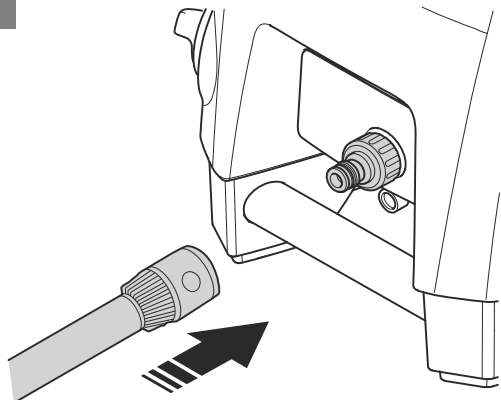
31



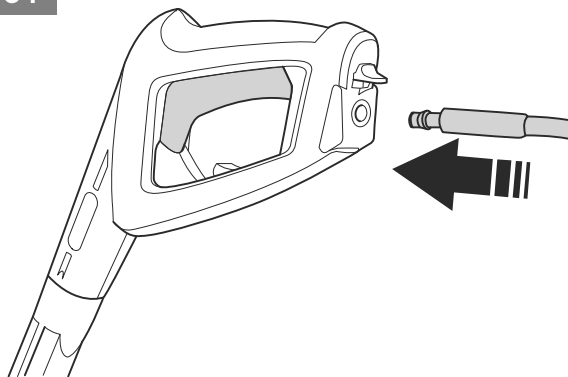
32



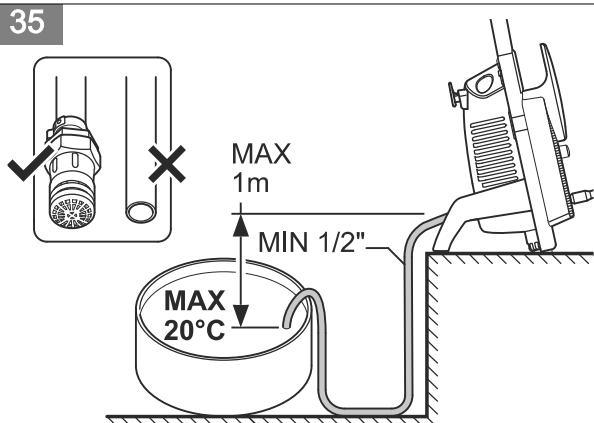
33



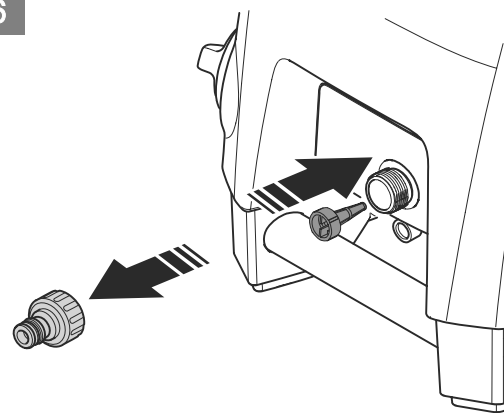
34



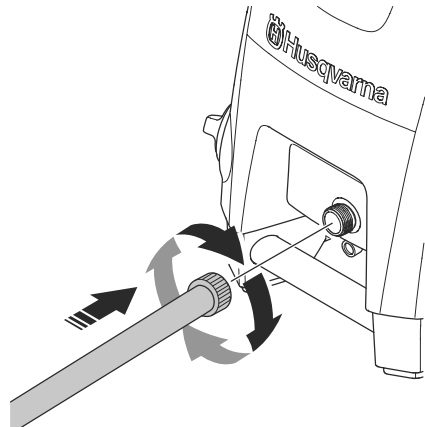
35



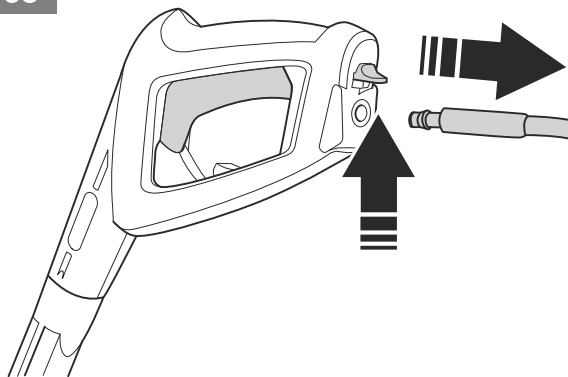
36



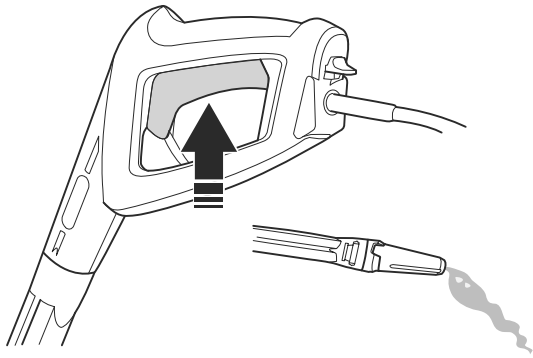
37



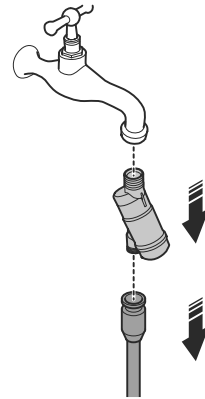
38



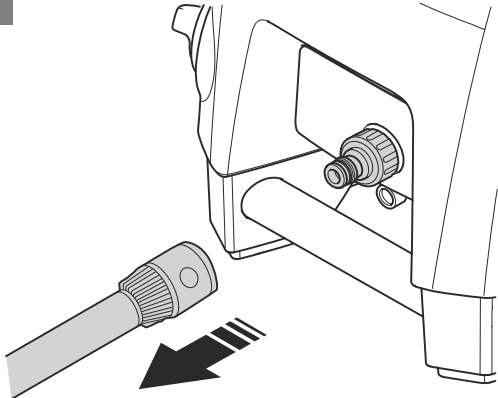
39



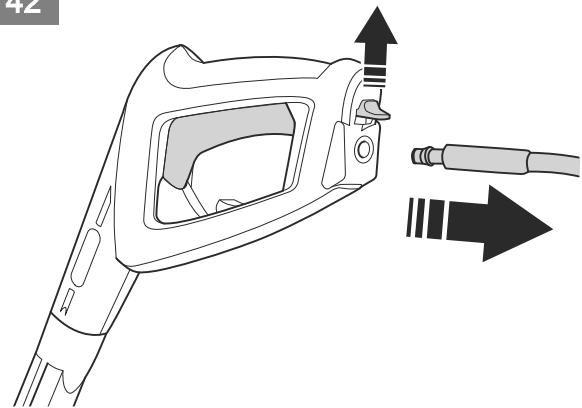
40



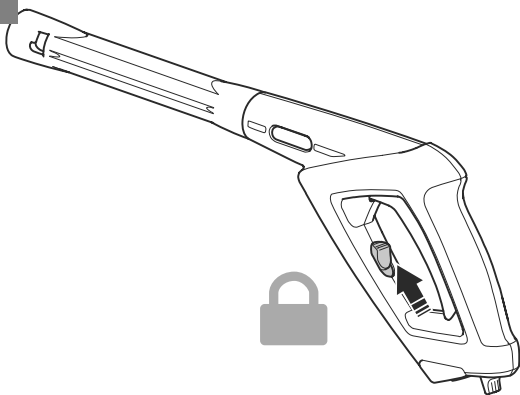
41



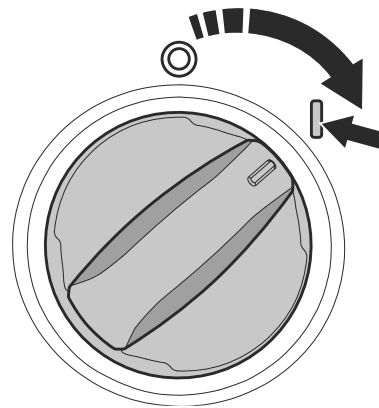
42



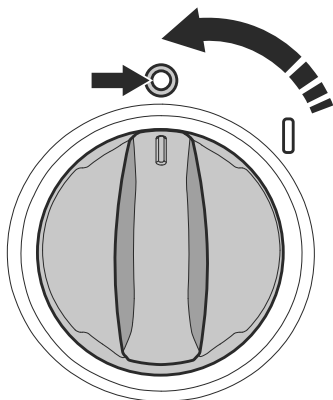
43



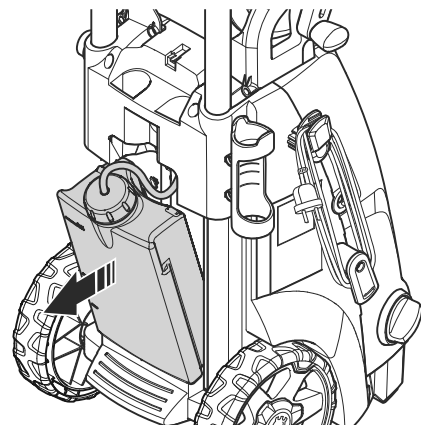
44



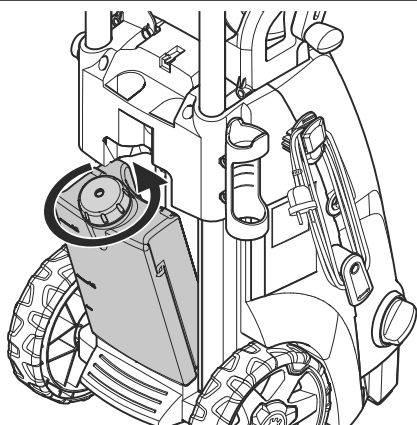
45



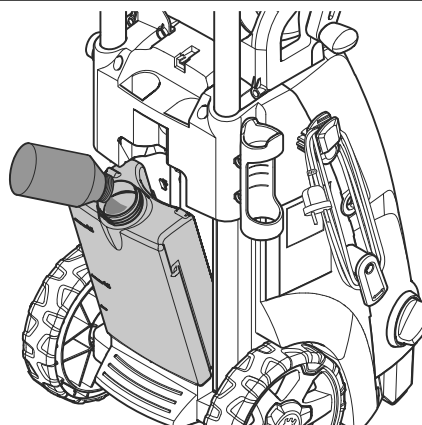
46



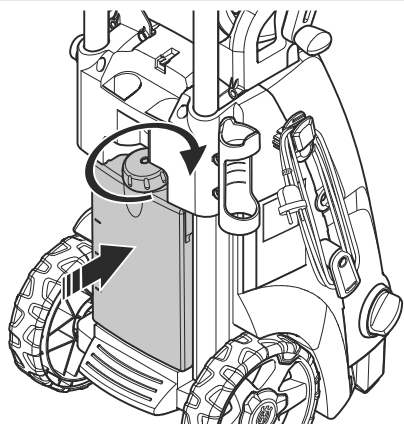
47



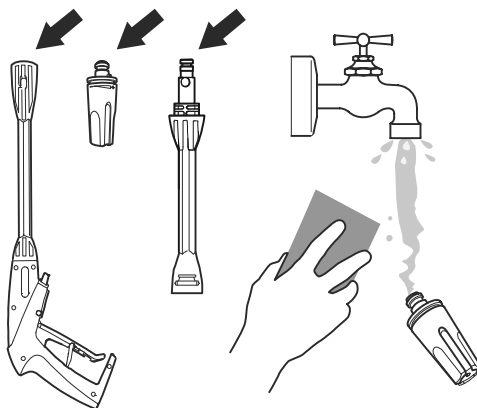
48



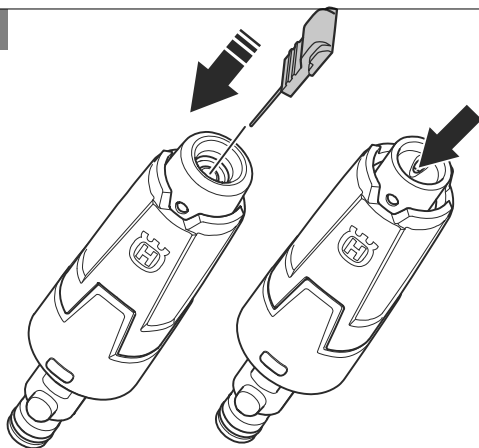
49



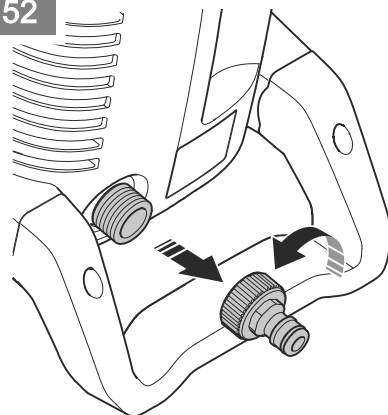
50



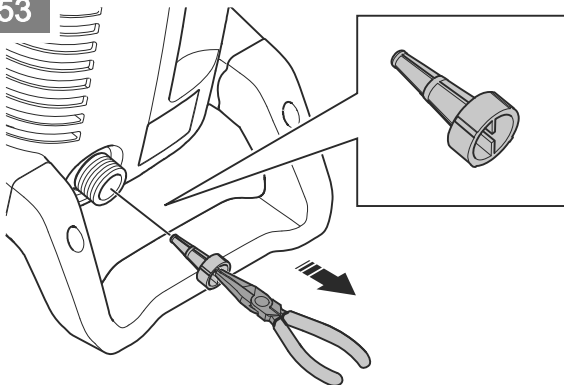
51



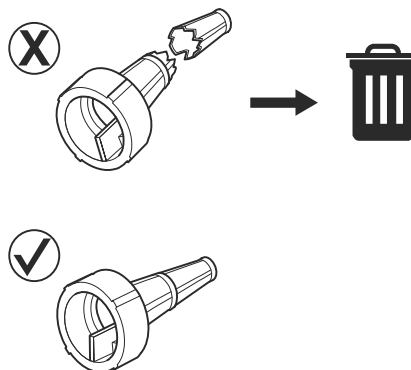
52



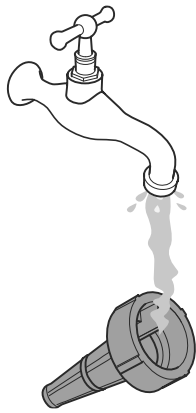
53



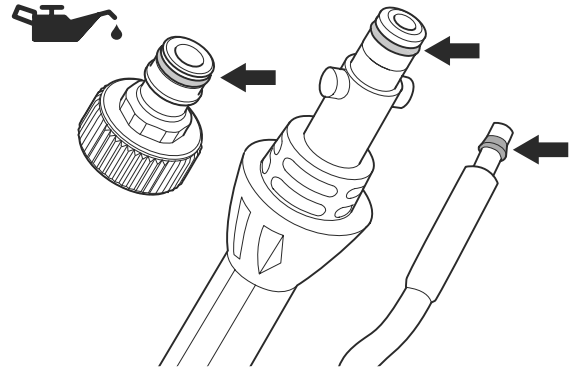
54



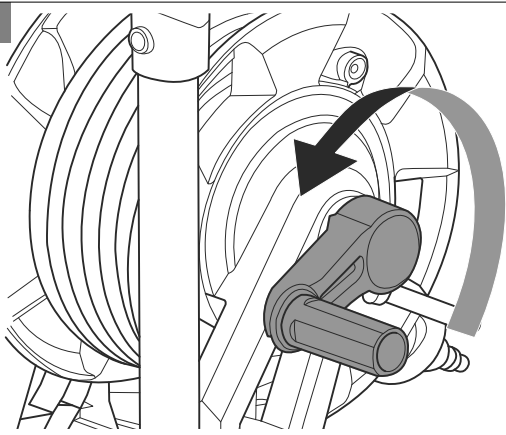
55



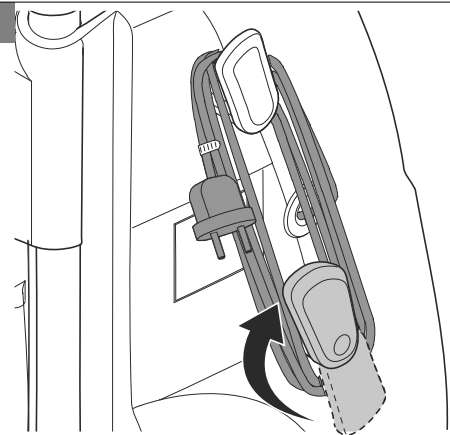
56



57



58



Contents

Introduction.....	9	Troubleshooting.....	21
Safety.....	10	Transportation, storage and disposal.....	22
Assembly.....	16	Technical data.....	22
Operation.....	16	Accessories.....	23
Maintenance.....	19	Declaration of Conformity.....	25

Introduction

Product description

The product is an electrical high-pressure washer. The product can be operated with different levels of water pressure and different cleaning agents.

Intended use

Use the product for domestic cleaning only. Do not use the product for other tasks. Use the product in an upright position only.

Product overview

(Fig. 1)

1. Transport handle
2. High-pressure water hose
3. Power switch
4. Cleaning agent switch
5. Water inlet
6. Holder for the spray lance
7. Transport handle height adjustment
8. Holder for the spray handle
9. Cleaning tool for nozzles
10. Cleaning agent tank
11. Footplate
12. Water pressure switch
13. Power cord
14. Hose reel
15. Operator's manual
16. Spray handle
17. Power trigger
18. Power trigger lockout
19. Spray lance
20. Gentle nozzle
21. Rough nozzle

Symbols on the product

(Fig. 2)

WARNING: This product can be dangerous and cause serious injury or death to the operator

Note: National regulations can set limit to the operation of the product.

or others. Be careful and use the product correctly.

(Fig. 3)

Read the operator's manual carefully and make sure that you understand the instructions before you use this product.

(Fig. 4)

The product is not suitable for connection to the potable water mains.

(Fig. 5)

High-pressure water jets can be dangerous if subject to misuse. The jet must not be directed at persons,

electrical equipment or the product.

Technical data on page 22 and on the label.

(Fig. 6) **Environmental mark.**
The product or package of the product is not domestic waste. Recycle it at an approved disposal location for electrical and electronic equipment.

(Fig. 9) Protected against low pressure water stream from any angle.

(Fig. 10) Keep away from frost.

(Fig. 11) The product agrees with applicable EC directives.

(Fig. 7) Class II tool.

Note: Other symbols/decals on the product refer to certification requirements for some markets.

(Fig. 8) Noise emission to the environment label as per EU and UK directives and regulations, and New South Wales legislation "Protection of the Environment Operations (Noise Control) Regulations 2017". The guaranteed sound power level of the product is specified in

Product damage

We are not responsible for damages to our product if:

- the product is incorrectly repaired.
- the product is repaired with parts that are not from the manufacturer or not approved by the manufacturer.
- the product has an accessory that is not from the manufacturer or not approved by the manufacturer.
- the product is not repaired at an approved service center or by an approved authority.

Support

For support about the product, go to the Support section on www.husqvarna.com to access instructions, troubleshooting guides, or to use the Husqvarna Self-Service and the Product Assistant (if available in your market). For more support about the product, speak to your Husqvarna servicing dealer.

Safety

Safety definitions

Warnings, cautions and notes are used to point out specially important parts of the manual.

operator or bystanders if the instructions in the manual are not obeyed.



WARNING: Used if there is a risk of injury or death for the



CAUTION: Used if there is a risk of damage to the product, other materials or the adjacent area if

the instructions in the manual are not obeyed.

Note: Used to give more information that is necessary in a given situation.

Safety instructions for operation



WARNING: Read the warning instructions that follow before you use the product.

- Do not use the product if the power cord, high-pressure hose, trigger lockout or spray handle is damaged.
- Do a check for damage before you operate the product. Do not use the product if parts are damaged or missing.
- Hold the spray handle tightly with both hands. A kickback force occurs when you pull the power trigger.
- Be careful when you operate the product. The high pressure supplied by the product is dangerous and can cause injury.
- Do not point the jet in the direction of you, other persons or animals.
- Do not point the jet in the direction of yourself or others to clean footwear.
- Do not point the jet in the direction of electrical equipment or the product itself.
- Use personal protective equipment when you operate the product. Refer to *Personal protective equipment on page 13*.
- Do not operate the product near persons unless they wear protective equipment.
- If you use a cleaning agent, follow the safety instructions for the cleaning agent.
- Use Husqvarna cleaning agents only.
- Use correct water pressure and cleaning agents, and use the product only for the tasks given in this manual. If you use incorrect water pressure, cleaning agent, or use the product for other tasks than the tasks given in this manual, it can cause damage to the product, surfaces, materials or other devices. Husqvarna does not accept liability for damage that is caused by incorrect use.
- It is not recommended that you connect the product to

potable water mains. If you must connect the product to potable water mains, obey local and national regulations. Use a backflow preventer (not included) if it is necessary. Water that has flowed through a backflow preventer is considered to be non-potable.

- Do not spray flammable liquids. Risk of explosion.
- Do not let children operate the product.
- Do not let children play with the product.
- Do not let persons operate the product without training.
- Use only accessories and spare parts that are approved by Husqvarna.
- Make sure that the electric connection is made by an approved electrician and that it complies with IEC 60364-1.
- Use a residual-current device that stops the electricity if the leakage current is more than 30 mA for 30 ms. If you do not have a residual-current device, use a device that will prove earth circuit.
- Use motor start/delayed fuses with characteristic C or D according to IEC 898-1 or IEC947-2, or corresponding standards outside IEC.
- PW 480, PW 490 impedance information: When connecting the high pressure washers PW 480, PW 490 to a power supply, the maximum allowed impedance is 0.40234Ω (Z_{max}). Consult with the power supply authority to make sure that the equipment is connected only to a power supply that has the maximum allowed impedance or less.
- No actions are needed for adjusting products marked with dual voltage and frequency.
- If it is necessary to use an extension cable, make sure that it is applicable for operation outdoors. Make sure that the socket is at a minimum distance of 60 mm from the ground. The connection must always be kept dry.
- Put the power switch in the off (0) position, disconnect the power plug, and engage the power trigger lockout before you go away from the product.
- Put the power switch in the off (0) position and disconnect the power plug before you change accessory.
- Put the power switch in the off (0) position and disconnect the power plug before you

clean or do maintenance on the product.

- Do not operate the product in environments where the ambient temperature is less than 0°C.
- Do not start a frozen product.
- Do not operate the product indoors.
- Do not put objects on the product when it is in operation.
- Do not drink water that has been used with the product.
- Do not operate the product near open windows.
- Watch out for thrown objects. Stones and loose objects can be thrown up into the eyes causing blindness or serious injury.
- If the product does not operate correctly, refer to *Personal protective equipment on page 13*.

Personal protective equipment



WARNING: Read the warning instructions that follow before you use the product.

-
- Personal protective equipment cannot fully prevent injury but it decreases the degree of injury if an accident does

occur. Let your dealer help you select the right equipment.

- Use heavy-duty, slip-resistant, boots or shoes. Do not use open shoes or go with bare feet.
- Use protective clothes.
- Use approved hearing protection.
- Use protective goggles.
- Use breathing protection with class FFP2 or equivalent if you operate the product in environments where dangerous aerosols can be formed.

Safety devices on the product



WARNING: Read the warning instructions that follow before you use the product.

-
- Do not use a product with safety devices that are damaged or do not operate correctly.
 - Do not remove or make modifications to safety devices.
 - Do a check of the safety devices regularly. If the safety devices are damaged or do not operate correctly, speak to your Husqvarna service agent.

Power trigger lockout

The power trigger lockout (A) prevents accidental operation of the power trigger (B). When the power trigger lockout is in the locked position, the power trigger cannot be pushed in.

(Fig. 13)

Power trigger

The product starts when the power trigger is pushed in. The product stops when the power trigger is released.

Thermal protector

The product has an automatic thermal protector. If the product becomes too hot, the thermal protector will stop the power supply to the product. If the thermal protector has stopped the power, wait until the product is cool. The thermal protector will reset automatically when the product is sufficiently cool.

Hydraulic relief valve

The product has an integrated hydraulic relief valve that prevents too high pressure in the system.

Safety instructions for maintenance



WARNING: Read the warning instructions that follow before you do maintenance on the product.



CAUTION: Always do maintenance before you start the product after a long time in storage.

- Put the power switch in the off (0) position and disconnect the power plug from the power source before you do maintenance on the product.
- Disconnect the product from the water source and make sure that all parts are dry before you do maintenance on the product.
- Do the maintenance work written in this operator's manual only.
- Use only spare parts recommended by Husqvarna. High pressure water hoses, fittings and couplings are important for the safety when you operate the product. Use only hoses, fittings and couplings that

are recommended by the manufacturer.

- Do not repair the product. Speak to your Husqvarna service agent.
- Speak to your Husqvarna service agent if the power plug or power cord is damaged.
- Do not let children clean or do maintenance on the product.

General safety instructions



WARNING: Read the warning instructions that follow before you use the product.

- This product is dangerous if used incorrectly or if you are not careful. Injury or death can occur if you do not obey the safety instructions.
- Always be careful and use your common sense. If you are not sure how to operate the product in a special situation, stop and speak to your Husqvarna service agent before you continue.
- Keep in mind that the operator will be held responsible for accidents that involve other persons or their property.

- Keep the product clean. Make sure that you can clearly read signs and decals.
- Never allow children or people unfamiliar with these instructions to use the appliance. Local regulations may restrict the age of the operator.
- This product can be operated by persons with reduced physical, sensory, or mental capabilities if they are supervised or given the instructions for how to operate the product safely and understand the hazards involved.
- This product can be operated by persons who do not have the necessary experience or knowledge if they are supervised or given the instructions for how to operate the product safely and understand the hazards involved.
- Do not use the product if you are tired, ill, or under the influence of alcohol, drugs or medicine. This has a negative effect on your vision, alertness, coordination and judgement.
- Do not use a damaged product.

- Do not change this product or use it if it is possible that it has been changed by others.

Assembly

Introduction



WARNING: Read and understand the safety chapter before you assemble the product.

To install the lower holder for the spray handle and the spray lance

- Push the lower holder for the spray lance into the handle until it locks in position. (Fig. 14)

To install the upper holder for the spray handle and the spray lance

- Install the upper holder with the screw. (Fig. 15)

To install the handle for the hose reel

- Push the handle for the hose reel into the holder until it locks in position. (Fig. 16)

To install the garden hose adapter

1. Remove the transport cover from the water inlet and discard it. (Fig. 17)
2. Install the water filter and the garden hose adapter on the water inlet.



CAUTION: Make sure that you install the garden hose adapter straight on the water inlet. If the garden hose adapter is not installed straight, it can cause damage to the threads and leakage can occur.

3. Tighten the garden hose adapter fully.
4. Remove the garden hose adapter in the opposite sequence.

Operation

Introduction



WARNING: Read and understand the safety chapter before you use the product.

Husqvarna Connect

Husqvarna Connect is a free app for your mobile device. The Husqvarna Connect app gives extended functions for your Husqvarna product:

- Extended product information.
- Information about, and help with, product parts and servicing.

To start to use Husqvarna Connect

1. Download the Husqvarna Connect app on your mobile device.
2. Register in the Husqvarna Connect app.
3. Follow the instruction steps in the Husqvarna Connect app to connect and register the product.

Note: Husqvarna Connect app is not available for download in all markets. Speak to your servicing dealer for more information.

To install the spray handle

- Hold the spray handle tightly with one hand and push the high-pressure water hose into the quick connection on the spray handle. (Fig. 18)

To remove the spray handle

- Push the button on the bottom of spray handle and pull out the high-pressure water hose. (Fig. 19)

To install the spray lance

1. Hold the spray handle with one hand and push the coupling on the spray lance into the spray handle. (Fig. 20)
2. Turn the spray lance clockwise and release the spray lance. The spray lance locks in position.

To remove the spray lance

1. Push in the spray lance and turn it counterclockwise. (Fig. 21)
2. Pull out the spray lance from the spray handle.

To install and remove a nozzle

The product is supplied with the 2 nozzles that follow:

- Gentle nozzle with a straight water jet

- Rough nozzle with a rotating water jet

The gentle nozzle can be used to clean sensitive surfaces, for example vehicles. The rough nozzle can be used to clean surfaces that are not sensitive, for example driveways.

(Fig. 22)



CAUTION: Do not use the rough nozzle on sensitive surfaces, for example painted surfaces on a vehicle. The rotating water jet can cause damage to the surface.

- To install a nozzle, hold the spray lance with one hand and push the coupling on the nozzle into the spray lance. (Fig. 23)
- Turn the nozzle clockwise and release the nozzle. The nozzle locks in position.
- To remove a nozzle, push in the nozzle and turn it counterclockwise. (Fig. 24)
- Pull out the nozzle from the spray lance.

To adjust the position of the spray handle and the spray lance

- Turn the spray handle and the spray lance to a desired position. (Fig. 25)

To adjust the handle height

1. Push and hold the handle height adjustment button. (Fig. 26)
2. Pull the handle to a suitable position.
3. Release the handle height adjustment button.

To adjust the pressure of the water jet

The nozzle with a straight water jet has adjustable pressure.



CAUTION: Do not use high pressure on sensitive surfaces. The water jet can cause damage to the surface.

- To increase the pressure of the water jet, turn the nozzle clockwise. (Fig. 27)
- To decrease the pressure of the water jet, turn the nozzle counterclockwise. (Fig. 28)

To adjust the amount of cleaning agent

- To increase the amount of cleaning agent, turn the switch clockwise. (Fig. 29)
- To decrease the amount of cleaning agent, turn the switch counterclockwise.

To adjust the water pressure and the water flow

- To increase the water pressure and the water flow, turn the switch clockwise. (Fig. 30)

- To decrease the water pressure and the water flow, turn the switch counterclockwise.

To operate the product

1. Connect the product to a water source. Refer to *To connect the product to a water source on page 17*.
2. Bleed the system. Refer to *To bleed the system on page 18*.
3. Start the product. Refer to *To start the product on page 18*.

To connect the product to a water source

The product can be used with water from the water mains or water from an open water source, for example a lake or a water barrel.

- To connect the product to the water mains, refer to *To connect the product to the water mains on page 17*.
- To connect the product to an open water source, refer to *To connect the product to an open water source on page 18*.

To connect the product to the water mains

1. Install the garden hose adapter and the water filter to the water inlet on the product, if applicable. Refer to *To install the garden hose adapter on page 16*.
2. Connect the garden hose to the water mains. Use a ½ in. garden hose that is 10–25 m long. (Fig. 31)



CAUTION: The water pressure in the water mains must not be more than 1 MPa (10 bar).



CAUTION: The water temperature in the water mains must not be more than 60°C.



CAUTION: Do not connect the product to potable water mains, if possible. If you must connect the product to potable water mains, obey local and national regulations. If it is necessary, use a backflow preventer. Refer to *Approved accessories on page 23*.

3. Open the valve on the water mains and make sure that water can flow freely from the garden hose. (Fig. 32)
4. Close the valve on the water mains.
5. Connect the garden hose to the water inlet on the product. (Fig. 33)
6. Connect the power plug to a power source.

7. Hold the spray handle tightly with one hand and push the high-pressure hose into the quick coupling on the spray handle. (Fig. 34)
8. Open the valve on the water mains.
9. Bleed the system before you operate the product. Refer to *To bleed the system on page 18*.

To connect the product to an open water source

The product can be used with water from an open water source, for example a lake or a water barrel. Use a ½ in. suction hose that is maximum 3 m long. Refer to *Approved accessories on page 23*.

(Fig. 35)



CAUTION: The water temperature in the water source must not be more than 20°C.



CAUTION: The product must not be more than 1 m above the water source.

1. If the garden hose adapter is installed, remove it from the water inlet on the product. (Fig. 36)



CAUTION: Do not remove the water filter in the water inlet.

2. Install a suction hose to the water inlet on the product. (Fig. 37)
3. Put a suction hose fully in the water source and make sure that the filter is fully submerged.



CAUTION: Do not use a suction hose without a filter.

4. Push in the button on the spray handle and pull out the high-pressure hose from the spray handle. (Fig. 38)
5. Connect the power plug to a power source.
6. Turn the power switch to the on (I) position and let the product operate for 2 minutes.
7. Turn the power switch to the off (0) position.
8. Hold the spray handle tightly with one hand and push the high-pressure hose into the quick coupling on the spray handle. (Fig. 34)
9. Bleed the system before you operate the product. Refer to *To bleed the system on page 18*.

To bleed the system



CAUTION: Make sure that the power switch is in the off (0) position before you bleed the system.

1. Connect the product to a water source. Refer to *To connect the product to a water source on page 17*.
2. Install the spray lance on the spray gun. Refer to *To install the spray lance on page 16*.
3. Disengage the power trigger lockout. Refer to *To engage and disengage the power trigger lockout on page 18*.
4. Push and hold the power trigger until no water comes out from the nozzle on the spray lance. (Fig. 39)

To disconnect the product from the water source

1. Turn the power switch to the off (0) position.
2. If the product is connected to the water mains, close the valve on the water mains.
3. If the product is connected to the water mains, disconnect the garden hose and the backflow preventer from the water mains. (Fig. 40)
4. If the product is connected to an open water source, remove the suction hose from the water source.
5. Push and hold the power trigger until no water comes out from the nozzle on the spray lance.
6. Disconnect the garden hose from the water inlet on the product. (Fig. 41)

Note: If the product is connected to an open water source, disconnect the suction hose.

7. Push the button on the spray handle and pull out the high-pressure hose from the spray handle. (Fig. 42)
8. Turn the power switch to the on (I) position. Let the product operate until no water comes out of the high-pressure hose.
9. Turn the power switch to the off (0) position.
10. Let the spray handle, the spray lance, and the nozzles become dry before you put the product in storage.

To engage and disengage the power trigger lockout

- To engage the power trigger lockout, push the button up. (Fig. 43)
- To disengage the power trigger lockout, push the button down.

To start the product



CAUTION: Use the product only in upright position. Using the product in horizontal position can damage the product.

1. Connect the product to a water source. Refer to *To connect the product to a water source on page 17*.
2. Connect the power plug to a power source.

3. Turn the power switch to the on (I) position. (Fig. 44)
4. Disengage the power trigger lockout. Refer to *To engage and disengage the power trigger lockout on page 18.*
5. Push the power trigger on the spray handle.

Note: The product stops automatically when you release the power trigger.

To stop the product

Note: The product stops automatically when you release the power trigger.

1. Release the power trigger on the spray handle.
2. Engage the power trigger lockout. Refer to *To engage and disengage the power trigger lockout on page 18.*
3. Turn the power switch to the off (0) position. (Fig. 45)
4. Disconnect the power plug from the power source.
5. Disconnect the product from the water source. Refer to *To disconnect the product from the water source on page 18.*

Note: Always disconnect the product from the water source if you go away from the product for more than 5 minutes.

To use a cleaning agent

1. Remove the cleaning agent tank from its holder. (Fig. 46)
2. Remove the cap of cleaning agent tank. (Fig. 47)
3. Fill the tank with cleaning agent. (Fig. 48)



CAUTION: Use only cleaning agents that are recommended by Husqvarna.



CAUTION: Make sure the hose is not kinked.

4. Install the cap on the cleaning agent tank. Fit the cleaning agent tank into its position. (Fig. 49)
5. Install the gentle nozzle. Refer to *To install and remove a nozzle on page 16.*
6. Adjust the gentle nozzle to cleaning agent mode.
7. Turn the cleaning agent switch to adjust the amount of cleaning agent. Refer to *To adjust the amount of cleaning agent on page 17.*
8. Connect the product to a water source. Refer to *To connect the product to a water source on page 17.*
9. Start the product. Refer to *To start the product on page 18.*

Maintenance

Introduction



WARNING: Before you do maintenance, you must read and understand the safety chapter.

For all servicing and repair work on the product, special training is necessary. We guarantee the availability of professional repairs and servicing.

For more detailed information, refer to www.husqvarna.com.

Maintenance schedule

Maintenance	Before use	After use
Do a general inspection. Refer to <i>To do a general inspection on page 20.</i>	X	
Clean the product. Refer to <i>To clean the product on page 20.</i>		X
Clean the spray lance and the nozzles. Refer to <i>To clean the spray lance and the nozzles on page 20.</i>		X
Clean the water filter. Replace the water filter if it is damaged. Refer to <i>To clean the water filter on page 20.</i>		X
Lubricate the O-rings on the couplings. Refer to <i>To lubricate the O-rings on the couplings on page 20.</i>		X

To do a general inspection



WARNING: Put the power switch in the off (0) position and disconnect the power plug from the power source before you do maintenance on the product.



CAUTION: Disconnect the product from the water source and make sure that all parts are dry before you do maintenance on the product.

- Make sure that the nuts and the screws on the product are tightened.
- Make sure that the cables on the product are not in a position where they can become damaged.
- Examine the high-pressure hose for wear and damage.



WARNING: Do not operate the product if the high-pressure hose is worn or damaged.

To clean the product



WARNING: Put the power switch in the off (0) position and disconnect the power plug from the power source before you do maintenance on the product.



CAUTION: Disconnect the product from the water source and make sure that all parts are dry before you do maintenance on the product.

- Clean all external parts with a dry cloth.
- Do not use a high-pressure washer to clean the product.
- Keep the air inlets clean to make sure that the product always has sufficiently cool temperature.

To clean the spray lance and the nozzles



WARNING: Put the power switch in the off (0) position and disconnect the power plug from the power source before you do maintenance on the product.



CAUTION: Disconnect the product from the water source and make sure that all

parts are dry before you do maintenance on the product.

1. If a nozzle is installed on the spray lance, remove it from the spray lance. Refer to *To install and remove a nozzle on page 16*.
2. Clean the nozzles, the coupling on the spray lance, and the coupling on the spray handle with soap and water. (Fig. 50)
3. If there is blockage in the nozzles, remove it with the cleaning tool. (Fig. 51)

To clean the water filter



WARNING: Put the power switch in the off (0) position and disconnect the power plug from the power source before you do maintenance on the product.



CAUTION: Disconnect the product from the water source and make sure that all parts are dry before you do maintenance on the product.

1. If the garden hose adapter is installed, remove it from the water inlet on the product. (Fig. 52)
2. Pull out the water filter. Use a pair of pliers. (Fig. 53)
3. Do a check for damage on the water filter. Replace the water filter if it is damaged. (Fig. 54)
4. Flush the water filter with clean water. (Fig. 55)

To lubricate the O-rings on the couplings



WARNING: Put the power switch in the off (0) position and disconnect the power plug from the power source before you do maintenance on the product.



CAUTION: Disconnect the product from the water source and make sure that all parts are dry before you do maintenance on the product.

1. Remove the spray lance from the spray handle and the spray handle from the high-pressure hose. Refer to *To install the spray lance on page 16* and *To install the spray handle on page 16*.
2. Lubricate the O-rings on the garden hose adapter, the spray lance, and the high-pressure hose with grease. Refer to *Technical data on page 22* for the correct type of grease. (Fig. 56)

Troubleshooting

Troubleshooting schedule

Problem	Possible cause	Solution
The product does not start.	The power plug is not connected to a power source.	Connect the power plug to a power source
	The power switch is in the off (0) position.	Turn the power switch to the on (I) position.
	There is no electricity in the power source.	Speak to an approved electrician.
	The power cord is damaged.	Speak to an approved service agent.
	The thermal protector has stopped the power.	Wait until the product becomes cool before you operate the product again.
	An incorrect type of extension cable is used.	Make sure that the extension cable is unwound fully and that the voltage supply agrees with the voltage of the product.
The fuse blows during start or operation.	An incorrect type of fuse is used.	Make sure that you use a slow-blow fuse that has class "C" or "K".
The product does not stop.	The product is damaged.	Disconnect the power plug and speak to an approved service agent.
The product becomes too hot.	The air flow is not sufficient.	Clean the air intakes.
The product does not operate smoothly.	There is air in the system.	Bleed the system.
The water pressure is unsatisfactory.	The hose is bent	Make sure that there are no bends on the hoses.
	The power switch is in the off (0) position.	Turn the power switch to the on (I) position.
	The water flow is not sufficient.	Make sure that the product is connected to the water source correctly. Check the water pressure settings on both the pressure switch and the nozzle. Make sure that the water flow is sufficient.
	The water filter is clogged.	Clean the water filter. Check the water pressure settings on both the pressure switch and the nozzle.
	There is air in the system.	Bleed the system.
	The accessory is not correct.	Make sure that you use the correct accessory.

Transportation, storage and disposal

Transportation

- Disconnect the power plug from the power source before transportation of the product.
- Disconnect the product from the water source before transportation of the product.
- Attach the product to prevent movement during transportation.

Storage

- Drain all water from the product, the high-pressure water hose, and the accessories before you put the product in storage.
- Prepare the product for storage. Refer to *To prepare the product for storage on page 22*.
- Keep the product in a dry and frost-free environment.

To prepare the product for storage

1. Stop the product and disconnect the power plug from the power source.
2. Disconnect the product from the water source. Refer to *To disconnect the product from the water source on page 18*.
3. Make sure that all accessories are dry.

4. Put the spray handle, the spray lance, and the nozzles in their holders.
5. Disconnect the high-pressure water hose from the spray handle and wind the high-pressure water hose on the hose reel. (Fig. 57)
6. Put the power cord on its holder and attach the strap. (Fig. 58)

Disposal

The symbol means that the product is not domestic waste. Recycle it through your local collection system for electrical and electronic equipment. This contributes to proper end of life waste management. Contact local authorities, domestic waste services, your dealer or retailer for information. Incorrect disposal may have potential negative effects on the environment and human health, due to the potential presence of hazardous substances.

(Fig. 12)

Note: The symbol shows on the product or package of the product.

Technical data

Technical data

	PW 480	PW 490	PW 490
Article number		9704684-01	9704684-02
Motor and pump			
Type	Series AC Motor	Series AC Motor	Series AC Motor
Power, W	2900	3300	2400
Voltage range, V	230	230	230 - 240
Frequency, Hz	50	50	50
Rated current, A	12.6	14.5	10
Max. water flow, l/h	610	650	520
Water output pressure, during operation, bar/MPa	140/14	150/15	120/12
Max. water output pressure, bar/MPa	180/18	190/19	160/16
Max. water inlet pressure, bar/MPa	10/1	10/1	10/1
Max. water inlet temperature, °C/°F	60/140	60/140	60/140
Max. water inlet temperature (in suction mode), °C/°F	20/68	20/68	20/68

	PW 480	PW 490	PW 490
Article number		9704684-01	9704684-02
IP rating	IPX5	IPX5	IPX5
Safety class	Class I	Class I	Class I
Lubrication			
Type of grease for lubrication of O-rings	Universal white silicone grease	Universal white silicone grease	Universal white silicone grease
Weight			
Weight, kg	27.8	28.4	28.4
Noise emissions ¹			
Sound power level, measured dB(A)	86	86	86
Sound power level, guaranteed L _{WA} dB(A)	89	89	89
Sound levels ²			
Sound pressure level L _{pA} , dB(A)	72	72	72
Vibration levels ³			
Hand/arm (with standard nozzle) m/s ²	<2.5	<2.5	<2.5

Accessories

Approved accessories

Approved accessories	Art. no.
Surface cleaner SC 400	590 65 78-01
Water filter	590 65 93-01
Backflow preventer	590 65 95-01
Suction hose	590 65 97-01
Foam sprayer FS 400	546 87 18-01
Water suction nozzle	590 66 05-01
Rotating brush kit	590 66 06-01
Extension hose, textile reinforced, 10 m	590 66 09-01
Pipe cleaning hose, 15 m	590 66 10-01
Angled spray lance	590 66 11-01

¹ Noise emissions in the environment measured as sound power (L_{WA}) in conformity with EC directive 2000/14/EC.

² Sound pressure level according to ISO 3744.

³ Vibration level according to ISO 5349-1.

Approved accessories	Art. no.
Stone and wood cleaner	590 66 12-01
Vehicle cleaner and wax	590 66 13-01
O-ring kit	591 10 64-01

Declaration of Conformity

EU Declaration of Conformity

We, Husqvarna AB, SE-561 82 Huskvarna, Sweden, tel:
+46-36-146500, declare on our sole responsibility that
the product:

Description	Pressure washer
Brand	Husqvarna
Type / Model	PW 480, PW 490
Identification	Serial numbers dating from 2022 and onwards

complies fully with the following EU directives and
regulations:

Regulation	Description
2006/42/EC	"relating to machinery"
2014/30/EU	"relating to electromagnetic compatibility"
2000/14/EC Annex V	"relating to the noise emissions in the environment"
2011/65/EU	"on the restriction of the use of certain hazardous substances in electrical and electronic equipment"

and that the following standards and/or technical
specifications are applied: EN 60335-1:2012/A11:2014/
A13:2017/A1:2019/A14:2019/A2:2019/A15:2021, EN
60335-2-79:2012, EN 55014-1:2017/A11:2020, EN
61000-3-11:2000, EN 55014-2:2015, EN IEC
63000:2018.

For information relating to noise emissions, refer to
Technical data on page 22.

Huskvarna, 2023-02-09



Claes Losdal, Development Manager/Garden Products,
Husqvarna AB

Responsible for technical documentation

