

Husqvarna®

BR600

EAC

EN	Operator's manual	2-11
BG	Ръководство за експлоатация	12-21
CS	Návod k použití	22-30
DA	Brugsanvisning	31-39
DE	Bedienungsanweisung	40-49
EL	Οδηγίες χρήσης	50-59
ES	Manual de usuario	60-69
ET	Kasutusjuhend	70-78
FI	Käyttöohje	79-87
FR	Manuel d'utilisation	88-97
HU	Használati utasítás	98-107
LT	Operatoriaus vadovas	108-116
LV	Lietošanas pamācība	117-125
NL	Gebruiksaanwijzing	126-135
NO	Bruksanvisning	136-144
PL	Instrukcja obsługi	145-154
PT	Manual do utilizador	155-164
RO	Instrucțiuni de utilizare	165-173
RU	Руководство по эксплуатации	174-183
SK	Návod na obsluhu	184-192
SL	Navodila za uporabo	193-201
SV	Bruksanvisning	202-210
TR	Kullanım kılavuzu	211-219
ZH	操作手册	220-227
EN-US	Operator's manual	228-236
ES-MX	Manual de usuario	237-245
FR-CA	Manuel d'utilisation	246-254
IT-US	Manuale dell'operatore	255-263

Contents

Introduction.....	2	Maintenance.....	7
Safety.....	3	Transportation, storage and disposal.....	8
Assembly.....	6	Technical data.....	8
Operation.....	7	Declaration of Conformity.....	10

Introduction

Product description

We have a policy of continuous product development and therefore reserve the right to modify the design and appearance of the products without prior notice.

Note: This manual cover both gasoline operated and battery operated power units.

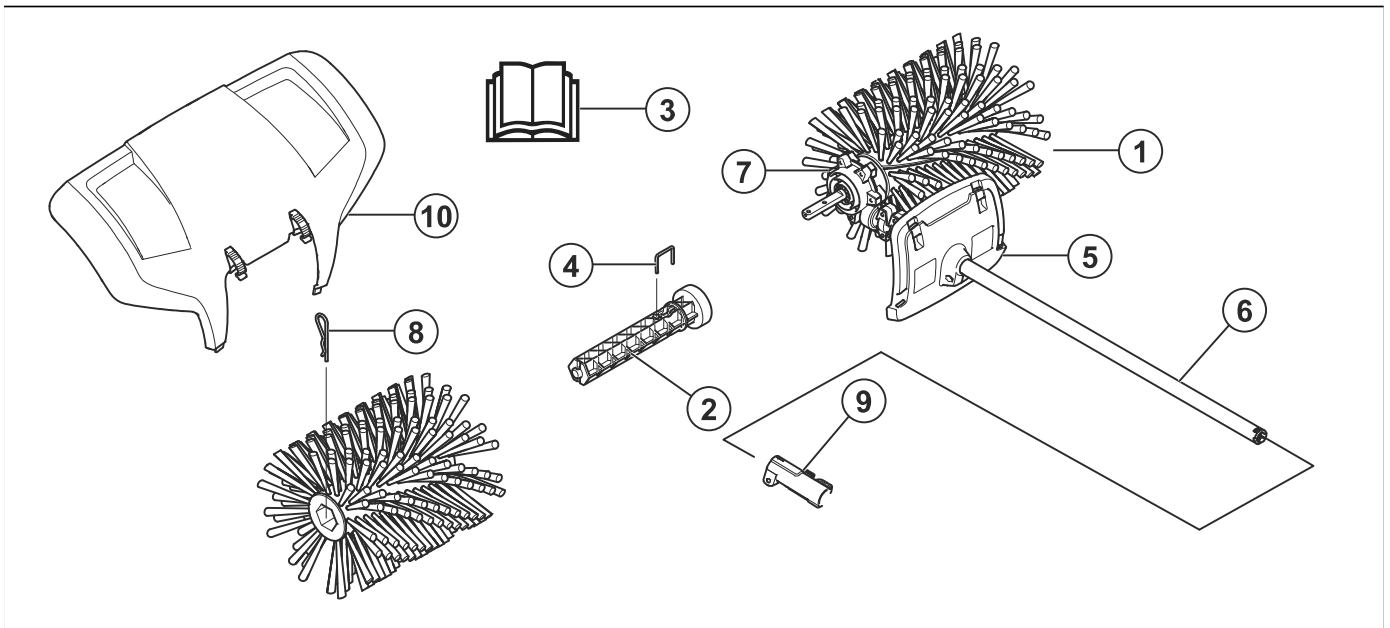
Intended use



WARNING: This attachment may only be used together with the intended product, see the accessory chapter in the Operator's Manual of the product.

The attachment is only designed for brushing pathways, asphalt roads and such.

Attachment overview



1. Brush drum
2. Drum axle
3. Operator's manual
4. Locking pin
5. Guard (Protection on shaft)
6. Shaft
7. Gear housing
8. Split pin
9. Shaft coupling (Included with the product)
10. Splash guard

Symbols on the attachment and on the power unit



Careless or incorrect use of this attachment can result in serious or fatal injury to the operator or others.



Read the operator's manual carefully and make sure you understand the instructions before you use the attachment.





Use approved hearing protection. Use approved eye protection. Use a breathing mask when there is a risk of dust.



This attachment is in accordance with applicable EC directives.



This product conforms to applicable UK regulations.



Rotating parts. Keep hands and feet clear. The arrow indicates the direction of rotation.



Always wear approved protective gloves.



Wear sturdy, non-slip boots.



Watch out for thrown objects and ricochets.



The operator must ensure that no people or animals come closer than 15 m. When several operators are working at the same site a safety distance of at least 15 m must be in effect. The attachment can forcibly throw objects that can bounce back. This can result in serious eye injuries if the recommended safety equipment is not used.



Keep a minimum of 15 m / 50 ft distance to persons and animals during operation of the product.



Keep all parts of your body away from the hot surfaces.



Noise emission to the environment label as per EU and UK directives and regulations, and New South Wales legislation "Protection of the Environment Operations (Noise Control) Regulation 2017". The guaranteed sound power level of the product is specified in *Technical data on page 8* and on the label.

Note: Other symbols/decals on the attachment refer to special certification requirements for certain markets.

Safety

Safety definitions

Warnings, cautions and notes are used to point out specially important parts of the operator's manual.



WARNING: Used if there is a risk of injury or death for the operator or bystanders if the instructions in the manual are not obeyed.



CAUTION: Used if there is a risk of damage to the product and/or the attachment, other materials or the adjacent

area if the instructions in the manual are not obeyed.

Note: Used to give more information that is necessary in a given situation.

General safety instructions



WARNING: Read the safety instructions that follow before you use the attachment.

- Please read the operator's manual carefully and make sure you understand the instructions before using the attachment.
- These instructions supplement the instructions that were included with the product. For other procedures, please refer to the operating instructions for the product.
- Under no circumstances may the design of the attachment be modified without the permission of the manufacturer. Do not use an attachment that appears to have been modified by others and always use original accessories. Non-authorized modifications and/or accessories can result in serious personal injury or the death of the operator or others.

Read all instructions



WARNING: When using electric gardening appliances, basic safety precautions should always be followed to reduce the risk of fire, electric shock, and personal injury, including the following:

Safety instructions for operation



WARNING: Read the warning instructions that follow before you use the product.

- Make sure to prevent unintentional starting when assembling, checking and/or performing maintenance. If you have a gasoline operated product, disconnect the spark plug cap from the spark plug. If you have a battery operated product, remove the battery.
- At times grass and stones can become caught in the tines. Always stop the engine/motor when cleaning.
- Watch out for thrown objects. Always wear eye protection. Never bend over the brush drum. Stones, rubbish, etc. can be thrown up into the eyes causing blindness or serious injury.
- The gear can get hot during use and may remain so for a while afterwards. You could get burnt if you touch it.
- Hold the product securely when starting.
- Although the brush drums do not have the same force as lawn mower blades, for example, you should avoid working with materials that can cause personal injury or damage to property if thrown out.
- Do not use the product unless you are able to call for help in the event of an accident.
- Only use the product for the purpose it was intended for.
- Never use the product if you are tired, if you have drunk alcohol, or if you are taking medication that could affect your vision, your judgement or your coordination.

- Never use the product in extreme weather conditions such as severe cold, very hot and/or humid climates.
- Never use a product that is faulty. Carry out the safety checks, maintenance and service instructions described in this manual. Some maintenance and service measures must be carried out by trained and qualified specialists. See instructions under the Maintenance heading.
- Never allow children to use the product.
- Never allow anyone else to use the product without first ensuring that they have read and understood the contents of the operator's manual.
- Keep unauthorized persons at a distance. Children, animals, onlookers and helpers should be kept outside the safety zone of 15 m while you work. Stop the product immediately if anyone approaches.
- If you encounter a situation where you are uncertain how to proceed you should ask an expert. Contact your dealer or your service workshop.
- Avoid all usage which you consider to be beyond your capability.
- Observe your surroundings and make sure that there is no risk of people or animals coming in contact with or affect your control of the product.
- Listen out for warning signals or shouts when you are wearing hearing protection. Always remove your hearing protection as soon as the engine/motor stops.
- Do not use the product in bad weather, such as dense fog, heavy rain, strong wind, intense cold, etc. Working in bad weather is tiring and often brings added risks, such as icy ground.
- Make sure you can move and stand safely.



- The product must be switched off before moving.
- Do not put the product down with the engine/motor running unless you have it in clear sight.
- Always use both hands to hold the product. Hold the product at the side of your body.
- Make sure that your hands and feet do not come near the brush when the engine/motor is running.
- When the engine/motor is switched off, keep your hands and feet away from the brush until it has stopped completely.
- If heavy vibration occurs, stop the product. If you have a gasoline operated product, disconnect the HT lead from the spark plug. If you have a battery operated product, remove the battery. Make

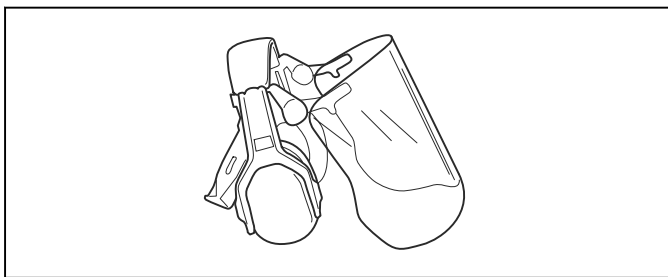
sure that the product is not damaged. Repair any damage.

Personal protective equipment

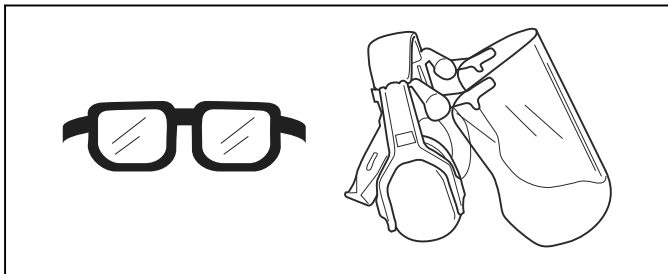


WARNING: Read the warning instructions that follow before you use the product.

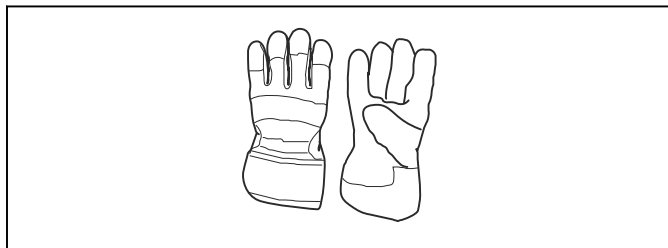
- Always use approved personal protective equipment when you use the product. Personal protective equipment cannot fully prevent injury but it decreases the degree of injury if an accident does occur. Let your dealer help you select the right equipment.
- Use approved hearing protection that provides adequate noise reduction. Long-term exposure to noise can result in permanent hearing impairment.



- Use approved eye protection. If you use a visor, you must also use approved protective goggles. Approved protective goggles must comply with the ANSI Z87.1 standard in the USAs or EN 166 in EU countries.



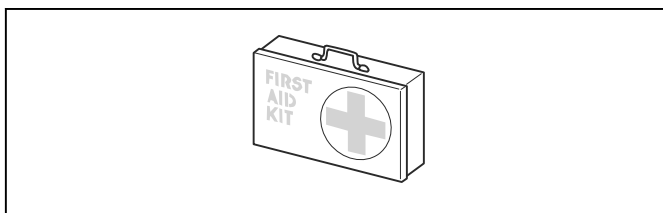
- Use gloves when necessary, for example when you attach, examine or clean the cutting equipment.



- Use protective boots with steel toes and non-slip soles.



- Use clothing made of a strong fabric. Always use heavy, long pants and long sleeves. Do not use loose clothing that can catch on twigs and branches. Do not wear jewelry, short pants, sandals or go with bare feet. Put your hair up safely above shoulder level.
- Keep first aid equipment close at hand.



Safety devices on the attachment



WARNING: Read the warning instructions that follow before you use the attachment.

This section contains the attachment's safety features, its purpose and how checks and maintenance should be carried out to ensure that it operates correctly. See instructions under the heading *Attachment overview on page 2* to find where these parts are located on your attachment.

The life span of the attachment can be reduced and the risk of accidents can increase if attachment maintenance is not carried out correctly and if service and/or repairs are not carried out professionally. If you need further information please contact your nearest servicing dealer.



WARNING: Never use an attachment with defective safety components. The attachment's safety equipment must be inspected and maintained as described in this section. If your attachment fails any of these checks, contact your service agent to get it repaired.



WARNING: All servicing and repair work on the product requires special training. This is especially true of the product's safety equipment. If your product fails any of the checks described below you must contact your service agent. When

you buy any of our products we guarantee the availability of professional repairs and service. If the retailer who sells your product is not a servicing dealer, ask him for the address of your nearest service agent.

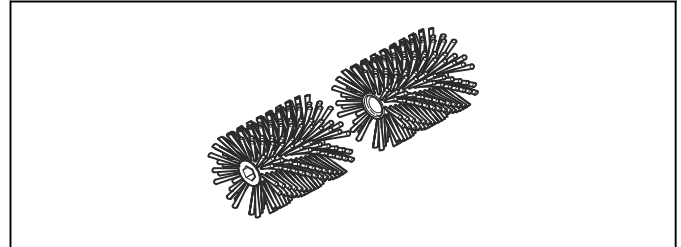
have a battery operated product, remove the battery.

Safety instructions for maintenance



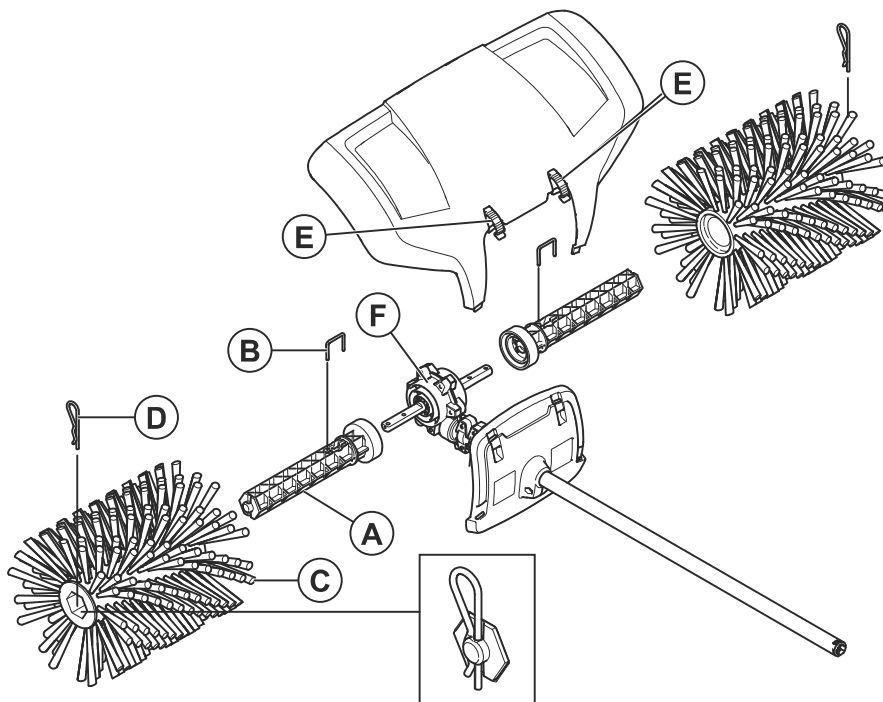
WARNING: Always stop the product before you do maintenance on the attachment. Be careful, the attachment can continue to move after the throttle/power trigger is released. Make sure that the attachment has stopped fully. If you have a gasoline operated product, disconnect the HT leads from the spark plug. If you

- Check the entire product before starting. Replace damaged parts.
- Check that all guards and covers are complete and attached correctly. Examine all nuts and screws.
- If you have a gasoline operated product, make sure that there are no fuel leaks.
- Check that the brush drums are not damaged and show no signs of cracking or other damage.



Assembly

To assemble the attachment



1. Press one of the drum axles (A) onto one of the two outgoing drive shafts from the gear housing (F). Rotate the drum axle if necessary so that the pin hole comes over the corresponding hole in the drive shaft.
2. Fasten the roller shaft with locking pin (B).
3. Put one of the brush rollers (C) onto the assembled shaft. Press in the roller until it stops.
4. Fasten the roller on the shaft with a cotter pin (D). Press in the end slightly when assembling.
5. Repeat these steps to assemble the axle and roller on the opposite side.
6. Mount the splash guard with the snap-on fasteners (E).

Note: For assembling accessories on basic product, refer to manual for basic product.

Operation

To use the attachment

1. Operate the product at full throttle/speed (or nearly full throttle/speed) with the brush resting on the surface.

Note: It is both tiring and unnecessary to lift or hold the brush above the surface when working.

2. When clearing narrow surfaces such as paths, the product can be used so that it throws materials straight in front of you. If you want to work on wider surfaces, you may need to work at an angle so that strands form on one side. Strands comprising light materials can be collected into one row or pile for later removal while hard or more bulky materials may need collecting in several strands.



3. In order to get into corners, remove the splash guard and loosen the accessory coupling and rotate the accessory half a turn.



WARNING: Rubbish will then be thrown back towards the user. Use a lower speed when reversing the product and remember that it is easy to trip over.

4. Keep a small working angle to the surface. Too large a working angle means the sweeper tends to move towards you and you risk losing control of the product.



Maintenance

Introduction

Below you will find some general maintenance instructions. If you need further information please contact your service workshop.

The air filter must be lubricated with oil to operate satisfactorily. Refer to the operator's manual of the power unit for maintenance instructions.

To do maintenance on the accessory

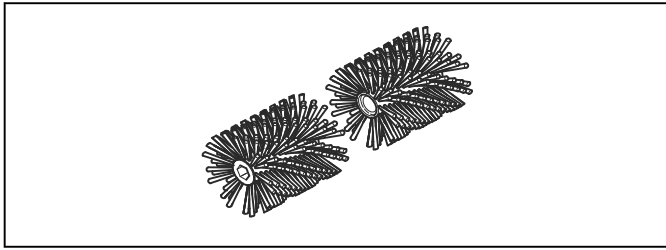


CAUTION: The accessory operates in dirty conditions. If you have a gasoline operated product, it is very important to do maintenance of the air filter regularly.



WARNING: The gear housing gets hot when the product has been in use. To avoid burning yourself do not touch the gear housing.

1. Check that the brush drums do not rotate when the throttle/power trigger is released.



2. Check that the brush drums are not damaged or cracked. Replace the brush drums if necessary.
3. Hang up the brush when in storage for long periods.

Transportation, storage and disposal

Transport and storage

If transporting the attachment on another vehicle always use approved securing devices and make sure that the attachment is securely held.

Ensure the attachment is cleaned and that a complete service is carried out before long-term storage.

Technical data

Technical data for gasoline operated products

Bristle brush	BR600
Brush drum width, mm	597
Brush drum diameter, mm	270
Weight	
Weight, kg	5.3
Noise emissions ¹	
Sound power level, measured dB (A)	106
Sound power level, guaranteed L _{WA} dB (A)	110
Sound levels ²	
Equivalent sound pressure level at the operator's ear, measured according to EN ISO 22868, dB (A):	94
Vibrations ³	
Equivalent vibration levels (a _{hv,eq}) at handles, measured according to ISO 22867, m/s ²	
Front/rear handles	3.7/6.2

¹ Noise emissions in the environment measured as sound power (L_{WA}) in conformity with EC directive 2000/14/EC. Reported sound power level for the machine has been measured with the original cutting attachment that gives the highest level. The difference between guaranteed and measured sound power is that the guaranteed sound power also includes dispersion in the measurement result and the variations between different machines of the same model according to Directive 2000/14/EC.

² Reported data for equivalent sound pressure level for the machine has a typical statistical dispersion (standard deviation) of 1 dB (A).

³ Reported data for equivalent vibration level has a typical statistical dispersion (standard deviation) of 1 m/s².

Technical data for battery operated products

325iLK + Bristle brush attachment BR600	
Brush drum width, mm	597
Brush drum diameter, mm	270
Weight	
Weight, kg	2.3+5.3
Noise emissions ⁴	
Sound power level, measured dB (A)	90
Sound levels ⁵	
Sound pressure level at the operator's ear, measured according to ISO 22868, dB (A):	80
Vibrations ⁶	
Vibration levels at handles, measured according to EN 62841-1, m/s ²	
Equipped with approved accessory (original), left/right	3.3/3.1

⁴ Reported data for sound power level for the machine has a typical statistical dispersion (standard deviation) of 3 dB (A) and has been measured with the original attachment that gives the highest level.

⁵ Reported data for sound pressure level for the machine has a typical statistical dispersion (standard deviation) of 3 dB (A) and has been measured with the original attachment that gives the highest level.

⁶ Reported data for vibration level has a typical statistical dispersion (standard deviation) of 2 m/s². For comparison of vibrations levels, battery and combustion products use vibration calculator. <https://www.husqvarna.com/uk/services-solutions/vibration-calculator/>.

Declaration of Conformity

EU Declaration of Conformity

We, **Husqvarna AB**, SE-561 82 Huskvarna, Sweden, tel:
+46-36-146500, declare on our sole responsibility that
the product:

Description	Bristle attachment
Brand	Husqvarna
Type / Model	BR600
Identification	Serial numbers dating from 2022 and onwards

complies fully with the following EU directives and
regulations:

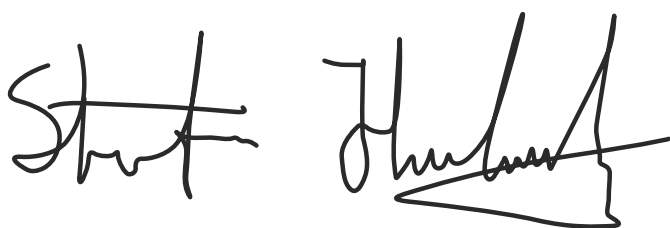
Directive / Regulation	Description
2006/42/EC	"relating to machinery"
2000/14/EC	"relating to the noise emissions in the environment"
2011/65/EU	"on the restriction of the use of certain hazardous substances in electrical and electronic equipment"

and that the following standards and/or technical
specifications are applied: EN ISO 12100:2010, EN IEC
63000:2018

RISE SMP Svenska Maskinprovning AB, Box 7035,
SE-750 07 Uppsala, Sweden has performed voluntary
type examination on behalf of Husqvarna AB.

Certificate number: SEC/15/2412

Huskvarna, 2022-03-29



Stefan Holmberg, R&D Director, Technology
Management, Husqvarna AB

Responsible for technical documentation



UK Declaration of Conformity

We, **Husqvarna AB**, SE-561 82 Huskvarna, Sweden, tel: +46-36-146500, declare on our sole responsibility that the product:

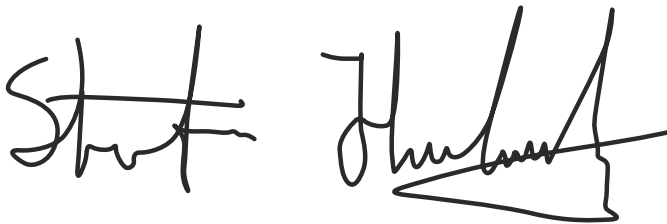
Description	Bristle attachment
Brand	Husqvarna
Type / Model	BR600
Identification	Serial numbers dating from 2022 and onwards

complies fully with the following UK regulations:

Description
The Supply of Machinery (Safety) Regulations 2008
The Noise Emission in the Environment by Equipment for use Outdoors Regulations 2001
The Restriction of the Use of Certain Hazardous Substances in Electrical and Electronic Equipment Regulations 2012

and that the following standards and/or technical specifications are applied: EN ISO 12100:2010, EN IEC 63000:2018.

Huskvarna, 2022-03-29



Stefan Holmberg, R&D Director, Technology Management, Husqvarna AB

Responsible for technical documentation

**UK
CA**

UK Importer:
Husqvarna UK Ltd
Preston Road, Co. Durham
DL5 6UP