



Husqvarna®

SR600-2

EAC

EN	Operator's manual	2-10
BG	Ръководство за експлоатация	11-20
CS	Návod k použití	21-29
DA	Brugsanvisning	30-38
DE	Bedienungsanweisung	39-48
EL	Οδηγίες χρήσης	49-58
ES	Manual de usuario	59-68
ET	Kasutusjuhend	69-77
FI	Käyttöohje	78-86
FR	Manuel d'utilisation	87-96
HU	Használati utasítás	97-106
LT	Operatoriaus vadovas	107-115
LV	Lietošanas pamācība	116-124
NL	Gebbruiksaanwijzing	125-134
NO	Bruksanvisning	135-143
PL	Instrukcja obsługi	144-153
PT	Manual do utilizador	154-163
RO	Instrucțiuni de utilizare	164-172
RU	Руководство по эксплуатации	173-182
SK	Návod na obsluhu	183-191
SL	Navodila za uporabo	192-200
SV	Bruksanvisning	201-209
TR	Kullanım kılavuzu	210-218
IT	Manuale dell'operatore	219-228
ZH	操作手册	229-237

Contents

Introduction.....	2	Maintenance.....	8
Safety.....	3	Transportation, storage and disposal.....	8
Assembly.....	6	Technical data.....	8
Operation.....	7	EC Declaration of Conformity.....	10

Introduction

Product description

We have a policy of continuous product development and therefore reserve the right to modify the design and appearance of the products without prior notice.

Note: This manual cover both gasoline operated and battery operated power units.

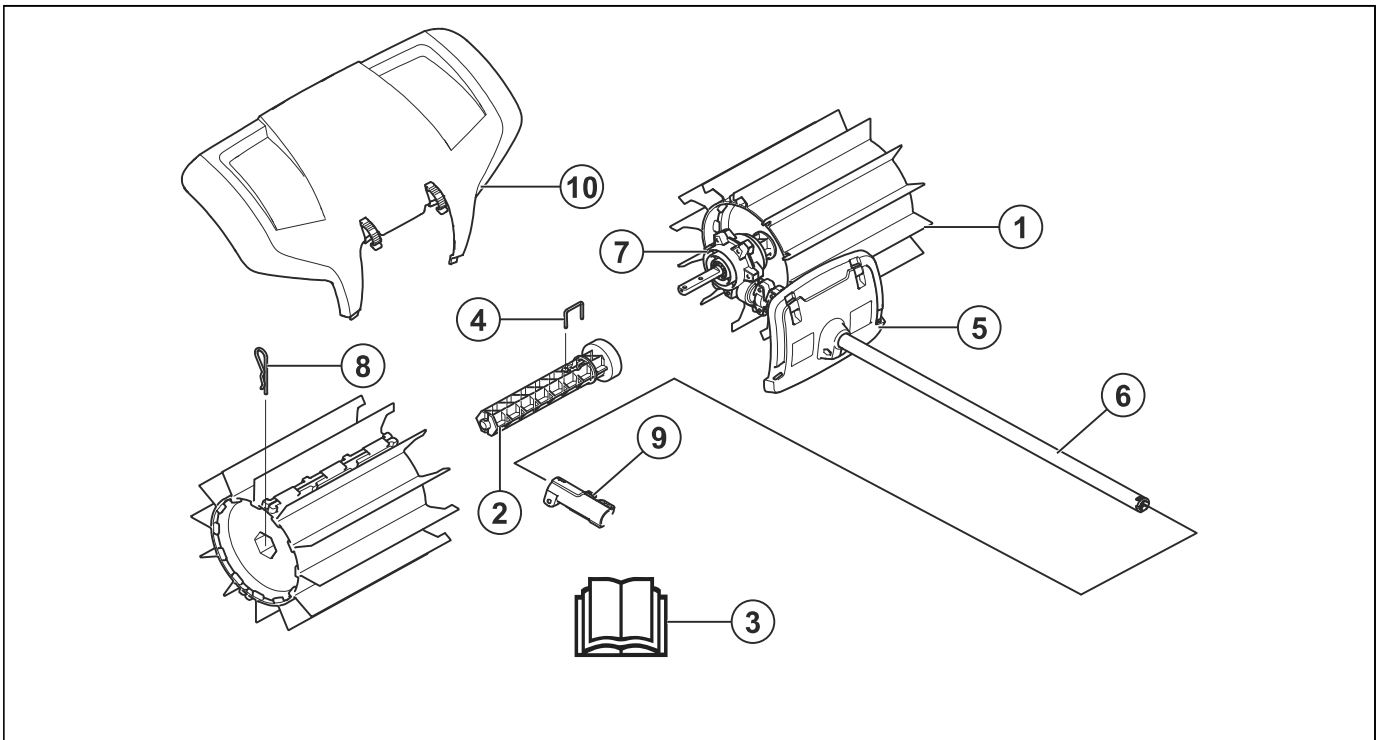
Intended use



WARNING: This attachment may only be used together with the intended product, see the accessory chapter in the Operator's Manual of the product.

The attachment is only designed for sweeping lawns, pathways, asphalt roads and the like.

Attachment overview



1. Brush drum
2. Drum axle
3. Operator's manual
4. Locking pin
5. Guard (Protection on shaft)
6. Shaft
7. Gear housing
8. Split pin
9. Shaft coupling (Included with the product)
10. Splash guard

Symbols on the attachment and on the power unit



Careless or incorrect use of this attachment can result in serious or fatal injury to the operator or others.



Read the operator's manual carefully and make sure you understand the instructions before you use the attachment.



Use approved hearing protection. Use approved eye protection. Use a breathing mask when there is a risk of dust.



This attachment is in accordance with applicable EC directives.



Rotating parts. Keep hands and feet clear. The arrow indicates the direction of rotation.



Always wear approved protective gloves.



Wear sturdy, non-slip boots.



Watch out for thrown objects and ricochets.



The operator must ensure that no people or animals come closer than 15 meters. When several operators are working at the same site a safety distance of at least 15 meters must be in effect. The attachment can forcibly throw objects that can bounce back. This can result in serious eye injuries if the recommended safety equipment is not used.



Keep a minimum of 15 m / 50 ft distance to persons and animals during operation of the product.



Keep all parts of your body away from the hot surfaces.



Noise emission to the environment according to the European Community's Directive. The attachment's emission is specified in the Technical data chapter and on the label.

Note: Other symbols/decals on the attachment refer to special certification requirements for certain markets.

Safety

Safety definitions

Warnings, cautions and notes are used to point out specially important parts of the operator's manual.



WARNING: Used if there is a risk of injury or death for the operator or bystanders if the instructions in the manual are not obeyed.



CAUTION: Used if there is a risk of damage to the product and/or the attachment, other materials or the adjacent area if the instructions in the manual are not obeyed.

Note: Used to give more information that is necessary in a given situation.

General safety instructions



WARNING: Read the safety instructions that follow before you use the attachment.

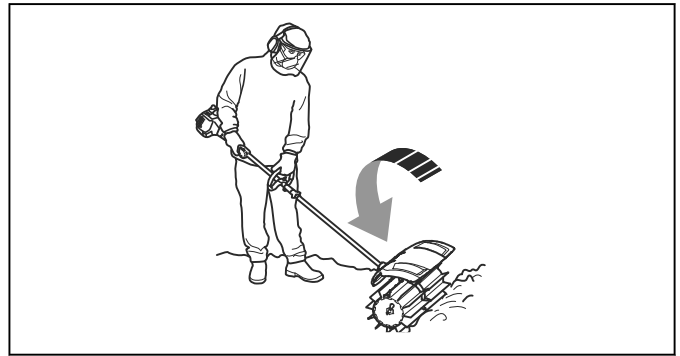
- Please read the operator's manual carefully and make sure you understand the instructions before using the attachment.
- These instructions supplement the instructions that were included with the product. For other procedures, please refer to the operating instructions for the product.
- Under no circumstances may the design of the attachment be modified without the permission of the manufacturer. Do not use an attachment that appears to have been modified by others and always use original accessories. Non-authorized modifications and/or accessories can result in serious personal injury or the death of the operator or others.

Safety instructions for operation



WARNING: Read the warning instructions that follow before you use the product.

- The stop switch automatically returns to the start position. Make sure to prevent unintentional starting when assembling, checking and/or performing maintenance. If you have a gasoline operated product, disconnect the spark plug cap from the spark plug. If you have a battery operated product, remove the battery.
 - Watch out for thrown objects. Always wear eye protection. Never bend over the brush drum. Stones, rubbish, etc. can be thrown up into the eyes causing blindness or serious injury.
 - The gear can get hot during use and may remain so for a while afterwards. You could get burnt if you touch it.
 - The brush drums can rotate when the sweeper is started. Hold the product securely when starting.
 - Although the brush drums do not have the same force as lawn mower blades, for example, you should avoid working with materials that can cause personal injury or damage to property if thrown out.
 - Do not use the product unless you are able to call for help in the event of an accident.
 - Only use the product for the purpose it was intended for.
 - Never use the product if you are tired, if you have drunk alcohol, or if you are taking medication that could affect your vision, your judgement or your co-ordination.
 - Never use the product in extreme weather conditions such as severe cold, very hot and/or humid climates.
 - Never use a product that is faulty. Carry out the safety checks, maintenance and service instructions described in this manual. Some maintenance and service measures must be carried out by trained and qualified specialists. See instructions under the Maintenance heading.
 - Never allow children to use the product.
 - Never allow anyone else to use the product without first ensuring that they have read and understood the contents of the operator's manual.
 - Keep unauthorised persons at a distance. Children, animals, onlookers and helpers should be kept outside the safety zone of 15 m while you work. Stop the product immediately if anyone approaches.
 - If you encounter a situation where you are uncertain how to proceed you should ask an expert. Contact your dealer or your service workshop.
 - Avoid all usage which you consider to be beyond your capability.
 - Listen out for warning signals or shouts when you are wearing hearing protection. Always remove your hearing protection as soon as the engine/motor stops.
- Observe your surroundings and make sure that there is no risk of people or animals coming in contact with or affect your control of the product.
 - Do not use the product in bad weather, such as dense fog, heavy rain, strong wind, intense cold, etc. Working in bad weather is tiring and often brings added risks, such as icy ground.
 - Make sure you can move and stand safely. Examine the area around you for possible obstacles (roots, rocks, branches, ditches, etc.) in case you have to move suddenly. Be very careful when you work on sloping ground.



- The engine/motor must be switched off before you move the product. If you have a gasoline operated product, disconnect the spark plug cap from the spark plug. If you have a battery operated product, remove the battery.
- Do not put the product down with the engine/motor running, unless you have it in clear sight.
- Always use both hands to hold the product. Hold the product at the side of your body.
- Make sure that your hands and feet do not come near the brush when the engine/motor is running.
- When the product is switched off, keep your hands and feet away from the brush until it has stopped completely.
- If heavy vibration occurs, stop the product. If you have a gasoline operated product, disconnect the HT lead from the spark plug. If you have a battery operated product, remove the battery. Examine if the product is damaged. Repair any damage.

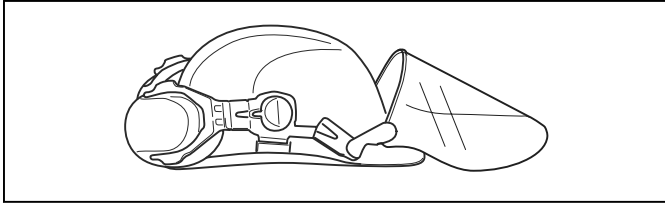
Personal protective equipment



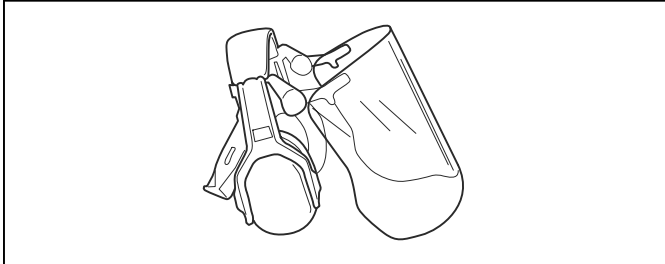
WARNING: Read the warning instructions that follow before you use the product.

- Always use approved personal protective equipment when you use the product. Personal protective equipment cannot fully prevent injury but it decreases the degree of injury if an accident does occur. Let your dealer help you select the right equipment.

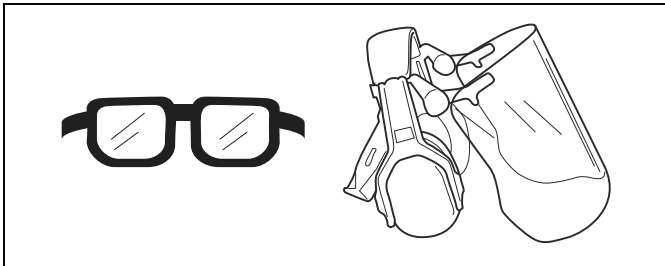
- Use a protective helmet where there is a risk of falling objects.



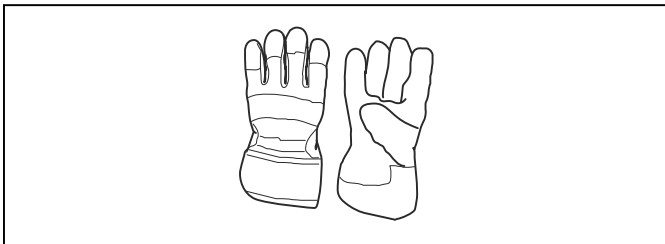
- Use approved hearing protection that provides adequate noise reduction. Long-term exposure to noise can result in permanent hearing impairment.



- Use approved eye protection. If you use a visor, you must also use approved protective goggles. Approved protective goggles must comply with the ANSI Z87.1 standard in the USAs or EN 166 in EU countries.



- Use gloves when necessary, for example when you attach, examine or clean the cutting equipment.



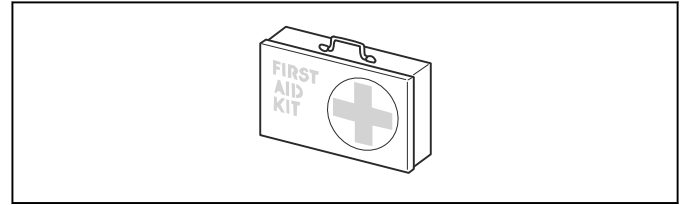
- Use protective boots with steel toes and non-slip soles.



- Use clothing made of a strong fabric. Always use heavy, long pants and long sleeves. Do not use loose clothing that can catch on twigs and branches. Do not wear jewelry, short pants, sandals or go with

bare feet. Put your hair up safely above shoulder level.

- Keep first aid equipment close at hand.



Safety devices on the product



WARNING: Read the warning instructions that follow before you use the product.

In this section the product's safety features, its purpose and how checks and maintenance should be carried out to ensure that it operates correctly. See instructions under the heading *Attachment overview on page 2* to find where these parts are located on your product.

The life span of the product can be reduced and the risk of accidents can increase if product maintenance is not carried out correctly and if service and/or repairs are not carried out professionally. If you need further information please contact your nearest servicing dealer.



WARNING: Never use a product with defective safety components. The product's safety equipment must be inspected and maintained as described in this section. If your product fails any of these checks, contact your service agent to get it repaired.



CAUTION: All servicing and repair work on the machine requires special training. This is especially true of the machine's safety equipment. If your machine fails any of the checks described below you must contact your service agent. When you buy any of our products we guarantee the availability of professional repairs and service. If the retailer who sells your machine is not a servicing dealer, ask him for the address of your nearest service agent.

Safety instructions for maintenance



WARNING: Read the warning instructions that follow before you do maintenance.

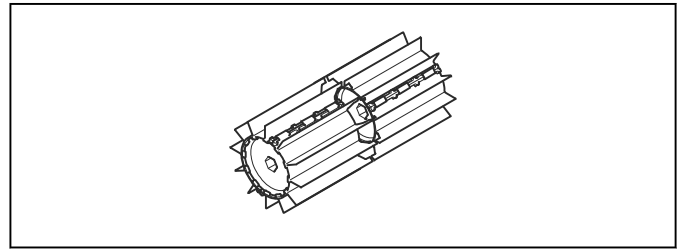


WARNING: Always stop the product before you do maintenance on the attachment. Be careful, the attachment can continue to move after the throttle/power trigger is released. Make sure that the attachment has stopped fully. If you have a gasoline operated product, disconnect the HT leads

from the spark plug. If you have a battery operated product, remove the battery.

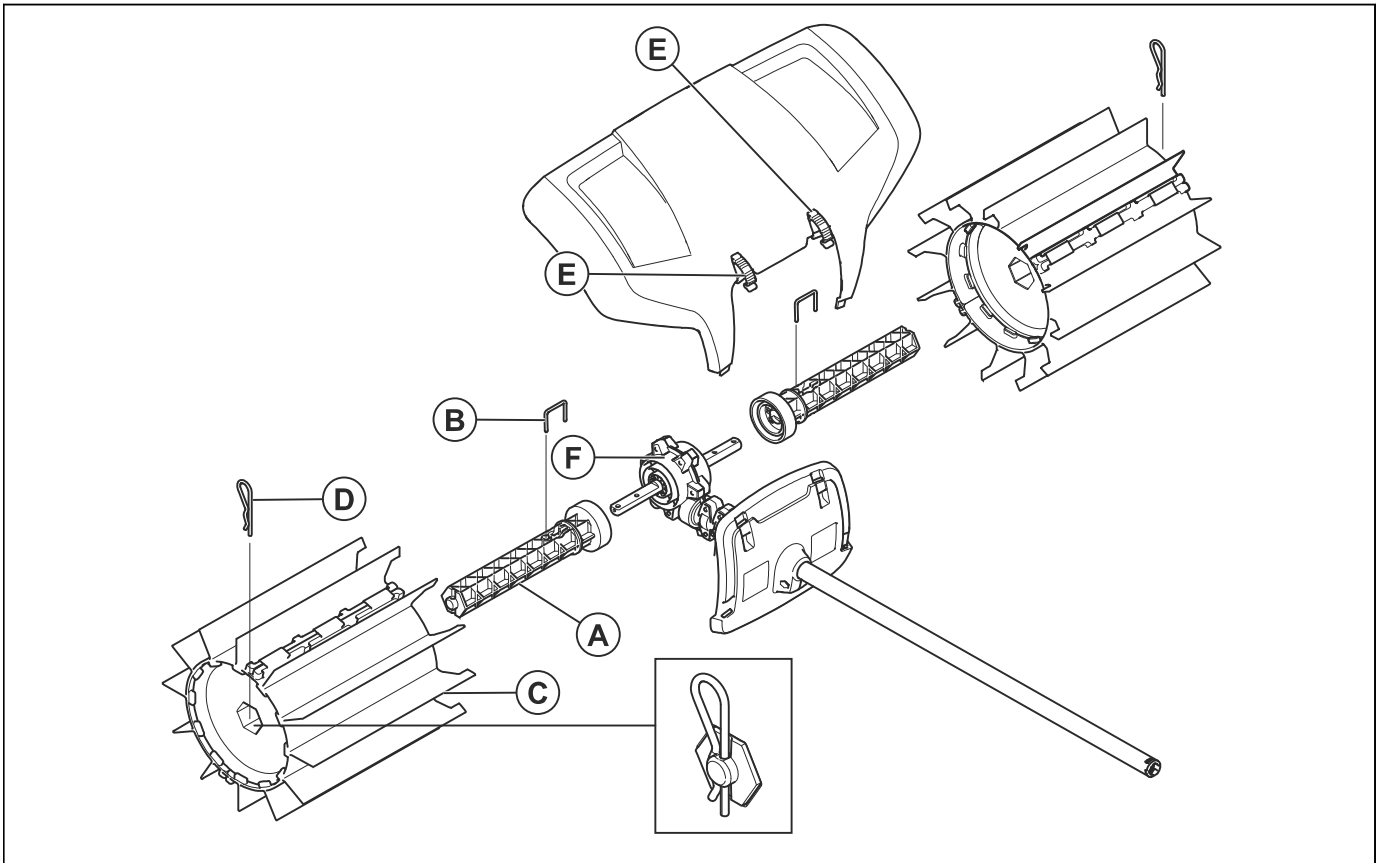
- Make sure that the brush drums are not damaged and show no signs of cracking or other damage.

- Check the entire product before starting. Replace damaged parts.
- Check that all guards and covers are complete and fastened securely. Check all nuts and screws.
- If you have a gasoline operated product, make sure that there are no fuel leaks.



Assembly

To assemble the attachment



1. Press one of the drum axles (A) onto one of the two outgoing drive shafts from the gear housing (F). Rotate the drum axle if necessary so that the pin hole comes over the corresponding hole in the drive shaft.
2. Fasten the roller shaft with locking pin (B).
3. Thread one of the brush drums (C) onto the fitted axle. The end with the extended rubber lamellas is assembled closest to the gear housing. Press in the brush drum.
4. Fasten the roller on the shaft with a cotter pin (D). Press in the end slightly when assembling.
5. Repeat these steps to assemble the axle and roller on the opposite side. The drums are identical but must be assembled with the extended rubber lamellas towards the gear housing.
6. Mount the splash guard with the snap-on fasteners (E).

Note: For assembling accessories on basic product, refer to manual for basic product.

Operation

To start the product with a cold engine

If you have a gasoline operated product, obey these instructions to start the product with a cold engine.

1. Run the basic product warm and then shut down the product.
2. Mount the attachment as per the assembly instructions.
3. When adjusting the carburetor, make sure that the brush drums are held against the ground and that no one else is in the vicinity.
4. Make sure the brush drums are idling.
5. Make sure that the handle and safety features are in good working order. Never use a product that lacks a part or has been modified outside its specifications.

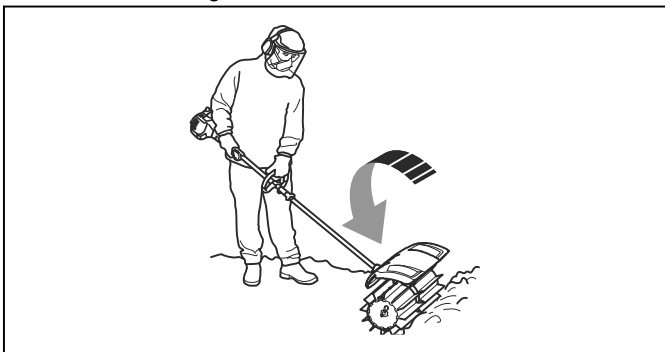
To use the attachment

The sweeper works best when the rubber lamellas can glide or 'stroke' the working surface. New or replaced brush drums tend to fasten or drag on hard surfaces and shall therefore be 'run in' thoroughly before use. This can be done easily by operating the product at full throttle/speed for 3-5 minutes in loose gravel or similar grinding material. After being run in, the sweeper will be able to move large amounts of material from snow or puddles to heavier objects such as gravel or wood chips. In time, you will learn how the sweeper works but you must observe safety precautions from the very beginning.

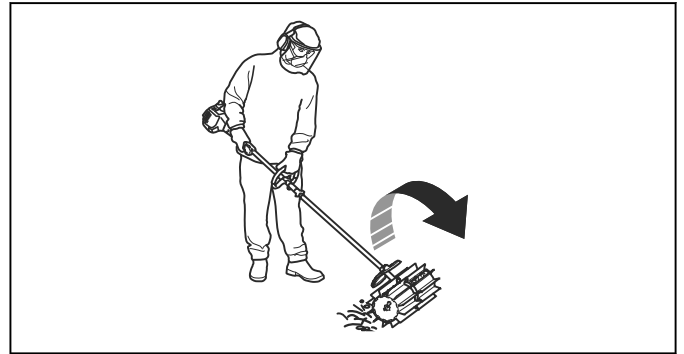
1. Run the sweeper at full (or nearly full) throttle/speed with the rubber lamellas resting on the surface.

Note: It is both tiresome and unnecessary to lift up or hold the rubber lamellas above the surface while working.

2. When clearing narrow surfaces such as paths, the product can be used so that it throws materials straight in front of you. If you want to work on wider surfaces, you may need to work at an angle so that strands form on one side. Strands comprising light materials can be collected into one row or pile for later removal while hard or more bulky materials may need collecting in several strands.



3. In order to get into corners, remove the splash guard and loosen the accessory coupling and rotate the accessory half a turn.



WARNING: Rubbish will then be thrown back towards the user. Use a lower speed when reversing the product and remember that it is easy to trip over materials that are thrown out.

4. Keep a small working angle to the surface. Too large a working angle means the sweeper tends to move towards you and you risk losing control of the product.



Maintenance

Introduction

Below you will find some general maintenance instructions. If you need further information please contact your service workshop.

To perform maintenance on the attachment



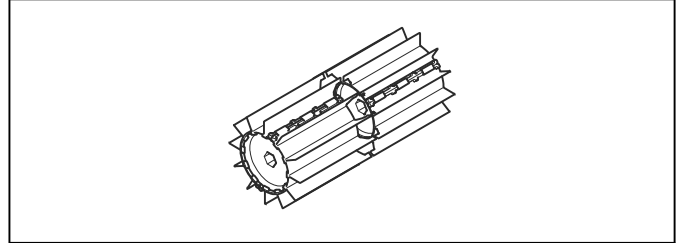
CAUTION: Working on the sweeper is often done in dusty conditions. If you have a gasoline operated product it is extremely important to take care of air filter maintenance regularly, often daily. The air filter must be oiled to work satisfactorily. Refer to the operator's manual of the power unit for maintenance instructions.



WARNING: The gear housing gets hot when the machine has been in use. To avoid

burning yourself do not touch the gear housing.

1. Make sure that the brush drums do not rotate when the throttle/power trigger is released.



2. Check that the brush drums are not damaged or cracked. Replace the brush drums if necessary.
3. Hang up the brush when in storage for long periods.

Transportation, storage and disposal

Transport and storage

If transporting the attachment on another vehicle always use approved securing devices and make sure that the attachment is securely held.

Ensure the attachment is cleaned and that a complete service is carried out before long-term storage.

Technical data

Technical data for gasoline operated products

Sweeper	
Brush drum width, mm	590
Weight	
Weight, kg	6.5
Noise emissions¹	
Sound power level, measured dB (A)	105
Sound power level, guaranteed L _{WA} dB (A)	109

¹ Noise emissions in the environment measured as sound power (L_{WA}) in conformity with EC directive 2000/14/ EC. Reported sound power level for the machine has been measured with the original cutting attachment that gives the highest level. The difference between guaranteed and measured sound power is that the guaranteed sound power also includes dispersion in the measurement result and the variations between different machines of the same model according to Directive 2000/14/ EC.

Sweeper	
Sound levels²	
Equivalent sound pressure level at the operator's ear, measured according to EN ISO 22868 , dB (A):	97
Vibrations³	
Equivalent vibration levels ($a_{hv,eq}$) at handles, measured according to , m/s ²	
Front/rear handles	4.4/5.1

Technical data for battery operated products

325iLK + Sweeper attachment SR600-2	
Brush drum width, mm	590
Weight	
Weight, kg	2.3+6.5
Noise emissions⁴	
Sound power level measured, dB (A)	93
Sound levels⁵	
Equivalent sound pressure level at the operator's ear, measured according to ISO 22868, dB (A):	82
Vibrations⁶	
Vibration levels at handles, measured according to EN 62841-1, m/s ²	
Front/rear handles	3.2/3.1

² Reported data for equivalent sound pressure level for the machine has a typical statistical dispersion (standard deviation) of 1 dB (A).

³ Reported data for equivalent vibration level has a typical statistical dispersion (standard deviation) of 1 m/s².

⁴ Reported data for sound power level for the machine has a typical statistical dispersion (standard deviation) of 3 dB (A) and has been measured with the original attachment that gives the highest level.

⁵ Reported data for sound pressure level for the machine has a typical statistical dispersion (standard deviation) of 3 dB (A) and has been measured with the original attachment that gives the highest level.

⁶ Reported data for vibration level has a typical statistical dispersion (standard deviation) of 2 m/s². For comparison of vibrations levels, battery and combustion products use vibration calculator. <https://www.husqvarna.com/uk/services-solutions/vibration-calculator/>.

EC Declaration of Conformity

EC Declaration of Conformity - for gasoline operated products

Husqvarna AB, SE-561 82 Huskvarna, Sweden, tel: +46-36-146500, declares that the sweeper, **Husqvarna SR600-2**, attachment with serial numbers dating from 2019 and onwards (the year is clearly stated on the rating plate, followed by the serial number), comply with the requirements of the COUNCIL'S DIRECTIVE:

- of May 17, 2006 "relating to machinery" **2006/42/EC**
- of June 8, 2011 "restriction of use of certain hazardous substances in electrical and electronic equipment" **2011/65/EU**
- of May 8, 2000 "relating to the noise emissions in the environment" **2000/14/EC**.

The following standards have been applied for Gasoline products:

SS-EN ISO 12100:2010, EN 50581:2012

Notified body, has carried out EC type examination in accordance with the machinery directive's (2006/42/EC) article 12, point 3b. The certificate for EC type examination in accordance with annex IV, have the number: **SEC/15/2413 - Husqvarna SR600-2**

Huskvarna , 2019-06-24



Per Gustafsson, Development Manager (Authorized representative for Husqvarna AB and responsible for technical documentation)

EC Declaration of Conformity - for battery operated products

Husqvarna AB, SE-561 82 Huskvarna, Sweden, tel: +46-36-146500, declares that the sweeper, **Husqvarna SR600-2 attachment with power unit Husqvarna 325iLK** with serial numbers dating from 2019 and onwards (the year is clearly stated on the rating plate, followed by the serial number), comply with the requirements of the COUNCIL'S DIRECTIVE:

- of May 17, 2006 "relating to machinery" **2006/42/EC**
- of June 8, 2011 "restriction of use of certain hazardous substances in electrical and electronic equipment" **2011/65/EU**

The following standards have been applied for Battery products:

EN 62841-1:2015, EN 50581:2012

RISE SMP Svenska Maskinprovning AB, Box 7035, SE-750 07 Uppsala, Sweden has performed voluntary type examination on behalf of Husqvarna AB. The certificate is numbered: **SEC/15/2413 - Husqvarna SR600-2**

Huskvarna , 2019-06-24



Per Gustafsson, Development Manager (Authorized representative for Husqvarna AB and responsible for technical documentation)