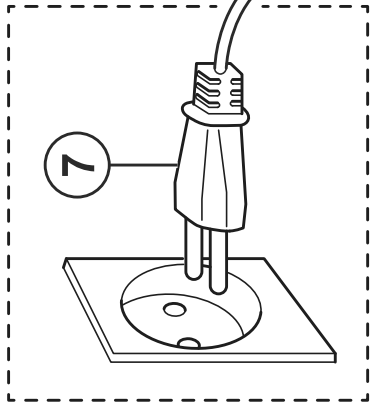


Husqvarna®

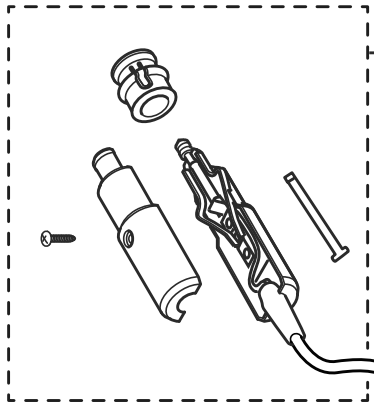


EN	Operator's manual	3-10	LV	Lietošanas pamācība	135-142
BG	Ръководство за експлоатация	11-19	MS	Panduan Penggunaan	143-150
CS	Návod k použití	20-27	NL	Gebruiksaanwijzing	151-158
DA	Brugsanvisning	28-35	NO	Bruksanvisning	159-165
DE	Bedienungsanweisung	36-44	PL	Instrukcja obsługi	166-174
EL	Οδηγίες χρήσης	45-53	PT	Manual do utilizador	175-183
ES	Manual de usuario	54-62	RO	Instrucțiuni de utilizare	184-191
ET	Kasutusjuhend	63-70	RU	Руководство по эксплуатации	192-200
FI	Käyttöohje	71-77	SK	Návod na obsluhu	201-208
FR	Manuel d'utilisation	78-86	SL	Navodila za uporabo	209-216
HR	Priručnik za korištenje	87-94	SR	Priručnik za rukovaoca	217-224
HU	Használati utasítás	95-103	SV	Bruksanvisning	225-232
IT	Manuale dell'operatore	104-111	TR	Kullanım kılavuzu	233-240
JA	取扱説明書	112-119	UK	Посібник користувача	241-249
KO	사용자 설명서	120-126	VI	Sách hướng dẫn sử dụng	250-256
LT	Operatoriaus vadovas	127-134	ZH	操作手册	257-262

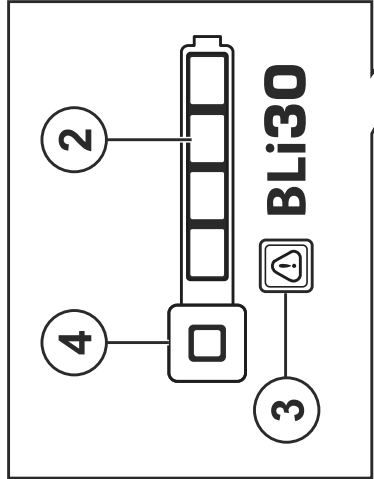
QC80



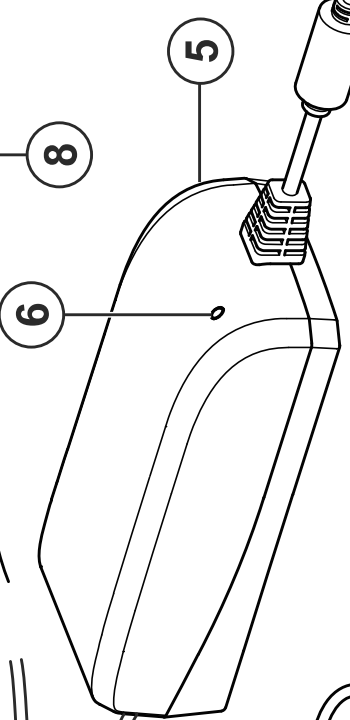
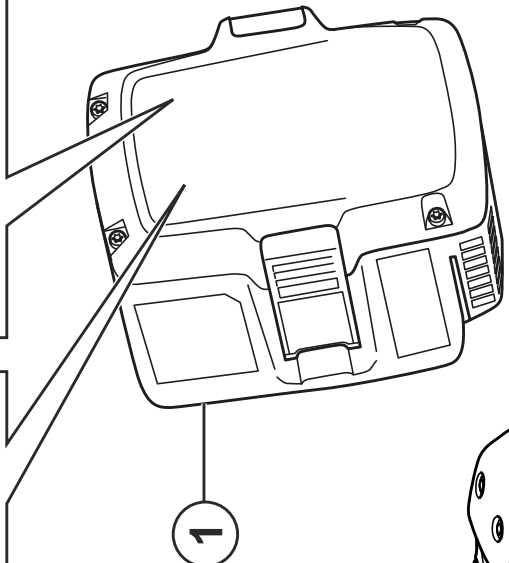
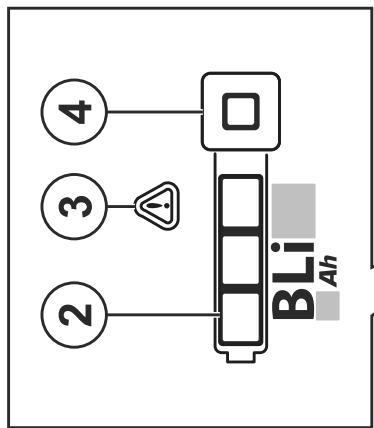
QC80F



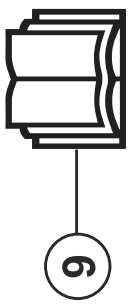
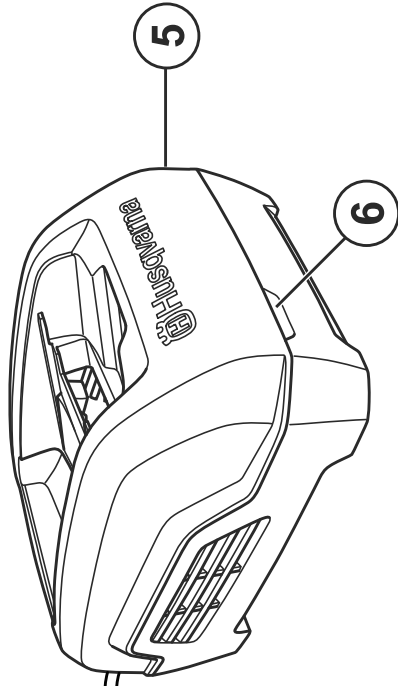
BLi30



BLi10/BLi20



QC250



PRODUCT OVERVIEW

(Fig. 1)

1. Battery
2. LED indicator for the state of charge
3. Warning LED
4. Battery indicator button
5. Battery charger
6. Charging LED
7. Power plug
8. 12 V power outlet plug
9. Operator's manual

SYMBOLS ON THE PRODUCT



Be careful and use the product correctly.
This product can cause serious injury or death to the operator or others.



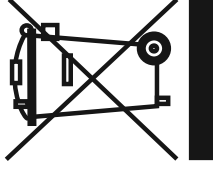
Read the operator's manual carefully and make sure that you understand the instructions before use.



The product agrees with the applicable EC directives.



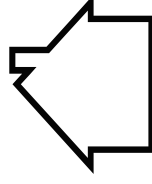
This product conforms to applicable UK regulations.



The product or package of the product is not domestic waste. Recycle it at an applicable disposal location for electrical and electronic equipment.



Keep the unit away from water and rain.



Use and keep the battery charger indoors only.

Note: Other symbols/decals on the product refer to certification requirements for some commercial areas.

SAFETY DEFINITIONS

Warnings, cautions and notes are used to point out specially important parts of the manual.



WARNING: Used if there is a risk of injury or death for the operator or bystanders if the instructions in the manual are not obeyed.



CAUTION: Used if there is a risk of damage to the

product, other materials or the adjacent area if the instructions in the manual are not obeyed.

Note: Used to give more information that is necessary in a given situation.

IMPORTANT SAFETY INSTRUCTIONS



WARNING: Read all safety warnings and all instructions. Failure to

obey the warnings and instructions may result in electrical shock, fire and/or serious injury.

Note: Save all warnings and instructions.

- Only use the battery chargers QC80, QC80F or QC250 to charge Husqvarna original batteries. The batteries are software encrypted.
- Do not use non-rechargeable batteries.

- Do not try to disassemble or repair the battery charger.
- Do not connect the battery charger terminals to metal objects.
- Use an approved grounded mains socket that is not damaged.
- Regularly examine that the power cord is not damaged. Immediately disconnect the battery charger if the power cord is damaged.
- If the power cord is damaged, let an approved service agent replace the power cord.

- Do not lift the battery charger by the power cord. To disconnect the battery charger from a mains socket or a 12 V power outlet, pull out the power plug. Do not pull the power cord.
- Keep all cables and extension leads away from water, oil and sharp edges. Make sure that the power cord is not caught between doors, fences or equivalent.
- Do not clean the battery or the battery charger with water.
- Keep the battery charger away from children.
- Do not use a defective or damaged battery charger or battery.
- Do not use the battery charger when there is a risk of lightning.
- Only use the battery charger indoors in an environment with good airflow and the correct temperature.
- Keep the battery charger away from sunlight. Do not use the battery charger outdoors or in wet conditions.
- Do not operate the battery charger with wet hands.

- Do not use the battery charger near flammable materials or materials that can cause corrosion. Pull out the power plug to the battery charger if there is smoke or fire.
 - Do not put a cover on the battery charger during operation.
 - Use QC80 and QC250 to charge the battery in a mains socket. Use QC80F to charge the battery in a 12 V power outlet in a vehicle.
 - Disconnect the battery charger from the mains socket or the 12 V power outlet after use.
- Do not keep the battery charger connected.
- This appliance can be used by children aged from 8 years and above and persons with reduced physical, sensory or mental capabilities or lack of experience and knowledge if they have been given supervision or instruction concerning use of the appliance in a safe way and understand the hazards involved. Children shall not play with the appliance. Cleaning and user maintenance shall not be made by children without supervision.

OPERATION

- Use the battery charger only when the ambient temperature is between 5 °C (41 °F) and 40 °C (104 °F).

To charge the battery



CAUTION: Make sure that the battery, the battery charger and the terminals on the battery are clean and dry. Do not put the battery in the battery charger if it is dirty or wet.

CAUTION: Only connect the battery charger to a power outlet with the voltage and frequency specified on the rating plate.

2. Connect the battery to the battery charger. The charging LED comes on.
3. Remove the battery from the battery charger when it is fully charged. Push the battery indicator button for battery status. When all the LED indicators come on, the battery is fully charged.
4. Pull the power plug to disconnect the battery charger from the power outlet. Do not pull the power cord.

1. Connect the battery charger to a power outlet. The charging LED flashes 1 time.

TROUBLESHOOTING

Condition	Possible faults	Possible action
The charging LED is red.	Permanent battery charger error.	Speak to your dealer.

Condition	Possible faults	Possible action
The charging LED flashes red (QC80 and QC80F).	Temperature deviation, the battery is too cold or too hot to use or charge.	Let the battery cool down or warm it up. When the battery has the correct temperature, it can be used or charged again. Use the battery charger in ambient temperatures between 5 °C (41 °F) and 40 °C (104 °F).
The charging LED flashes green (QC250)		
The charging LED flashes red (QC250).	Faulty battery	Speak to your dealer
Battery charger does not operate and charging LED is off (QC80F).	Blown fuse.	Replace the blown fuse in the 12 V power plug. Remove the screw, open the power plug and change the fuse.

TRANSPORTATION AND STORAGE

- Safely attach the product during transportation to prevent damage and accidents.
- Keep the product in a locked area to prevent access for children or persons that are not approved.
- Put the product in a dry, frost-free and clean space with correct temperature.
- Put the product in storage where the temperature is between 5 °C (41 °F) and 25 °C (77 °F). Keep the product away from sunlight.

- Keep the battery away from the battery charger during storage.

DISPOSAL

- Husqvarna products are not domestic waste and must only be discarded as given in this manual.
- Obey the local disposal requirements and applicable regulations.
 - Recycle the battery charger and package at an applicable disposal location.

- Speak to your local Husqvarna dealer for more information on how to recycle and discard the battery.

TECHNICAL DATA

For technical data, refer to the rating plate of the battery charger.