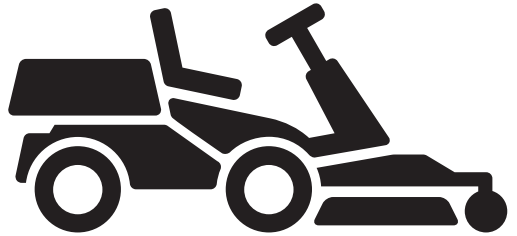




# Husqvarna®



## R 200iX

EN	Operator's manual	2-40
ES	Manual de usuario	41-81
PT	Manual do utilizador	82-122
IT	Manuale dell'operatore	123-162

---

## Contents

---

Introduction.....	2	Transportation, storage and disposal.....	33
Safety.....	7	Technical data.....	35
Assembly.....	12	Service.....	37
Operation.....	13	Declaration of Conformity.....	38
Maintenance.....	21	Registered trademarks.....	40
Troubleshooting.....	27		

---

## Introduction

---

### Pre-delivery inspection and product numbers

---

**Note:** A pre-delivery inspection has been done of this product. Make sure that you receive a signed copy of the pre-delivery inspection document from your dealer.

---

Service agent contact information:	
This operator's manual belongs to product with product number / serial number:	
/	
Motor:	

### Product description

The product is a ride-on lawn mower. Forward and reverse pedals let the operator adjust the speed steplessly. The product is used with a 2-in-1 cutting deck with mulch plug.

### Intended use

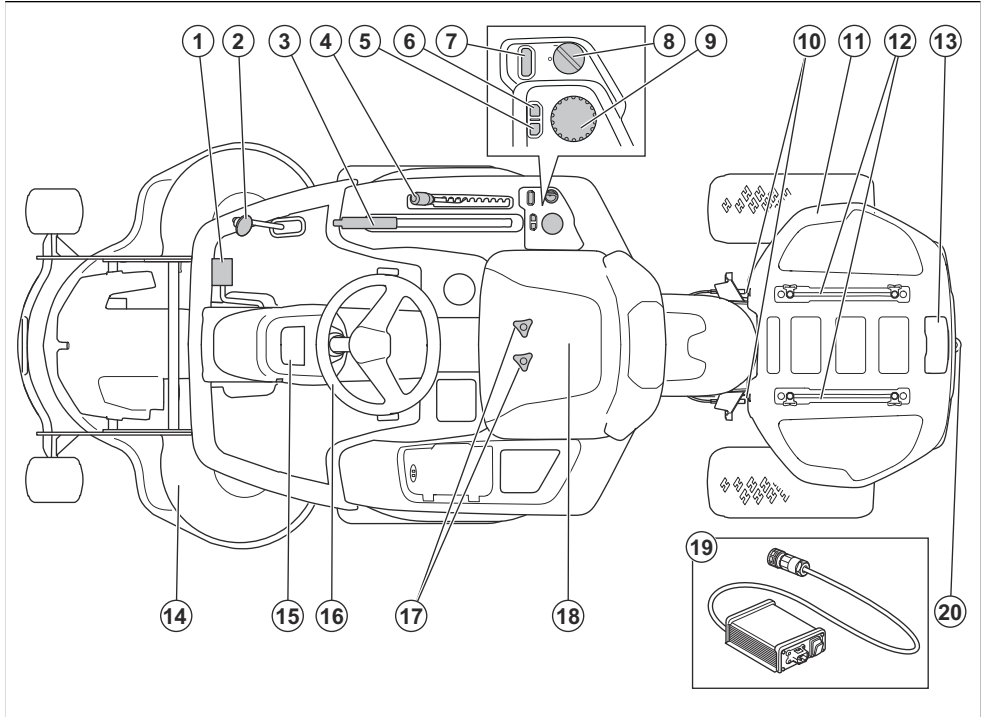
The product is made to cut grass on open and level ground in residential areas and gardens. Attach an

optional accessory to use the product for other tasks. Speak to your Husqvarna dealer for more information about which accessories that are available.

### Insure your product

Make sure that you have insurance coverage for your new product. Speak to your insurance company if you are not sure. We recommend a fully comprehensive insurance that includes third party, fire, damage, theft and liability.

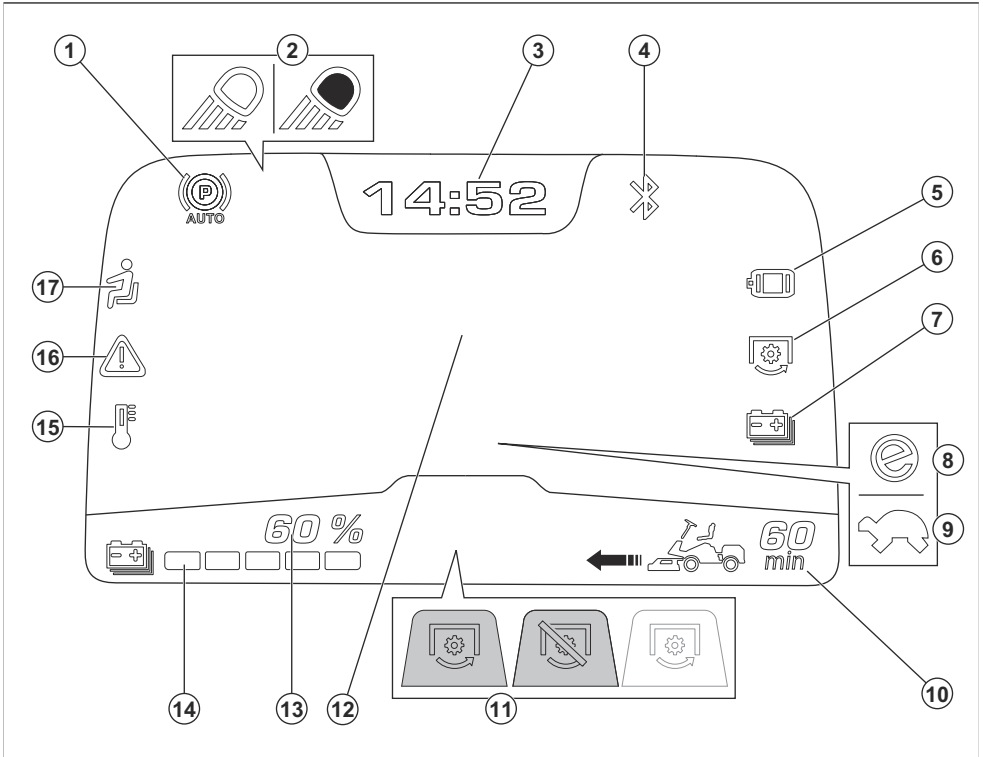
## Product overview



- |                                    |                                    |
|------------------------------------|------------------------------------|
| 1. Forward pedal                   | 11. Battery cover                  |
| 2. Rearward pedal                  | 12. Rails                          |
| 3. Lift lever for the cutting deck | 13. Socket for the battery charger |
| 4. Cutting height lever            | 14. Cutting deck                   |
| 5. Button to go back in the menu   | 15. Display                        |
| 6. Drive mode button               | 16. Steering wheel                 |
| 7. Start button                    | 17. Seat adjustment                |
| 8. Power switch                    | 18. Seat                           |
| 9. Jog wheel                       | 19. Battery charger                |
| 10. Lock for the battery cover     | 20. Tow bar                        |

## Display overview

The display shows information about the condition of the product. There are 4 types of messages on the display, refer to *Message types on page 4*.



1. Automatic parking brake indicator. The indicator comes on when the automatic parking brake is engaged.
2. Work light or headlight indicator
3. Clock
4. Bluetooth® indicator. The indicator comes on when a Bluetooth® device is connected to the product.
5. Indicator for the drive motor / the drive motor controller
6. Indicator for the cutting deck motor / the controller for the cutting deck motor
7. Battery indicator
8. Drive mode indicator. SavE drive mode is on. Refer to *To select a drive mode on page 20*.
9. Drive mode indicator. Decreased performance mode is on. Refer to *Display indicator messages on page 29*.
10. Battery level, in minutes of operation time

11. e-PTO (electrical Power Take-Off)<sup>1</sup> indicator. Mowing position and engaged / Mowing position and disengaged / Transport position and disengaged.
12. The center of the display. Refer to *Display modes on page 5*.
13. Battery level indicator, %
14. Battery level indicator
15. Temperature indicator. If the temperature indicator on the display comes on, stop the product and refer to *Display - Troubleshooting on page 29*.
16. Warning indicator. If the warning indicator on the display comes on, stop the product and refer to *Display - Troubleshooting on page 29*.
17. Operator presence control (OPC). The indicator comes on when the operator is not seated.

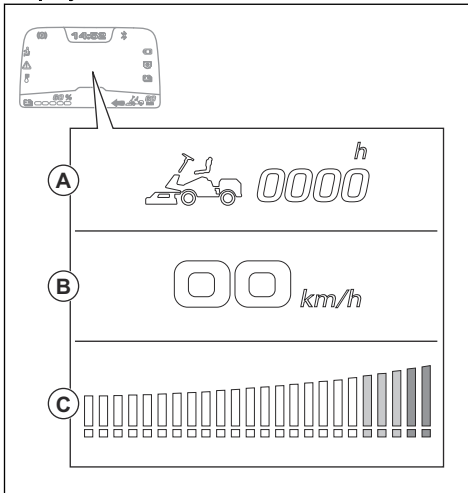
### Message types

There are 4 types of messages that can show on the display.

<sup>1</sup> Electrically powered cutting deck or other front attached accessory

Message type	Description
Display indicator message	Indicator symbols on the display show an engaged function or information about the condition of the product. When there is a display indicator message, the product can usually operate but there are recommended actions. Refer to <i>Display overview on page 4</i> and <i>Display indicator messages on page 29</i> .
Warning message	A combination of yellow symbols that first show as large symbols in the center of the display. Shows a condition that is not correct. When there is a warning message, the product can usually operate but it is slower than usual. Refer to <i>Warning messages on the display on page 30</i> .
Error message	A combination of red symbols that first show as large symbols in the center of the display. Shows a safety warning or a problem with the product. When there is an error, the product is usually set to idle mode and cannot start until the error is gone. Refer to <i>Error messages on the display on page 31</i> .
Start prevented	One large symbol on the display that shows a condition that prevents a start of the product. Refer to <i>Messages when start is prevented on page 31</i> .

## Display modes

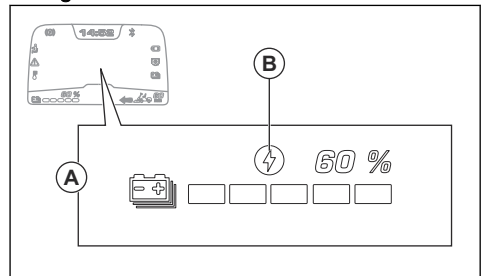


The center of the display shows different information in the different display modes.

- The idle mode (A) shows when the power switch is set to the "1" position. In idle mode, the display shows the total operation time.
- The drive mode with cutting deck in transport position (B) shows when the product is started. In the drive mode with cutting deck in transport position, the display shows the current speed, in km/h.
- The drive mode with cutting deck in mow position (C) shows when the cutting deck or other accessory is on. When only green indicators are on, the power consumption of the cutting deck or accessory is as recommended. If yellow or red indicators are on,

the power consumption is higher than recommended and the operation time decreases.

## Charge view



When a charger is connected to the product, and the power switch is set to the "1" position, the center of the display shows the charge view.

- (A): The charge view shows the state of charge in %.
- The charge symbol (B) comes on when the product charges. The charge symbol (B) goes off when the charger is connected but does not charge.

## Start prevented

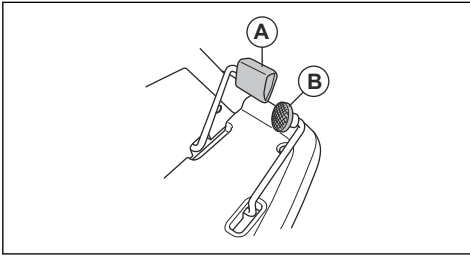
Before the product can start, the operation conditions must be obeyed. Refer to *To start the product on page 19*. If the start button is pushed when operation conditions are not obeyed, the display shows a symbol for start prevented. Refer to *Messages when start is prevented on page 31*.

## Operator presence control (OPC)

The OPC sets the product in safe mode when the operator lifts from the seat. The motor stop and the cutting deck motors stop if the blades are engaged. Refer to *To do a check of the operation conditions on page 11*.

## Forward and rearward pedals

The speed is gradually adjusted with 2 pedals. The left pedal (A) is used to move forward, and the right pedal (B) is used to move rearward. The product stops when the pedals are released.



## Cutting deck

The cutting decks for this product are Combi cutting decks with BioClip. BioClip cuts the grass into fertilizer. The Combi cutting decks can also be used without BioClip. Without BioClip the grass is ejected to the rear.

## Husqvarna Connect

The product has *Bluetooth®* wireless technology and can connect to mobile devices that have the Husqvarna Connect app installed. The Husqvarna Connect app is a free app for your mobile device. The Husqvarna Connect app gives extended functions for your Husqvarna product:

- Lock and unlock function to prevent not approved operation of the product.
- Extended product information.
- Information about, and help with, product parts and servicing.

## Symbols on the product



**WARNING:** This product can be dangerous and cause serious injury or death to the operator or others. Be careful and use the product correctly.



Read the operator's manual carefully and make sure that you understand the instructions before you use this product.



Keep body parts away from rotating blades.



Keep body parts away from rotating parts.



Look out for ejecting objects and ricochets.



Keep bystanders away.



Stop the product before maintenance.



MAX. XXXN / (XXkg)

Max. permitted vertical force on the towbar is specified in *Technical data on page 35* and on the label.



MAX. XXXN / (XXkg)

Max. permitted horizontal force on the towbar is specified in *Technical data on page 35* and on the label.



Look behind you before and while you move the product in reverse.



Do not cut grass across a slope. Do not cut grass on ground that slopes more than 10°. Refer to *To cut grass on slopes on page 10*.



Never carry passengers on the product or equipment.



Automatic parking brake.



Move forward.



Neutral gear.



Move rearward.



Seat switch.



Start drive mode.



The product agrees with the applicable EU directives.



This product conforms to the applicable UK regulations.



Noise emission to the environment label as per EU and UK directives and regulations, and New South Wales legislation "Protection of the Environment Operations (Noise Control) Regulation 2017". The guaranteed sound power level of the product is specified in *Technical data on page 35* and on the label.



Always use approved hearing protection.



Servicing position for the cutting deck.



Operation position for the cutting deck.



Cutting height.



Servicing position for the cutting height lever.



The blades are disengaged.



The blades are engaged.



Engage the electric parking brake system.



Disengage the electric parking brake system.



**Environmental mark.** The product or package of the product is not domestic waste. Recycle it at a recycling station for electrical and electronic equipment.



Scannable code

yyyywwxxxx

The rating plate shows serial number. **yyyy** is the production year and **ww** is the production week.

**Note:** Other symbols/decals on the product refer to certification requirements for some commercial areas.

## Product liability

As referred to in the product liability laws, we are not liable for damages that our product causes if:

- the product is incorrectly repaired.
- the product is repaired with parts that are not from the manufacturer or not approved by the manufacturer.
- the product has an accessory that is not from the manufacturer or not approved by the manufacturer.
- the product is not repaired at an approved service center or by an approved authority.

## Safety

### Safety definitions

Warnings, cautions and notes are used to point out specially important parts of the manual.



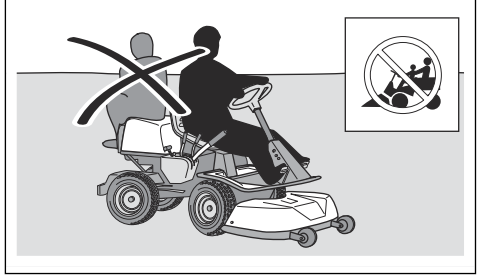
**WARNING:** Used if there is a risk of injury or death for the operator or bystanders

if the instructions in the manual are not obeyed.



**CAUTION:** Used if there is a risk of damage to the product, other materials or the adjacent area if the instructions in the manual are not obeyed.

- Do not transport passengers. The product must only be used by one person.



- Do not let the product stay unsupervised with the power on. Always stop the blades, make sure that the parking brake is engaged, stop the motor and remove the key to the power switch before you let the product stay unsupervised.
- Only use the product in daylight or in other well-lit conditions. Keep the product at a safe distance from holes or other irregularities in the ground. Look out for other possible risks.
- Do not use the product in bad weather, for example in fog, in rain, moist or in wet locations, strong winds, intense cold, risk of lightning, etc.
- Find and mark stones and other fixed objects to prevent collision.
- Clear the area of objects such as stones, toys, wires, etc. that may become caught in the blades and be thrown out.

**Note:** Used to give more information that is necessary in a given situation.

## General safety instructions



**WARNING:** This product can cut off hands and feet and throw objects. Serious injury or death may occur if you do not obey the safety instructions.



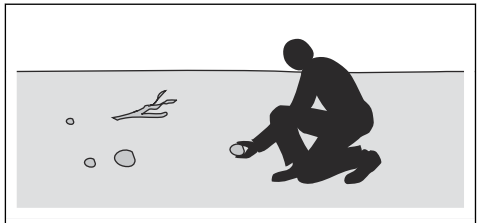
**WARNING:** Do not continue to use a product with damaged cutting equipment. Damaged cutting equipment can throw objects and cause serious injury or death. Replace damaged blades immediately.



**WARNING:** This product produces an electromagnetic field during operation. This field may under some circumstances interfere with active or passive medical implants. To reduce the risk of serious or fatal injury we recommend persons with medical implants to consult their physician and the medical implant manufacturer before operating this product.



**WARNING:** Read the warning instructions that follow before you use the product.



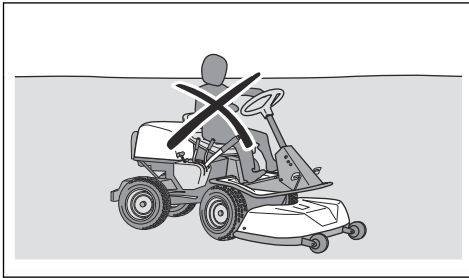
- Always be careful and use your common sense. Avoid all situations which you consider to be beyond your capability. If you feel uncertainty about the operating procedures after you read the operator's manual, consult an expert before you continue.
- Read and understand the operator's manual and the instructions on the product carefully before you start the product.
- Learn how to use the product and its controls safely and learn how to stop the product quickly.
- Learn to recognize the safety decals.
- Keep the product clean to make sure that you can clearly read signs and stickers.
- Keep in mind that the operator will be held responsible for accidents that involve other persons or their property.
- Do not let children or other persons not approved for operation of the product to use or do servicing on it. Local laws may regulate the age of the user.
- Make sure that nobody else is in the vicinity of the product when you start the motor, engage the drive or start to move the product.
- Keep an eye on the traffic when you mow near a road or move across a road.
- Do not use the product if you are fatigued, while under the influence of alcohol or drugs, medicine or anything that can have a negative effect on your vision, alertness, coordination or judgement.
- Always park the product on a level surface with the power off.

## Safety instructions regarding children



**WARNING:** Read the warning instructions that follow before you use the product.

- Serious accidents can occur if you are not on your guard for children in the vicinity of the product. Children can be attracted to the product and to mowing. It is very possible that children do not stay where you last saw them.
- Keep children away from the area to be mowed. Make sure that an adult is responsible for the children.
- Keep an eye out and stop the product if children enter the work area. Be very careful near corners, bushes, trees or other objects that prevents a clear view.
- Before and while you move the product in reverse, look behind you and look down to make sure there are no small children in the vicinity of the product.
- Do not let children ride along. They can fall off and get seriously injured or prevent safe maneuvering of the product.
- Do not let children operate the product.



## Battery safety



**WARNING:** Read the warning instructions that follow before you use the product.

### General:

- Read all safety warnings and all instructions. Failure to follow the warnings and instructions may result in electric shock and fire and/or serious injury.
- The product can be equipped with an additional battery. Entrust installation and repairs to your authorized servicing dealer only. Never attempt to install or repair the batteries.
- Regularly check that the batteries are intact. Damaged or modified batteries may exhibit unpredictable behavior resulting in fire, explosion or risk of injury. Never repair or open damaged batteries.

- A damaged battery can cause an explosion and cause injury. If the battery has a deformation or is damaged, do not use the product and speak to an approved Husqvarna service agent.
- Do not dismantle, open or shred batteries.
- Do not subject batteries to mechanical shock.
- Do not expose cells or batteries to heat or fire. Avoid storage in direct sunlight.
- Do not short circuit batteries. Do not keep batteries in storage where they can short circuit each other or be short circuited by other metal objects.
- Do not allow battery content to come in contact with the skin or eyes. If contact has been made, wash the affected area with copious amounts of water and seek medical advice.
- Do not use any battery which is not designed for use with the equipment.
- Do not mix cells of different manufacture, capacity, size or type within a device.
- Keep cells or batteries out of the reach of children.
- Keep the battery clean and dry.
- Use only the battery in the application for which it was intended.

### 48 V batteries:

- The Husqvarna 48 V batteries are exclusively used as power supply for the Husqvarna battery ride-on products. To avoid injury, the battery must not be used as a power source for other devices.
- Never use batteries or appliances that is faulty, modified or damaged.
- Never attempt to modify or repair the appliances or the batteries. Entrust all repairs to your authorized servicing dealer only.

## Safety instructions for operation



**WARNING:** Read the warning instructions that follow before you use the product.

- Always look down and behind you before and while you move in reverse. Look out for large and small obstacles.
- Decrease the speed before you turn around a corner.
- Stop the blades when you move across areas that you do not cut.



**CAUTION:** Read the caution instructions that follow before you use the product.

- Move around stones and other larger objects carefully and make sure that the blades do not hit the objects.
- Do not operate the product across objects. Stop and examine the product and cutting deck if you

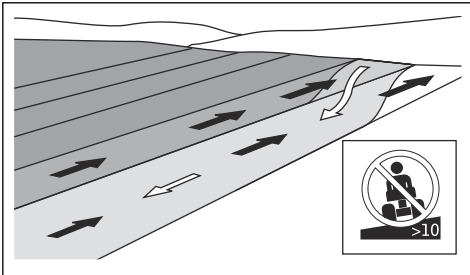
operate the product across or into an object. If it is necessary, make repairs before you restart.

## To cut grass on slopes

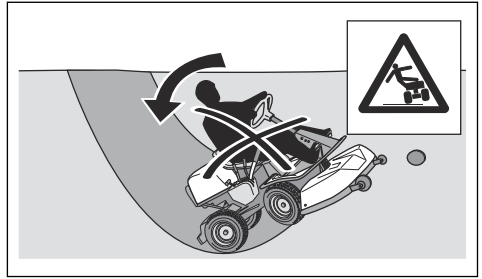


**WARNING:** Read the warning instructions that follow before you use the product.

- To cut grass on slopes increases the risk that you can not control the product and that it overturns. This can cause injury or death. It is necessary to cut the grass carefully on all slopes. If you cannot reverse up a slope or if you do not feel safe, do not cut it.
- Remove stones, branches and other obstacles.
- Cut up and down the slope, not from side to side.
- Do not move down a slope with the cutting deck lifted.
- Do not operate the product on ground that slopes more than 10°.



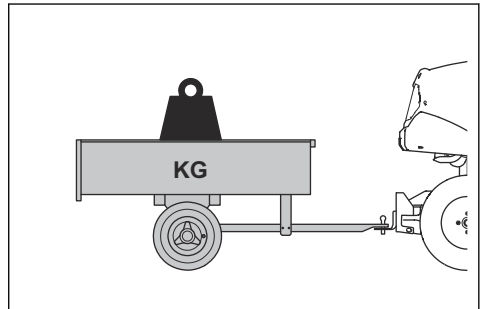
- Do not start or stop on a slope.
- Do not use the forward pedal and the rearward pedal to stay in a slope. This will make the system too hot.
- Move smoothly and slowly on slopes.
- Do not make sudden changes in speed or direction.
- Do not turn more than necessary. Turn slowly and gradually when you move down a slope. Move at low speed. Turn the wheel carefully.
- Look out for and do not move across furrows, holes and bumps. There is a higher risk that the product overturns on ground that is not flat. Long grass can hide obstacles.
- Do not cut grass near edges, ditches or banks. The product can suddenly overturn if a wheel moves across the edge of a steep slope or a ditch, or if an edge gives way. If the product falls into water, there is a risk of drowning.



- Do not mow wet grass. It is slippery, and tires can lose their grip so that the product skids.
- Do not put your foot on the ground to try to make the product more stable.
- Move very carefully if an accessory or other object is attached that can make the product less stable.

## Tow safety

- Only use tow equipment approved by Husqvarna.
- Use the tow bar to attach the equipment.
- Do not tow equipment that is heavier than the maximum permitted tow equipment weight. Refer to *Technical data on page 35*.



- Make sure that no other persons are near the product when you tow equipment.
- Be careful when you tow equipment on slopes or rough ground.
- Operate the product at low speed when you tow equipment.

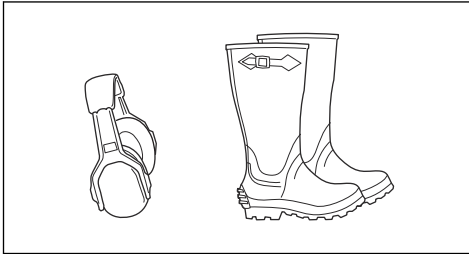
## Personal protective equipment



**WARNING:** Read the warning instructions that follow before you use the product.

- Use approved personal protective equipment when you use the product. Personal protective equipment cannot fully prevent injury but it decreases the degree of injury if an accident does occur. Let your dealer help you select the right equipment.

- Use approved hearing protection. Long-term exposure to noise can result in permanent hearing impairment.
- Use heavy-duty slip-resistant boots or shoes. Steel toes are recommended. Do not use open shoes or go with bare feet.



- Use protective gloves when necessary, for example when you attach, examine or clean the cutting equipment.
- Do not wear loose-fitting clothing, jewelry or other items that can get caught in moving parts.
- Keep first aid equipment and fire extinguisher near.

### Safety devices on the product



**WARNING:** Read the warning instructions that follow before you use the product.

- Do not use a product with safety devices that are damaged or do not operate correctly.
- Do not remove or do modifications to safety devices.
- Do a check of the safety devices regularly. If the safety devices are damaged or do not operate correctly, speak to your Husqvarna service agent.

### To do a check of the power switch

- Disconnect the battery charge cable.
- Set the power switch to the "1" position. Make sure that the display comes on.
- Set the power switch to the "0" position. Make sure that the product stops immediately and that the display goes off.

### To do a check of the operation conditions

Do a check of the operation conditions daily.

1. Make sure that you cannot start drive mode when the cutting deck is in the mow position.
2. Make sure that you cannot start drive mode when you push the pedals.
3. Make sure that you cannot start drive mode when you are lifted from the seat.
4. Make sure that you cannot start drive mode when the charger is connected to the product.

5. Make sure that you cannot start drive mode when the electric parking brake system is disengaged.
6. Make sure that the product stops when the cutting deck motors are engaged and you lift from the seat.

### To do a check of the forward pedal and rearward pedal

1. Start the product and set drive mode to on.
2. Make sure that the forward pedal and rearward pedal are not blocked and can be operated freely.
3. Push the forward pedal carefully to move forward.
4. Release the forward pedal to brake. Make sure that the brake engages when the forward pedal is released.

**Note:** The product has an automatic brake that engages when you release the pedals. For more brake power when you decrease the speed, push the other pedal.

5. Do the same procedure for the rearward pedal.
6. Make sure that the product does not move when the forward and rearward pedals are not engaged.

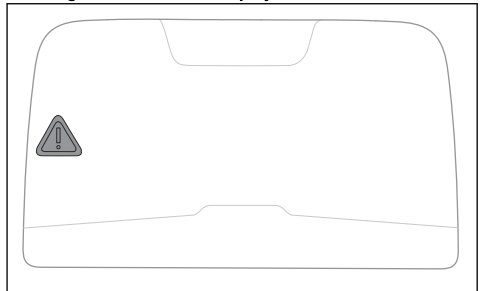
### Parking brake



**WARNING:** If the parking brake does not work, the product can start to move and cause injury or damage. Make sure that the parking brake is regularly examined and adjusted.

Refer to *To do a check of the parking brake on page 23*.

### Warning indicator on the display



**CAUTION:** If the warning indicator on the display comes on, stop the product and refer to *Display - Troubleshooting on page 29*.

### Protective covers

Missing or damaged protective covers increase the risk of injury on moving parts and hot surfaces. Do

a check of the protective covers before you operate the product. Make sure that the protective covers are correctly attached and do not have cracks or other damages. Replace damaged covers.

## Safety instructions for maintenance



**WARNING:** The product is heavy and can cause injury or damage to property or the adjacent area. Do not do maintenance on the product and cutting deck without these conditions:

- The power switch is set to the "0" position and the key to the power switch is removed.
- The product is parked on a level surface.
- The parking brake is engaged.
- The cutting deck is disengaged.
- The cable to the battery charger is disconnected.



**WARNING:** Read the warning instructions that follow before you use the product.

- For best performance and safety, do maintenance on the product regularly as given in the maintenance schedule. Refer to *Maintenance schedule on page 21*.

- Electrical shocks can cause injuries. Do not do maintenance on the battery. Do not touch the cables when the motor is on. Do not do a function test with your fingers.
- Do not start the product if the protective covers are removed. There is a high risk of injury caused by moving or hot parts.
- Let the product become cool before you do maintenance on it.
- The blades are sharp and can cause cuts. Wind protection around the blades or use protective gloves when you do work on the blades.
- Always put the cutting deck in the servicing position to clean it. Do not park the product near the edge of a ditch or slope to get access to the cutting deck.



**CAUTION:** Read the caution instructions that follow before you use the product.

- Make sure that all nuts and bolts are tightened correctly and that the equipment is in good condition.
- Do not change the adjustment of governors. If the motor speed is too high, the product components can become damaged. Refer to *Technical data on page 35* for highest permitted motor speed.
- The product is approved only with the equipment supplied or recommended by the manufacturer.

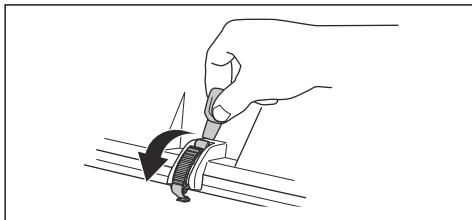
## Assembly

### Introduction

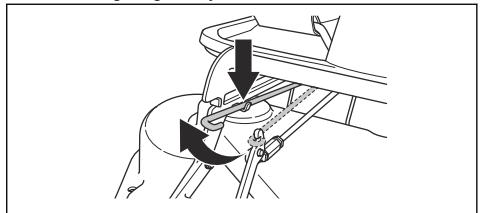
Instructions for how to remove and attach the cutting deck are also on a label on the inner surface of the front cover.

### To remove and attach the cutting deck

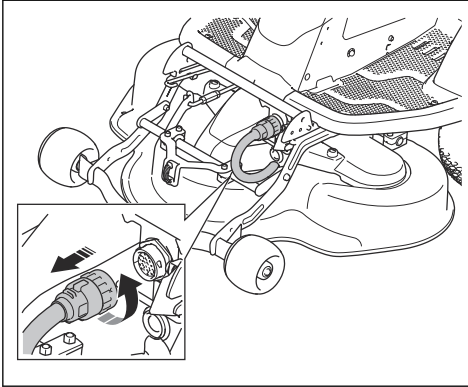
1. Park the product on level ground.
2. Set the power switch to the "0" position.
3. Set the cutting height lever in the servicing position.
4. Release the clip on the front cover with the tool attached to the power switch key, and remove the cover.



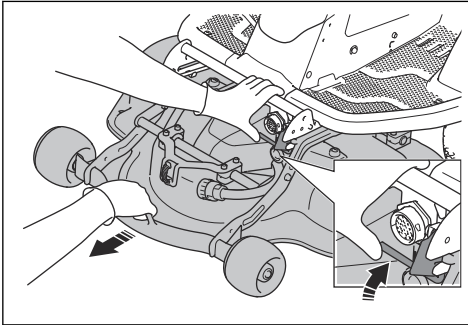
5. Lift the cutting height stay and put it in the holder for the cutting height stay.



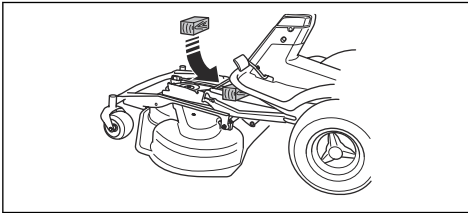
6. Disconnect the cable to the cutting deck.



7. Disengage the lock to the cutting deck with your left hand. Pull the cutting deck out with your right hand.

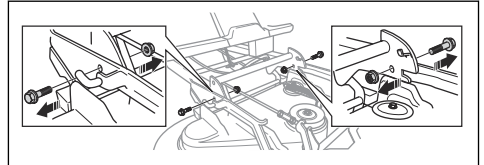


8. Put a wooden block between the equipment frame and the chassis. This makes sure that the cutting deck does not spring back when removed.

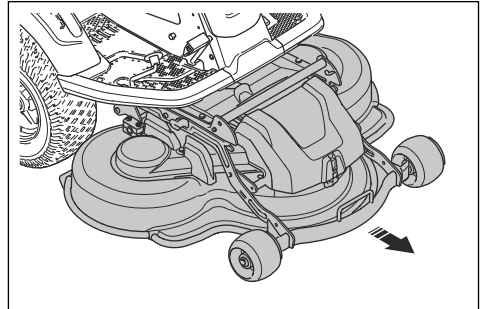


**WARNING:** Be careful. There is a risk of injury if your hand is caught between the equipment frame and the chassis.

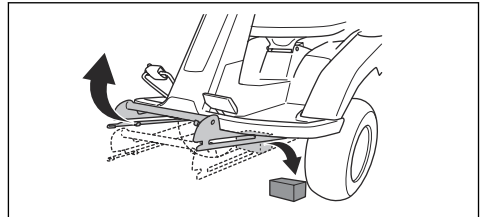
9. Remove the 2 screws on the equipment frame.



10. Hold the front edge of the cutting deck and pull it out.



11. Remove the wooden block.



12. Attach the cutting deck in opposite sequence.

## Operation

### Introduction

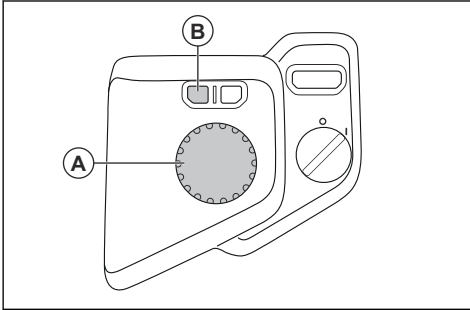


**WARNING:** Before you operate the product, you must read and understand the safety chapter.

## Display

### To use the display menu

1. Push the jog wheel (A) to see the display menu.



2. Turn the jog wheel (A) to scroll through the available menus.
3. Push the jog wheel (A) to select a menu.
4. Push the button (B) to go back and to close the display menu.

**Note:** Most menus are only available from idle mode or when the product is stationary. Refer to *Display modes on page 5*. The menu automatically closes when you push the start button or the pedals.

### Accessory speed



The accessory menu is only available when your product has an accessory with adjustable speed. Refer to the operator's manual for the accessory. For more information about available accessories for the product, speak to your Husqvarna dealer.

### To set the light menu to ON

**Note:** Light is an optional accessory. For more information about available accessories for the product, speak to your Husqvarna dealer.

**Note:** Before you can operate and adjust the light, the light menu must be set to ON.

1. Push the jog wheel to see the display menu.
2. Select the settings menu.



3. Scroll to the light menu.



4. Push the jog wheel to set the light menu to ON.



**Note:** The light menu is set to ON the next time you start the product.

### To adjust the lights

**Note:** The light menu must be set to ON after lights are installed. Refer to *To set the light menu to ON on page 14*.

1. Push the jog wheel to see the display menu.
2. Scroll to the lights off symbol.



3. Push the jog wheel to set the work lights to ON.



4. Push the jog wheel to set the work lights and headlights to ON.



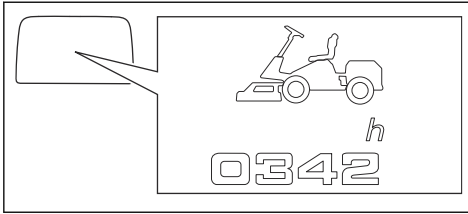
### To read system information

1. Push the jog wheel to see the display menu.
2. Select the information symbol.

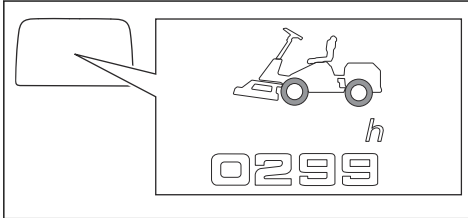


3. Turn the jog wheel to scroll between these system information views:

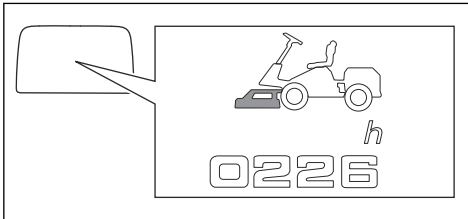
a) Total power on time in drive mode.



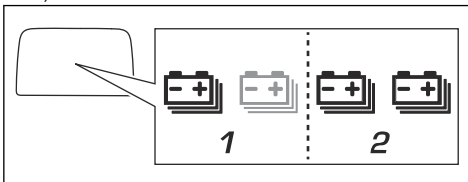
b) Total traction time.



c) Total cut time or use of other front accessory.



d) Number of installed batteries.



**Note:** A second battery can be installed in the product. Speak to your Husqvarna dealer for installation.



**WARNING:** Risk of electrical shock. Do not try to install or repair the batteries. Only let an approved servicing dealer do installations and repairs.

#### To set the time on the display

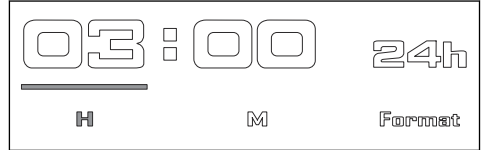
1. Push the jog wheel to see the display menu.
2. Select the settings menu.



3. Select the clock symbol.



4. Turn and push the jog wheel to set the hours, minutes and time format (24h / 12h).



#### To set the sound to on or off

**Note:** When the sound is set to off, you do not hear the notification sounds for warnings, errors or start.

1. Push the jog wheel to see the display menu.
2. Select the settings menu.



3. Select the loudspeaker symbol.



4. Push the jog wheel to set the sound to on or off.

#### To read error messages

**Note:** An error message is a combination of symbols. Refer to *Error messages on the display on page 31*.

1. Push the jog wheel to see the display menu.
2. Select the warnings symbol on the display menu.



**Note:** The error menu shows a maximum of 3 error messages. If there are more than 3 error messages, the error menu shows the first 3 error messages.

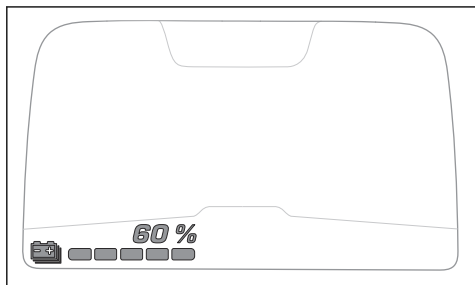
**Note:** When an error is gone from the system, its error message is not saved in the error menu.

3. Refer to *Error messages on the display on page 31* for information and instructions.

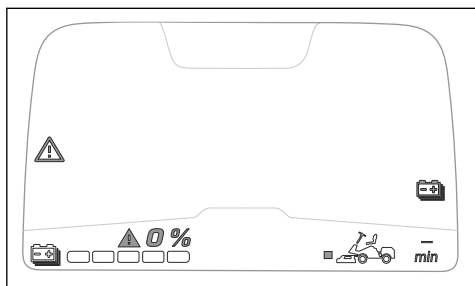
## To start to use Husqvarna Connect

1. Download the Husqvarna Connect app on your mobile device.
2. Register in the Husqvarna Connect app.
3. Do the instruction steps in the Husqvarna Connect app to connect and register the product.

## Battery indication when the product is set to on



The display shows the state of charge in % when the product is on. Each green indicator is 20% state of charge. When the state of charge is 20% or lower, the indicator to the far left is yellow. When the state of charge is 5% or lower, the indicator to the far left is red. When the battery is empty, the indicator to the far left is grey.



## To charge the battery



**WARNING:** An incorrectly used or damaged battery charger can cause an electrical shock, battery leakage or too high temperatures. Regularly examine the battery charger and the battery for damage.



**CAUTION:** Charge the battery before you use it the first time. A new battery is not fully charged.



**CAUTION:** Only use approved chargers. Refer to *Technical data on page 35*.



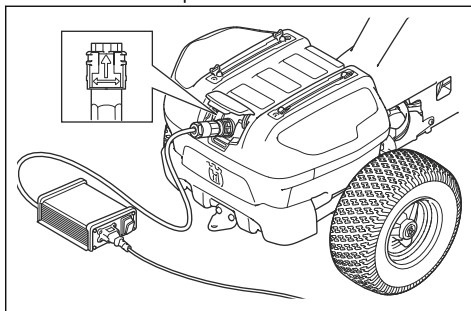
**CAUTION:** The charge process is only possible when the temperature of the battery is in the permitted charge temperature range (0–38 °C).



**CAUTION:** Use the battery in conditions where temperatures are between 0°C and 40°C.

**Note:** The battery can go into sleep mode when the product is in storage or the state of charge is very low. To start the battery, the start button must be pushed for 2 seconds. If the battery does not start it must be charged continuously until it is fully charged. The charge time is longer when the battery is in sleep mode.

1. Connect the battery charger to a grounded mains socket and to the product.



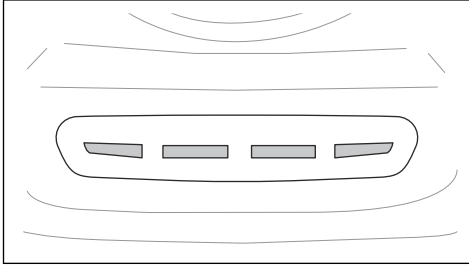
2. Set the charger ON/OFF switch to ON.
3. Set the charger ON/OFF switch to OFF before you disconnect the charger.

**Note:** A second battery can be installed in the product. Speak to your Husqvarna dealer for installation.

## Battery indication when the battery charges

When a charger is connected to the product and the power switch is set to the "1" position, the display shows the charge view. Refer to *Charge view on page 5*.

When a charger is connected, 4 LEDs below the socket for the battery charger show the state of charge.



**Note:** All 4 LEDs come on momentarily when the battery charger is connected.



**CAUTION:** If no LEDs come on or if red LEDs flash when the battery charger is connected, there is an error. Look for warning symbols or an error message on the display. Disconnect the charger and refer to *Troubleshooting on page 27*.

When the battery is fully charged, all 4 LEDs are on.



**CAUTION:** If the charger is connected and the charger ON/OFF switch is set to OFF, all charge indicators will go off. Make sure that you disconnect the charger before you operate the product.

LEDs	State of charge
All 4 LEDs are on.	The battery is 76–100% charged.
LEDs 1–3 are on.	The battery is 51–75% charged.
LEDs 1–2 are on.	The battery is 26–50% charged.
LED 1 is on.	The battery is 0–25% charged.

**Note:** If a charger is connected when the temperature of the battery is higher than 38°C, the charge does not start. Yellow LEDs show the state of charge. When the temperature of the battery is in the permitted charge

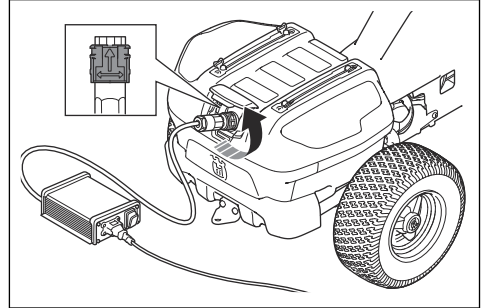
temperature range (0–38°C), the charge automatically starts.

**Note:** If you use the product in cold temperatures, the operation time can decrease.

## To disconnect the battery charger

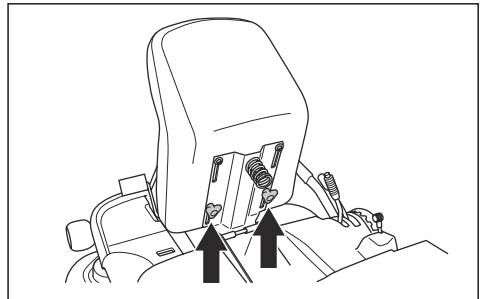
**Note:** It is not possible to start the product when the battery charger is connected.

1. Set the charger ON/OFF switch to OFF.
2. Turn the charger plug to disconnect the charger.



## To adjust the seat

The seat can be tilted forward. It can also be adjusted lengthways. Loosen the handles below the seat to adjust it forward or rearward.

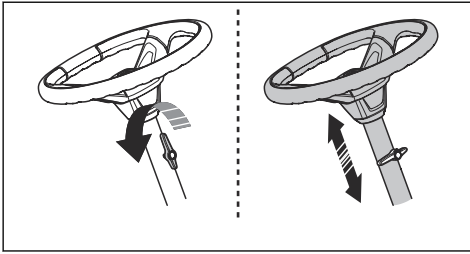


## To adjust height of the steering wheel



**WARNING:** Do not adjust the height of the steering wheel during operation of the product.

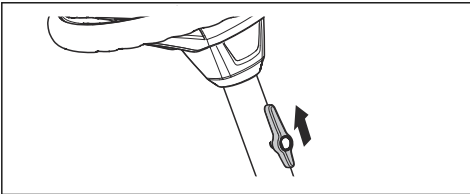
1. Turn the knob counterclockwise to loosen.



2. Adjust the height of the steering wheel.
3. Turn the knob clockwise to tighten.

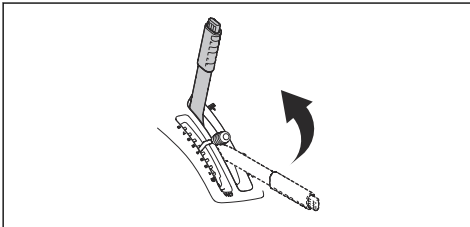


**CAUTION:** Make sure that the long end of the knob points up.

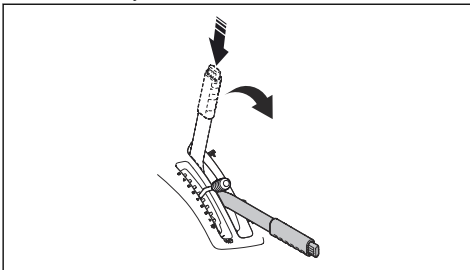


## To lift and lower the cutting deck

- To lift the cutting deck to transport position, pull the lift lever rearward. If the drive mode is on, the blades stop to rotate automatically.

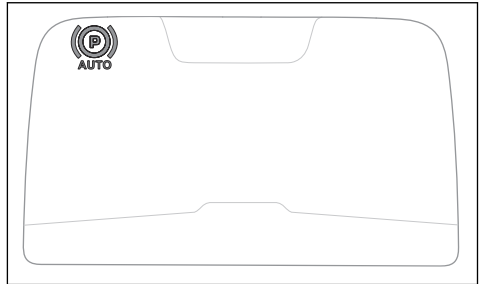


- To lower the cutting deck to mow position, push the lock button and move the lift lever forward. If the drive mode is on, the blades start to rotate automatically.



## Parking brake

The parking brake is electric. The parking brake is automatically applied when the product is stationary and released when you push the pedals. A parking brake symbol shows on the display when the parking brake is applied.



## To move the product manually



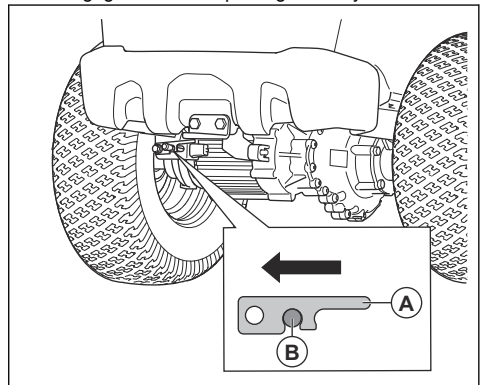
**WARNING:** Before you operate the product, make sure that the electric parking brake system is engaged.



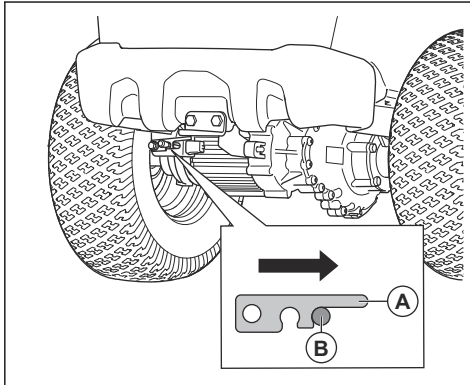
**CAUTION:** Do not push the product longer than necessary or at a speed higher than 6 km/h.

To move the product with the motor off, the electric parking brake system must be disengaged. The lever for the electric parking brake system is behind the left rear wheel.

- Release the lock to the electric parking brake system (A) and move the lever (B) to the left position to disengage the electric parking brake system.

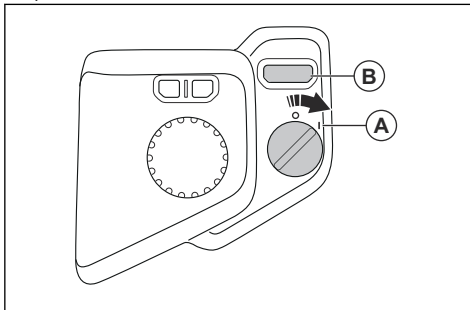


- Release the lock to the electric parking brake system (A) and move the lever (B) to the right position to engage the electric parking brake system.

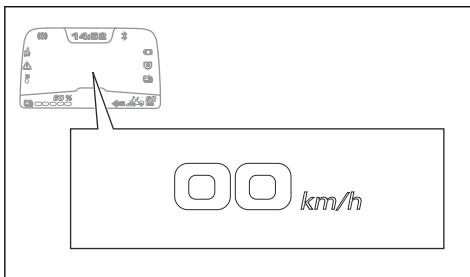


## To start the product

1. Disconnect the cable to the battery charger.
2. Sit on the seat.
3. Lift the cutting deck to transport position. Refer to *To lift and lower the cutting deck on page 18*.
4. Set the power switch to the "1" position (A). The product is set to idle mode.



5. Make sure that you do not push the pedals.
6. Push the start button (B) until there is a sound and the display view changes. This shows that drive mode is on.

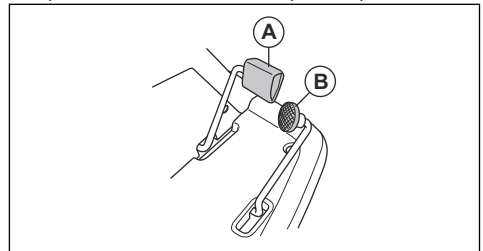


**Note:** You do not hear the sound if the sound is set to off. Refer to *To set the sound to on or off on page 15*.

**Note:** The battery can go into sleep mode when the product is in storage or the state of charge is very low. To start the battery, the start button must be pushed for 2 seconds. If the battery does not start, it must be charged continuously until it is fully charged. The charge time is longer when the battery is in sleep mode.

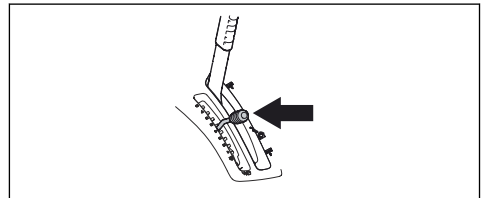
## To operate the product

1. Start the product. Refer to *To start the product on page 19*.
2. Carefully push down 1 pedal. Use pedal (A) to move forward, and pedal (B) to move in reverse. The speed increases the more the pedal is pushed down.

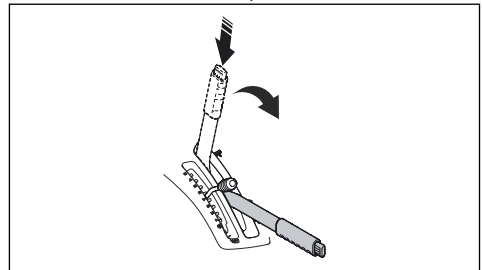


**Note:** The parking brake is automatically released when you push a pedal.

3. Release the pedal to engage the brakes.
4. Select cutting height (1-10) with the cutting height lever.



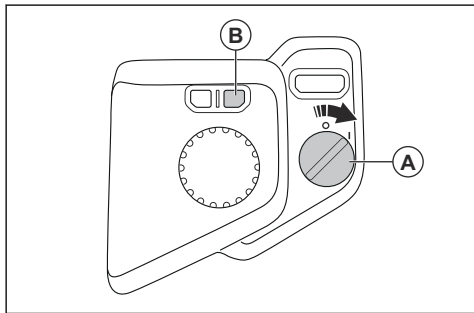
5. Push the lock button on the lift lever for the cutting deck and lower it to mow position.



## To select a drive mode

You can set the product in 2 different drive modes: Standard drive mode or a battery save function, SavE. The SavE function gives longer operation time. The SavE function decreases the speed of the product and the speed of the blades.

1. Set the power switch (A) to the "1" position. The display comes on.
2. Push the drive mode button (B) to change drive mode.



**Note:** The drive mode indicator on the display shows which drive mode is on. Refer to *Display overview on page 4*.

**Note:** If the indicator for Low battery drive mode comes on, refer to *Display indicator messages on page 29*.

## To stop the product

1. Park the product on level ground. The parking brake is automatically applied when the product is stationary.
2. Pull the lift lever for the cutting deck rearward to lift the cutting deck to transport position.
3. Set the power switch to the "0" position.

## To get a good mow result

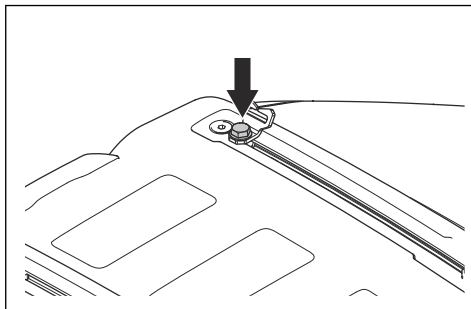
- Do not cut a wet lawn. Wet grass can give a bad result.
- Start with a high cutting height and decrease it gradually.
- To get the best result, use standard drive mode. Move the product forward at low speed. If the grass is not too high and thick, you can get a good result also at a higher speed.

- To get the best result, cut the grass frequently and use the mulch function. Refer to *To remove and install the BioClip plug on the cutting deck on page 26*.

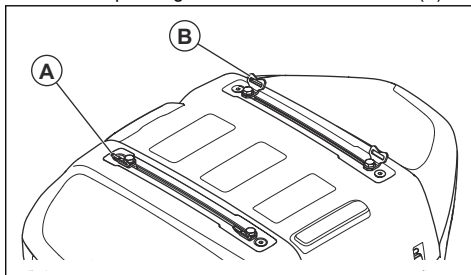
## To attach load to the rails

The product has rails and rail brackets on the battery cover to attach load.

1. Adjust the rail brackets to fit the load.
  - a) Loosen the screw and move the rail bracket forward or rearward on the rail.



- b) Tighten the screw.
2. Put a strap through the hole in the rail bracket (A).



3. Put the strap through the rail bracket (B) on the opposite side.
4. Use the rail brackets to attach the load with straps.



**CAUTION:** Do not overload the rails. Refer to *Technical data on page 35*.

---

# Maintenance

---

## Introduction



**WARNING:** Read and understand the safety chapter before you do maintenance on the product.

---

## Maintenance schedule

Daily maintenance before use
Make sure that nuts and screws are tightened.
Clean the product and the inner surfaces of the cutting deck.
Make sure that the safety devices are not broken.
Examine the steering cables.
Examine the blades in the cutting deck.
Make sure that the tire pressure is correct.

X = The instructions are given in this operator's manual.

O = The instructions are not given in this operator's manual. Let an approved service agent do the maintenance.

Maintenance	Each 50 h or yearly
Clean the outer and inner surface of the cutting deck. Clean below the cutting deck cover and around the blades.	X
Make sure that the tire pressure is correct.	X
Connect the product to Husqvarna Service Hub (HSH) and do an update of the firmware and a calibration if it is necessary.	O
Charge the battery to a minimum of 80 %. Do a check of the battery status in HSH.	O
Make sure that nuts and screws are tightened to the correct torque.	O
Do an inspection, lubricate and adjust all wires.	O
Do a check of the steering chain of the inner side of the frame tunnel.	O
Lubricate the pedals on the inner side of the frame tunnel.	O
Lubricate the operators seat.	O
Remove the drive wheels and lubricate the axles with grease.	O
Lubricate the cutting deck frame and the cutting deck presence control.	O
Lubricate the pivot wheels on the cutting deck.	O
Examine the blades. Sharpen and balance the blades if it is necessary.	O
Do a check of and adjust the parallelism of the cutting deck.	X

Maintenance	Each 50 h or yearly
Do a check of the switch on the cutting deck lift.	○
Do a check of the blade engagement and the OPC switch.	○
Do a check of the forward drive and rearward drive on different speeds.	○

## To clean the product



**CAUTION:** Do not use a high-pressure washer or a steam cleaner. Water can go into bearings and electrical connections and cause corrosion which causes damage to the product.

Clean the product immediately after use.

- Before you clean with a wet cloth, clean with a brush. Remove grass and dirt on and around the propulsion system and the inlet to the cooling fan of the motor.
- Use a wet cloth to clean the product.
- Do not use water at electrical components or bearings. Detergent usually increases the damage.
- Make sure that the battery and battery charger are clean before the battery charger is connected to the product.
- To clean the cutting deck, put it in servicing position and hose it down with water. Make sure that the power switch is set to the "0" position.
- When the product is clean, start the cutting deck for a short period to blow off remaining water.

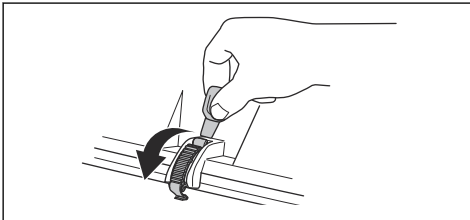
## To remove the covers

### To open and close the battery cover

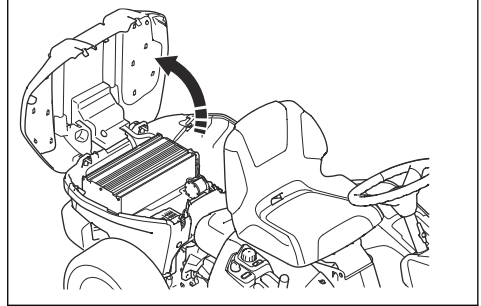


**CAUTION:** Remove load attached to the rails before you open the battery cover.

1. Release the 2 clips on the front of the battery cover with the tool attached to the power switch key.



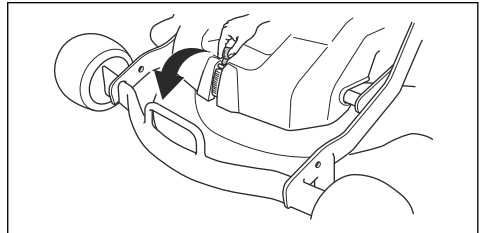
2. Lift the front of the battery cover and tilt it rearward.



3. Close in the opposite sequence.

### To remove the front cover

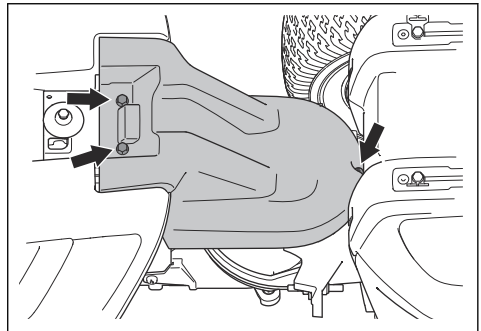
1. Release the clip on the front cover with the tool attached to the power switch key.



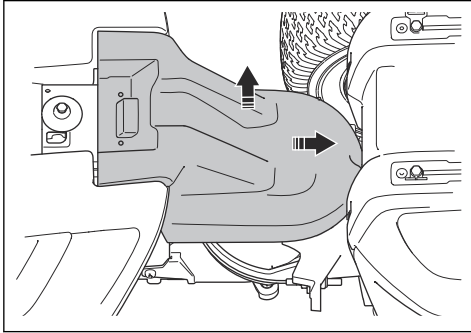
2. Remove the front cover.

### To remove and install the frame cover

1. Tilt the seat forward.
2. Remove the 3 screws.



3. Push the frame cover rearward and lift the frame cover.



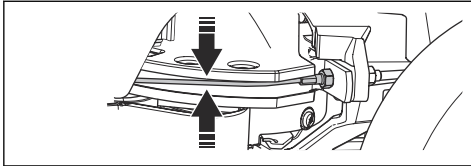
4. Install in the opposite sequence.

## To examine the steering wires

The tension of the steering wires can decrease after a period of time. This causes the adjustment of the steering to change.

Examine and adjust the steering as follows:

1. The steering wires are correctly tightened if you can manually move them 5 mm up or down in the groove on the steering collar.



2. If the wires are too loose, let an authorized service agent adjust them.

## To do a check of the parking brake

1. Park the product on a hard surface that slopes maximum 10°. Keep the product on.



**WARNING:** Do not park the product on a grass slope when you do a check of the parking brake.

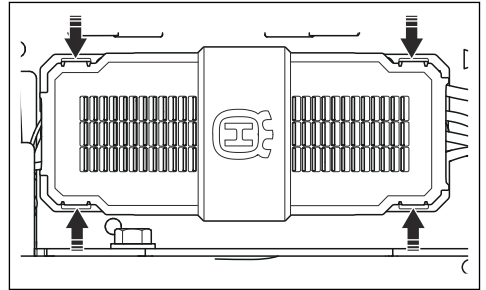
**Note:** The parking brake is electric. The parking brake is automatically applied when the product is stationary.

2. Make sure that the parking brake symbol shows on the display and that the product does not move. If the product moves, speak to your Husqvarna servicing dealer.

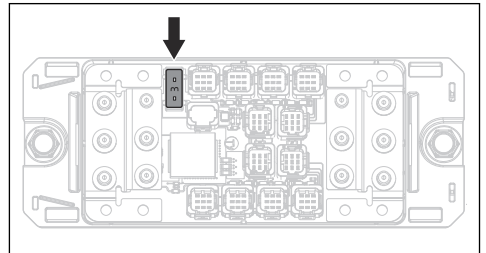
## To replace the fuse for the power control unit

A broken fuse for the power control unit is identified by a burned fuse wire.

1. Make sure that the charger ON/OFF switch is set to OFF and that the charger is disconnected from the product. Refer to *To disconnect the battery charger on page 17*.
2. Set the power switch to the "0" position and remove the power switch key.
3. Remove the frame cover. Refer to *To remove and install the frame cover on page 22*.
4. Push the 4 clips and remove the cover of the power control unit.



5. Pull out the fuse for the power control unit from the holder.

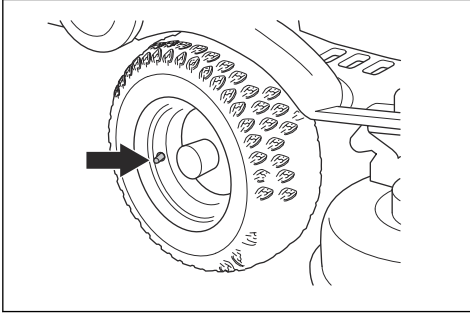


6. Replace the broken fuse for the power control unit with a new fuse of the same type. Refer to *Technical data on page 35*.

**Note:** If the fuse for the power control unit breaks again a short period of time after you replace it, speak to your Husqvarna servicing dealer.

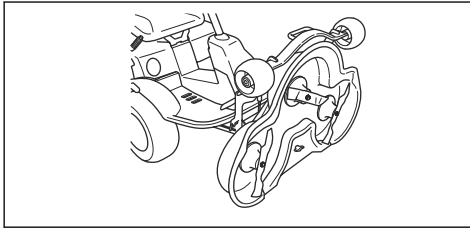
## Tire pressure

The correct tire pressure is 60 kPa (0.6 bar / 8.5 PSI) on all 4 tires.



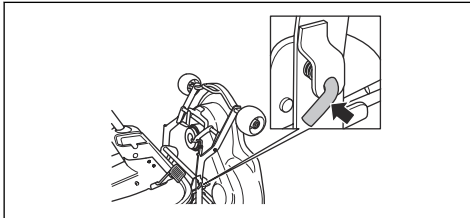
## To put the cutting deck in servicing position

1. Do step 1–7 in *To remove and attach the cutting deck on page 12*.
2. Lift the cutting deck to vertical position until a click sound is heard. The cutting deck is locked automatically in the vertical position.

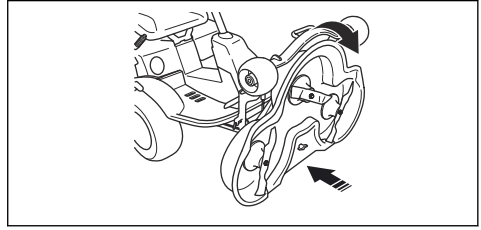


## To put the cutting deck in mow position

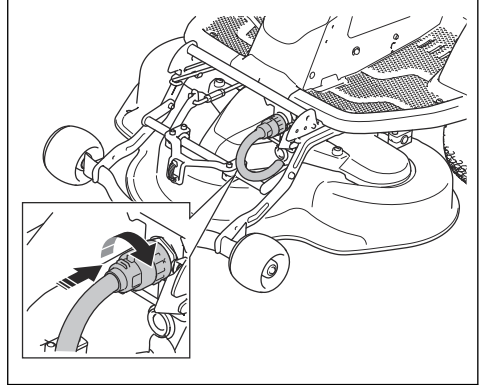
1. Hold the front edge of the cutting deck with your left hand.
2. Loosen the lock with your right hand.



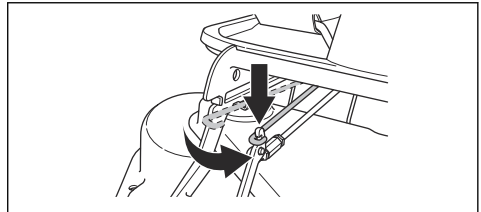
3. Fold down the cutting deck and push it in until it stops.



4. Connect the cable to the cutting deck.



5. Lift the cutting height stay from the stay holder and put it in the hole.



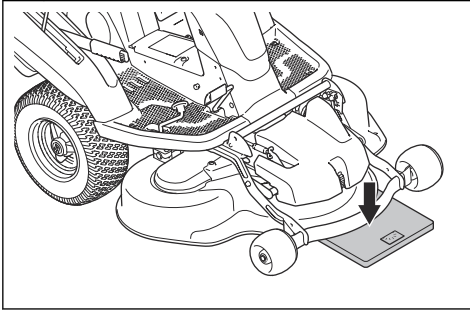
6. Attach the front cover.
7. Move the cutting height lever from the servicing position to one of the positions with a number.

## To examine and adjust the ground pressure from the cutting deck

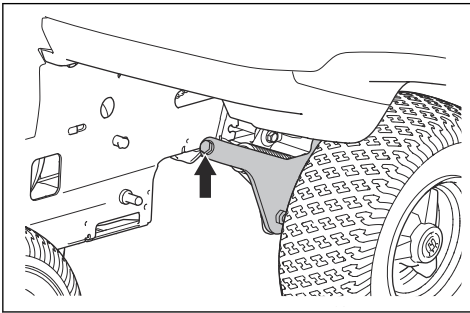
A correct ground pressure makes sure that the cutting deck moves along the surface but does not press too hard against it.

1. Make sure that the air pressure in the tires is 60 kPa (0.6 bar / 9.0 PSI).
2. Park the product on a level surface.
3. Lower the cutting deck to mow position.

- Put a bathroom scale below the front edge of the cutting deck.



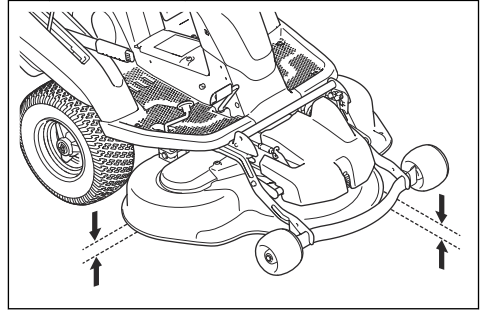
- To make sure that no weight is applied on the support wheels, put a wooden block between the frame and the bathroom scale.
- To adjust the ground pressure, turn the adjustment screws found behind the front wheels on the right and left sides.
- Turn the screws right or left until the ground pressure is between 12 and 15 kg (26.5-33 lb).



### To do a check of the parallelism of the cutting deck

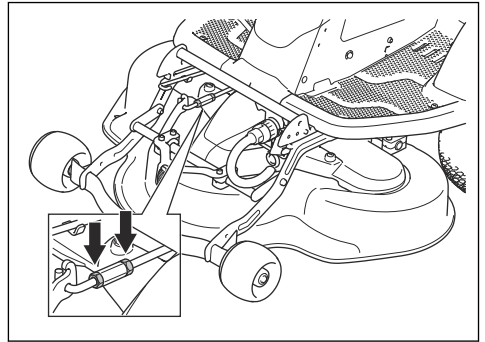
- Make sure that the air pressure in the tires is correct. Refer to *Technical data on page 35*.
- Park the product on a level surface.
- Lower the cutting deck to mow position.
- Set the cutting height lever to the middle position.

- Measure the distance between the ground and the front and rear edges of the cutting deck. Make sure that the rear edge is 4–6 mm or 1/5 in. higher than the front edge.

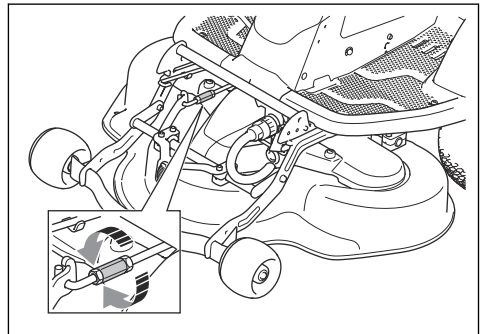


### To adjust the parallelism of the cutting deck

- Remove the front cover.
- Loosen the nuts on the lift stay.



- Turn the lift stay to extend it or make it shorter. Extend the lift stay to lift the rear edge of the cover. Make the lift stay shorter to lower the rear edge of the cover.



- Tighten the nuts on the lift stay when the adjustment is done.

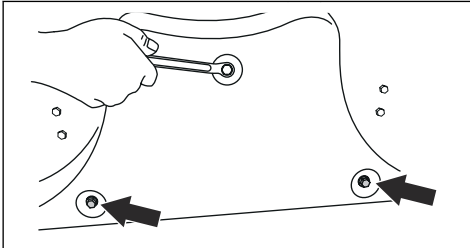
- Do a check of the parallelism. Refer to *To do a check of the parallelism of the cutting deck on page 25*.
- Attach the front cover.

## To remove the BioClip plug

- Remove the BioClip plug to change a Combi cutting deck from BioClip to rear discharge of the grass.

## To remove and install the BioClip plug on the cutting deck

- Put the cutting deck in servicing position. Refer to *To put the cutting deck in servicing position on page 24*.
- Remove the 3 screws that hold the BioClip plug and remove the plug.



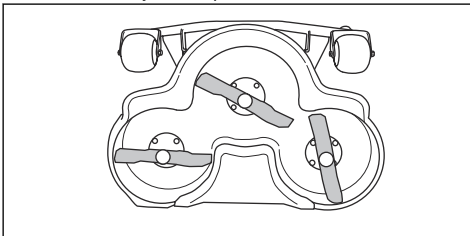
- Attach 1 M8x15 mm screws in the top screw hole for the BioClip plug to prevent damage to the threads.
- Put the cutting deck in the mow position.
- Install the BioClip plug in the opposite sequence.

## To examine the blades



**CAUTION:** Damaged or incorrectly balanced blades can cause damage to the product. Replace damaged blades. Let an approved service agent help you sharpen and balance blunt blades.

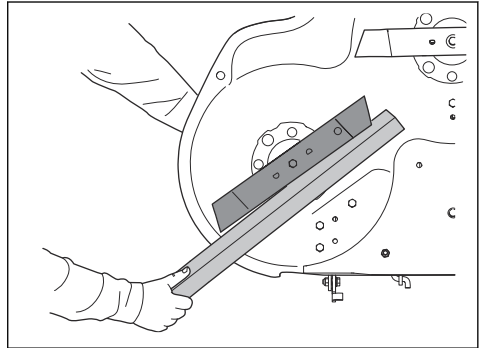
- Put the cutting deck in servicing position.
- Look at the blades to see if they are damaged and if it is necessary to sharpen them.



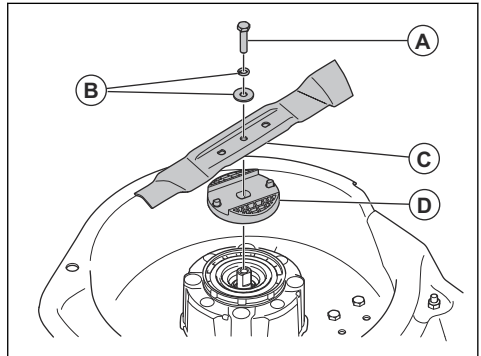
- Tighten the blade bolts with tightening torque 25 Nm.

## To replace the blades

- Remove the cutting deck. Refer to *To remove and attach the cutting deck on page 12*.
- Lock the blade with a wooden block.



- Loosen and remove the blade bolt (A), the washers (B) the blade (C) and the blade support (D).



- Install in the opposite sequence. Install the new blade with the bent ends in the direction of the cutting deck.



**WARNING:** Incorrect blade type can cause objects to eject from the cutting deck and cause serious injury. Use only the blades given in *Technical data on page 35*.

---

# Troubleshooting

---

## Introduction

If you cannot find a solution to your problems in this operator's manual, speak to your Husqvarna servicing dealer.

**Note:** Make sure that the battery is charged before you do troubleshooting on the product. Refer to *To charge the battery on page 16*.

---

## Troubleshooting schedule

Problem	Cause	Action
The display does not come on when the power switch is set to position "1".	The battery is empty. Refer to <i>To charge the battery on page 16</i> .	Charge the battery.
	The battery is in sleep mode.	To start the battery, push the start button for 2 seconds. If the battery does not start, it must be charged continuously until it is fully charged. The charge time is longer when the battery is in sleep mode.
	The fuse for the power control unit is broken.	Replace the fuse for the power control unit, refer to <i>To replace the fuse for the power control unit on page 23</i> . Speak to your Husqvarna servicing dealer if the problem continues.
	The display, or the cable to the display unit, is broken.	Speak to your Husqvarna servicing dealer.
	The power switch is broken.	
Drive mode does not start when you push the start button.	Incorrect start procedure.	Refer to <i>To start the product on page 19</i> and <i>Start prevented on page 5</i> .
	The start button is pushed down for less than 1 second.	Push down the start button for 1 second. A sound and/or a display change shows that drive mode is on. When the sound is set to off, you do not hear the notification sound for start. Refer to <i>To set the sound to on or off on page 15</i> .
	The control panel is broken.	Speak to your Husqvarna servicing dealer.



<b>Problem</b>	<b>Cause</b>	<b>Action</b>
The cutting deck motors do not start.	The cutting deck is not in mow position.	Move the cutting deck to mow position, refer to <i>To put the cutting deck in mow position on page 24</i> .
	The cable to the cutting deck is not connected correctly.	Connect the cutting deck to the product, refer to <i>To remove and attach the cutting deck on page 12</i> .
	The cutting deck is full of grass.	Clean the cutting deck, refer to <i>To clean the product on page 22</i> .
	The grass is too high.	Adjust the cutting height to the grass conditions.
	The temperature of the controls for the cutting deck motors are too high.	Stop the product and wait for the temperature to decrease. Restart after 20 minutes.
	The cutting deck motors are broken.	Speak to your Husqvarna servicing dealer.
	The controls for the cutting deck motors are broken.	
There is no power in the cable to the cutting deck.		
The battery does not charge. The LEDs below the socket for the battery charger do not come on.	The battery charger is not correctly connected to the mains outlet or to the product.	Refer to <i>To charge the battery on page 16</i> .
	The charger ON/OFF switch is set to OFF.	Set the charger ON/OFF switch to ON.
	The battery charger is broken.	Disconnect the battery charger and speak to your Husqvarna servicing dealer.
	There is an internal error.	
	The mains outlet is broken.	Put the charger plug into a mains outlet that has the voltage and frequency that is specified on the rating plate.
The battery does not charge. The LEDs below the socket for the battery charger flash red.	The temperature is not in the charge temperature range.	Wait until the battery temperature is in the permitted charge temperature range (0-38 °C). Look for error messages or warning symbols on the display. Refer to <i>Warning messages on the display on page 30</i> and <i>Error messages on the display on page 31</i> .
	The battery is broken.	Disconnect the battery charger and speak to your Husqvarna servicing dealer.
	There is an internal error.	
The battery does not charge. The LEDs below the socket for the battery charger show the state of charge in yellow.	The battery temperature is higher than 38 °C.	Make sure that the charger and the product is in a location that is in the permitted charge temperature range (0-38 °C). If the charger is connected, the charge starts automatically when the battery temperature is lower than 38 °C. If the problem continues, speak to your Husqvarna servicing dealer.





Problem	Cause	Action
The operation time is not increased after a second battery is installed.	The second battery is not correctly installed in the product.	Make sure that the second battery show on the display. Refer to <i>To read system information on page 14</i> . Speak to your Husqvarna servicing dealer if there is only 1 battery symbol in the display or if the problem continues.
There is vibration in the product during cutting mode.	The blades are loose/damaged.	Do a visual inspection. Refer to <i>To examine the blades on page 26</i> . Speak to your Husqvarna servicing dealer if the problem continues.
	One or more blades are not balanced.	
	The cutting deck motor is loose.	
There is vibration in the product during transport mode.	One or more wheels are loose.	Do a visual inspection. Speak to your Husqvarna servicing dealer if the problem continues.
	The product has a flat tire.	
	There are loose screws in the product.	
	The drive motor is loose.	
The cutting result is unsatisfactory.	The blades are blunt.	Refer to <i>To examine the blades on page 26</i> .
	The grass is long or wet.	Refer to <i>To get a good mow result on page 20</i> .
	The cutting deck is not parallel to the ground.	Refer to <i>To do a check of the parallelism of the cutting deck on page 25</i> .
	There is grass blockage in the cutting deck.	Refer to <i>To clean the product on page 22</i> .
	The tire pressure is different on the right and left sides.	Refer to <i>Tire pressure on page 24</i> .
	The product is operated at too high speed.	Speak to your Husqvarna servicing dealer.
	The motor speed is too low.	Speak to your Husqvarna servicing dealer.

## Display - Troubleshooting

### Display indicator messages

Display indicator messages show an engaged function or information about the condition of the product. Refer to *Display overview on page 4*. One or more display indicators come on. When there is a display indicator message, the product can still operate but there are recommended actions.




Symbols	Name	Cause / Action
	System error	There is a system error on the product. Stop the product and set the power switch to the "0" position. Wait for 5 minutes. Speak to your Husqvarna servicing dealer if the problem continues.
	Battery error	There is a battery error. Stop the product and set the power switch to the "0" position. Wait for 5 minutes before you start. Speak to your Husqvarna servicing dealer if the problem continues.

Symbols	Name	Cause / Action
	Drive motor warning	The drive motor is stalled. Possibly because the product operates on a hill where the necessary discharge power is too high. Do not operate in conditions that cause the drive motor to stop.
	Temperature error	There is a temperature error. Refer to the combination of symbols for more information.
	Decreased performance mode	Decreased performance mode is on. Decreased performance mode is automatically set when the level of charge is low. Charge the product and do not operate on a hill.
	Decreased performance mode	The product is automatically set to Decreased performance mode. The level of charge is low and/or the temperature in the battery, the drive motor or the drive motor controller is too high. In this drive mode the blades are disengaged and the speed decreases gradually. Refer to the combination of symbols for more information.

## Warning messages on the display

A warning message is a combination of yellow symbols that first show as large symbols in the center of the display. When there is a warning, the product can operate but it is slower than usual. To prevent error, stop the product and wait for the warning symbols to go off. If the product is stopped, it cannot start again until the warning message is gone.







**Note:** For warnings on the cutting deck motor/motor controller, lift the cutting deck/accessory to transport position to restart or operate.

Symbols	Name	Cause / Action
	Battery temperature warning	The battery temperature is higher than recommended. The product operates slower than usual until the temperature is decreased. Stop the product and wait for the battery temperature to decrease before you start.
	Temperature warning for the drive motor or the drive motor controller	The temperature in the drive motor or the drive motor controller is higher than recommended. The product operates slower than usual until the temperature is decreased. Stop the product and wait for the temperature of the drive motor to decrease before you start.
	Temperature warning for the cutting deck motor or the controller for the cutting deck motor	The temperature in the cutting deck motor or the controller for the cutting deck motor is higher than recommended. The product operates slower than usual until the temperature is decreased. Lift the cutting deck / front accessory to transport position and wait for the temperature to decrease before you start.

## Error messages on the display

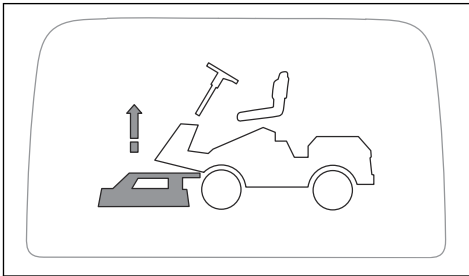
An error message is a combination of red symbols that first show as large symbols in the center of the display. When there is an error, the product is automatically set to idle mode and cannot start until the error is gone. You can see error messages in the error menu. Refer to *To read error messages on page 15*.

**Note:** For errors on the cutting deck motor/motor controller, lift the cutting deck/accessory to transport position to restart or operate.

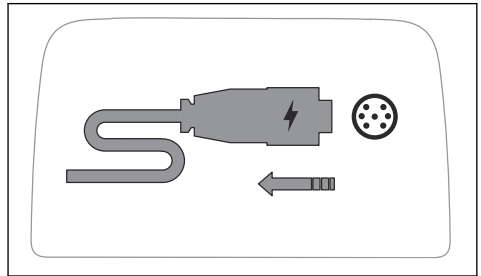
Symbols	Name	Cause / Action
	Battery temperature error	The battery temperature is too high. Wait for the temperature of the battery to decrease. Speak to your Husqvarna servicing dealer if the problem continues.
	Temperature error for the drive motor or the drive motor controller	The temperature of the drive motor or the drive motor controller is too high. Wait for the temperature of the drive motor or drive motor controller to decrease. Speak to your Husqvarna servicing dealer if the problem continues.
	Temperature error for the cutting deck motor or the controller for the cutting deck motor	The temperature of the cutting deck motor or the controller for the cutting deck motor is too high. Lift the cutting deck or other front accessory to transport position and wait for the temperature to decrease. Speak to your Husqvarna servicing dealer if the problem continues.
	Error in the drive motor or the drive motor controller	There is an error in the drive motor or the drive motor controller. Stop the product and set the power switch to the "0" position. Wait for 5 minutes before you start. Speak to your Husqvarna servicing dealer if the problem continues.
	Error in the cutting deck motor or the controller for the cutting deck motor	There is an error in the cutting deck motor or the controller for the cutting deck motor. Lift the cutting deck or other front accessory to transport position. If the problem continues, stop the product and wait for 5 minutes before you start. Speak to your Husqvarna servicing dealer if the problem continues.
	Battery empty error	The battery is empty. Charge the battery.

## Messages when start is prevented

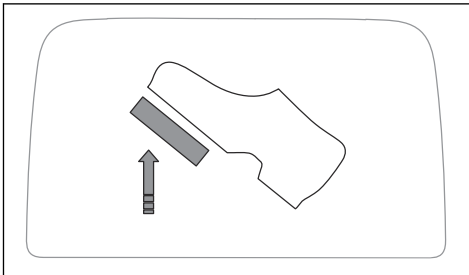
Start prevented symbols show when the conditions for start are not obeyed. The start prevented symbol stays on the display until the conditions for start are obeyed. Refer to *To start the product on page 19*.



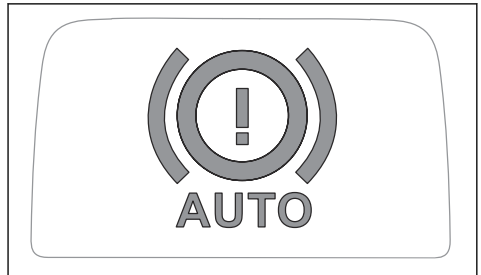
Description	Action
Start is prevented because the cutting deck is in mow position.	Lift the cutting deck to transport position before start. Refer to <i>To lift and lower the cutting deck on page 18.</i>



Description	Action
Start is prevented because the charger is connected.	Disconnect the charger from the product before start. Refer to <i>To disconnect the battery charger on page 17.</i>



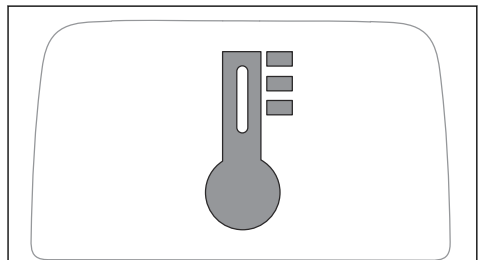
Description	Action
Start is prevented because pedals are pushed.	Do not push the pedals when the product starts.



Description	Action
Start is prevented because the electric parking brake system is disengaged.	Engage the electric parking brake system before start. Refer to <i>To move the product manually on page 18.</i>



Description	Action
Start is prevented because the operator is lifted from the seat.	The operator must sit in the seat when the product starts. Refer to <i>Operator presence control (OPC) on page 5.</i>



Description	Action
Start is prevented because there is a temperature error.	Refer to <i>Display - Troubleshooting on page 29.</i>

---

# Transportation, storage and disposal

---

## Transportation

- The product is heavy and can cause crush injuries. Be careful when you load it onto or off a vehicle or trailer.
- Do not lift the product. The transport eyelets are not approved lifting points and must only be used to attach the product safely to a trailer.
- Use an approved trailer for transportation of the product.
- Make sure that you have knowledge of local road traffic regulations before transportation of the product in a trailer or on roads.

### To tow the product

To move the product with the power off, the electric parking brake system must be disengaged.

1. Disengage the electric parking brake system. Refer to *To move the product manually on page 18*.
2. Tow the product at low speed and short distances only.

### To safely attach the product on a trailer for transport



**WARNING:** The parking brake is not sufficient to lock the product during transport. Attach the product tightly to the trailer.

Equipment: 2 approved tension belts and 4 wedge shaped wheel blocks.

1. Attach the tension belts around the frame or rear wagon.
2. Tighten the tension belts in the direction of the rear and the front of the trailer to secure the product.
3. Put the wheel blocks in front of and behind the rear wheels.

### Transportation of batteries

- The supplied 48 V batteries obey the requirements of the Dangerous Goods Legislation.
- Obey the special requirement for packaging and labels for commercial transportation by third parties and forwarding agents.
- Speak to a person with special training in dangerous material before you send the product. Obey all applicable national regulations.
- Use tape on open contacts when you put the battery in a package. Put the battery in a tight package to prevent movement.

## Storage

Prepare the product for storage at the end of the season and before more than 30 days of storage.



**WARNING:** Remove grass, leaves and other flammable materials from the product to decrease the risk of fire. Let the product become cool before you put it in storage.

- Set the power switch to the "0" position.
- Clean the product, refer to *To clean the product on page 22*. Fill in paint damages to prevent corrosion.
- Examine the product for worn or damaged parts and tighten loose screws and nuts.
- Fully charge the battery before storage. Make sure that the charge of the batteries is 50 % or more during storage.

**Note:** The battery can go into sleep mode when the product is in storage or the state of charge is very low. To start the battery the start button must be pushed for 2 seconds. If the battery does not start, it must be charged continuously until it is fully charged. The charging time is longer when the battery is in sleep mode.

- Lubricate all grease nipples, joints and axles.
- Keep the product in a clean and dry area. Put a protective cover on the product.

**Note:** A protective cover for protection of your product during storage or transport is available at your dealer.

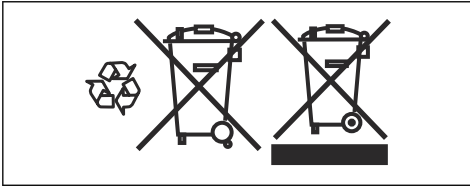
- Keep the product in a locked area to prevent access for children or persons that are not approved.
- Keep the product and the power supply in a dry and frost-free area.
- If you will use the product, keep the product in storage where the ambient temperature is between 0 °C/32 °F and 50°C/122 °F. If you will not use the product, you can keep the product in storage where the ambient temperature is between -20 °C/-4 °F and 50°C/122 °F.
- Keep the product out of sunlight.
- Do not keep the product in areas where static electricity can occur.

### Disposal of the battery and battery charger

Symbols on the product or its packaging indicate that this product cannot be handled as domestic waste. It must instead be submitted to an appropriate recycling

station for the recovery of electrical and electronic equipment.

By ensuring that this product is taken care of correctly, you can help to counteract the potential negative impact on the environment and people that can otherwise result through the incorrect waste management of this product. For more detailed information about recycling this product, contact your municipality, your domestic waste service or the shop from where you purchased the product.



## Disposal

- Chemicals can be dangerous and must not be discarded on the ground. Always discard used chemicals at a service center or an applicable disposal location.
- When the product is worn out, send it to the dealer or to an applicable recycling location.
- Oil and the battery can have negative effects on the environment. Obey the local recycling requirements and applicable regulations.
- Do not discard the battery as domestic waste.
- Send the battery to a Husqvarna service agent or discard it at a disposal location for used batteries.

## Technical data

### Technical data

<b>Dimensions</b>	
Length without cutting deck, mm	1999
Width without cutting deck, mm	883
Length including cutting deck, mm <sup>2</sup>	2296
Width including cutting deck, mm <sup>3</sup>	994
Height, mm	1128
Weight without cutting deck (incl. 1 battery), kg	186
Wheel base, mm	907
Tire dimensions	170/60-8
Tire pressure, rear – front, kPa / bar / PSI	60 / 0.6 / 8.7
Max. gradient, degrees °	10
Max. tow equipment weight at 10 ° gradient, kg	110
Max. permitted vertical force on the tow bar, N / kg	250 / 25
Max. permitted horizontal force on the tow bar, N / kg	250 / 25
Max. load on the battery cover, kg	25
<b>Drive motor</b>	
Motor type	Brushless DC motor
Voltage, V	48
Nominal motor output, kW	1.5
Max. motor speed, rpm	3500
<b>Transmission</b>	
Brand/Model	Omnigear/Husqvarna TP400R
Grease	NLGI-00 EP GREASE
Grease volume, l	0.6
Number of forward drive gears	–
Number of reverse gears	–
Max. forward speed, km/h	9
Max. reverse speed, km/h	5
<b>Electrical system</b>	
Type	48 V. DC, negative earthed

<sup>2</sup> Measured with cutting deck Combi 94i

<sup>3</sup> Measured with cutting deck Combi 94i

Main fuse, A	80
Cutting deck fuse, A	80
Fuse for the power control unit, A / V	3 / 58
<b>Noise emissions</b> <sup>4</sup>	
Sound power level, measured dB(A)	95
Sound power level, guaranteed dB(A)	96
<b>Sound levels</b> <sup>5</sup>	
Sound pressure level at the operators ear, dB(A)	78
<b>Vibration levels</b> <sup>6</sup>	
Vibration level on the steering wheel, m/s <sup>2</sup>	0.1
Vibration level in the seat, m/s <sup>2</sup>	0.2
<b>Cutting deck</b>	
Type	Combi 94i Combi 103i

<b>Cutting deck</b>	<b>Combi 94i</b>	<b>Combi 103i</b>
Cutting width, mm	940	1030
Width, mm	994	1081
Cutting deck motor output, kW	3x0.9	3x0.9
Cutting height, 10 positions, mm	25-75	25-75
Blade length, mm	359	389
<b>Blade</b>		
Article number	598 88 55-10	536 15 76-10



**WARNING:** To use a cutting deck that is not approved for the product can cause objects to eject at high speed and cause

serious injury. Do not use other cutting deck types than specified in this operator's manual.

## Radio frequency data

	<b>R 200iX</b>
Frequency range, MHz	2402-2480

<sup>4</sup> Noise emissions in the environment measured as sound power ( $L_{WA}$ ) in conformity with EC directive 2000/14/EC.

<sup>5</sup> Noise pressure level according to EN ISO 5395. Reported data for noise pressure level has a typical statistical dispersion (standard deviation) of 1.2 dB(A).

<sup>6</sup> Vibration level according to EN ISO 5395. Reported data for vibration level has a typical statistical dispersion (standard deviation) of 0.2 m/s<sup>2</sup> (steering wheel) and 0.8 m/s<sup>2</sup> (seat).

	<b>R 200IX</b>
Output power <sup>7</sup> , dBm	-7.0

## Approved batteries

Only use original batteries for this product.

<b>Battery</b>	<b>EM-5240Li</b>
Article number	598 84 43-01
Type	Lithium-ion
Battery capacity, Ah	38.5
Nominal voltage, V	50.4
Weight, kg/lbs	17/38

## Approved battery chargers

<b>Battery charger</b>	<b>PS 300C</b>
Input voltage, V	220–240
Input current, A	1.8
Frequency, Hz	50
Power, W	300
Output voltage, V	58
Output current, A	5.3

---

## Service

---

### Service

Do a yearly check at an authorized service center to make sure that the product functions safely and at its best during high season. The best time to do a servicing or overhaul of the product is low season.

When you send an order for the spare parts, give information about the purchase year, model, type, and serial number.

Always use original spare parts.

---

<sup>7</sup> Measured at 2402 MHz.

---

# Declaration of Conformity

---

## EU Declaration of Conformity

We, **Husqvarna AB**, SE-561 82 Huskvarna, Sweden, tel: +46-36-146500, declare on our sole responsibility that the product:

<b>Description</b>	Ride-on Lawn Mower
<b>Brand</b>	Husqvarna
<b>Type / Model</b>	R 200iX
<b>Identification</b>	Serial numbers dating from 2023 and onwards

complies fully with the following EU directives and regulations:

<b>Directive/Regulation</b>	<b>Description</b>
2006/42/EC	"relating to machinery"
2014/53/EU	"relating to radio equipment"
2000/14/EC	"relating to the noise emissions in the environment"
2011/65/EU	"on the restriction of the use of certain hazardous substances in electrical and electronic equipment"

and that the following standards and/or technical specifications are applied: EN ISO 12100:2010, EN ISO 13849-1:2015, EN ISO 13849-2:2012, EN ISO 5395-1:2013+A1:2018, EN ISO 5395-3:2013+A1:2017+A2:2018, EN ISO 14982:2009, EN 61000-6-2:2005, EN 61000-6-3:2007+A1:2011+AC:2012, ETSI EN 300 328 V2.2.2, ETSI EN 301 489-1 V1.9.2, ETSI EN 301 489-17 V3.2.4, EN 50665:2017, EN IEC 63000:2018 .



Notified Body: 0404, SMP Svensk Maskinprovning AB, Box 4053, SE-904 03 Umeå, Sweden has certified conformity with the council's directive 2000/14/EC, conformity assessment procedure: Annex VI.

For information relating to noise emissions, refer to *Technical data on page 35*.

Huskvarna, 2023-07-05

A handwritten signature in black ink, appearing to be 'Claes Losdal', written over a horizontal line.

Claes Losdal, Development Manager/Garden Products, Husqvarna AB

Responsible for technical documentation

# UK Declaration of Conformity

We, **Husqvarna AB**, SE-561 82 Huskvarna, Sweden, tel: +46-36-146500, declare on our sole responsibility that the product:

<b>Description</b>	Ride-on Lawn Mower
<b>Brand</b>	Husqvarna
<b>Type / Model</b>	R 200iX
<b>Identification</b>	Serial numbers dating from 2023 and onwards

complies fully with the following UK regulations:

<b>Description</b>
The Supply of Machinery (Safety) Regulations 2008
The Radio Equipment Regulations 2017
The Noise Emission in the Environment by Equipment for use Outdoors Regulations 2001, schedule 9
The Restriction of the Use of Certain Hazardous Substances in Electrical and Electronic Equipment Regulations 2012

and that the following standards and/or technical specifications are applied: EN ISO 12100:2010, EN ISO 13849-1:2015, EN ISO 13849-2:2012, EN ISO 5395-1:2013+A1:2018, EN ISO 5395-3:2013+A1:2017+A2:2018, EN ISO 14982:2009, EN 61000-6-2:2005, EN 61000-6-3:2007+A1:2011+AC:2012, ETSI EN 300 328 V2.2.2, ETSI EN 301 489-1 V1.9.2, ETSI EN 301 489-17 V3.2.4, EN 50665:2017, EN IEC 63000:2018 .

UK Importer:  
Husqvarna UK Ltd  
Preston Road, Co. Durham  
DL5 6UP

Notified body: 0404, SMP Svensk Maskinprovning AB, Box 4053, SE-904 03 Umeå, Sweden, has certified conformity with the council's directive 2000/14/EC, conformity assessment procedure: Annex VI.

For information relating to noise emissions, refer to *Technical data on page 35*.

Husqvarna, 2023-07-05



Claes Losdal, Development Manager/Garden Products, Husqvarna AB

Responsible for technical documentation

**UK  
CA**

---

## Registered trademarks

---

The *Bluetooth*<sup>®</sup> word mark and logos are registered trademarks owned by *Bluetooth SIG, inc.* and any use of such marks by Husqvarna is under license.