

RCA 20.0

STIHL



2 - 28	Gebrauchsanleitung
28 - 53	Instruction Manual
53 - 81	Notice d'emploi
81 - 107	Istruzioni d'uso
107 - 133	Handleiding



STIHL Hauptverwaltung

ANDREAS STIHL AG & Co. KG
Postfach 1771
D-71307 Waiblingen

STIHL Vertriebsgesellschaften

DEUTSCHLAND

STIHL Vertriebszentrale AG & Co. KG
Robert-Bosch-Straße 13
64807 Dieburg
Telefon: +49 6071 3055358

ÖSTERREICH

STIHL Ges.m.b.H.
Fachmarktstraße 7
2334 Vösendorf
Telefon: +43 1 86596370

SCHWEIZ

STIHL Vertriebs AG
Isenrietstraße 4
8617 Mönchaltorf
Telefon:+41 44 9493030

Contents

1	Introduction.....	28
2	Guide to Using this Manual.....	28
3	Overview.....	29
4	Safety Precautions.....	31
5	Preparing the pressure washer for operation	39
6	Charging the Battery, LEDs.....	39
7	Assembling the pressure washer.....	40
8	Connecting to a water source.....	41
9	Removing and Fitting the Battery.....	43
10	Switching the pressure washer on and off	43
11	Checking the pressure washer and battery	43
12	Working with the pressure washer.....	44
13	After Finishing Work.....	45
14	Transporting.....	46
15	Storing.....	46
16	Cleaning.....	47
17	Maintenance.....	48
18	Repairing.....	48
19	Troubleshooting.....	48
20	Specifications.....	50
21	Spare Parts and Accessories.....	51
22	Disposal.....	52
23	EC Declaration of Conformity.....	52
24	UKCA Declaration of Conformity.....	52

1 Introduction

Dear Customer,

Thank you for choosing STIHL. We develop and manufacture our quality products to meet our customers' requirements. The products are designed for reliability even under extreme conditions.

STIHL also stands for premium service quality. Our dealers guarantee competent advice and instruction as well as comprehensive service support.

STIHL expressly commit themselves to a sustainable and responsible handling of natural resources. This user manual is intended to help you use your STIHL product safely and in an environmentally friendly manner over a long service life.

We thank you for your confidence in us and hope you will enjoy working with your STIHL product.

Dr. Nikolas Stihl

IMPORTANT! READ BEFORE USING AND KEEP IN A SAFE PLACE FOR REFERENCE.

2 Guide to Using this Manual

2.1 Applicable documents

The local safety regulations apply.

- ▶ In addition to this User Manual, you should also read, understand and retain the following documents:
 - Safety information for STIHL batteries and products with built-in battery:
www.stihl.com/safety-data-sheets
 - User Manual and packaging of the accessory used
 - User Manual and packaging of the detergent used

2.2 Warning Notices in Text



- This notice refers to risks which result in serious or fatal injury.
 - ▶ Serious or fatal injuries can be avoided by taking the precautions mentioned.

! WARNING

- This notice refers to risks which **can** result in serious or fatal injury.
 - ▶ Serious or fatal injuries can be avoided by taking the precautions mentioned.

NOTICE

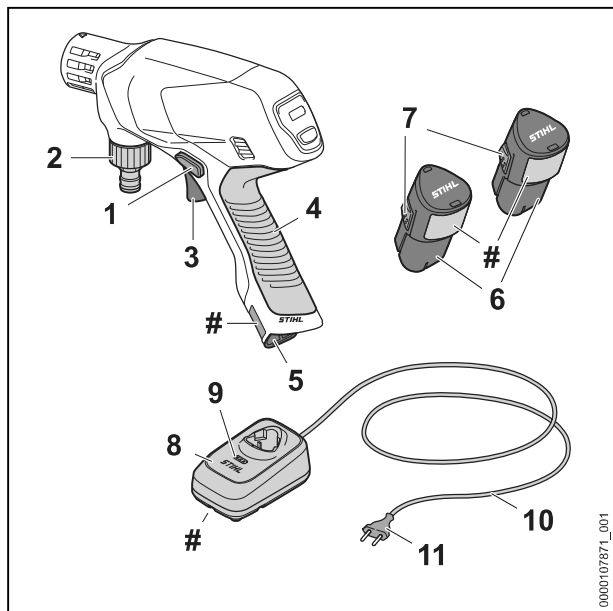
- This notice refers to risks which can result in damage to property.
 - ▶ Damage to property can be avoided by taking the precautions mentioned.

2.3 Symbols in Text

 This symbol refers to a chapter in this instruction manual.

3 Overview

3.1 Pressure washer

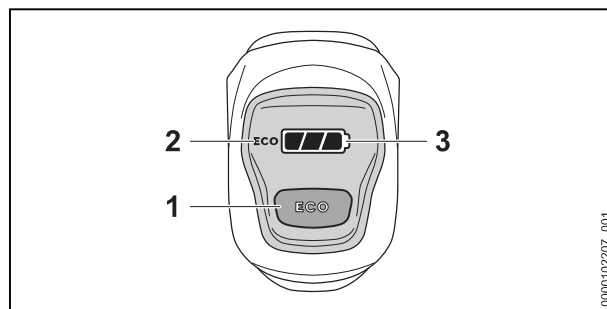



- 1 Locking slide**
The locking slide unlocks the trigger.
- 2 Connector**
The connector is used to connect the water hose.
- 3 Trigger**
The trigger switches the pressure washer on and off.
- 4 Control handle**
The control handle operates, holds and directs the pressure washer.
- 5 Battery compartment**
The battery compartment holds the battery.

- 6 Battery**
The battery supplies power to the pressure washer.
- 7 Locking hook**
The locking hook holds the battery in place in the battery compartment.
- 8 Charger**
The charger charges the battery.
- 9 LEDs**
The LEDs indicate the state of charge of the battery and any errors.
- 10 Connecting cable**
The connecting cable connects the charger to the mains plug.
- 11 Mains plug**
The mains plug connects the connecting cable with a socket.

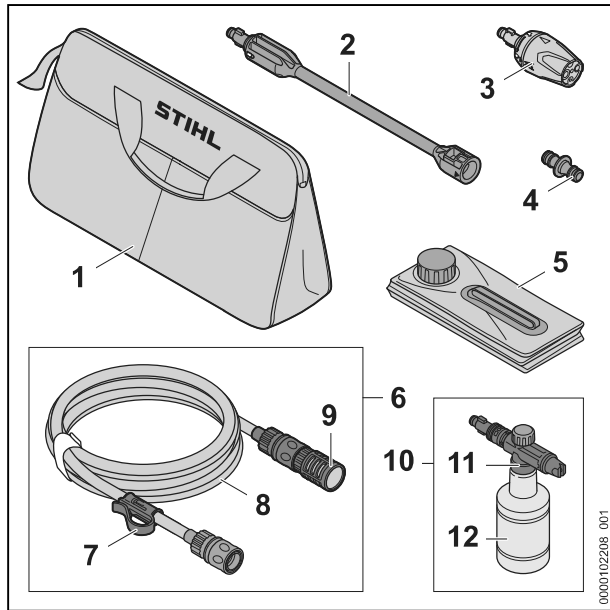
Rating plate with machine number

3.2 Control panel



- 1 Pushbutton ECO**
The pushbutton starts and stops the ECO mode.
- 2 Display ECO**
The display shows the ECO mode.
- 3 Display **
The display shows the state of charge of the battery and errors.

3.3 Accessories



1 Bag

The bag is used to transport and store the pressure washer, accessories, battery and charger.

2 Spray lance

The spray lance connects the pressure washer to the nozzle.

3 Multi-functional nozzle

The multi-functional nozzle consists of a fan-jet nozzle, a rotary nozzle, a narrow jet nozzle and a pouring nozzle.

4 Adapter

The adapter connects the water hose of the suction set to the water hose of the water network.

5 Folding canister

The folding canister acts as a water tank in suction mode.

6 Suction set

The suction set serves to draw water from the folding canister, rain barrels, cisterns, flowing or stagnant waters.

7 Clip

The clip secures the water hose and the suction cup in the folding canister against slipping out.

8 Water hose

The water hose connects the pressure washer to the water source.

9 Suction bell

The suction bell filters the incoming water.

10 Spraying set

The spraying set is used when cleaning with detergents.

11 Spray nozzle

The spray nozzle adds the detergent to the water.

12 Bottle

The bottle contains the detergent.

3.4 Symbols

Meaning of symbols that may be on the pressure washer, the accessory, the battery and the charger:



In this position, the fan-jet nozzle is set on the multinozzle.



In this position, the rotary nozzle is set on the multinozzle.



In this position, the narrow jet nozzle is set on the multinozzle.



In this position, the pouring nozzle is set on the multinozzle.



In this position the accessory is unlocked.



In this position the accessory is engaged.



This product is designed for use with a STIHL battery. Permissible batteries are listed in this User Manual.



Recharge this battery with a STIHL charger. Permissible chargers are listed in this User Manual.



Guaranteed sound power level in accordance with Directive 2000/14/EC in dB(A) for the purpose of comparing the sound emissions of products.



The information next to the symbol indicates the energy content of the battery according to the cell manufacturer's specification. The energy content available in operation is lower.



Operate the electrical device in an enclosed, dry room.



Do not dispose of the product with domestic waste.



Read and understand the User Manual and keep it in a safe place for reference.



These symbols indicate genuine STIHL spare parts and genuine STIHL accessories.

4 Safety Precautions

4.1 Warning Signs

4.1.1 Pressure washer

Meaning of warning symbols on the pressure washer:



Observe safety notices and take the necessary precautions.



Read and understand the User Manual and keep it in a safe place for reference.



Wear safety glasses.



Do not connect the pressure washer directly to the drinking water supply.



Remove the battery during work interruptions, transport, storage, maintenance or repair.

4.1.2 Battery

Meaning of warning symbols on the battery:



Observe safety notices and take the necessary precautions.



Read and understand the User Manual and keep it in a safe place for reference.



Protect the battery against heat and fire.



Do not immerse the battery in liquids.

4.1.3 Charger

Meanings of the warning signs on the charger:



Observe safety notices and take the necessary precautions.



Read and understand the User Manual and keep it in a safe place for reference.



Protect the charger from rain and dampness.

4.2 Intended Use

The STIHL RCA 20.0 pressure washer is used to clean the area around the house, e.g., garden furniture, bicycles, toys, barbecues, garbage cans and vehicles or for mobile cleaning.

The pressure washer is not suitable for commercial use.

The pressure washer must not be used in the rain.

The STIHL AS battery supplies power to the pressure washer.

This charger charges the STIHL AS:
STIHL ALS 31, AL 1, AL 5, AL 5-2 battery.

⚠ WARNING

- Using the pressure washer for purposes for which it is not designed may result in serious or fatal injuries or damage to property.
 - ▶ Use the pressure washer as described in this User Manual.

The STIHL RCA 20.0 pressure washer is not intended for the following applications:

- Cleaning asbestos cement and similar surfaces
- Cleaning surfaces painted or varnished with paints containing lead
- Cleaning surfaces which come into contact with foodstuffs

⚠ WARNING

- Batteries and chargers not explicitly approved by STIHL for the pressure washer may cause a fire or explosion. Persons may be seriously or fatally injured, and property may be damaged.
 - ▶ Use the pressure washer with a STIHL AS battery.
 - ▶ Charge the STIHL AS battery with these chargers: STIHL ALS 31, AL 1, AL 5, AL 5-2.
- Using the pressure washer, battery or the charger for purposes for which they were not designed may result in serious or fatal injuries and damage to property may occur.
 - ▶ Use the pressure washer, battery and charger as described in this User Manual.

4.3 Requirements for users

⚠ WARNING

- Users without adequate training or instruction cannot recognize or assess the risks involved in using the pressure washer, battery and charger. The user or other persons may sustain serious or fatal injuries.



- ▶ Read and understand the User Manual and keep it in a safe place for reference.

- ▶ If the pressure washer, battery or charger are passed on to another person: Always give them the User Manual.
- ▶ Make sure that the user meets the following conditions:
 - The user is rested.
 - This machine and the battery must not be used by persons (including children) with impaired physical, sensory or mental abilities or lack of experience and know-how.
 - The user can recognize and assess the hazards of the pressure washer and battery.
 - The user is an adult or is being trained in an occupation under supervision according to national regulations.
 - The user has received instruction from a STIHL authorized dealer or other experienced user before using the pressure washer for the first time.
 - The user is not under the influence of alcohol, medication or drugs.
- ▶ If you are unsure: Contact a STIHL authorized dealer.

4.4 Clothing and equipment

⚠ WARNING

- Objects can be thrown at high speed during operation. This may result in injury to the user.



- ▶ Wear close-fitting safety glasses. Suitable protective glasses tested in accordance with European standard EN 166, EN ISO 16321 or in accordance with national standards and bearing the corresponding label are available from retailers.
- ▶ Wear a long-sleeved, close-fitting top and long pants.
- Aerosols may be formed while working. Inhaling aerosols can be harmful to health and trigger allergic reactions.

- ▶ Carry out a risk assessment based on the surface to be cleaned and its surrounding environment.
- ▶ If the risk assessment shows that aerosols will be formed: Wear a class FFP2 or equivalent respirator mask.
- Wearing unsuitable footwear may cause the user to slip. This may result in injury to the user.
 - ▶ Wear sturdy, closed-toed footwear with non-slip soles.

4.5 Work Area and Surroundings

4.5.1 Pressure washer

⚠ WARNING

- Bystanders, children and animals cannot be aware of nor assess the dangers of the pressure washer and objects being thrown into the air. This may result in serious injury to bystanders, children and animals and damage to property.
 - ▶ Keep bystanders, children and animals away from the working area.
 - ▶ Do not leave the pressure washer unattended.
 - ▶ Make sure that children cannot play with the pressure washer.
- If you work in the rain or in a damp environment, an electric shock may occur. This can result in injuries to the user and may damage the pressure washer.
 - ▶ Do not use in rain.
 - ▶ Position pressure washer so that it does not get wet.
- Electrical components of the pressure washer can produce sparks. Sparks may cause fires and explosions in highly flammable or explosive environments. Persons may be seriously or fatally injured, and property may be damaged.
 - ▶ Do not work in a highly flammable or explosive environment.

4.5.2 Battery


⚠ WARNING

- Bystanders, children and animals cannot recognize or assess the dangers of the battery. Bystanders, children and animals may be seriously injured.
 - ▶ Keep bystanders, children and animals away from the work area.
 - ▶ Do not leave the battery unattended.

- ▶ Make sure that children cannot play with the battery.
- The battery is not protected against all ambient conditions. If the battery is exposed to certain ambient conditions, the battery may catch fire, explode or be irreparably damaged. This may result in serious injury to people and damage to property.



- ▶ Protect battery from heat and fire.
- ▶ Do not throw the battery into a fire.

- ▶ Do not charge, use and store the battery outside of the specified temperature limits,  20.5.



- ▶ Do not immerse the battery in liquids.

- ▶ Keep battery away from small metal parts.
- ▶ Do not expose the battery to high pressure.
- ▶ Do not expose the battery to microwaves.
- ▶ Protect the battery against chemicals and salts.

4.5.3 Charger


WARNING

- Bystanders and children are not aware of and cannot assess the dangers of a charger or electric current. Bystanders, children and animals may be seriously or fatally injured.
 - ▶ Keep bystanders, children and animals away from the work area.
 - ▶ Make sure that children cannot play with the charger.
- The charger is not waterproof. If you work in the rain or in a damp environment, an electric shock may occur. The user may be injured and the charger may be damaged.



- ▶ Do not operate it in the rain or in a damp environment.

- The charger is not protected against all ambient conditions. If the charger is exposed to certain ambient conditions, it may catch fire or explode. This may result in serious injury to people and damage to property.
 - ▶ Operate the charger in an enclosed, dry room.
 - ▶ Do not operate the charger in a flammable environment or in an explosive environment.
 - ▶ Do not operate the charger on a readily combustible surface.

- ▶ Do not use and store the charger outside of the specified temperature limits,  20.5.
- People may trip over the connecting cable. People may be injured and the charger may be damaged.
 - ▶ Lay the connecting cable flat on the floor.

4.6 Safe Condition

4.6.1 Pressure washer

The pressure washer is in a safe condition if the following points are observed:

- The pressure washer is undamaged.
- The handle, the couplings and the accessories are undamaged.
- The accessories are correctly installed.
- The pressure washer is clean.
- The accessories are clean.
- The controls function properly and have not been modified.
- Original STIHL accessories designed for this pressure washer are installed.

WARNING


- If not in safe condition, components may no longer operate correctly, and safety devices may be rendered ineffective. Persons may be seriously injured or killed.
 - ▶ Work only with an undamaged pressure washer.
 - ▶ Never use damaged couplings or accessories.
 - ▶ Mount accessories as described in this User Manual.
 - ▶ If the pressure washer is dirty: Clean the pressure washer.
 - ▶ If the accessories are dirty: Clean accessories.
 - ▶ If the battery compartment is moist or wet: Allow the battery compartment to dry.
 - ▶ Do not modify pressure washer.
 - ▶ If the controls do not function properly: Do not work with the pressure washer.
 - ▶ Install original STIHL accessories designed for this pressure washer.
 - ▶ Install accessories as described in this User Manual or in the User Manual for the accessories.
 - ▶ Never insert objects in the pressure washer's openings.
 - ▶ Replace worn or damaged warning signs.
 - ▶ If you are unsure: Contact a STIHL authorized dealer.

4.6.2 Battery

The battery is in a safe condition if the following points are observed:

- Battery is undamaged.
- The battery is clean and dry.
- Battery functions properly and has not been modified.

⚠ WARNING

- A battery that is not in a safe condition cannot operate safely. Persons may be seriously injured.
 - ▶ Never work with a damaged battery.
 - ▶ Never attempt to charge a damaged or defective battery.
 - ▶ If the battery is dirty: Clean the battery.
 - ▶ If the battery is wet or damp: Allow the battery to dry,  20.6.
 - ▶ Never attempt to modify the battery.
 - ▶ Never insert objects in the battery's openings.
 - ▶ Never bridge the battery's contacts with metallic objects (short circuit).
 - ▶ Do not open the battery.
 - ▶ Replace worn or damaged labels.
- Fluid may leak from a damaged battery. If that liquid comes into contact with the skin or eyes, the skin or eyes may be irritated.
 - ▶ Avoid contact with the liquid.
 - ▶ If skin contact occurs: Wash affected areas of skin with plenty of water and soap.
 - ▶ In the event of contact with eyes: Rinse eyes with plenty of water for at least 15 minutes and consult a doctor.
- A damaged or defective battery may smell unusual, emit smoke or burn. Persons may be seriously or fatally injured, and property may be damaged.
 - ▶ If the battery smells unusual or emits smoke: do not use the battery and keep it away from combustible substances.
 - ▶ If the battery catches fire: Attempt to extinguish the battery with a fire extinguisher or water.

4.6.3 Charger

The charger is in a safe condition if the following points are observed:

- Charger is undamaged.
- Charger is clean and dry.

⚠ WARNING

- If components do not comply with safety requirements, they will no longer function properly and safety devices may be rendered

inoperative. This can result in serious or fatal injuries.

- ▶ Do not use a damaged charger.
- ▶ If the charger is dirty or wet: Clean the charger and allow it to dry.
- ▶ Never attempt to modify the charger.
- ▶ Never insert objects in the charger's openings.
- ▶ Never bridge the charger's contacts with metallic objects (short circuit).
- ▶ Do not open the charger.

4.7 Working

⚠ WARNING

- In certain situations, the user may no longer be able to concentrate on their work. This may result in the user stumbling, falling and suffering serious injury.
 - ▶ Work calmly and methodically.
 - ▶ If light and visibility are poor: Do not work with the pressure washer.
 - ▶ Operate pressure washer alone.
 - ▶ Watch out for obstacles.
 - ▶ Work standing on the ground and keep your balance. If you have to work at a height: Use a mobile elevating work platform or a secure scaffolding.
 - ▶ If you start feeling fatigue: Take a break.
- If the behavior of the pressure washer changes during operation or feels unusual, it may no longer be in a safe condition. This may result in serious injury to people and damage to property.
 - ▶ Stop working, remove the battery and contact a STIHL authorized dealer.
 - ▶ To ensure an adequate exchange of cooling air, do not cover the pressure washer.
- When the trigger is released, the high-pressure pump switches off automatically and water stops flowing out of the nozzle. The pressure washer is then in stand-by mode and is still switched on. If the trigger is squeezed, the high-pressure pump switches on again automatically and water flows out of the nozzle. This may result in serious injury to people and damage to property.
 - ▶ When not operating the machine: Lock the trigger.
 - ▶ Remove the battery.
- At temperatures below 0 °C, water can freeze on the surface to be cleaned and in the components of the pressure washer. The user may slip, fall and be seriously injured. Damage to property may occur.

- ▶ Do not use your pressure washer at temperatures below 0°C.
- If working at a height, the pressure washer or the accessories may fall to the ground. This may result in serious injury to people and damage to property.
 - ▶ Use a work platform or a secure scaffolding.
 - ▶ Secure the pressure washer and accessories against falling down.
- The water jet may detach asbestos fibers from surfaces. Asbestos fibers may spread through the air after drying and be breathed in. Breathing in asbestos fibers can be harmful to health.
 - ▶ Do not clean surfaces containing asbestos.
- The water jet may remove oil from vehicles or machinery. The oily water may enter the soil, the water system or the drains. That would create an environmental hazard.
 - ▶ Vehicles or machinery should only be cleaned at places where there is an oil trap in the water drain.
- In combination with leaded paint the water jet can form leaded aerosols and leaded water. Leaded aerosols and leaded water may enter the soil, the water system or the drains. Inhaling aerosols can be harmful to health and trigger allergic reactions. That would create an environmental hazard.
 - ▶ Do not clean surfaces that are painted or lacquered with leaded paint.
- The water jet can damage sensitive surfaces. Damage to property may occur.
 - ▶ Do not clean sensitive surfaces with the rotary nozzle.
 - ▶ Sensitive surfaces made of rubber, fabric, wood and similar materials should be cleaned at a lower operating pressure and from a greater distance.
- If while in use the multi-functional nozzle is immersed in dirty water and then operated, the multi-functional nozzle may be damaged.
 - ▶ Do not use the multi-functional nozzle in dirty water.
 - ▶ If cleaning a container: Empty the container and allow the water to flow away while cleaning it.
- Easily combustible and explosive liquids that are sucked in can cause fires and explosions. Persons may be seriously or fatally injured, and property may be damaged.
 - ▶ Do not draw in or spread easily combustible or explosive liquids.
- Drawing in irritating, corrosive and toxic liquids can endanger health and damage components of the pressure washer. Persons may be seriously or fatally injured, and property may be damaged.
 - ▶ Do not suck in or spread irritating, caustic or toxic liquids.
- The strong water jet can seriously injure people and animals and cause damage to property.
 - ▶ Do not direct the water jet at people and animals.
 - ▶ Do not direct the water jet at places that are not fully visible.
 - ▶ Do not use the water jet to clean clothing while wearing it.
 - ▶ Do not use the water jet to clean shoes or boots while wearing them.
- If electrical equipment, electrical connections, sockets and live power cords come into contact with water, electric shock may result. Persons may be seriously or fatally injured, and property may be damaged.
 - ▶ Do not direct the water jet at electrical systems, electrical connections, sockets and live cables.
- If electrical appliances come into contact with water, electric shock may result. The user may be seriously injured or killed, and property may be damaged.
 - ▶ Do not direct the water jet at electrical appliances.
 - ▶ Keep electrical appliances from the working area.
- An incorrectly routed water hose may suffer damage and people may trip over it. People may be injured and the water hose may be damaged.
 - ▶ Do not direct the water jet at the water hose.
 - ▶ Route and mark the water hose so that people will not trip over it.
 - ▶ Route the water hose so that it is not under tension or tangled.
 - ▶ Route the water hose so that it will not be damaged, kinked or crushed, or chafed.
 - ▶ Protect the water hose from heat, oil and chemicals.
- The strong water jet produces reactive forces. The user may lose control of the pressure washer due to the reaction forces that occur. The user may be seriously injured and property damage may occur.
 - ▶ Hold the pressure washer securely.
 - ▶ Work as described in this User Manual.

4.8 Detergents

⚠ WARNING

- If detergents come into contact with the skin or eyes, the skin or eyes may be irritated.
 - ▶ Observe the user manual for the detergent.
 - ▶ Avoid contact with detergents.
 - ▶ If skin contact occurs: Wash affected areas of skin with plenty of water and soap.
 - ▶ In the event of contact with eyes: Rinse eyes with plenty of water for at least 15 minutes and consult a doctor.
- Using the wrong or inappropriate detergent can damage the pressure washer or the surface of the object being cleaned and be harmful to the environment.
 - ▶ STIHL recommends the use of genuine STIHL detergents.
 - ▶ Observe the user manual for the detergent.
 - ▶ If you are unsure: Contact a STIHL authorized dealer.

4.9 Connecting the water supply

⚠ WARNING

- Releasing the spray gun trigger causes a kickback in the water hose. A kickback can force dirty water back into the drinking water main. This can pollute the drinking water.



- ▶ Do not connect the pressure washer directly to the drinking water supply.
- ▶ Observe the regulations of the water supply company. If required, use proper system separation (e.g., backflow preventer) when connecting to the drinking water system.
- Dirty or sandy water can damage components of the pressure washer.
 - ▶ Use clean water.
 - ▶ If using dirty or sandy water: Use a STIHL suction set with integrated water filter with the pressure washer.
- If the water supply to the pressure washer is insufficient, components of the pressure washer may be damaged.
 - ▶ Turn tap fully on.
 - ▶ Make sure there is a sufficient supply of water to the pressure washer, 20.

4.10 Charging

⚠ WARNING

- A damaged or defective charger may produce an unusual smell or emit smoke during the

charging process. This may result in personal injuries and damage to property.

- ▶ Disconnect the plug from the wall outlet.
- The charger can overheat and cause a fire if heat dissipation is inadequate. This can result in serious or fatal injuries and damage to property.
 - ▶ Do not cover the charger.

4.11 Connecting to the power supply

Contact with live components may occur for the following reasons:

- The connecting cable or the extension cord is damaged.
- The mains plug of the connecting cable or extension cord is damaged.
- The socket is not properly installed.

⚠ DANGER

- Contact with live parts may result in electric shock. This may result in serious or fatal injury to the user.
 - ▶ Make sure that the connecting cable, extension cord and their mains plugs are undamaged.



If the connecting cable or the extension cord is damaged:

- ▶ Do not touch the damaged area.
- ▶ Disconnect the mains plug from the power supply.
- ▶ Make sure your hands are dry before touching the connecting cable, extension cord or mains plugs.
- ▶ Plug the mains plug of the connecting cable or extension cord into a properly installed, shockproof socket with the correct fuse rating.
- ▶ Install the charger with a ground fault circuit interrupter (30 mA, 30 ms).
- A damaged or unsuitable extension cable can result in electric shock. There is a risk of serious or fatal injury.
 - ▶ Use an extension cable with the correct cable cross-section, 20.4.

⚠ WARNING

- Overvoltage can occur in the charger if the line voltage or frequency are incorrect during charging. The charger may be damaged.
 - ▶ Make sure that the mains voltage and the mains frequency of the power supply match the data on the rating plate of the charger.
- If the charger is connected to a power strip, electrical components may be overloaded during the charging process. The components may overheat and cause a fire. Persons may

be seriously or fatally injured, and property may be damaged.

- ▶ Ensure that the technical specifications for the power strip are not exceeded by the information on the rating plate of the charger and of all electrical devices connected to the power strip.
- An incorrectly routed connecting cable or extension cord may be damaged, and people may trip over it. People may be injured, and the connecting cable or extension cord may be damaged.
 - ▶ Route and mark the connecting cable and extension cord so that people will not trip over them.
 - ▶ Route the connecting cable and extension cord so that they are not under tension or tangled.
 - ▶ Route the connecting cable and extension cord so that they will not be damaged, kinked or crushed and will not be chafed.
 - ▶ Protect the connecting cable and extension cord from heat, oil and chemicals.
 - ▶ Lay the connecting cable and extension cord on a dry surface.
- The extension cable warms up in operation. If that heat cannot escape, it may cause a fire.
 - ▶ If using a cable reel: completely unroll the cable reel.
- If wiring and pipes are laid in the wall, they may be damaged if the charger is mounted on the wall. Contact with wiring can result in electric shock. This may result in serious injury to people and damage to property.
 - ▶ Make sure there is no wiring or pipes in the wall at the proposed mounting site.
- If the charger is not mounted on the wall as described in this User Manual, the charger or the battery may fall or the charger may overheat. This may result in injury to people and damage to property.
 - ▶ Mount the charger on a wall as described in this User Manual.
- If the charger is mounted on a wall with the battery inserted, the battery may fall out of the charger. This may result in injury to people and damage to property.
 - ▶ Mount the charger on the wall first before inserting the battery.

4.12 Transporting

4.12.1 Pressure washer

⚠ WARNING

- The pressure washer may tip over or shift during transport. People may be injured or property may be damaged.
 - ▶ Lock trigger.



- ▶ Remove the battery.
- ▶ Transport the pressure washer in the bag supplied.
- Water can freeze in pressure washer components at temperatures below 0°C. This can result in damage to the pressure washer.
 - ▶ Empty pressure washer and accessories.

4.12.2 Battery

⚠ WARNING

- The battery is not protected against all ambient conditions. The battery may be damaged if it is exposed to certain ambient conditions, and damage to property may occur.
 - ▶ Never transport a damaged battery.
 - ▶ If a bag is supplied: Transport the battery in the bag supplied.
- The battery may turn over or shift during transport. This may result in injury to people and damage to property.
 - ▶ Pack the battery in packaging in such a way that it cannot move.
 - ▶ Secure the packaging so that it cannot move.

4.12.3 Charger

⚠ WARNING

- The charger can turn over or move while being transported. This may result in personal injuries and damage to property.
 - ▶ Disconnect the plug from the wall outlet.
 - ▶ Remove the battery.
 - ▶ Transport the charger in the bag supplied.
 - ▶ If no bag is supplied with the charger: Secure the charger with lashing straps, belts or a net to prevent it turning over and moving.
- The connecting cable must not be used for carrying the charger. The connecting cable and the charger may be damaged.
 - ▶ Wind up the connecting cable and attach it to the charger.

4.13 Storing

4.13.1 Pressure washer

⚠ WARNING

- Children are not aware of and cannot assess the dangers of the pressure washer. Children may be seriously injured.

- ▶ Lock trigger.



- ▶ Remove the battery.

- ▶ Store the pressure washer out of the reach of children.

- Moisture may cause the electrical contacts on the pressure washer and metal components to corrode. This can result in damage to the pressure washer.



- ▶ Remove the battery.

- ▶ Store the pressure washer in a clean and dry condition.

- Water can freeze in pressure washer components at temperatures below 0°C. This can result in damage to the pressure washer.

- ▶ Empty pressure washer and accessories.

4.13.2 Battery

⚠ WARNING

- Children are not aware of and cannot assess the dangers of the battery. Children may be seriously injured.

- ▶ Store the battery out of the reach of children.

- The battery is not protected against all ambient conditions. If the battery is exposed to certain ambient conditions, the battery may be irreparably damaged.

- ▶ Store the battery in a clean and dry condition.

- ▶ Store the battery in an enclosed space.

- ▶ Store battery separately from pressure washer.

- ▶ If the battery is stored in the charger, disconnect the mains plug and store the battery at a state of charge between 40% and 60% (2 lit green LEDs).

- ▶ Do not store the battery outside of the specified temperature limits, 20.5.

4.13.3 Charger

⚠ WARNING

- Children are not aware of and cannot assess the dangers of a charger. Children can be seriously injured or killed.

- ▶ Disconnect the plug from the wall outlet.
- ▶ Store the charger out of reach of children.

- The charger is not protected against all ambient conditions. If the charger is exposed to certain ambient conditions, the charger may be damaged.

- ▶ Disconnect the plug from the wall outlet.

- ▶ If the charger is hot: Allow the charger to cool down.

- ▶ Store the charger in a clean, dry place.

- ▶ Store the charger in an enclosed room.

- ▶ Do not store the charger outside of the specified temperature limits, 20.5.

- The connecting cable should not be used for carrying the charger or hanging up the charger. The connecting cable and the charger may be damaged.

- ▶ Hold the charger by the housing in a secure grip. The charger is provided with a handle recess to make it easy to pick up the charger.

- ▶ Hang the charger on the wall mounting.

4.14 Cleaning, maintenance and repair

⚠ WARNING

- The pressure washer may start up unintentionally if the battery is left in place during cleaning, maintenance or repair operations. This may result in serious injury to people and damage to property.

- ▶ Lock trigger.



- ▶ Remove the battery.

- Harsh detergents, cleaning with a water jet or pointed objects can damage the pressure washer, the battery and the charger. If the pressure washer, the battery or the charger is not cleaned correctly, components may no longer function properly or safety devices may be rendered inoperative. People may suffer serious injuries as a result.

- ▶ Clean the pressure washer, battery and charger as described in this User Manual.

- If the pressure washer, battery or charger are not serviced or repaired correctly, components













may no longer function properly, or safety devices may be rendered inoperative. Persons may be seriously injured or killed.

- ▶ Do not attempt to service or repair the pressure washer, battery or charger.
- ▶ If the pressure washer, battery or the charger require servicing or repairs: Contact a STIHL authorized dealer.

5 Preparing the pressure washer for operation

5.1 Preparing the pressure washer for operation

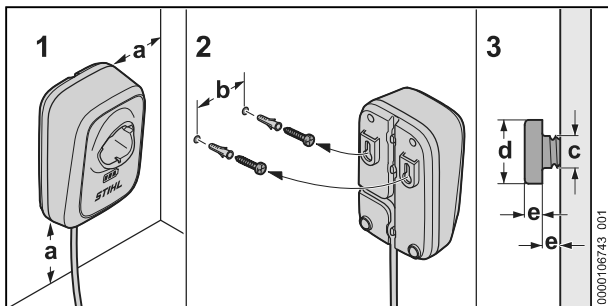
The following steps must be performed before commencing work:

- ▶ Ensure that the following components are in a safe condition:
 - Pressure washer and hose coupling,  4.6.1.
 - Battery,  4.6.2.
 - Charger,  4.6.3.
- ▶ Check the battery,  11.2.
- ▶ Fully charge the battery,  6.2.
- ▶ Clean the pressure washer,  16.1.
- ▶ If using the STIHL suction set: Check the water filter for dirt and clean it if it is dirty,  16.4.
- ▶ If a spray lance is used: Attach spray lance,  7.1.1.
- ▶ If using a nozzle: Attach the nozzle,  7.2.1.
- ▶ If using a detergent: Working with detergent,  12.4.
- ▶ Connect water supply,  8.
- ▶ Check the controls,  11.1.
- ▶ If you cannot carry out these steps: Do not use the pressure washer and contact a STIHL authorized dealer.

6 Charging the Battery, LEDs


6.1 Mounting the charger on a wall

The charger can be mounted on a wall.



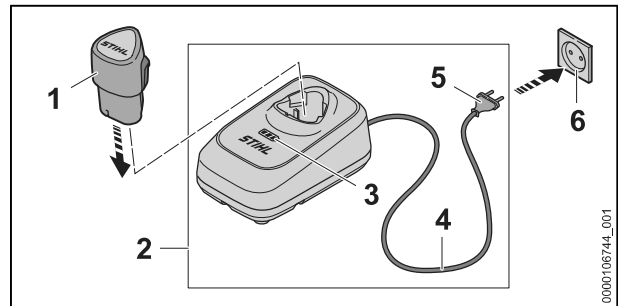
- ▶ Check the following points when mounting the charger on a wall:
 - Use suitable mounting materials.
 - The charger is level.
 The following dimensions are observed:
 - a = at least 100 mm
 - b = 54 mm
 - c = 4.5 mm
 - d = 9 mm
 - e = 2.5 mm

6.2 Charging the battery

The charging time depends on various factors, e.g. the battery temperature or the ambient temperature. For optimal performance, note the recommended temperature ranges,  20.6. The actual charging time may vary from the charging time indicated. The charging time is indicated at www.stihl.com/charging-times.

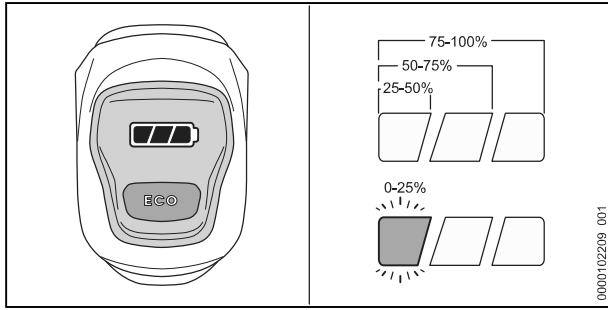
The charging process starts automatically when the mains plug is plugged into a socket and the battery is inserted into the charger. The charger switches off automatically when the battery is fully charged.

The battery and the charger warm up during charging.



- ▶ Insert the mains plug (5) in a convenient power outlet (6).
The charger (2) starts and runs a self test. The LEDs (3) light up green for about 1 second.
- ▶ Fit the connecting cable (4) in place.
- ▶ Insert the battery (1) in the guides in the charger (2) and press it home as far as stop. The LEDs (3) light up or flash green. The battery (1) is being charged.
- ▶ When all LEDs (1) light up steady green: The battery (1) is now fully charged and can be removed from the charger (2). The brightness of the LEDs (3) will decrease after about 5 minutes.
- ▶ If the charger (2) is no longer being used: Disconnect the mains plug (5) from the socket (6).

6.3 Displaying the state of charge



- ▶ Insert the battery.
- ▶ Briefly pull the trigger on the pressure washer and then let it go. The LEDs light up or flash.
- ▶ If the left LED flashes green: Charge the battery.

6.4 LEDs on the pressure washer

The LEDs can indicate the state of charge of the battery or any errors. The LEDs can may light up steady or flash in green or red.

If the LEDs light up or flash green, the state of charge of the battery is indicated.

- ▶ If the right LED lights up or flashes red: Troubleshooting, [19.1](#). There is an error in the pressure washer or battery.

6.5 LED on charger

The LED indicates the operating status of the charger or faults. The LED can glow or flash green, orange or red.

If the LED glows or flashes green, the battery is being charged.

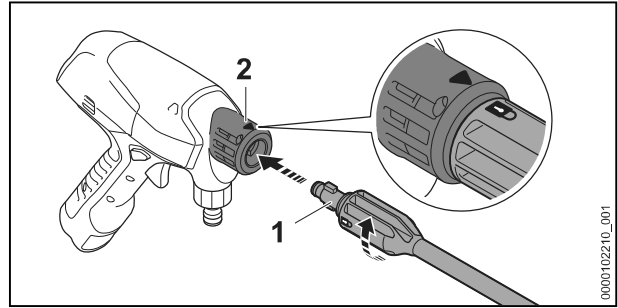
- ▶ If the LED lights up or flashes red or orange: Troubleshooting, [19](#). There is an error in the charger or battery.

7 Assembling the pressure washer

7.1 Attaching and removing the spray lance

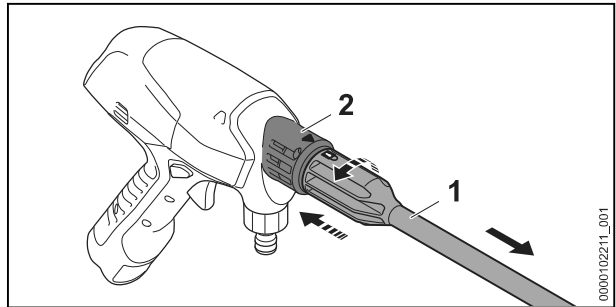
7.1.1 Attaching the spray lance

The spray lance can be attached to the pressure washer depending on the application by the user.



- ▶ Push spray lance (1) into the pressure washer (2).
- ▶ Twist the spray lance (1) until it engages. The arrow on the pressure washer aligns with the lock on the spray lance.
- ▶ If the spray lance (1) is difficult to push into the pressure washer (2): Grease the gasket on the spray lance (1) with a suitable grease for fittings.

7.1.2 Removing the spray lance

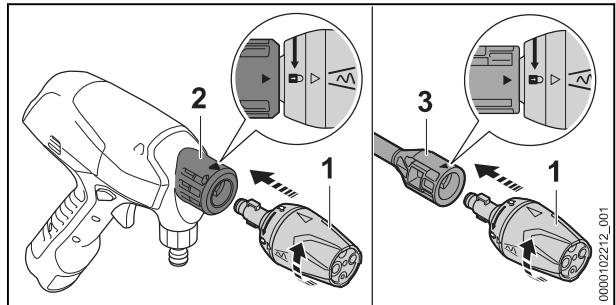


- ▶ Press spray lance (1) and pressure washer (2) together and turn until limit stop.
- ▶ Pull spray lance (1) and pressure washer (2) apart.

7.2 Attaching and removing the nozzle

7.2.1 Attaching the nozzle

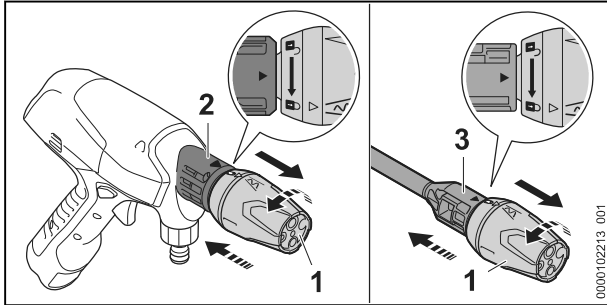
The nozzle can be attached to the pressure washer or the spray lance.



- ▶ If a spray lance is to be used: Attach spray lance.
- ▶ Push nozzle (1) into the pressure washer (2) or spray lance (3).

- ▶ Turn the nozzle (1) until it engages. The arrow on the pressure washer or the spray lance aligns with the lock on the nozzle.
- ▶ If the nozzle (1) cannot be pushed easily into the pressure washer (2) or the spray lance (3): Grease the gasket on the nozzle (1) with grease for fittings.

7.2.2 Removing the nozzle



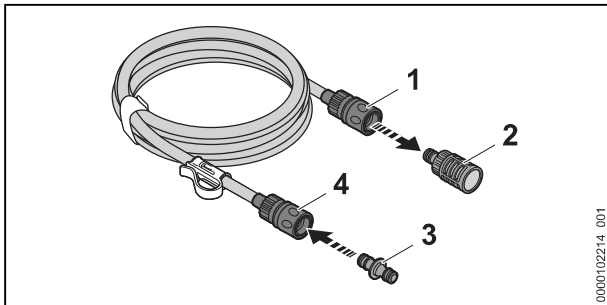
- ▶ Press nozzle (1) and pressure washer (2) together and turn until the limit stop. The arrow on the pressure washer aligns with the lock on the nozzle.
- ▶ If a spray lance is used: Press nozzle (1) and spray lance (3) together and turn until the limit stop. The arrow on the spray lance aligns with the lock on the nozzle.
- ▶ Pull out the nozzle (1).

8 Connecting to a water source

8.1 Connecting the pressure washer to the water supply

Preparing suction set

The water hose of the suction set is flexible. For improved handling during operation, connect the water hose of the suction set to the pressure washer.



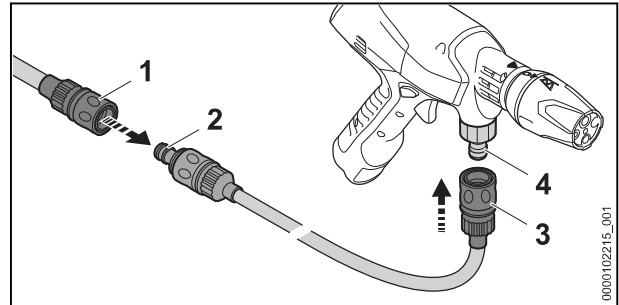
- ▶ In order to pull off the suction bell, unlock the coupling: Pull the ring (1) or twist and hold it.
- ▶ Pull the suction bell (2) from the coupling.
- ▶ Push adapter (3) into the coupling (4).

The adapter (3) engages in position with an audible click.

Connecting the water hose

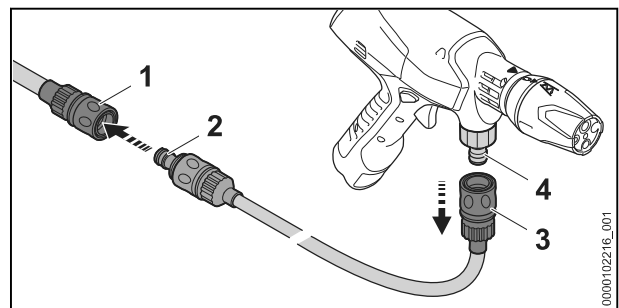
The water hose must meet the following requirements:

- The water hose has a diameter of 1/2".
- The water hose is between 10 m and 25 m long.
- ▶ Connect the water hose to a tap.



- ▶ Push coupling (1) of water hose onto the adapter (2) of the suction set. The coupling (1) engages with an audible click.
- ▶ Turn on the water tap fully and flush the water hose with water. Sand and dirt will be flushed out of the water hose. The water hose will be vented.
- ▶ Turn off tap.
- ▶ Push the coupling (3) onto the connector (4). The coupling (3) engages with an audible click.
- ▶ Turn tap fully on.
- ▶ Hold pressure washer downward.
- ▶ Switch on pressure washer and press the trigger until a uniform water jet flows out of the nozzle.
- ▶ Release the trigger.
- ▶ Lock the locking slide.

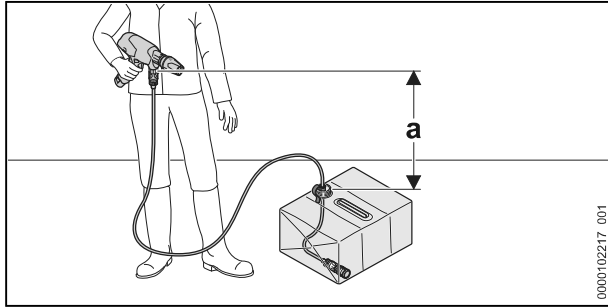
Removing the water hose



- ▶ Turn off tap.
- ▶ To unlock the coupling: Pull the ring (1 and 3) or twist and hold it.
- ▶ Pull the coupling off the connector (4) and adapter (2).

8.2 Using pressure washer with folding canister

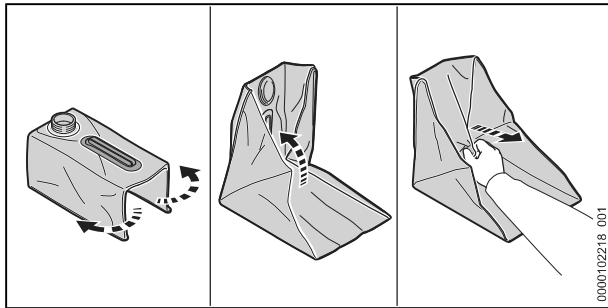
The pressure washer can be used with the folding canister for mobile use.



So that the water can be drawn in, the height difference between the pressure washer and the water source must not exceed the max. suction lift (a), 20.

The appropriate STIHL suction set must be used. The suction set includes a water hose with a special coupling and an integrated water filter.

Folding out the folding canister



- ▶ Unscrew and remove cover.
- ▶ Fold out the folding canister.
- ▶ Diagonally pull out the double bottom upward. The folding canister fully unfolds.
- ▶ Fold out the edges by hand.

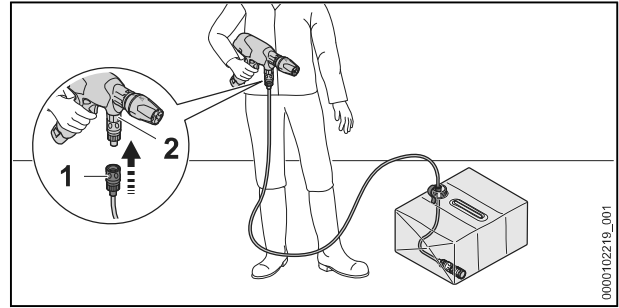
Filling the folding canister

The folding canister must be filled with clean water before mobile use.

- ▶ Place the folding canister on the ground so that it cannot tip over.
- ▶ Fill the folding canister with a maximum of 15 l of clean water.
- ▶ Attach the cover and tighten it securely by hand.
The folding canister is closed.

Connecting suction set

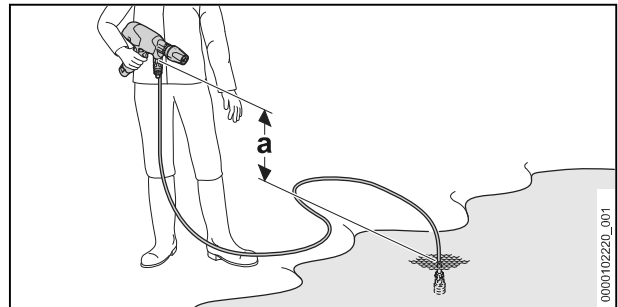
- ▶ Place the folding canister on the ground so that it cannot tip over.
- ▶ Unscrew and remove cover.



- ▶ Push the coupling (1) onto the connector (2). The coupling (1) engages with an audible click.
- ▶ Insert the suction bell (3) into the folding canister in such a way that the suction bell (3) is at the lowest point.
- ▶ Align clip (4) to the water hose and insert into the opening of the folding canister.
- ▶ Hold pressure washer downward.
- ▶ Switch on pressure washer and press the trigger until a uniform water jet flows out of the nozzle.
- ▶ Release the trigger.
- ▶ Lock the locking slide.

8.3 Using pressure washer from an alternative water source

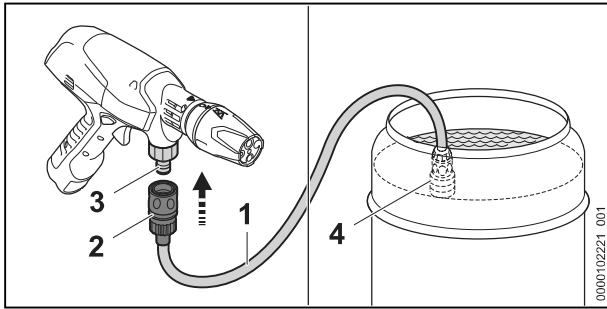
The pressure washer can draw in water from water barrels, storage tanks and flowing or still water bodies.



So that the water can be drawn in, the height difference between the pressure washer and the water source must not exceed the max. suction lift (a), 20.

The appropriate STIHL suction set must be used. The suction set includes a water hose with a special coupling and an integrated water filter.

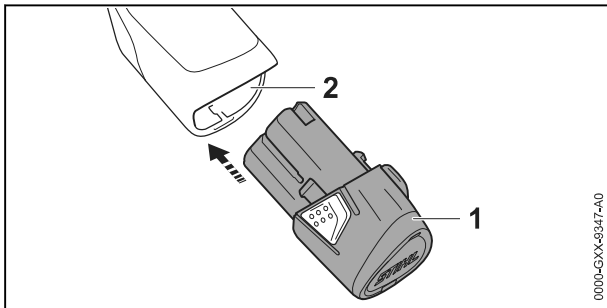
Connecting suction set



- ▶ Fill the water hose (1) with water so that no air is present any longer in the water hose.
- ▶ Push the coupling (2) onto the connector (3). The coupling (2) engages with an audible click.
- ▶ Attach the suction bell (4) to the water source so that the suction bell (4) does not touch the ground.
- ▶ Hold pressure washer downward.
- ▶ Switch on pressure washer and press the trigger until a uniform water jet flows out of the nozzle.
- ▶ Release the trigger.
- ▶ Lock the locking slide.

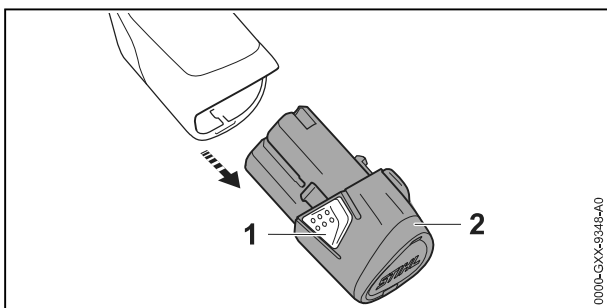
9 Removing and Fitting the Battery

9.1 Fitting the Battery



- ▶ Push the battery (1) into the battery compartment (2) as far as stop. The battery (1) engages in position with a click.

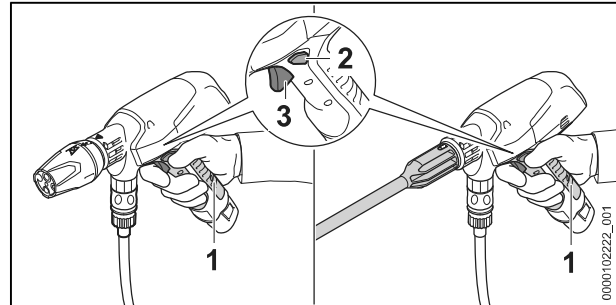
9.2 Removing the Battery



- ▶ Depress both locking hooks (1). The battery (2) is unlocked and can be removed.

10 Switching the pressure washer on and off

10.1 Switching on pressure washer



- ▶ Hold the pressure washer firmly with one hand on the grip area (1) of the control handle so that your thumb wraps around the control handle.
- ▶ Press locking slide (2) into the middle position. The trigger is unlocked.
- ▶ Press and hold the trigger (3) with your index finger. The high-pressure pump starts up automatically and water flows out of the nozzle.

10.2 Switching off pressure washer

- ▶ Release the trigger. The high-pressure pump switches off automatically and water stops flowing out of the nozzle. The pressure washer is still switched on.
- ▶ Press the locking slide outward. The trigger is locked.
- ▶ If the high-pressure pump is still switched on and water continues to flow out of the nozzle: Remove the battery and consult a STIHL authorized dealer. The pressure washer is defective.

11 Checking the pressure washer and battery

11.1 Checking the controls

Locking slide and trigger

- ▶ Remove the battery.
- ▶ Lock the locking slide.
- ▶ Try squeezing the trigger.
- ▶ If the trigger can be pressed: Do not use the pressure washer and contact a STIHL authorized dealer. The locking slide is defective.
- ▶ Unlock locking slide.

- ▶ Press and release the trigger.
- ▶ If the trigger is stiff or does not spring back to its idle position: Do not use the pressure washer and contact a STIHL authorized dealer.
The trigger is defective.

Switching on pressure washer

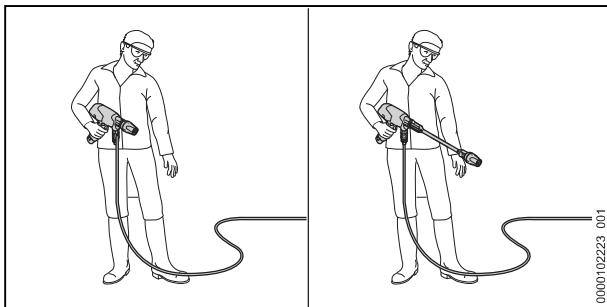
- ▶ Insert the battery.
- ▶ Unlock locking slide.
- ▶ Press and hold the trigger.
The high-pressure pump starts up automatically and water flows out of the nozzle.
- ▶ If the right LED is flashing red: Remove the battery and consult a STIHL authorized dealer.
There is an error in the pressure washer.
- ▶ Release the trigger.
The high-pressure pump switches off automatically and water stops flowing out of the nozzle. The pressure washer is still switched on.
- ▶ If the high-pressure pump is still switched on and water continues to flow out of the nozzle: Remove the battery and consult a STIHL authorized dealer.
The pressure washer is defective.

11.2 Checking the battery

- ▶ Insert the battery.
- ▶ Briefly pull the trigger on the pressure washer and then let it go.
LEDs light up.
- ▶ If the LEDs do not light up: Do not use the pressure washer and battery and contact a STIHL authorized dealer.
There is an error in the pressure washer or battery.

12 Working with the pressure washer

12.1 Holding and guiding the pressure washer



- ▶ Hold and guide the pressure washer firmly with one hand on the grip area of the control handle so that your thumb wraps around the control handle.

- ▶ Point the nozzle at the ground.

12.2 ECO mode

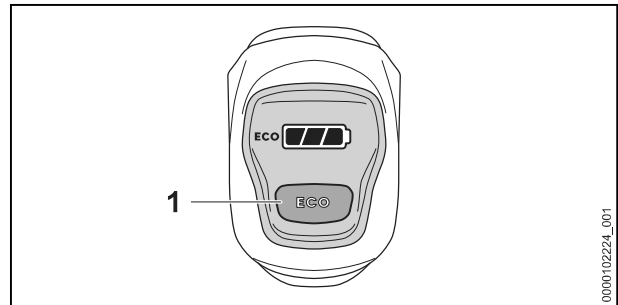
If the ECO mode is switched on, the pressure washer cleans with reduced operating pressure. The battery running time is extended.

The operating pressure can be set according to use.

Work can be carried out with a normal operating pressure if stubborn dirt is to be removed.

Low operating pressure can be used when removing soiling from sensitive surfaces.

Switching on ECO Mode

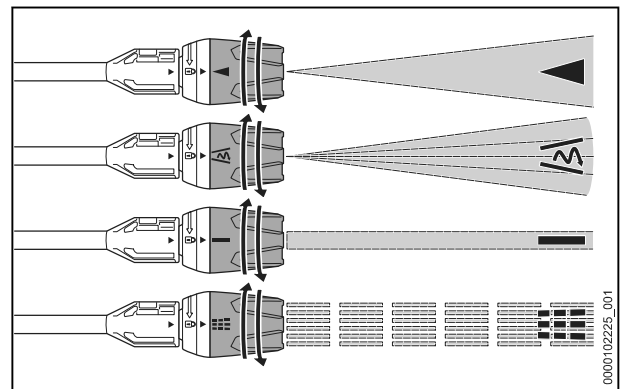


- ▶ Press the ECO pushbutton (1).
The **ECO** display lights up. The ECO mode is switched on.


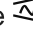
Switching off ECO Mode

- ▶ Press the ECO pushbutton (1).
The **ECO** display goes out. The ECO mode is switched off.

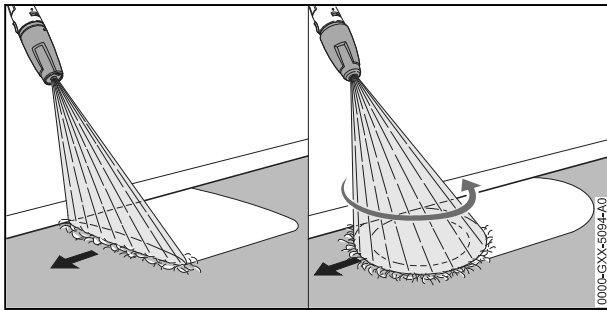
12.3 Cleaning



The multi-functional nozzle can be set according to the application:

- The fan-jet nozzle  is suitable for cleaning light and medium soiling.
- The rotary nozzle  is suitable for extensive cleaning of stubborn dirt on resistant surfaces.

- The narrow jet nozzle — is suitable for selective cleaning of stubborn dirt on resistant surfaces.
- The pouring nozzle ☐☐☐ is suitable for cleaning loose dirt and for watering plants.
 - ▶ Before cleaning, point the water jet at an inconspicuous spot on the surface and check that the surface is not damaged.
 - ▶ Select the distance between the nozzle and the surface to be cleaned so that the surface to be cleaned is not damaged.
 - ▶ Adjust the multi-functional nozzle so that the surface to be cleaned is not damaged.
 - ▶ Only adjust the multi-functional nozzle if the trigger is not pressed.



- ▶ Move the pressure washer evenly along the surface to be cleaned.
- ▶ Walk forward slowly and steadily.

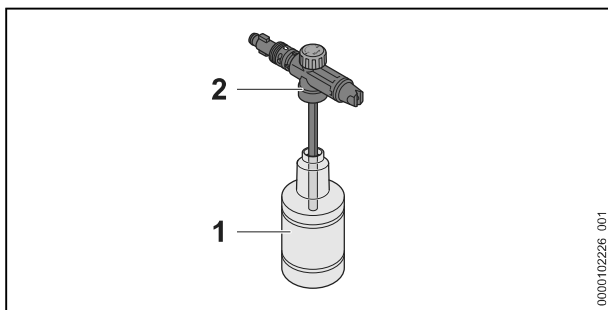
For optimum performance, note the recommended temperature ranges, 20.6.

12.4 Working with detergent

Detergents can increase the cleaning effect of the water. The use of the STIHL spraying set is required for working with cleaning agents.

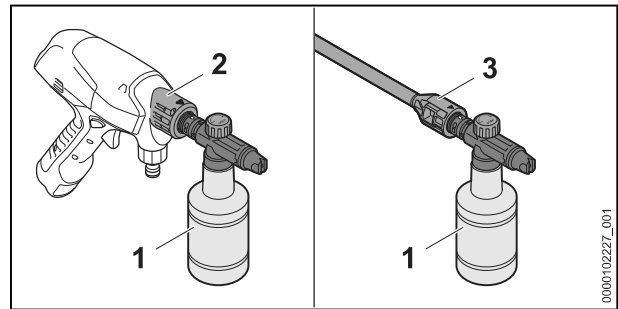
Soak extremely dirty surfaces with water before cleaning them.

Suction of detergent



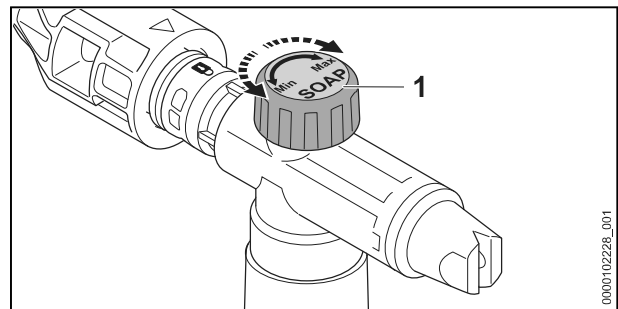
- ▶ Dispense and use cleaning agent as described in the User Manual for the cleaning agent.
- ▶ Fill the bottle (1) with maximum 350 ml of the detergent.
- ▶ Screw the spray nozzle (2) onto the bottle (1) and tighten securely by hand.

Attaching spraying set



- ▶ If a nozzle is attached: Remove the nozzle.
- ▶ Attach the spraying set (1) to the pressure washer (2) or the spray lance (3).

Setting the detergent concentration



To increase amount of consumed detergent:

- ▶ Turn rotary control (1) toward Max.

To decrease amount of consumed detergent:

- ▶ Turn rotary control (1) toward Min.


Working with the spraying set

- ▶ Press the trigger and spray the detergent onto the surface to be cleaned.
- ▶ Apply the detergent starting at the bottom and working up and do not allow it to dry.
- ▶ Remove the spraying set.
- ▶ Attach the nozzle.
- ▶ Clean the surface.

13 After Finishing Work

13.1 After finishing your work

- ▶ Switch off the pressure washer and remove the battery.
- ▶ If the pressure washer is connected to the water supply: Close the faucet.
- ▶ Press and hold the trigger. The water pressure is reduced.
- ▶ Lock the locking slide.
- ▶ Disconnect the pressure washer from the water source.
- ▶ If the folding canister has been used: Empty and clean folding canister.
- ▶ Remove the water hose.
- ▶ Detach the nozzle and clean it.

- ▶ If the spraying set has been used: Remove, empty and clean spraying set.
- ▶ If a spray lance has been used: Remove clean spray lance.
- ▶ Allow remaining water to empty from the pressure washer.
- ▶ If the pressure washer or the accessories are wet: Allow the pressure washer and accessories to dry.
- ▶ If the battery is moist or wet: Allow the battery to dry,  20.6.
- ▶ Clean the pressure washer.
- ▶ Clean the battery.

14 Transporting

14.1 Transporting the pressure washer

- ▶ Switch off the pressure washer and remove the battery.

Carrying the pressure washer

- ▶ Carry the pressure washer with one hand on the control handle with the nozzle pointing down.

Transporting the pressure washer in a vehicle

- ▶ Transport the pressure washer and accessories in the bag supplied.
- ▶ Secure the bag to prevent it from tipping over and moving.

14.2 Transporting the battery

- ▶ Switch off the pressure washer and remove the battery.
- ▶ Check that the battery is in a safe condition.
- ▶ Pack the battery in the outer compartment of the bag supplied.
- ▶ Secure the packaging so that it cannot move.

The battery is subject to the Carriage of Dangerous Goods regulations. The battery is classified as UN 3480 (lithium ion batteries) and has been tested pursuant to UN Manual Tests and Criteria Part III, Subsection 38.3.

The transport regulations can be found at www.stihl.com/safety-data-sheets.

14.3 Transporting the charger

- ▶ Disconnect the mains plug from the socket.
- ▶ Remove the battery.
- ▶ Roll up the connecting cable.
- ▶ Transporting the charger in a vehicle: Secure the charger with lashing straps, belts or a net to prevent it tipping over and shifting.


15 Storing

15.1 Storing the pressure washer

- ▶ Switch off the pressure washer and remove the battery.
- ▶ The pressure washer should be stored in such a way that the following conditions are fulfilled:
 - The pressure washer cannot tip over or move.
 - The pressure washer is out of the reach of children.
 - The pressure washer is clean and dry.
 - The pressure washer is in an enclosed space.
 - The pressure washer is in a temperature range above 0°C.

15.2 Storing the battery


STIHL recommends storing the battery in a state of charge between 40% and 60%.

- ▶ The battery should be stored in such a way that the following conditions are met:
 - The battery is out of the reach of children.
 - The battery is clean and dry.
 - The battery is in an enclosed space.
 - The battery is stored separately from the pressure washer.
 - If the battery is stored in the charger, disconnect the mains plug and store the battery at a state of charge between 40% and 60%.
 - Do not store the battery outside of the specified temperature limits,  20.5.

NOTICE

- If the battery is not stored as described in this user manual, the battery may become deeply discharged and irreparably damaged.
 - ▶ Charge a discharged battery before storing it. STIHL recommends storing the battery in a state of charge between 40% and 60%.
 - ▶ Store battery separately from pressure washer.

15.3 Storing the charger

- ▶ Disconnect the mains plug from the socket.
- ▶ Comply with the following points when storing the charger:
 - Charger is out of the reach of children.
 - The charger is clean and dry.
 - Charger is in an enclosed space.
 - Charger is not hanging from the connecting cable.
 - The charger is not stored outside of the specified temperature limits,  20.5.

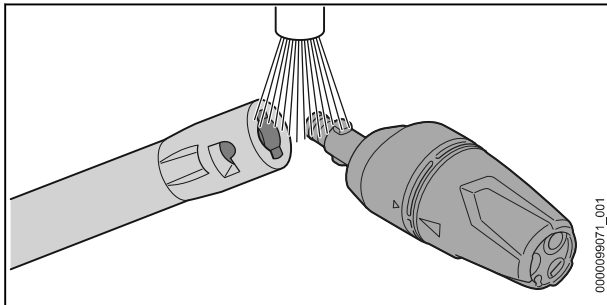
16 Cleaning

16.1 Cleaning the pressure washer

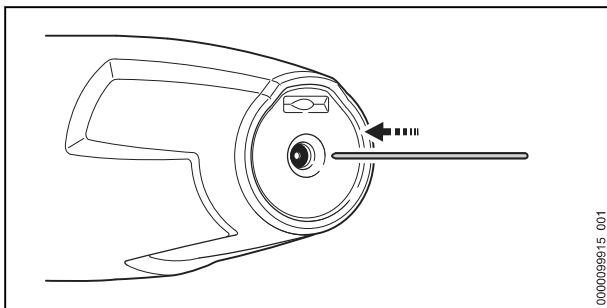
- ▶ Switch off the pressure washer and remove the battery.
- ▶ Clean the pressure washer with a damp cloth.
- ▶ Clean the connectors and couplings on the pressure washer with a damp cloth.
- ▶ Use a paintbrush to clean the ventilation slots.
- ▶ Remove foreign objects from the battery compartment and clean the battery compartment with a damp cloth.
- ▶ Use a paintbrush or soft brush to clean the electrical contacts in the battery compartment.

16.2 Cleaning accessories

Cleaning nozzle and spray lance



- ▶ Rinse the nozzle and spray lance under running water and dry with a cloth.



- ▶ If the nozzle is clogged: Clean the nozzle with a thin needle.

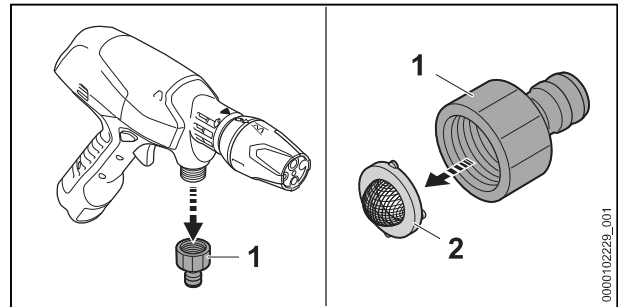
Cleaning folding canister

- ▶ Rinse the folding canister with clean water.
- ▶ Clean the folding canister with a damp cloth.

Cleaning spraying set

- ▶ Remove the bottle and empty it.
- ▶ Dispose of detergent residue as specified in the detergent User Manual.
- ▶ Rinse the bottle with clean water.
- ▶ Clean the spraying set with a damp cloth.

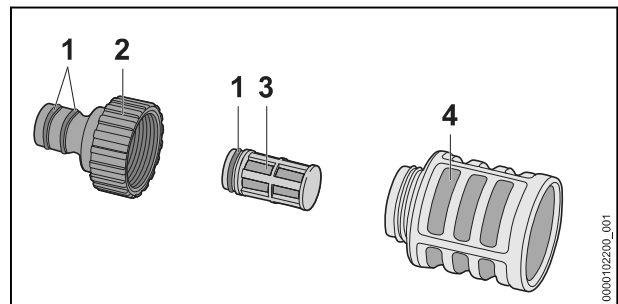
16.3 Cleaning the water intake screen



- ▶ Unscrew the connector (1) of the water connection.
- ▶ Remove water intake screen (2) from the connector.
- ▶ Rinse out the water intake screen (2) under running water.
- ▶ Insert water intake screen (2) into the connector.
- ▶ Attach the connector (1) and tighten it securely by hand.

16.4 Cleaning the water filter in the suction set

The suction cup must be disassembled for cleaning the water filter.



- ▶ Unscrew the connector (2).
- ▶ Remove the water filter (3) from the suction cup (4).
- ▶ Rinse out the connector (2), water filter (3) and suction cup (4) under running water.
- ▶ Grease the gaskets (1) with grease suitable for faucets and valves.
- ▶ Reassemble the suction cup.

16.5 Cleaning the Battery

- ▶ Clean the battery with a damp cloth.

16.6 Cleaning the Charger

- ▶ Disconnect the mains plug from the power supply.
- ▶ Clean the charger with a damp cloth.
- ▶ Clean the charger's electrical contacts with a paintbrush or a soft brush.

17 Maintenance

17.1 Maintenance intervals

Maintenance intervals depend on the ambient conditions and the operating conditions. STIHL recommends the following maintenance intervals:

Monthly

- ▶ Clean water intake screen.

accessories; contact a STIHL authorized dealer.

- ▶ If the battery is defective or damaged: Replace the battery.
- ▶ If the charger is defective or damaged: Replace the charger.
- ▶ If the connecting cable is defective or damaged: Do not use the charger and have the connecting cable replaced by a STIHL authorized dealer.

18 Repairing


18.1 Repairing pressure washer, battery and charger


The user cannot personally repair the pressure washer and accessories.

- ▶ If the pressure washer or the accessories are damaged: Do not use the pressure washer or

19 Troubleshooting

19.1 Troubleshooting the pressure washer or the battery

Error	LEDs on the pressure washer	Cause	Remedy
The pressure washer does not start when switched on.	1 LED flashes green.	State of charge of the battery is too low.	▶ Charge the battery.
	1 LED lights up steady red.	The battery is too warm or too cold.	▶ Remove the battery. ▶ Allow the battery to cool down or warm up.
	-	The pressure washer is too warm.	▶ Remove the battery. ▶ Allow the pressure washer to cool down. ▶ Clean the nozzle.
	1 LED flashes red.	There is an error in the battery.	▶ Remove the battery and reinsert it. ▶ Switch on the pressure washer. ▶ If 1 LED continues to flash red: Do not use the battery and instead contact a STIHL authorized dealer.
	-	No electrical contact between the pressure washer and the battery	▶ Remove the battery. ▶ Clean the electrical contacts in the battery compartment. ▶ Insert the battery.
	-	The battery is damp.	▶ Allow the battery to dry,  20.6.
	1 LED flashes red.	There is an error in the pressure washer.	▶ Remove the battery. ▶ Clean the electrical contacts in the battery compartment. ▶ Insert the battery. ▶ Switch on the pressure washer. ▶ If 1 LED continues to flash red: Do not use the pressure washer and contact a STIHL authorized dealer.
The pressure washer cuts out during operation.	1 LED lights up steady red.	The pressure washer is too warm.	▶ Remove the battery. ▶ Allow the pressure washer to cool down. ▶ Clean the nozzle.

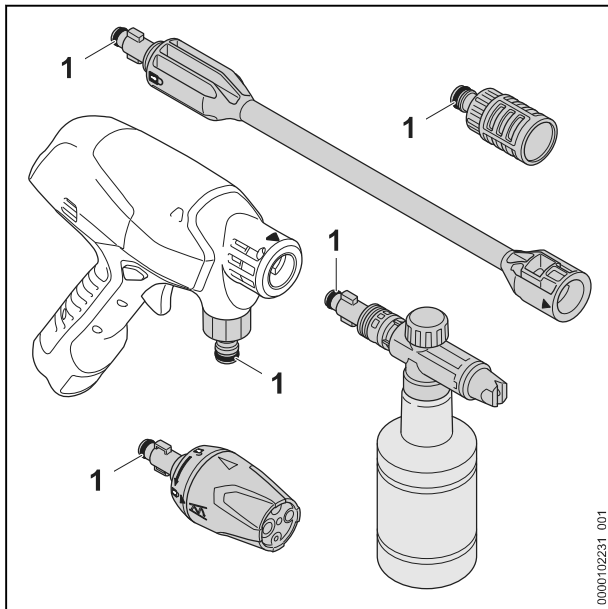
Error	LEDs on the pressure washer	Cause	Remedy
	-	The battery is too warm or too cold.	<ul style="list-style-type: none"> ▶ Remove the battery. ▶ Allow the battery to cool down or warm up.
	-	There is an electrical error.	<ul style="list-style-type: none"> ▶ Remove the battery and reinsert it. ▶ Switch on the pressure washer.
Pressure washer runtime is too short.	-	The battery is not fully charged.	▶ Fully charge the battery.
	-	The battery life has been exceeded.	▶ Replace the battery.
The operating pressure fluctuates or drops.	-	There is not enough water.	<ul style="list-style-type: none"> ▶ Open water tap fully. ▶ Make sure that a sufficient quantity of water is available.
	-	The nozzle is blocked.	▶ Clean the nozzle.
	-	The water intake screen or water filter is blocked.	▶ Clean the water intake screen and water filter.
	-	The pressure washer is leaking or faulty.	▶ Have pressure washer checked by a STIHL authorized dealer.
The shape of the water jet has changed.	-	The nozzle is blocked.	▶ Clean the nozzle.
	-	The nozzle is worn.	▶ Replace the nozzle.
The pressure washer does not draw in water.	-	The pump does not generate a vacuum.	<ul style="list-style-type: none"> ▶ Connect the pressure washer to the water supply. ▶ Press the trigger until a uniform water jet flows out of the nozzle. ▶ Connect the suction set and draw in water.
Detergent is no longer drawn in.	-	The container is empty.	▶ Fill container with detergent.
Connectors with pressure washer or spray lance are stiff.	-	The gaskets of the connections are not greased.	▶ Lubricate the gaskets,  19.3.

19.2 Troubleshooting the Charger

Error	LED on Charger	Cause	Remedy
Battery is not being charged.	1 LED lights up orange.	The battery or the charger is too warm or too cold.	▶ Leave the battery inserted in charger. The charging starts automatically as soon as the permitted temperature range is reached.
	1 LED flashes red.	There is no electrical connection between the charger and battery.	<ul style="list-style-type: none"> ▶ Remove the battery. ▶ Clean contacts on charger. ▶ Insert the battery.
		There is an error in the charger.	<ul style="list-style-type: none"> ▶ Remove the battery. ▶ Disconnect the mains plug from the socket. ▶ Wait for 1 minute. ▶ Insert the mains plug in a power outlet.

Error	LED on Charger	Cause	Remedy
			<ul style="list-style-type: none"> ▶ If the 1 LED continues to flash red: Do not use the charger and instead contact a STIHL authorized dealer.
		There is an error in the battery.	<ul style="list-style-type: none"> ▶ Do not use the battery and instead contact a STIHL authorized dealer.
		The electrical connection to the charger was interrupted.	<ul style="list-style-type: none"> ▶ Remove the battery. ▶ Disconnect the mains plug from the socket. ▶ Wait for 1 minute. ▶ Insert the mains plug in a power outlet.
		There is an error in the charger.	<ul style="list-style-type: none"> ▶ Do not use the charger and instead contact a STIHL dealer for assistance.
The charger does not start up and does not run a self-test.	The LEDs does not light up green for about 1 second.	The electrical connection to the charger was interrupted.	<ul style="list-style-type: none"> ▶ Disconnect the mains plug from the socket. ▶ Wait for 1 minute. ▶ Insert the mains plug in a power outlet.
		There is an error in the charger.	<ul style="list-style-type: none"> ▶ Do not use the charger and instead contact a STIHL dealer for assistance.

19.3 Greasing the gaskets



- ▶ Grease the gaskets (1) with grease suitable for fixtures.

20 Specifications

20.1 STIHL RCA 20.0 Pressure Washer

- Approved battery: STIHL AS
- Protection class: III
- Max. pressure (p max.): 2,4 MPa (24 bar)
- Max. water supply pressure (p in max.): 1 MPa (10 bar)
- Max. water flow (Q max.): 3,9 l/min (230 l/h)
- Min. water flow (Q min.): 2,4 l/min (140 l/h)
- Max. suction head: 1,5 m

- Max. inlet temperature in pressure mode (t in max): 40 °C
- Max. inlet temperature in suction mode: 20 °C
- Dimensions
 - Length: 329 mm
 - Width: 82 mm
 - Height: 233 mm
- Weight (m) without battery and with accessories attached: 1,3 kg

Parameters dependent on pressure have been measured at an inlet pressure of 0,3 MPa (3 bar).

For runtime, see www.stihl.com/battery-life.

20.2 STIHL AS battery

- Battery technology: Lithium-ion
- Voltage: 10.8 V
- Capacity in Ah: see rating label
- Energy content in Wh: see rating label
- Weight in kg: See rating label

20.3 Charger STIHL ALS 31.0

- Rated voltage: see the rating plate
- Frequency: see rating plate
- Rated power: see rating plate
- Charging current: See the rating plate
- Maximum energy content of approved STIHL AS battery STIHL AS: 12.5 Ah

For charging times, see www.stihl.com/charging-times.

20.4 Extension Cords

If an extension cord is used, the cross sectional area of its conductors must meet the following

minimum requirements – depending on the line voltage and length of the extension cord:

If rated voltage on the rating label is 220V to 240V:

- Cord length up to 20 m: AWG 15 / 1.5 mm²
- Cord length 20 m up to 50 m: AWG 13 / 2.5 mm²

If rated voltage on the rating label is 100V to 127V:

- Cord length up to 10 m: AWG 14 / 2.0 mm²
- Cord length 10 m up to 30 m: AWG 12 / 3.5 mm²

20.5 Temperature limits



WARNING

- The battery is not protected against all ambient conditions. If the battery is exposed to certain environmental conditions, it may catch fire or explode. This may result in serious injury to people and damage to property.
 - ▶ Do not charge and use the battery or charger below -20°C or above 50°C.
 - ▶ Do not store the battery or charger below -20°C or above 70°C.
 - ▶ Do not use the pressure washer below 0°C or above 50°C.
 - ▶ Do not store the pressure washer below 0°C or above 70°C.

20.6 Recommended temperature ranges

For optimum performance of the pressure washer, battery and charger, observe the following temperature ranges:

- Pressure washer:
 - Use: 0°C to 40°C
 - Storage: 0°C to 50°C
- Battery and charger:
 - Charging: 5°C to 40°C
 - Use: -10°C to 40°C
 - Storage: -20°C to +50°C

If the battery is charged, used or stored outside the recommended temperature ranges, performance may be restricted.

If the battery is wet or moist, allow the battery to dry for at least 48 h between 15°C and 50°C and with less than 70% humidity. Higher humidity may extend the drying time.

20.7 Sound and vibration values

The K-value for the sound pressure level is 2 dB(A). The K value for the sound power level is 2 dB(A). The K-value for the vibration level is 2 m/s².

STIHL recommends wearing hearing protection.

- Sound power level L_{WA} measured as specified in EN 60335-2-79: 84 dB(A)
- Vibration level a_{hv} measured in accordance with EN 60335-2-79, fan-jet nozzle: $\leq 2,5$ m/s².

The sound and vibration values indicated were measured according to a standardized test method and can be used as a basis for comparing electric power tools. The actual sound and vibration levels may vary from the values indicated, depending on the type of application and the accessories used. The sound and vibration levels indicated can be used for an initial estimate of the sound and vibration load. The actual sound and vibration stress has to be estimated. The times can be taken into account in the estimate when the electric power tool is switched off and also when it is switched on but running without any load.

For information on compliance with the Physical Agents (Vibration) Directive 2002/44/EC, see www.stihl.com/vib.


20.8 REACH

REACH is an EC regulation and stands for the Registration, Evaluation, Authorisation and Restriction of Chemical substances.

For information on compliance with the REACH regulation see www.stihl.com/reach.

21 Spare Parts and Accessories

21.1 Spare parts and accessories

STIHL  These symbols indicate original STIHL spare parts and original STIHL accessories.

STIHL recommends the use of original STIHL spare parts and accessories.

Despite ongoing market observation, STIHL is unable to judge the reliability, safety and suitability of other manufacturers' spare parts and accessories; accordingly, STIHL cannot warrant for the use of those parts.

Original STIHL spare parts and original STIHL accessories are available from STIHL dealers.

22 Disposal

22.1 Disposing of pressure washer, battery and charger

Contact local authorities or a STIHL authorized dealer for information about disposal.

Improper disposal can be harmful to health and pollute the environment.

- ▶ Take STIHL products including packaging to a suitable collection point for recycling in accordance with local regulations.
- ▶ Do not dispose with domestic waste.

23 EC Declaration of Conformity

23.1 STIHL RCA 20.0 Pressure Washer

ANDREAS STIHL AG & Co. KG
Badstraße 115
D-71336 Waiblingen

Germany

declares under its sole responsibility that

- Category: Pressure washer
- Manufacturer's brand: STIHL
- Model: RCA 20.0
- Serial identification number: RA02

conforms to the relevant provisions of Directives 2011/65/EU, 2006/42/EC, 2014/30/EU and has been developed and manufactured in compliance with the following standards in the versions valid on the date of production: EN 55014-1, EN 55014-2, EN 60335-1, EN 60335-2-54, EN 62233.

The measured and the guaranteed sound power level have been determined in accordance with Directive 2000/14/EC, Annex V and standard ISO 3744.

- Measured sound power level: 84 dB(A)
- Guaranteed sound power level: 86 dB(A)

The technical documents are stored at ANDREAS STIHL AG & Co. KG Produktzulassung.

The year of manufacture, country of manufacture and serial number are shown on the pressure washer.

Waiblingen, 01 08,2022

ANDREAS STIHL AG & Co. KG



Robert Olma, Vice President, Regulatory Affairs & Global Governmental Relations

24 UKCA Declaration of Conformity

24.1 STIHL RCA 20.0 Pressure Washer



ANDREAS STIHL AG & Co. KG
Badstraße 115
D-71336 Waiblingen

Germany

declares under its sole responsibility that

- Category: Pressure washer
- Manufacturer's brand: STIHL
- Model: RCA 20.0
- Serial identification number: RA02

conforms to the relevant provisions of UK regulations The Restriction of the Use of Certain Hazardous Substances in Electrical and Electronic Equipment Regulations 2012, Supply of Machinery (Safety) Regulations 2008 and Electromagnetic Compatibility Regulations 2016 and has been manufactured in compliance with the following standards in the versions valid on the date of production: EN 55014-1, EN 55014-2, EN 60335-1, EN 60335-2-54, EN 62233.

The measured and guaranteed sound power levels were determined in accordance with the UK regulation Noise Emission in the Environment by Equipment for use Outdoors Regulations 2001, Schedule 8, using the ISO 3744 standard.

- Measured sound power level: 84 dB(A)
- Guaranteed sound power level: 86 dB(A)

The technical documents are stored at ANDREAS STIHL AG & Co. KG.

The year of manufacture, country of manufacture and serial number are shown on the pressure washer.

Waiblingen, 01 08,2022

ANDREAS STIHL AG & Co. KG

pp 

Robert Olma, Vice President, Regulatory Affairs
& Global Governmental Relations

25 Addresses

www.stihl.com

Table des matières

1	Préface.....	53
2	Informations concernant la présente Notice d'emploi.....	53
3	Vue d'ensemble.....	54
4	Prescriptions de sécurité.....	56
5	Préparatifs avant l'utilisation du nettoyeur à pression.....	65
6	Recharge de la batterie et DEL.....	65
7	Assemblage du nettoyeur à pression.....	67
8	Branchement sur une source d'alimentation en eau.....	68
9	Introduction et extraction de la batterie.....	70
10	Mise en marche et arrêt du nettoyeur à pression.....	70
11	Contrôle du nettoyeur à pression et de la batterie.....	70
12	Travail avec le nettoyeur à pression.....	71
13	Après le travail.....	72
14	Transport.....	73
15	Rangement.....	73
16	Nettoyage.....	74
17	Maintenance.....	75
18	Réparation.....	75
19	Dépannage.....	75
20	Caractéristiques techniques.....	78
21	Pièces de rechange et accessoires.....	79
22	Mise au rebut.....	80
23	Déclaration de conformité UE.....	80
24	Déclaration de conformité UKCA.....	80
25	Adresses.....	81

1 Préface

Chère cliente, cher client,

Nous vous remercions d'avoir choisi un produit STIHL. Dans le développement et la fabrication de nos produits, nous mettons tout en œuvre pour garantir une excellente qualité répondant aux besoins de nos clients. Nos produits se distinguent par une grande fiabilité, même en cas de sollicitations extrêmes.

STIHL garantit également la plus haute qualité au niveau du service après-vente. Nos revendeurs spécialisés fournissent des conseils compétents, aident nos clients à se familiariser avec nos produits et assurent une assistance technique complète.

STIHL se déclare résolument en faveur d'un développement durable et d'une gestion responsable de la nature. La présente Notice d'emploi vous aidera à utiliser votre produit STIHL en toute sécurité et dans le respect de l'environnement, pendant toute sa longue durée de vie.

Nous vous remercions de votre confiance et vous souhaitons beaucoup de plaisir avec votre produit STIHL.



Dr. Nikolas Stihl

IMPORTANT ! LIRE CETTE NOTICE AVANT D'UTILISER CE PRODUIT ET LA CONSERVER PRÉCIEUSEMENT.

2 Informations concernant la présente Notice d'emploi

2.1 Documents applicables

Les consignes de sécurité locales sont à respecter.

- ▶ Outre la présente Notice d'emploi, lire, comprendre et conserver les documents suivants :
 - Information de sécurité concernant les batteries STIHL et les produits STIHL à batterie intégrée : www.stihl.com/safety-data-sheets
 - Notice d'emploi et textes de l'emballage des accessoires employés
 - Notice d'emploi et textes de l'emballage du détergent employé

2.2 Marquage des avertissements dans le texte



- Attire l'attention sur des dangers causant des blessures graves, voire mortelles.
 - ▶ Les mesures indiquées peuvent éviter des blessures graves, voire mortelles.