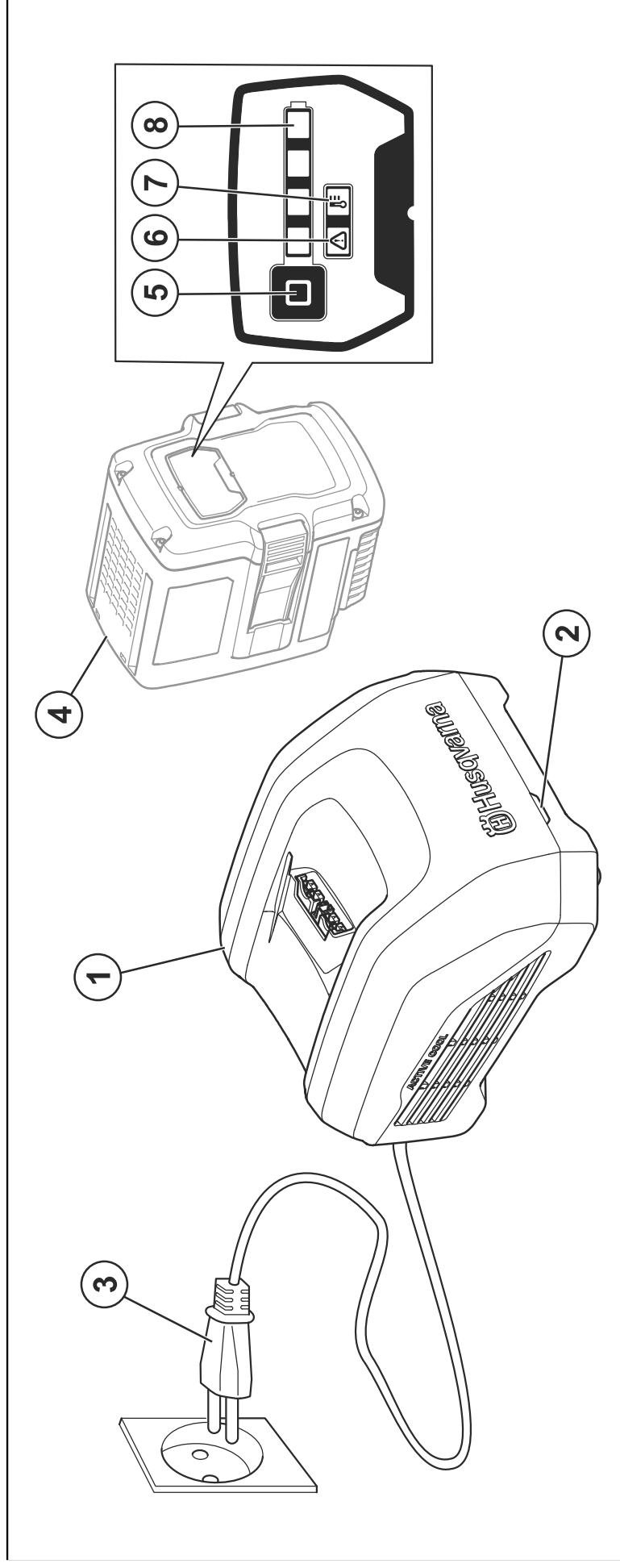


PRODUCT OVERVIEW



- 1. Battery charger
- 2. Charging and error indicator on charger
- 3. Power plug
- 4. Battery
- 5. Battery indicator button on battery
- 6. Error indicator on battery
- 7. Battery temperature indicator on battery
- 8. Battery state of charge indicator on battery

SYMBOLS ON THE PRODUCT



Be careful and use the product correctly. This product can cause serious injury or death to the operator or others.



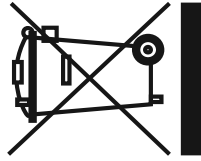
Read the operator's manual carefully and make sure that you understand the instructions before use.



The product agrees with the applicable EC directives.



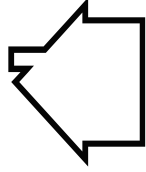
This product conforms to applicable UK regulations.



The product or package of the product is not domestic waste. Recycle it at an applicable disposal location for electrical and electronic equipment.



Keep the unit away from water and rain.



Use and keep the battery charger indoors only.

Note: Other symbols/decals on the product refer to certification requirements for some commercial areas.

SAFETY DEFINITIONS

Warnings, cautions and notes are used to point out specially important parts of the manual.



WARNING: Used if there is a risk of injury or death for the operator or bystanders if the instructions in the manual are not obeyed.



CAUTION: Used if there is a risk of damage to the product, other materials or the adjacent area if the instructions in the manual are not obeyed.

Note: Used to give more information that is necessary in a given situation.

IMPORTANT SAFETY INSTRUCTIONS



WARNING: Read all safety warnings and all instructions. Failure to obey the warnings and instructions may result in electrical shock, fire and/or serious injury.

- Only use the battery chargers 40-C500X and 40-C750X to charge Husqvarna original

batteries. For specific batteries, refer to *TECHNICAL DATA on page 9*. The batteries are software encrypted.

- Do not use non-rechargeable batteries.
- Do not try to disassemble or repair the battery charger.
- Do not connect the battery charger terminals to metal objects.
- Use an approved grounded mains socket that is not damaged.
- Regularly examine that the power cord is not damaged.

Immediately disconnect the battery charger if the power cord is damaged.

- If the power cord is damaged, let an approved service agent replace the power cord.
- Do not lift the battery charger by the power cord. To disconnect the battery charger from a mains socket, pull out the power plug. Do not pull the power cord.
- Keep all cables and extension leads away from water, oil and sharp edges. Make sure that the power cord is not

- caught between doors, fences or equivalent.
- Do not clean the battery or the battery charger with water.
 - Keep the battery charger away from children.
 - Do not use damaged battery charger or battery.
 - Do not use the battery charger when there is a risk of lightning.
 - Only use the battery charger indoors in an environment with good airflow and the correct temperature.
 - Keep the battery charger away from sunlight. Do not use the battery charger outdoors or in wet conditions.
 - Do not operate the battery charger with wet hands.
 - Do not use the battery charger near flammable materials or materials that can cause corrosion. Pull out the power plug to the battery charger if there is smoke or fire.
 - Do not put a cover on the battery charger during operation.
 - This appliance can be used by children aged from 8 years and above and persons with

reduced physical, sensory or mental capabilities or lack of experience and knowledge if they have been given supervision or instruction concerning use of the appliance in a safe way and understand the hazards involved. Children shall not play with the appliance. Cleaning and user maintenance shall not be made by children without supervision.

OPERATION

- Use the battery charger only when the ambient temperature is between -10 °C (14 °F) and 40 °C (104 °F).
- The battery does not charge if the battery temperature is more than 50 °C (122 °F).
- The battery does not charge if the battery temperature is less than 0 °C (32 °F).

To charge the battery



CAUTION: Make sure that the battery, the battery charger and the terminals on the battery are clean and dry. Do not put the battery in the battery charger if it is dirty or wet.

1. Connect the battery charger to a power outlet. The charger starts an automatic function test. The charging indicator flashes green 1 time, yellow 1 time, red 1 time, and the fan operates briefly.
2. Put the battery in the charger. When the charging indicator on the charger is green, the battery is correctly connected to the battery charger.
3. The battery is fully charged when all the state of charge indicators on the battery are on. Push the battery indicator button to show state of charge for the battery.



CAUTION: Only connect the battery charger to a power outlet with the voltage and frequency specified on the rating plate.

Note: The charging indicator on the charger stays green during the full charging process.

4. Remove the battery from the charger. Pull the power plug to disconnect the charger from the power outlet. Do not pull the power cord.

TROUBLESHOOTING

Symptoms	Possible faults	Possible procedure
<p>The charging indicator on the charger is yellow.</p> <p>The battery error indicator flashes, or the battery temperature indicator is on.</p>	<p>Temperature deviation, the battery is too cold or too hot to use or charge.</p>	<p>If the battery is too hot, keep it connected to the charger. The built-in fan of the charger decreases the temperature of the battery. When the battery has the recommended temperature, the charging starts automatically.</p> <p>If the battery is too cold, move it indoors. When the battery has the recommended temperature, continue the charging.</p> <p>Obey the temperature range for operation, refer to <i>OPERATION on page 7</i>. Keep the charger away from sunlight. If the problem continues, speak to your dealer.</p>
<p>The charging indicator on the charger is yellow. The battery error indicator on the battery is on.</p>	<p>The battery has a critical error.</p>	<p>Speak to your dealer.</p>
<p>The charging indicator on the charger is red.</p>	<p>The charger has a critical error.</p>	<p>Speak to your dealer.</p>

TRANSPORTATION AND STORAGE

- Disconnect the power plug and remove the battery from the charger.
- Safely attach the product during transportation to prevent damage and accidents.
- Keep the product in a locked area to prevent access for children or persons that are not approved.
- Put the product in a dry, frost-free and clean space with correct temperature.
- Put the product in storage where the temperature is between 5 °C (41 °F) and 25 °C (77 °F). Keep the product away from sunlight.
- Keep the battery away from the battery charger during storage.

Disposal

Husqvarna products are not domestic waste and must only be discarded as given in this manual.

- Obey the local disposal requirements and applicable regulations.
- Recycle the battery charger and package at an applicable disposal location.

- Speak to your local Husqvarna dealer for more information on how to recycle and discard the battery.

TECHNICAL DATA

For technical data, refer to the rating plate of the battery charger.

	40-B140X	40-B220X	40-B330X	BLi100	BLi200	BLi300
Capacity, Ah	4	6	9	2.5	5	9