



Husqvarna®

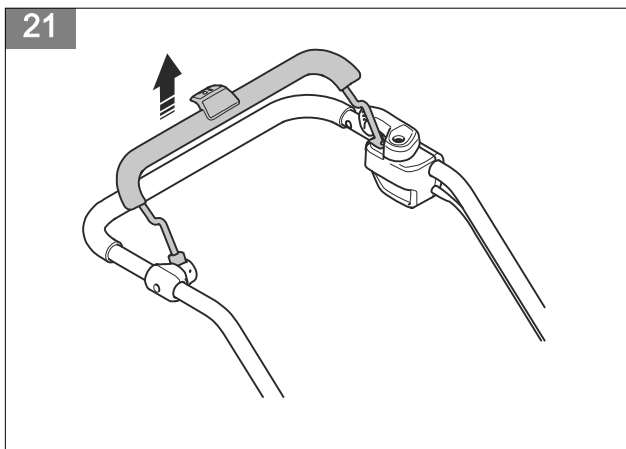
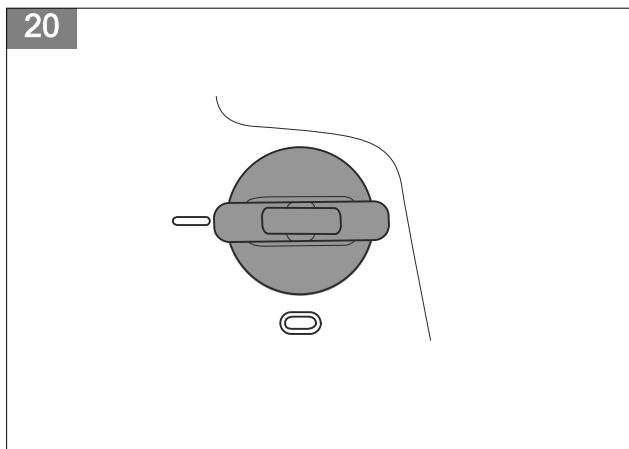
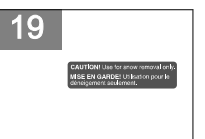
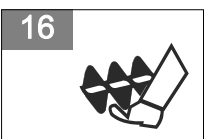
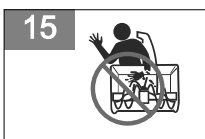
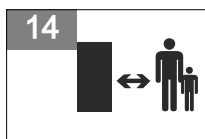
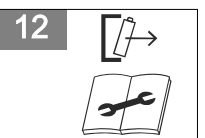
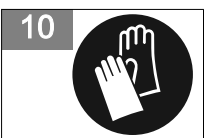
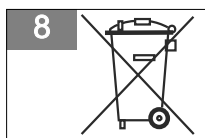
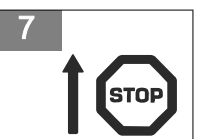
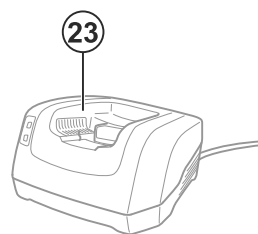
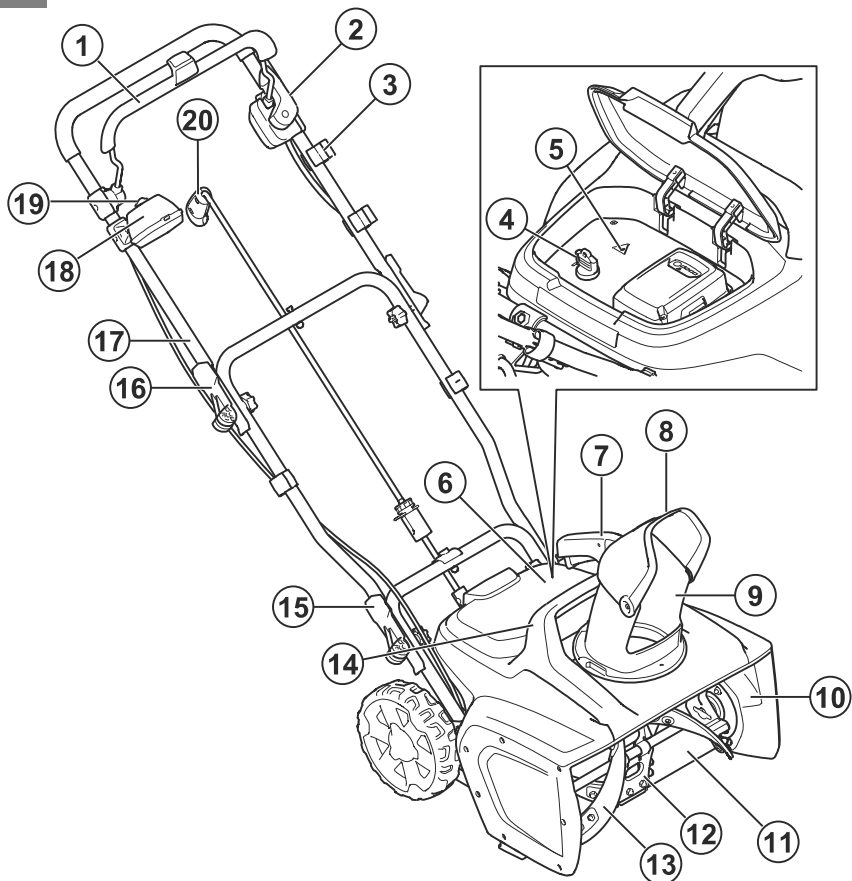


ST 143i

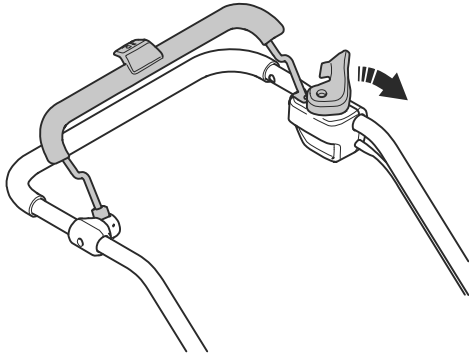


EN	Operator's manual	7-24
BG	Ръководство за експлоатация	25-45
CS	Návod k použití	46-63
DA	Brugsanvisning	64-80
DE	Bedienungsanweisung	81-101
EL	Οδηγίες χρήσης	102-121
ES	Manual de usuario	122-140
ET	Kasutusjuhend	141-157
FI	Käyttöohje	158-174
FR	Manuel d'utilisation	175-194
HR	Priručnik za korištenje	195-212
HU	Használati utasítás	213-231
IT	Manuale dell'operatore	232-250
LT	Operatoriaus vadovas	251-268
LV	Lietošanas pamācība	269-287
NL	Gebruiksaanwijzing	288-306
NO	Bruksanvisning	307-323
PL	Instrukcja obsługi	324-342
PT	Manual do utilizador	343-361
RO	Instrucțiuni de utilizare	362-379
RU	Руководство по эксплуатации	380-400
SK	Návod na obsluhu	401-418
SL	Navodila za uporabo	419-436
SR	Priručnik za rukovaoca	437-454
SV	Bruksanvisning	455-471
TR	Kullanım kılavuzu	472-488
UK	Посібник користувача	489-508
FR-CA	Manuel d'utilisation	509-527
ES-MX	Manual del usuario	528-545

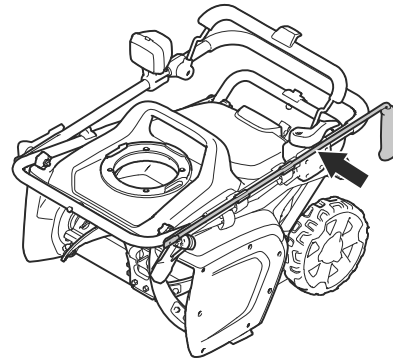
1



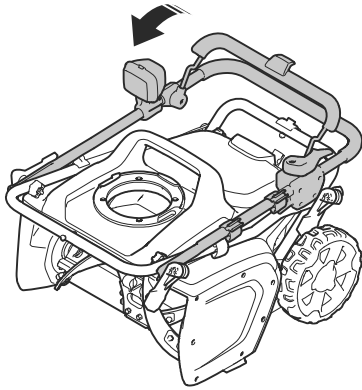
22



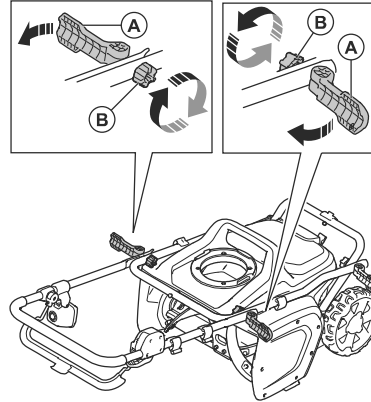
23



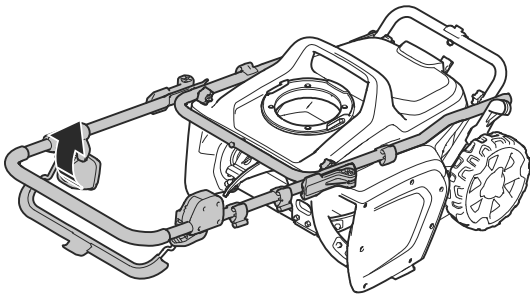
24



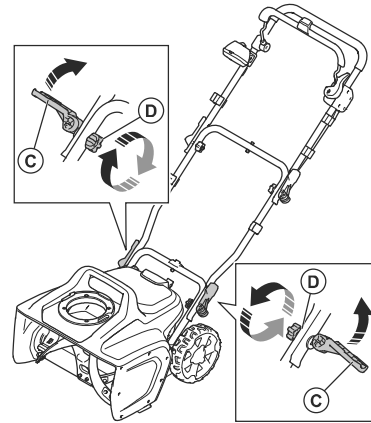
25



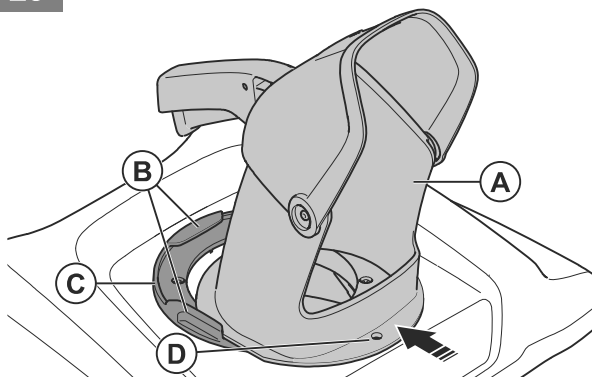
26



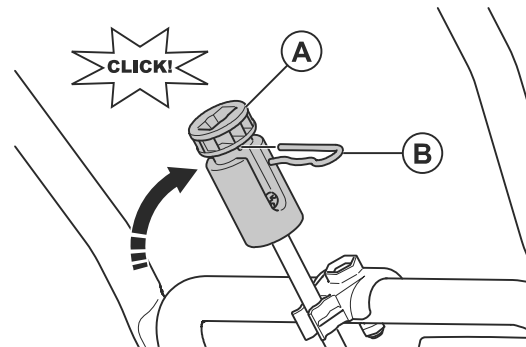
27

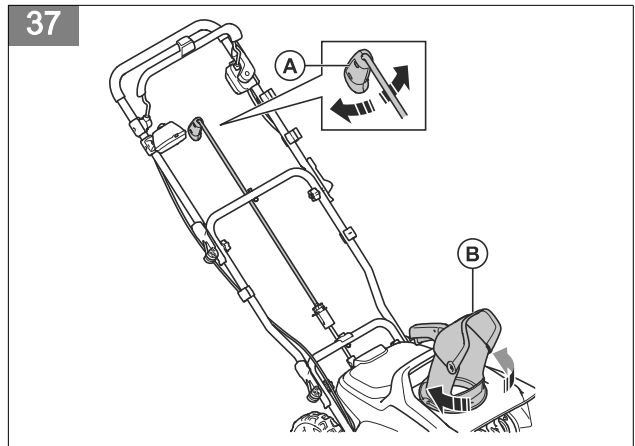
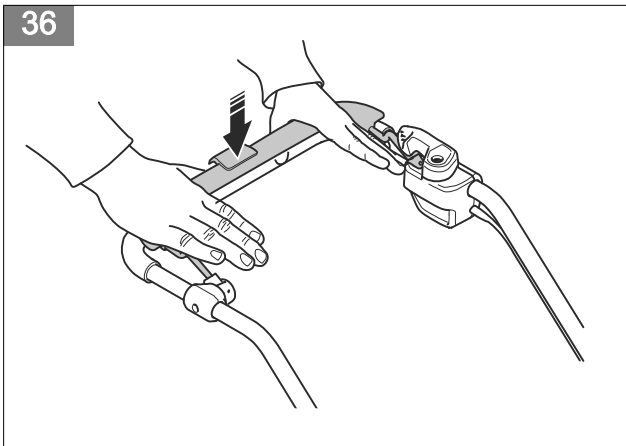
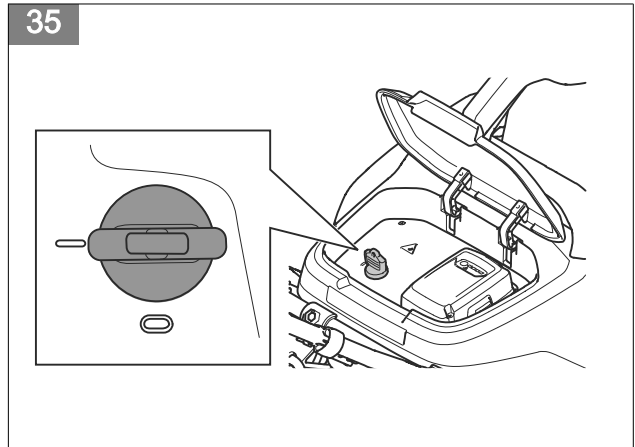
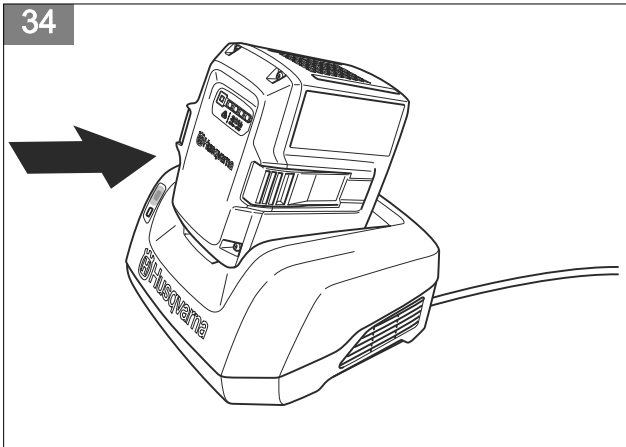
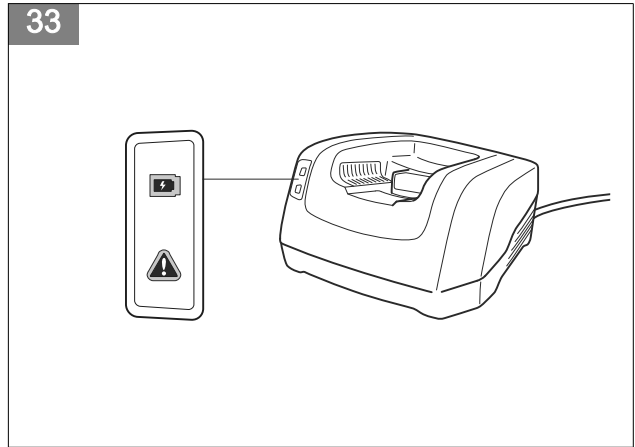
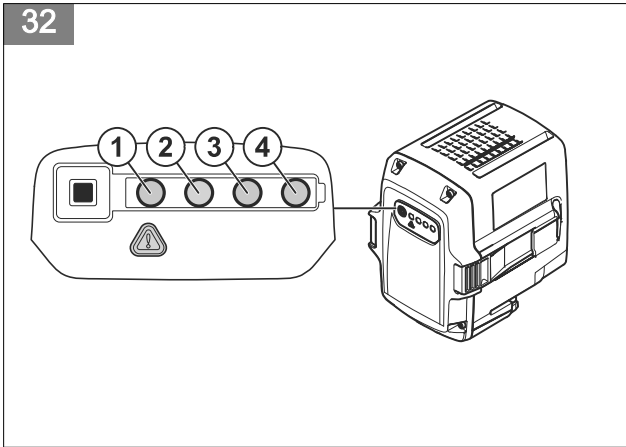
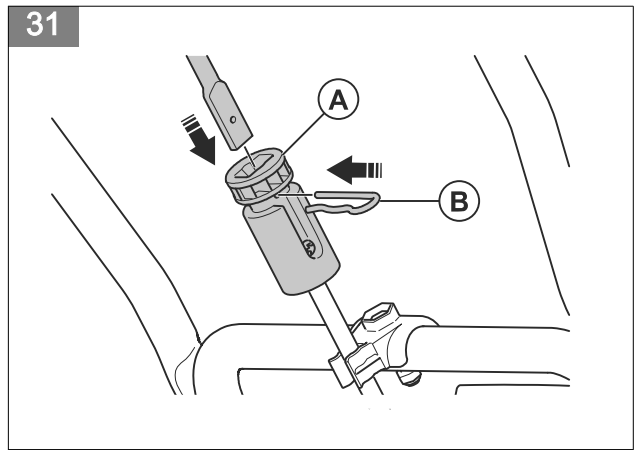
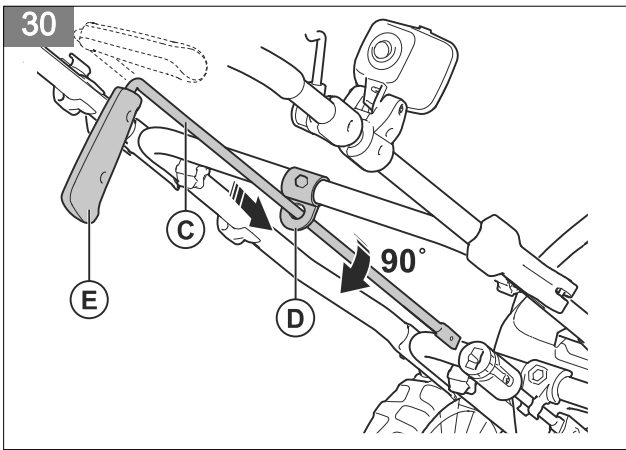


28

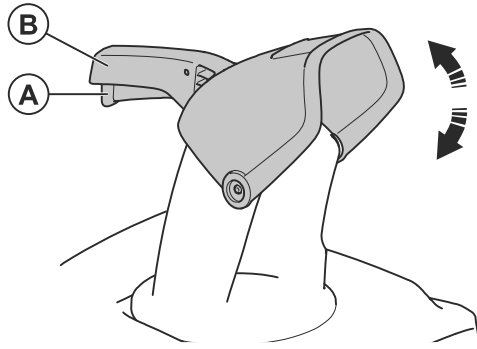


29

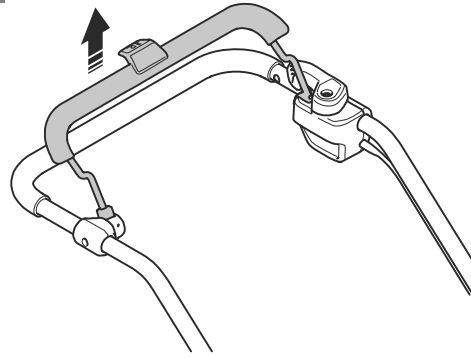




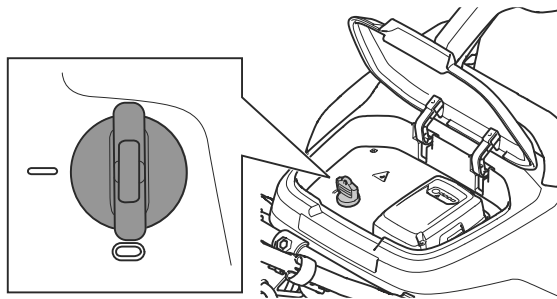
38



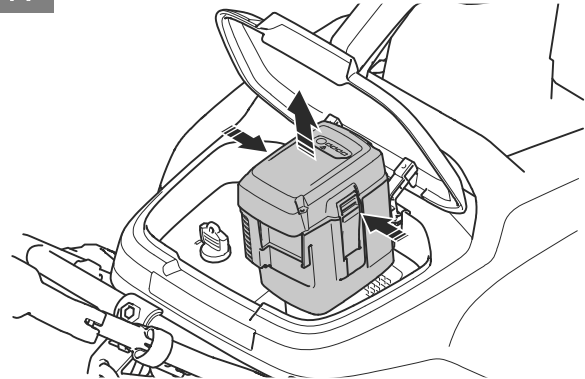
39



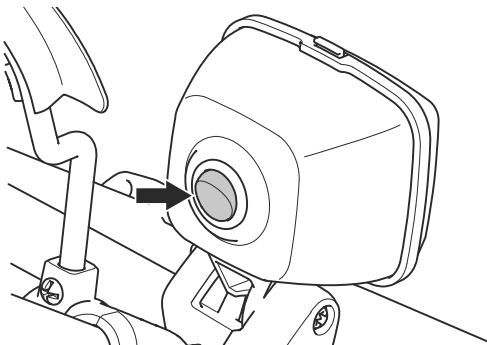
40



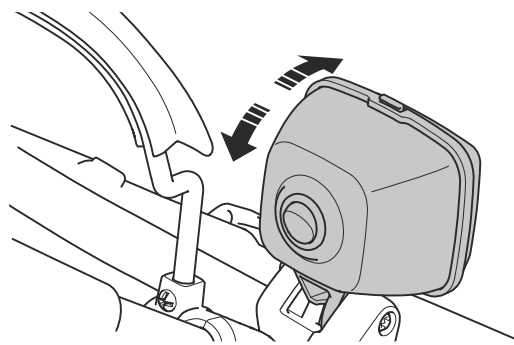
41



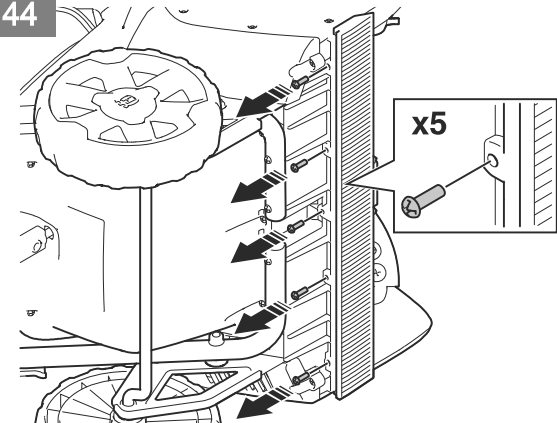
42



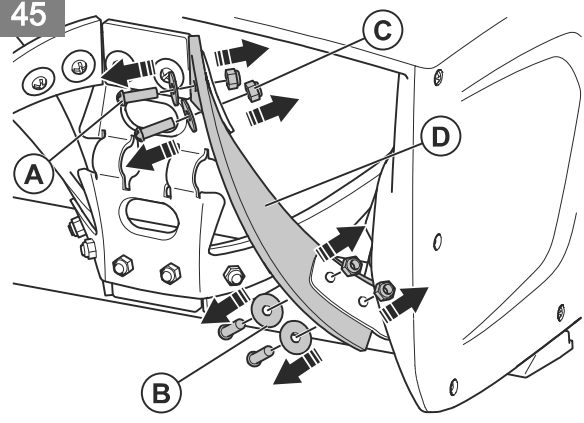
43

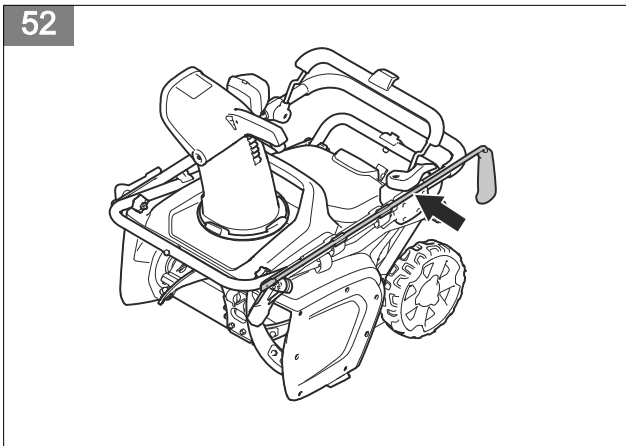
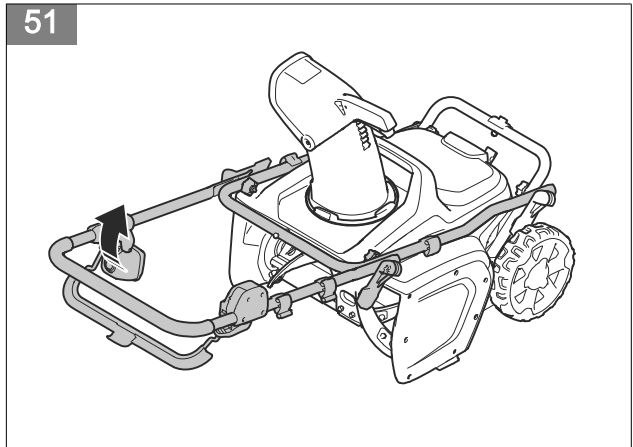
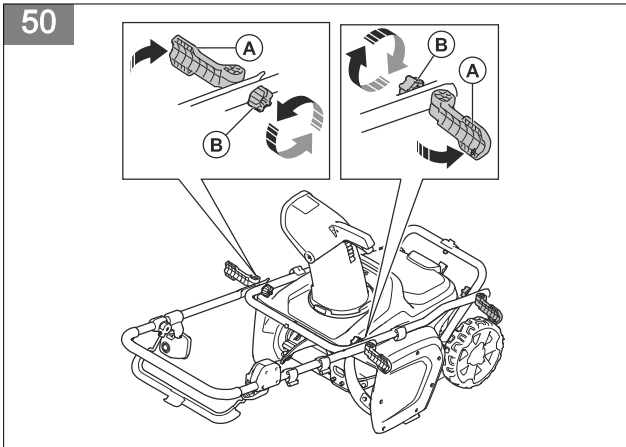
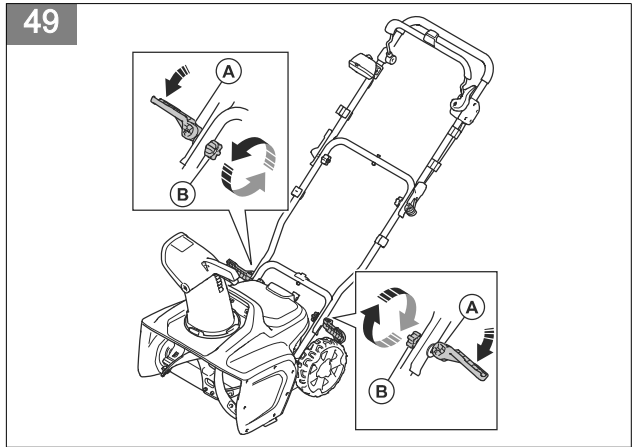
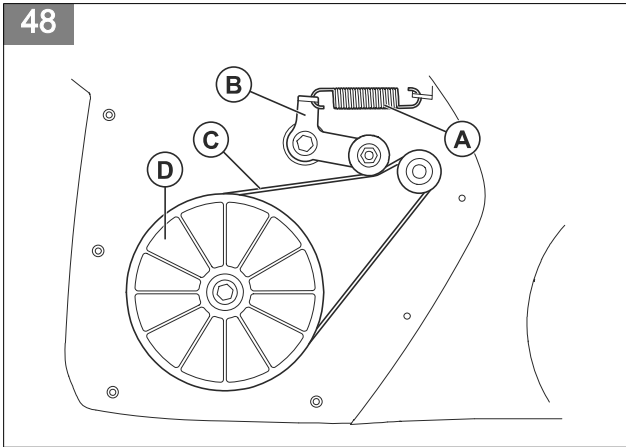
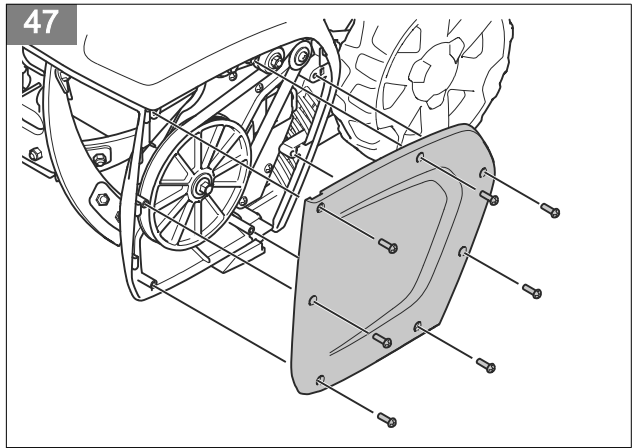
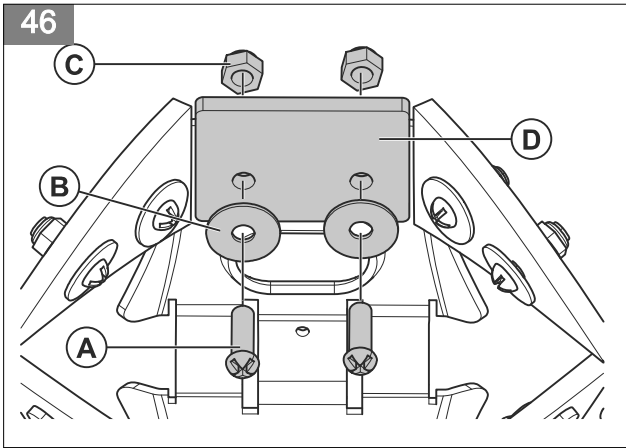


44



45





Contents

Introduction.....	7	Troubleshooting.....	18
Safety.....	8	Transportation, storage and disposal.....	20
Assembly.....	13	Technical data.....	21
Operation.....	13	Declaration of Conformity.....	23
Maintenance.....	15	Applicable to US/CA market.....	23

Introduction

Product description

The product is a snow thrower that is used to remove snow from the ground.

that are greater than 10°. Do not use the product in areas where there is much debris, dirt and protruding stones.

Intended use

This product can be used to remove snow from fields, roads, walkways and driveways. Do not use it on slopes

Product overview

(Fig. 1)

1. Motor brake handle
2. Start inhibitor
3. Clips for storage of the control rod for the discharge chute
4. Safety key
5. Warning indicator (error LED)
6. Battery lid
7. Handle for the discharge chute deflector
8. Discharge chute deflector
9. Discharge chute
10. Auger belt cover
11. Scraper bar
12. Auger pads
13. Auger / auger blades
14. Lift handle
15. Lower handle knobs
16. Upper handle knobs
17. Handle / Handlebar
18. Work light
19. Work light switch
20. Control rod for the discharge chute
21. Operator's manual
22. Battery (Accessory)
23. Battery charger (Accessory)

(Fig. 4)

Noise emission to the environment label as per EU and UK directives and regulations, and New South Wales legislation "Protection of the Environment Operations (Noise Control) Regulation 2017". The guaranteed sound power level of the product is specified in *Technical data on page 21* and on the label.

(Fig. 5)

This product is in accordance with applicable EC directives.

(Fig. 6)

The product has protection against splashing water.

(Fig. 7)

Release the motor brake handle to stop.

(Fig. 8)

The product or package of the product is not domestic waste. Recycle it at a recycling station for electrical and electronic equipment.

(Fig. 9)

Ear protection recommended.

(Fig. 10)

Wear protection gloves.

(Fig. 11)

No operation on slopes more than 10 degrees.

(Fig. 12)

WARNING – Disconnect battery before maintenance.

(Fig. 13)

Beware of thrown objects. Do not direct discharge at bystander.

Symbols on the product

(Fig. 2)

Warning.

(Fig. 3)

Read the instructions.

- (Fig. 14) Keep distance to bystanders. Do not walk in front of a running machine.
- (Fig. 15) Danger! Stop the motor, turn the safety key to 0 and remove the battery before unclogging the discharge chute. Never remove blockages by hand.
- (Fig. 16) Keep your feet away.
- (Fig. 17) Scannable code.

Note: Other symbols/decals on the product refer to certification requirements for some markets.

Label on the product

- (Fig. 18)
DANGER – Keep hands and feet away.
- (Fig. 19)

CAUTION! Use for snow removal only.

Product damage

We are not responsible for damages to our product if:

- the product is incorrectly repaired.
- the product is repaired with parts that are not from the manufacturer or not approved by the manufacturer.
- the product has an accessory that is not from the manufacturer or not approved by the manufacturer.
- the product is not repaired at an approved service center or by an approved authority.

Support

For support about the product, go to the Support section on www.husqvarna.com to access instructions, troubleshooting guides, or to use the Husqvarna Self-Service and the Product Assistant (if available in your market). For more support about the product, speak to your Husqvarna servicing dealer.

Safety

Safety definitions

Warnings, cautions and notes are used to point out specially important parts of the manual.



WARNING: Used if there is a risk of injury or death for the operator or bystanders if the instructions in the manual are not obeyed.



CAUTION: Used if there is a risk of damage to the product, other materials or the adjacent area if the instructions in the manual are not obeyed.

Note: Used to give more information that is necessary in a given situation.

General product safety warnings



WARNING: Read all safety warnings, instructions, illustrations and specifications provided with this product. Failure to follow all instructions listed below may result in electric shock, fire and/or serious injury.

Save all warnings and instructions for future reference. The term "product" in the warnings refers to your mains-operated (corded) product or battery-operated (cordless) product.

Work area safety

- **Keep work area clean and well lit.** Cluttered or dark areas invite accidents.
- **Do not operate the product in explosive atmospheres, such as in the presence of flammable liquids, gases or dust.** The product create sparks which may ignite the dust or fumes.
- **Keep children and bystanders away while operating the product.** Distractions can cause you to lose control.

Electrical safety

- **Product plugs must match the outlet. Never modify the plug in any way. Do not use any adapter plugs with earthed (grounded) products.** Unmodified plugs and matching outlets will reduce risk of electric shock.
- **Avoid body contact with earthed or grounded surfaces, such as pipes, radiators, ranges and refrigerators.** There is an increased risk of electric shock if your body is earthed or grounded.
- **Do not expose products to rain or wet conditions.** Water entering a product will increase the risk of electric shock.
- **Do not abuse the cord. Never use the cord for carrying, pulling or unplugging the product. Keep cord away from heat, oil, sharp edges or moving parts.** Damaged or entangled cords increase the risk of electric shock.
- **When operating a product outdoors, use an extension cord suitable for outdoor use.** Use of a cord suitable for outdoor use reduces the risk of electric shock.

- **If operating a product in a damp location is unavoidable, use a residual current device (RCD) protected supply.** Use of an RCD reduces the risk of electric shock.

Personal safety

- **Stay alert, watch what you are doing and use common sense when operating a product. Do not use a product while you are tired or under the influence of drugs, alcohol or medication.** A moment of inattention while operating products may result in serious personal injury.
- **Use personal protective equipment. Always wear eye protection.** Protective equipment such as dust mask, non-skid safety shoes, hard hat or hearing protection used for appropriate conditions will reduce personal injuries.
- **Prevent unintentional starting. Ensure the switch is in the off-position before connecting to power source and/or battery pack, picking up or carrying the product.** Carrying products with your finger on the switch or energising products that have the switch on invites accidents.
- **Remove any adjusting key or wrench before turning the product on.** A wrench or a key left attached to a rotating part of the product may result in personal injury.
- **Do not overreach. Keep proper footing and balance at all times.** This enables better control of the product in unexpected situations.
- **Dress properly. Do not wear loose clothing or jewellery. Keep your hair and clothing away from moving parts.** Loose clothes, jewellery or long hair can be caught in moving parts.
- **If devices are provided for the connection of dust extraction and collection facilities, ensure these are connected and properly used.** Use of dust collection can reduce dust-related hazards.
- **Do not let familiarity gained from frequent use of products allow you to become complacent and ignore product safety principles.** A careless action can cause severe injury within a fraction of a second.

Product use and care

- **Do not force the product. Use the correct product for your application.** The correct product will do the job better and safer at the rate for which it was designed.
- **Do not use the product if the switch does not turn it on and off.** Any product that cannot be controlled with the switch is dangerous and must be repaired.
- **Disconnect the plug from the power source and/or remove the battery pack, if detachable, from the product before making any adjustments, changing accessories, or storing products.** Such preventive safety measures reduce the risk of starting the product accidentally.
- **Store idle products out of the reach of children and do not allow persons unfamiliar with the product or**

these instructions to operate the product. Products are dangerous in the hands of untrained users.

- **Maintain products and accessories. Check for misalignment or binding of moving parts, breakage of parts and any other condition that may affect the product's operation. If damaged, have the product repaired before use.** Many accidents are caused by poorly maintained products.
- **Keep cutting tools sharp and clean.** Properly maintained cutting tools with sharp cutting edges are less likely to bind and are easier to control.
- **Use the product, accessories and tool bits etc. in accordance with these instructions, taking into account the working conditions and the work to be performed.** Use of the product for operations different from those intended could result in a hazardous situation.
- **Keep handles and grasping surfaces dry, clean and free from oil and grease.** Slippery handles and grasping surfaces do not allow for safe handling and control of the product in unexpected situations.

Battery tool use and care

- **Recharge only with the charger specified by the manufacturer.** A charger that is suitable for one type of battery pack may create a risk of fire when used with another battery pack.
- **Use products only with specifically designated battery packs.** Use of any other battery packs may create a risk of injury and fire.
- **When battery pack is not in use, keep it away from other metal objects, like paper clips, coins, keys, nails, screws or other small metal objects, that can make a connection from one terminal to another.** Shorting the battery terminals together may cause burns or a fire.
- **Under abusive conditions, liquid may be ejected from the battery; avoid contact. If contact accidentally occurs, flush with water. If liquid contacts eyes, additionally seek medical help.** Liquid ejected from the battery may cause irritations or burns.
- **Do not use a battery pack or tool that is damaged or modified.** Damaged or modified batteries may exhibit unpredictable behavior resulting in fire, explosion or risk of injury.
- **Do not expose a battery pack or tool to fire or excessive temperature.** Exposure to fire or temperature above may cause explosion.
- **Follow all charging instructions and do not charge the battery pack or tool outside the temperature range specified in the instructions.** Charging improperly or at temperatures outside the specified range may damage the battery and increase the risk of fire.

Service

- **Have your product serviced by a qualified repair person using only identical replacement parts.** This will ensure that the safety of the product is maintained.

- **Never service damaged battery packs.** Service of battery packs should only be performed by the manufacturer or authorized service providers.

General safety instructions



WARNING: This product can cut off hands and feet and throw objects. Serious injury or death may occur if you do not obey the safety instructions.

- Read, understand and obey the operator's manual and the instructions on the product carefully before you start the product.
- Learn how to use the product and its controls safely and learn how to stop the product quickly.
- Only let operators who are responsible, has the correct training, knows the instructions and are physically capable, to operate the product.
- Do not let children or other persons not approved for operation of the product to use or do servicing on it. Local laws may regulate the age of the user.
- Keep the area of operation clear of all persons, particularly small children, and pets.
- Exercise caution to avoid slipping or falling, especially when operating in reverse.
- Keep in mind that the operator will be held responsible for accidents that involve other persons or their property.
- If a safety decal on the product is damaged or missing, replace the safety decal.

Work area safety

- Thoroughly inspect the area where the product is to be used and remove all doormats, sleds, boards, wires, and other foreign objects.
- Disengage all clutches and shift into neutral before starting the motor.
- Do not operate the product without wearing adequate winter garments. Avoid loose fitting clothing that can get caught in moving parts. Wear footwear that will improve footing on slippery surfaces.
- Always wear safety glasses or eye shields during operation or while performing an adjustment or repair to protect eyes from foreign objects that may be thrown from the product.
- Husqvarna recommends you to use approved hearing protection when you operate the product.
- Adjust the auger housing height to clear gravel or crushed rock surface (if applicable).
- Never attempt to make any adjustments while the motor is running (except when specifically recommended by the manufacturer).
- Let the motor and the product adjust to outdoor temperatures before starting to clear snow.
- While working, always wear substantial footwear and long trousers. Do not operate the product when

barefoot or wearing open sandals. Do not wear loose clothing or clothing with hanging laces or belts.

Safety instructions for operation

Safety devices on the product



WARNING: Read the warning instructions that follow before you use the product.

- Do not use a product with safety devices that are damaged or do not operate correctly.
- Do not remove or do modifications to safety devices.
- Do a check of the safety devices regularly. If the safety devices are damaged or do not operate correctly, speak to your Husqvarna servicing dealer.
- Do not put hands or feet near or under rotating parts. Keep clear of the discharge opening at all times.
- Exercise extreme caution when operating on or crossing gravel drives, walks, or roads, stay alert for hidden hazards or operating near public roads.
- After striking a foreign object, stop the motor, turn the safety key to 0, remove the battery, thoroughly inspect the snow thrower for any damage, and repair the damage before restarting and operating the snow thrower.
- If the product starts to vibrate abnormally, stop the motor and check immediately for the cause. Vibration is generally a warning of trouble.
- Stop the motor, turn the safety key to 0 and remove the battery whenever you leave the operating position, before unclogging the auger housing or the discharge chute deflector, and when making any repairs, adjustments or inspections.
- When cleaning, repairing or inspecting the product, stop the motor, turn the safety key to 0, remove the battery and make certain that the auger and all moving parts have stopped.
- Do not clear snow across the face of slopes; go up and down. Exercise extreme caution when changing direction on slopes. Do not attempt to clear steep slopes. Always be sure of your footing on slopes.
- Never operate the product without proper guards, and other safety protective devices in place and working.
- Never operate the snow thrower near glass enclosures, automobiles, window wells, etc. without proper adjustment of the snow discharge angle. Keep children and pets away.
- Do not overload the product capacity by attempting to clear snow at too fast a rate.
- Never operate the product at high transport speeds on slippery surfaces. Look behind and use care when operating in reverse.
- Never direct the discharge chute deflector toward people or areas where property damage can occur. Keep children and others away.

- Disengage power to the auger when the product is transported or not in use.
- Use only attachments and accessories approved by the manufacturer of the product (such as wheel weights, counterweights, or cabs).
- Never operate the product without good visibility or light. Always be sure of your footing, and keep a firm hold on the handles. Walk; never run.
- Take all possible precautions when leaving the product unattended. Stop the motor, turn the safety key to 0, remove the battery, keep all nuts, bolts and screws tight to be sure the product is in safe working condition.
- Do not touch the auger before you stop the motor, turn the safety key to 0, remove the battery and wait for the auger to come to a complete stop.
- Stop the motor, turn the safety key to 0 and remove the battery if one of the conditions that follow occur:
 - The product is out of view.
 - Before you clear a blockage.
 - Before you examine, clean or do maintenance to the product.
 - Before you examine the product after it has hit an object.
 - If the product makes unusual noise or vibrations. Immediately inspect the product for any damage, and replace or repair any damaged parts before restarting and operating the product, and check for and tighten any loose parts.
- Do not let children use this product. Children shall not play with the product. Cleaning and user maintenance shall not be made by children.
- This product can be used by persons with reduced physical, sensory, or mental capabilities or lack of experience and knowledge if they have been given supervision or instruction concerning use of the product in a safe way and understand the hazards involved.
- Be careful during adjustment of the product to prevent entrapment of the fingers between moving auger and fixed parts of the product.
- Do not lift the product while the motor is running.
- Start and operate the product with caution according to the instructions.
- Do not start the motor if you are standing in front of the discharge chute. Keep away from the discharge opening.
- Do not tilt the product when you start the motor, except if the product has to be tilted for starting. In this case, do not tilt it more than absolutely necessary and lift only the part which is away from the operator.

To do a check of the auger cover

The auger cover decreases vibrations in the product and decreases the risk of injury from the auger blades.

- Examine the auger cover to make sure that there are no damages such as cracks.

To do a check of the safety key

The safety key is below the battery lid. The safety key connects the battery that supplies the motor with power.

- Start and stop the motor to do a check of the safety key.
- If the safety key operates correctly, the motor can only start when the safety key is in position 1. (Fig. 20)

To do a check of the motor brake handle

The motor brake handle stops the motor. When the motor brake handle is released, the motor stops.

- Start the product. Refer to *To start the product on page 14*.
- Release the motor brake handle. (Fig. 21)
- Make sure that the product stops. If the motor does not stop in 3 seconds, let an approved Husqvarna servicing dealer adjust the motor brake.

To do a check of the start inhibitor

Do a check of the start inhibitor to make sure that it prevents operation of the motor.

1. Push the motor brake handle in the direction of the handlebar. The start inhibitor stops the movement.
2. Push the start inhibitor out. (Fig. 22)
3. Release the start inhibitor and make sure that it goes back to its initial position.

Battery safety



WARNING: Read the warning instructions that follow before you use the product.

- Only use Husqvarna approved batteries.
- Do not use non-rechargeable batteries.
- Use the Husqvarna approved batteries as a power supply for the related Husqvarna products only. To prevent injury, do not use the battery as a power supply for other devices.
- Risk of electrical shock. Do not connect the battery terminals to keys, coins, screws or other metal. This can cause a short circuit of the battery.
- Do not put objects into the air slots of the battery.
- Keep the battery away from sunlight, heat or open flame. The battery can explode and cause burns and/or chemical burns.
- Keep the battery away from rain and wet conditions.
- Keep the battery away from microwaves and high pressure.
- Do not try to disassemble or break the battery.
- If the battery leaks, do not let the liquid touch your body or eyes. If you have touched the liquid, clean the area with a large quantity of water and get medical aid.

- Use the battery in the product only when the ambient temperature is between -10 °C/14 °F–25 °C/77 °F.
- Use the battery charger only when the ambient temperature is between 5 °C/41 °F–40 °C/104 °F.
- The battery will not charge if the battery temperature is more than 50 °C/122 °F.
- Do not clean the battery or the battery charger with water. Refer to *To clean the battery and the battery charger on page 17*.
- Do not use a damaged battery.
- Keep batteries in storage away from metal objects such as nails, coins, jewellery.

Battery charger safety



WARNING: Read the warning instructions that follow before you use the product.

- Only use Husqvarna approved battery chargers to charge Husqvarna approved batteries.
- Risk of electrical shock or short circuit. Do not put objects into the air slots of the charger. Do not try to disassemble the battery charger. Do not connect the charger terminals to metal objects. Use an approved mains socket.
- This product produces an electromagnetic field during operation. This field may under some circumstances interfere with active or passive medical implants. To reduce the risk of serious or fatal injury, we recommend persons with medical implants to consult their physician and the medical implant manufacturer before operating this product.
- Regularly make sure that the power cord of the battery charger is not damaged and that there are no cracks in it.
- Do not lift the battery charger by the power cord. To disconnect the battery charger from a mains socket, pull out the plug. Do not pull the power cord.
- Keep the power cord and extension cables away from water, oil and sharp edges. Make sure that the cable is not pinched in doors, fences or equivalent. It can cause the charger to become energized.
- Do not clean the battery charger with water.
- The battery charger can be used by children aged from 8 years and above and persons with reduced physical, sensory, or mental capabilities or lack of experience and knowledge if they have been given supervision or instruction concerning use of the battery charger in a safe way and understand the hazards involved. Children shall not play with the battery charger. Cleaning and user maintenance shall not be made by children without supervision.
- Do not charge non-rechargeable batteries in the battery charger.
- Do not use the battery charger near flammable materials or materials that can cause corrosion. Do not cover the battery charger. Pull out the plug to the battery charger if there is smoke or fire.

- Do not use a damaged battery charger.
- Only charge the battery indoors in a room with good airflow and away from sunlight. Do not charge the battery in wet conditions.

Safety instructions for maintenance



WARNING: Read the warning instructions that follow before you use the product.

- To prevent accidental start during maintenance, turn the safety key to 0 and remove the battery. Wait for a minimum of 10 seconds before you start the maintenance.
- Only do the maintenance work written in this operator's manual. More extensive work and professional repairs must be done by an approved Husqvarna servicing dealer. Speak to your nearest Husqvarna servicing dealer for more information.
- Do the maintenance work correctly to increase the lifetime of the product and decrease the risk of accidents.
- Replace damaged, worn or broken parts. Always use original spare parts from the manufacturer. Other spare parts can cause damage to the product and increase the risk of accidents.
- To prevent injury, do not remove or do modifications to safety devices.
- Use protective gloves when you do maintenance on the auger blades. The auger blades are very sharp and cuts can easily occur.
- The auger can still be moved when the motor is off.
- Let your Husqvarna servicing dealer regularly examine the product and make necessary adjustments and repairs.
- Obey the instructions for how to change accessories. Only use accessories from the manufacturer.
- The noise and vibration emissions from this product during operation can be different from the declared emission values in *Technical data on page 21*. The accurate values and risk of injury to the operator is an effect of how you use and do maintenance on the product, operation times, and the physical condition of the operator. If you operate the product frequently for long periods of time, to prevent the risk of injury, divide the work and take breaks regularly to decrease the daily operation time.
- When not in operation, keep the product, battery and battery charger apart in a dry, indoor and locked area. Make sure that children and persons that are not approved cannot get access to the product, battery or battery charger.
- Be careful during adjustment of the product to prevent entrapment of the fingers between moving auger and fixed parts of the product.
- Refer to *Storage on page 21* for instructions of how to store the product for an extended period.

SAVE THESE INSTRUCTIONS

Assembly

Introduction



WARNING: Before you assemble the product, read the safety chapter.



WARNING: To prevent accidental start during assembly, turn the safety key to 0, remove the battery and wait at minimum 10 seconds.

To assemble the handle



WARNING: Do not operate the product unless the handle is fully folded up.



CAUTION: Make sure that there is not too much tension in the cables. Too much tension can cause damage to the cable if the handle is folded into transport position.

1. Remove the control rod for the discharge chute from the 2 clips on the side of the product. (Fig. 23)
 2. Fold the upper handle forward. (Fig. 24)
 3. Push in the 2 upper handle knobs (A). (Fig. 25)
 4. Tighten the 2 knobs (B) if it is necessary.
 5. Fold the handle rearward until it is in the end position. Make sure that the cables are in the correct position and that you do not damage or pull the cables. (Fig. 26)
 6. Push in the 2 lower handle knobs (C). (Fig. 27)
 7. Tighten the 2 knobs (D) if it is necessary.
-

8. Install the control rod for the discharge chute. Refer to *To install the discharge chute on page 13*.

To install the discharge chute

1. Hold the discharge chute (A) on the top of the auger housing with the discharge opening in the direction of the front of the product. (Fig. 28)
2. Push the discharge chute in the direction of the battery lid. Make sure that the flange on the discharge chute go into the tabs (B) on the chute base (C).
3. Make sure that the hole in the discharge chute (D) align with the hole in the chute base.
4. Install the screw.

To install and remove the control rod for the discharge chute

1. Make sure that the opening of the discharge chute is in the direction in the front of the product.
 2. Push the rod connector (A) in the direction of the lower handle until it locks in position. (Fig. 29)
 3. Remove the pin (B).
 4. Put the control rod for the discharge chute (C) through the hole in the bracket on the handle (D). (Fig. 30)
 5. Turn the handle (E) of the control rod for the discharge chute in the direction of the ground.
 6. Put the control rod for the discharge chute into the hole in the rod connector (A) on the lower handle. (Fig. 31)
 7. Install the pin (B).
 8. Remove in the opposite sequence.
-

Operation

Introduction



WARNING: Before you operate the product, you must read and understand the safety chapter.

Husqvarna Connect

Husqvarna Connect is a free app for your mobile device. The Husqvarna Connect app gives extended functions for your Husqvarna product:

- Extended product information.
- Information about, and help with, product parts and servicing.

To start to use Husqvarna Connect

1. Download the Husqvarna Connect app on your mobile device.
2. Register in the Husqvarna Connect app.
3. Do the instruction steps in the Husqvarna Connect app to connect and register the product.

Battery



WARNING: Before you use the battery, you must read and understand the safety chapter. You must also read and understand the operator's manual for the battery and the battery charger.

Keep the battery and the battery charger in correct ambient temperatures.

	Ambient temperature
Operation of the battery	-10 °C/14 °F–25 °C/77 °F
Charging of the battery	5 °C/41 °F–40 °C/104 °F

Battery status

The display shows the remaining battery capacity and if there are problems with the battery. Push the battery indicator button to get information of the state of charge of the battery. The warning symbol on the battery is on when an error has occurred. Refer to *Battery on page 13*.

(Fig. 32)

LED lights	Battery status
All LEDs are lit	Fully charged (76-100%)
LED 1, LED 2, LED 3 are lit	The battery is 51%-75% charged
LED 1, LED 2 are lit	The battery is 26%-50% charged
LED 1 is lit	The battery is 6%-25% charged.
LED 1 flashes	The battery is 0%-5% charged.

To charge the battery

Charge the battery before the first use. The battery is only 30% charged when supplied to the customer.

Note: The battery charger must be connected to the voltage and frequency specified on the rating plate.

The battery does not charge if the battery temperature is above 50 °C/122 °F. The battery charger decreases the temperature of the battery before it starts to charge.

1. Connect one end of the power cord for the battery charger into the socket of the battery charger.
2. Connect the other end of the power cord for the battery charger in an grounded mains socket. The LED on the battery charger flashes green one time. (Fig. 33)
3. Put the battery in the battery charger. The green light on the charger comes on when the battery is correctly connected to the battery charger. (Fig. 34)
4. When all LEDs on the battery have come on the battery is fully charged. Charge the battery for maximum 24 hours.

5. To disconnect the battery charger from the mains socket, pull the plug, not the power cord.
6. Remove the battery from the battery charger.

Introduction



WARNING: Before you do maintenance, you must read and understand the safety chapter.

For all servicing and repair work on the product, special training is necessary. We guarantee the availability of professional repairs and servicing. Speak to your Husqvarna servicing dealer.

For more detailed information, refer to www.husqvarna.com.

To start the product

1. Assemble the handle if it is necessary. Refer to *To assemble the handle on page 13*.



WARNING: Do not operate the product unless the handle is fully folded up.

2. Make sure that the control rod for the discharge chute is installed. Refer to *To install and remove the control rod for the discharge chute on page 13*.
3. Make sure that the product is not full of snow. Remove snow from the auger and the discharge chute if it is necessary.
4. Open the battery lid.



CAUTION: Make sure that snow does not enter the battery compartment.

5. Put a charged battery in the battery holder.
6. Turn the safety key to 1. (Fig. 35)
7. Close the battery lid.
8. Stay behind the product.
9. Loosen the start inhibitor. (Fig. 22)
10. Push the motor brake handle in the direction of the handlebar. (Fig. 36)

To adjust the discharge chute

- Turn the handle of the control rod for the discharge chute (A) to the left to turn the discharge chute (B) to the right. (Fig. 37)
- Turn the handle of the control rod for the discharge chute (A) to the right to turn the discharge chute (B) to the left.

To adjust the discharge chute deflector



WARNING: Stop the motor before you adjust the discharge chute deflector.

- To increase the snow throwing distance, push and hold the handle trigger (A) on the handle for the discharge chute deflector (B) and pull the discharge chute deflector rearward. (Fig. 38)
- To decrease the snow throwing distance, push the handle for the discharge chute deflector (B) forward.

Note: It is not necessary to push the handle trigger (A) when you push the handle for the discharge chute deflector (B) forward.

To stop the product



WARNING: Turn the safety key to 0 before you let the product out of view.

1. Release the motor brake handle to stop the motor and disengage the auger blades. (Fig. 39)
2. Open the battery lid.



CAUTION: Make sure that snow does not enter the battery compartment.

3. Turn the safety key to 0. (Fig. 40)
4. Push the 2 release buttons and pull out the battery. (Fig. 41)
5. Close the battery lid.
6. Charge the battery if it is weak. Refer to *To charge the battery on page 14*.
7. Follow the steps in *To do after use of the product on page 15*.

To use the work light

1. Set the work light switch to the “1” position when the work light is needed. (Fig. 42)

2. Adjust the work light forward or rearward to the wanted position. (Fig. 43)
3. Tighten the screw if it is necessary.
4. Set the work light switch to the “0” position when the work light is no longer needed.

To do after use of the product

Note: Controls and moving parts can be blocked by ice. Do not apply much force to the controls.

1. Move the product to a dry area without snow.
2. Turn the discharge chute deflector to the left direction and to the right direction to remove ice and water
3. Stop the product.
4. Turn the safety key to 0.
5. Remove the battery and wait for a minimum of 10 seconds.
6. Remove snow and loose ice from the product.
7. Remove snow and loose ice from the base of the discharge chute.
8. Remove snow and loose ice from the auger.



WARNING: Use protective gloves. The auger blades are sharp and cuts can easily occur.

To get a good result

- Adjust your walking speed to the quantity of snow on the ground. Walk slow if there is much snow on the ground.
- It is easier and more efficient to remove snow immediately after it falls.
- Always throw snow downwind when it is possible.
- Replace the scraper bar if it is damaged.
- Make sure that there is no blockage in the discharge chute deflector before you start the product.

Maintenance

Maintenance schedule

The maintenance intervals are calculated from daily use of the product. The intervals change if the product is not used daily.

For maintenance identified with * refer to instructions in *Safety on page 8*.

	Each use	Monthly	Each season
Do a general inspection.	X		
Clean the product.	X		

	Each use	Monthly	Each season
Do a check of the start inhibitor.*	X		
Do a check of the safety key.*	X		
Do a check of the motor brake handle.*	X		
Do a check of the auger cover.*	X		
Do a check of the auger blades and make sure that they are not loose or damaged.	X		
Do a check of the auger pads and make sure that they are not loose or damaged.	X		
Examine the battery for damage.	X		
Do a check of the battery charge.	X		
Make sure that the release buttons on the battery operates correctly and that the battery locks into the product.		X	
Examine the battery charger for damage and make sure that it operates correctly.		X	
Do a check of the auger belt.			X
Examine the connections between the battery and the product. Also examine the connection between the battery and the battery charger.			X

To do a general inspection

- Make sure that the nuts and screws on the product are tightened.
- Make sure that the cables on the product are not in a position where they can get damaged.

To clean the product



WARNING: Use protective gloves. The auger blades are sharp and cuts can easily occur.

- Clean plastic parts with a clean and dry cloth.
- Do not use water to clean the product. Water can enter the battery or the motor and cause short circuit or damage to the product.
- Do not use a high pressure washer to clean the product.
- Do not flush water directly on the motor.
- Use a brush to remove snow and dirt.
- Remove snow and loose ice from the product.



WARNING: To prevent accidental start, turn the safety key to 0, remove the battery and wait a minimum of 10 seconds.

To clear a blockage in the discharge chute



WARNING: To prevent accidental start, turn the safety key to 0, remove the battery and wait a minimum of 10 seconds.



WARNING: Use protective gloves. The auger blades are sharp and cuts can easily occur.



WARNING: Hand contact with the rotating auger inside the discharge chute is the most common cause of the injury associated with snow thrower. Never use your hand to clean out the discharge chute.

1. Stop the motor, turn the safety key to 0 and remove the battery.
2. Wait for 10 seconds and make sure that the auger does not move.
3. Use a clearing stick or a brush to remove the clogged snow.

To replace the scraper bar



WARNING: To prevent accidental start, turn the safety key to 0, remove the battery and wait a minimum 10 seconds.



WARNING: Use protective gloves. The auger blades are sharp and cuts can easily occur.

Replace the scraper bar if it is worn or damaged.

1. Tilt the product and put it on its side.
2. Remove the 5 screws. (Fig. 44)
3. Remove the scraper bar.
4. Install the new scraper bar with the flat side in the direction of the product.
5. Install the 5 screws.

To examine the auger blades



WARNING: To prevent accidental start, turn the safety key to 0, remove the battery and wait a minimum 10 seconds.



WARNING: Use protective gloves. The auger blades are sharp and cuts can easily occur.

1. Tilt the product and put it on its side.
2. Examine the auger blades for wear or damages. Always replace damaged auger blades. Refer to *To replace the auger blades on page 17.*

To replace the auger blades



WARNING: To prevent accidental start, turn the safety key to 0, remove the battery and wait a minimum 10 seconds.



WARNING: Use protective gloves. The auger blades are sharp and cuts can easily occur.

1. Tilt the product and put it on its side.
2. Remove the 4 screws (A), the 4 washers (B) and the 4 nuts (C) on the 4 auger blades (D). (Fig. 45)
3. Remove the 4 auger blades (D).
4. Install the new auger blades in the opposite sequence.

To replace the auger pads



WARNING: To prevent accidental start, turn the safety key to 0, remove the battery and wait a minimum 10 seconds.



WARNING: Use protective gloves. The auger blades are sharp and cuts can easily occur.

1. Tilt the product and put it on its side.
2. Remove the 2 screws (A), the 2 washers (B) and the 2 nuts (C) on the 2 auger pads (D). (Fig. 46)
3. Remove the 2 auger pads (D).
4. Install the new auger pads in the opposite sequence.

To do a check of the auger belt



WARNING: To prevent accidental start, turn the safety key to 0, remove the battery and wait a minimum 10 seconds.

1. Tilt the product and put it on its right side.
2. Remove the 7 screws and the auger belt cover. (Fig. 47)
3. Do a check of the auger belt. Replace the auger belt if it is worn or damaged. Refer to *To replace the auger belt on page 17.*
4. Install the auger belt cover in the opposite sequence.

To replace the auger belt



WARNING: To prevent accidental start, turn the safety key to 0, remove the battery and wait a minimum 10 seconds.

1. Tilt the product and put it on its right side.
2. Remove the 7 screws and the auger belt cover. (Fig. 47)
3. Remove the spring (A) from the belt tensioner (B). (Fig. 48)
4. Remove the auger belt (C) from the pulley (D).
5. Remove the auger belt.
6. Install the new auger belt in the opposite sequence.
7. Install the auger belt cover in the opposite sequence.

To clean the battery and the battery charger



WARNING: Do not clean the battery or the battery charger with water.



WARNING: Do not use any chemical substances to clean the battery.

- Clean the battery terminals with compressed air or use a soft and dry cloth.
 - Clean the surfaces of the battery and the battery charger with a soft and dry cloth.
- Make sure that the battery and the battery charger are clean and dry before you put the battery into the battery charger.

Troubleshooting

Battery

LED on the battery	Cause	Solution
The green LED flashes.	The battery voltage is low.	Charge the battery. Refer to <i>To charge the battery on page 14.</i>
The battery error LED flashes.	The battery is too cold or too hot to use.	Let the battery cool down or move it indoors to warm it up. When the battery has the correct temperature, it can be used again. Use the battery in the product only when the ambient temperature is -10 °C/14 °F–25 °C/77 °F.
	The battery is empty.	Charge the battery. Refer to <i>To charge the battery on page 14.</i>
The battery error LED comes on.	There is a permanent battery error.	Speak to your Husqvarna servicing dealer.

Battery charger

LED on the battery charger	Cause	Solution
The error LED flashes or comes on.	The battery charger is too cold or too hot to use.	Let the battery charger cool down or move it indoors to warm it up. When the battery charger has the correct temperature, it can be used again. Use the battery charger when the ambient temperature is 5 °C/41 °F–40 °C/104 °F.
	Other errors.	Speak to your Husqvarna servicing dealer.

Product

If you cannot find a solution to your problems in this operator's manual, speak to your Husqvarna servicing dealer.

Problem	Possible cause	Solution
Too much vibration or handle movement.	Loose parts.	Tighten all fasteners. Replace the damaged parts. If the vibration remains, speak to your Husqvarna servicing dealer.
	The auger is damaged.	
	The handle is not installed correctly.	Make sure that the handle is fully folded up and locked in position.

Problem	Possible cause	Solution
Loss of snow discharge or slowing of snow discharge.	The auger belt is worn or damaged.	Check / replace the auger belt. Adjust the pulley.
	The auger belt is off the pulley.	Check / replace the auger belt. Adjust the pulley.
	The discharge chute is clogged.	Clean the discharge chute.
	Foreign objects or ice clog the auger.	Turn the safety key to 0 to prevent accidental start. Remove the battery and wait a minimum of 10 seconds. Remove possible obstacles and make sure that the auger can rotate freely. Let the product become warm.
	The auger pads are worn or damaged.	Replace the auger pads. Refer to <i>To replace the auger pads on page 17.</i>
Failure of auger rotation when the motor brake handle is pushed.	Foreign objects or ice clog the auger.	Turn the safety key to 0 to prevent accidental start. Remove the battery and wait a minimum of 10 seconds. Remove possible obstacles and make sure that the auger can rotate freely. Let the product become warm.
	The battery is empty.	Charge the battery. Refer to <i>To charge the battery on page 14.</i>
	Incorrect start procedure.	Make sure that you use the correct start procedure. Refer to <i>To charge the battery on page 14.</i>
	The auger belt is not aligned.	Adjust the auger belt.
The control rod for the discharge chute is difficult to move.	There is snow or ice on the base of the discharge chute.	Remove snow and ice from the base of the discharge chute.
	There is snow or ice on the base of the control rod for the discharge chute.	Remove snow and ice from the base of the control rod for the discharge chute.
A layer of snow is left on the ground.	The scraper bar is worn.	Replace the scraper bar.

Warning indicator (error LED)

The warning indicator (error LED) is found below the battery lid.

Problem	Number of flashes on the error LED	Cause	Solution
Error LED flashes. The product does not operate correctly.	3	The auger is blocked.	Turn the safety key to 0 to prevent accidental start. Remove the battery and wait a minimum of 10 seconds. Remove possible obstacles and make sure that the auger can rotate freely. If the problem continues, speak to your Husqvarna servicing dealer.
	5	The motor speed drops too much, and the motor stops.	Move the product forward at a lower speed.
			Decrease the width of the path.
10	The motor control is too hot.	Stop the motor and wait until it has become cool.	
Error LED flashes. The product stops.	No flashes	Battery connector failure.	Examine the battery connector.
	3	There is overload in the motor.	Move the product forward at a lower speed.
			Decrease the width of the path.
	8	The battery is weak.	Charge the battery. Refer to <i>To charge the battery on page 14.</i>
	9	Battery error or no signal from battery.	Put the battery in the product correctly and examine the battery connector. If the error LED on the battery flashes. Refer to <i>Battery status on page 14.</i>
15	Incorrect start procedure. The motor brake handle has been engaged before the motor starts.	Release the motor brake handle and wait approximately 10 seconds. Push the motor brake handle down again to start the product.	
Other errors.	If other errors occur, turn the safety key to 0, remove the battery and speak to your Husqvarna servicing dealer.		

Transportation, storage and disposal

Introduction



WARNING: To prevent accidental start during transport and storage turn the safety key to 0, remove the battery and wait a minimum of 10 seconds.

To set the product in transport position

1. Stop the product. Refer to *To stop the product on page 15.*
2. Turn the discharge chute to the side. Refer to *To adjust the discharge chute on page 14.*
3. Turn the discharge chute deflector slightly down. Refer to *To adjust the discharge chute deflector on page 15.*
4. Remove the control rod for the discharge chute. Refer to *To install and remove the control rod for the discharge chute on page 13.*
5. Pull out the 2 lower handle knobs (A). Loosen the 2 knobs (B) if it is necessary. (Fig. 49)
6. Fold the handle forward until it is in the end position.



CAUTION: Make sure that you remove the discharge chute control rod before you fold the handle.

7. Pull out the 2 upper handle knobs (A). Loosen the 2 knobs (B) if it is necessary. (Fig. 50)
8. Fold the upper handle rearward. (Fig. 51)
9. Attach the control rod for the discharge chute to the 2 clips on the side of the product. (Fig. 52)

Transportation

- The Dangerous Goods Legislation requirements apply to the contained Li-ion batteries.
- For commercial transports special requirements on package and labels must be obeyed.
- Make sure that you obey the regulations for dangerous material when you prepare the product for transport. Local regulations can apply.
- Always remove the battery for transport.
- Put tape on the battery connectors and make sure that the battery cannot move around during transport.
- Attach the product during transport.

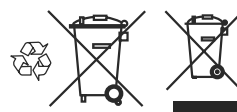
Storage

- Before storage, let the product become cool.
- Always remove the battery or batteries (if applicable) for storage.
- Always check the product for damage before storage.
- To prevent accidents, make sure that the battery or batteries (if applicable) are not connected to the product during storage.
- Keep the battery charger in a closed and dry space.
- Keep the battery or batteries (if applicable) and the battery charger in a dry space where there is no moisture or frost.
- Disconnect the battery from the battery charger during storage.
- Do not keep the battery where static electricity can occur. Do not keep the battery in a metal box.

- Keep the product in a dry and frost-free area where the ambient temperature is between -10 °C/14 °F–40 °C/104 °F.
- Keep the battery where the ambient temperature is between 5 °C/41 °F–25 °C/77 °F and out of sunlight.
- Keep the battery charger where the ambient temperature is between 5 °C/41 °F–45 °C/113 °F and out of sunlight.
- Make sure that the battery is charged to 30 %–50 % before you put it in storage for long periods.
- Keep the product, battery and battery charger in a locked area out of reach for children and not approved persons.
- Clean the product.
- Do the maintenance procedures given in this operator's manual. Refer to *Maintenance schedule on page 15*.
- Do a complete servicing before you put the product in storage for a long time.

Disposal

The symbol means that the product is not domestic waste. Recycle it through your local collection system for electrical and electronic equipment. This contributes to proper end of life waste management. Contact local authorities, domestic waste services, your dealer or retailer for information. Incorrect disposal may have potential negative effects on the environment and human health, due to the potential presence of hazardous substances.



Note: The symbol shows on the product or package of the product.

Technical data

Technical data

	ST 143i
Auger motor	
Motor type	BLDC (brushless) 36V
Motor speed – max, rpm (revolutions per minute)	2750/min
Motor speed – min, rpm (revolutions per minute)	N/A
Motor output – max. kW	1.3
Motor output – Nominal, kW	0.9
Drive motor	
Motor output – Nominal, kW	N/A

	ST 143i
Self walk speed, mph / km/h	N/A
Speed adjustment levels	N/A
Weight	
Weight (excl. battery), lb/kg	40.8/18.5
Weight (incl. 1x BLi30), lb/kg	45.2/20.5
Battery	
Type of battery	Husqvarna Battery Series
Battery runtime	
Battery runtime, min, (free run) at max. rpm, with one Husqvarna 7.5 Ah battery (BLi30).	37
Noise and vibration emissions ¹	
Sound power level, measured dB (A)	91
Sound power level, guaranteed L _{WA} dB (A)	95
Sound levels ²	
Sound pressure level at the operator's ear, dB (A)	76
Vibration levels ³	
Handle vibrations, m/s ²	2.8
Intake	
Intake height, in./mm	10.6/270
Intake width, in./mm	16.9/430

Approved batteries	Type	Battery capacity, Ah	Voltage, V	Weight, lb/kg
40-B140	Lithium-ion	4.0	36	2.6/1.2
BLi30	Lithium-ion	7.5	36	4.2/1.9

Approved chargers for the specified batteries, BLi	Input voltage, V	Frequency, Hz	Power, W
40-C80	100–240	50–60	68.8
QC250	100–240	50–60	250

- ¹ Noise and vibration emissions has been measured in accordance with EN 62841-1. The declared values may be used for comparison with the declared values of other products tested in accordance with the same standard, and in a preliminary assessment of exposure.
- ² Reported data for noise pressure level has an uncertainty factor (K) of 1.6 dB (A).
- ³ Reported data for vibration level has an uncertainty factor (K) of 1.6 m/s².

Declaration of Conformity

EU Declaration of Conformity

We, **Husqvarna AB**, SE-561 82 Huskvarna, Sweden, tel: +46-36-146500, declare on our sole responsibility that the product:

Description	Snow thrower
Brand	Husqvarna
Type / Model	ST 143i
Identification	Serial numbers dating from 2024 and onwards

complies fully with the following EU directives and regulations:

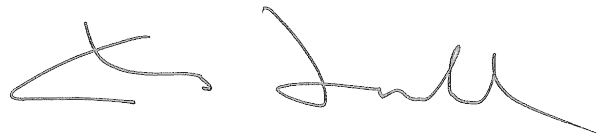
Regulation	Description
2011/65/EU	"on the restriction of the use of certain hazardous substances in electrical and electronic equipment"
2006/42/EC	"relating to machinery"
2014/30/EU	"relating to electromagnetic compatibility"
2000/14/EC	"relating to the noise emissions in the environment"

and that the following standards and/or technical specifications are applied: EN ISO 12100:2010, EN 62841-1:2015+AC:2015+A11:2022, EN ISO 8437-1:2021, EN ISO 8437-2:2021, EN ISO 8437-4:2021, EN 55014-1:2017, A11:2020, EN IEC 55014-1:2021, EN 55014-2:1997/A1:2001/A2:2008/AC:1997, EN IEC 55014-2:2021, EN ISO 3744:2010, EN ISO 11201:2010, EN ISO 11688-1:1995, EN IEC 63000:2018

SMP Svensk Maskinprovning AB has also verified agreement with annex V of the council's directive 2000/14/EC.

For information relating to noise emissions, refer to *Technical data on page 21*.

Husqvarna, 2025-04-28



Claes Losdal, Development Manager/Garden Products
Husqvarna AB

Responsible for technical documentation



Applicable to US/CA market

Supplier's Declaration of Conformity

Responsible party: Husqvarna Professional Products, Inc. 9335 Harris Corners Parkway Charlotte, NC 28269 United States, USA Tel: +1 704 597 5000, www.husqvarna.com/us/support/e-mail/.

Compliance requirements

Note: This equipment has been tested and found to comply with the limits for a Class B digital device, pursuant to part 15 of the FCC Rules. These limits are designed to provide reasonable protection against harmful interference in a residential installation. This equipment generates, uses and can radiate radio frequency energy and, if not installed and used in accordance with the instructions, may cause harmful interference to radio communications. However, there

is no guarantee that interference will not occur in a particular installation. If this equipment does cause harmful interference to radio or television reception, which can be determined by turning the equipment off and on, the user is encouraged to try to correct the interference by one or more of the following measures:

- Reorient or relocate the receiving antenna.
 - Increase the separation between the equipment and receiver.
 - Connect the equipment into an outlet on a circuit different from that to which the receiver is connected.
 - Consult the dealer or an experienced radio/TV technician for help.
-