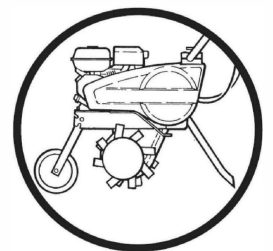




EN Operating manual
DE Benutzerhandbuch
FR Manuel d'utilisation


M3000063402-20


ES Manual de uso
IT Istruzioni per l'uso
NL Gebruikshandleiding



TF435P

TF 435P

EN **User manual** *(Translation of the original manual)*
MOTOR HOE
 Read the instructions in the user manual.
Become familiar with the operation and controls of the machine.

DE **Benutzerhandbuch** *(Übersetzung der Originalbetriebsanleitung)*
MOTORHACKE
 Die Anweisungen im Benutzerhandbuch durchlesen.
Sich mit den Funktionen und Bedienelementen der Maschine vertraut machen.

FR **Manuel d'utilisation** *(Notice originale)*
MOTOBINEUSE
 Lire les instructions du manuel utilisateur.
Se familiariser avec le fonctionnement et les commandes de la machine.

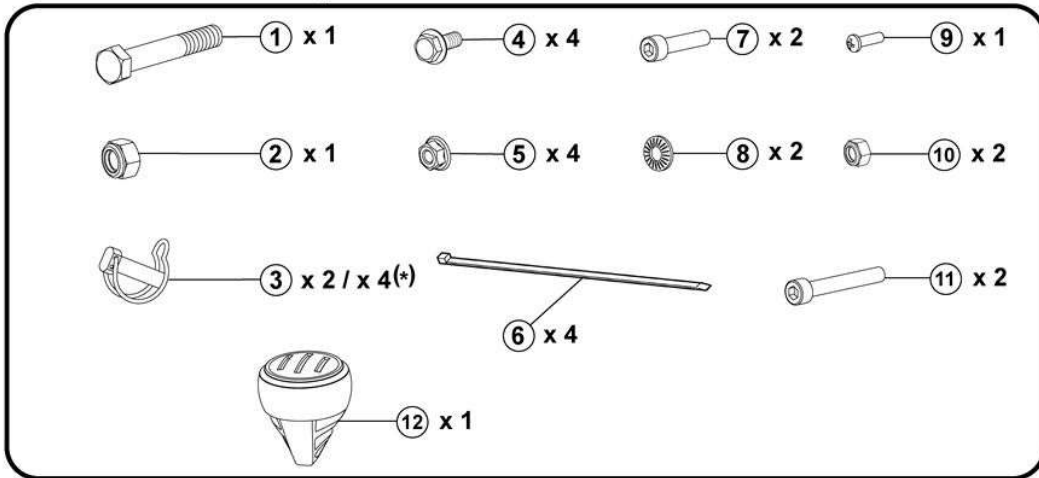
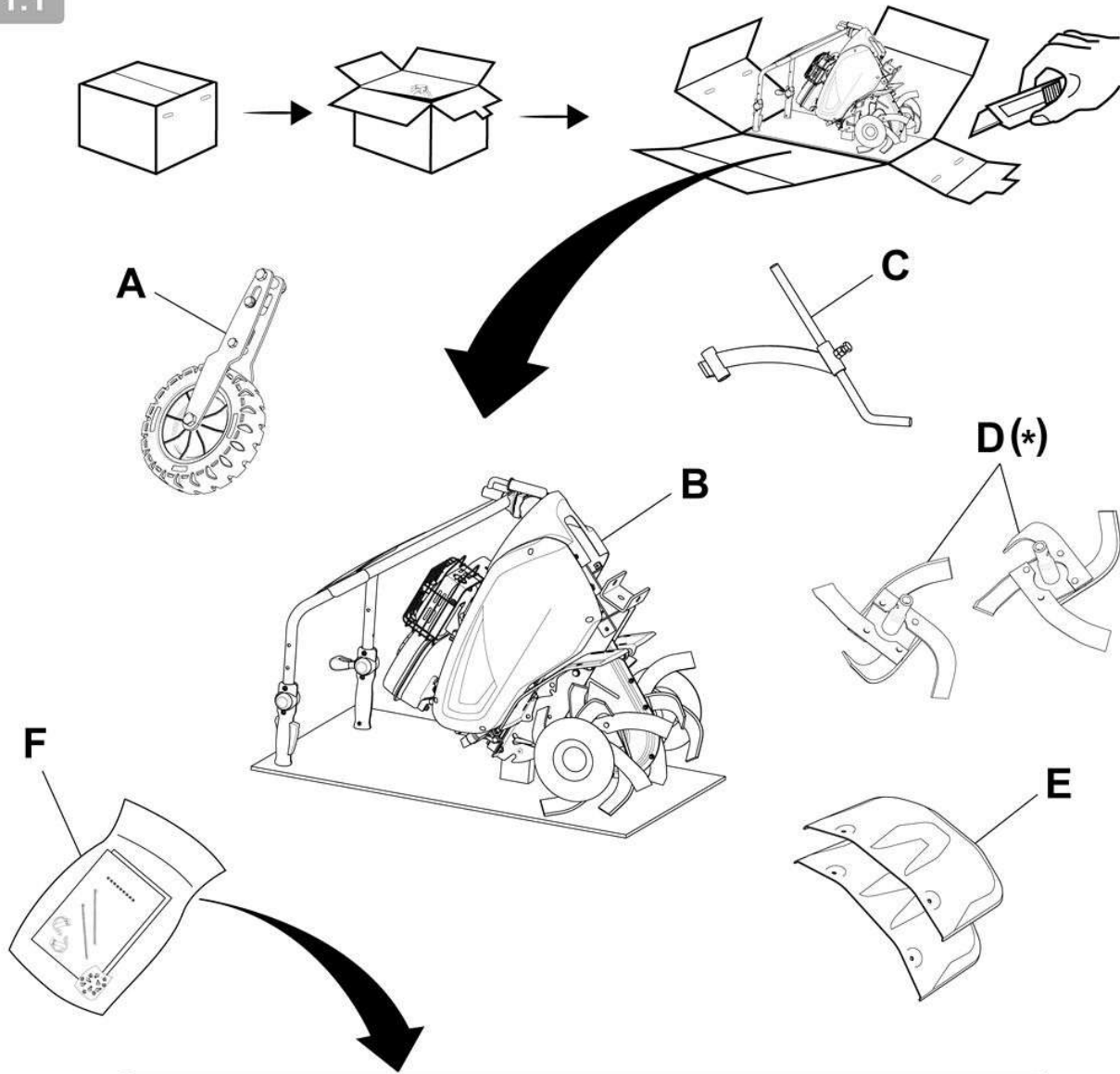
ES **Manual de uso** *(Traducción del manual original)*
MOTOAZADA
 Leer las instrucciones del manual del usuario.
Familiarizarse con el funcionamiento y los mandos de la máquina.

IT **Manuale di istruzioni** *(Traduzione delle istruzioni originali)*
MOTOZAPPA
 Leggere le istruzioni contenute nel manuale per l'utente.
Informarsi sul funzionamento e sui comandi della macchina.

NL **Gebruikshandleiding** *(Vertaling van de originele handleiding)*
MOTORHAKFREES
 Lees de instructies van de gebruikershandleiding.
Maak u vertrouwd met de werking en de bedieningselementen van de machine.



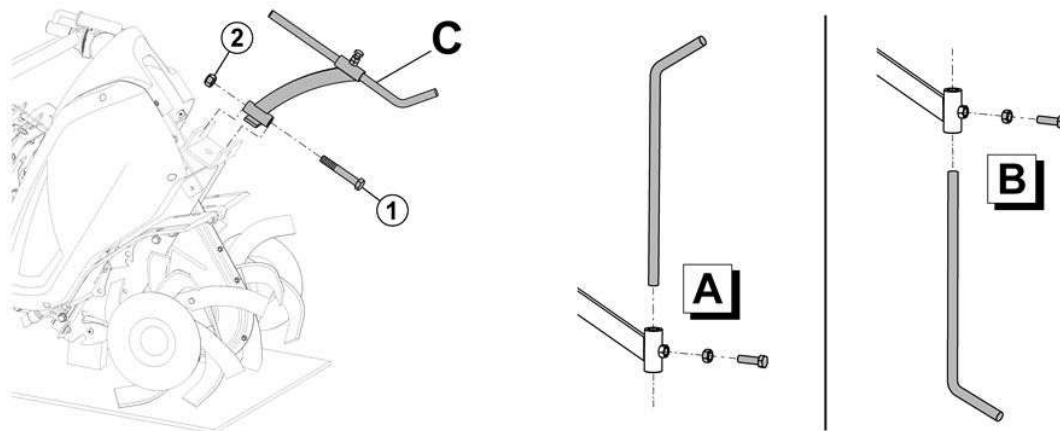
1.1



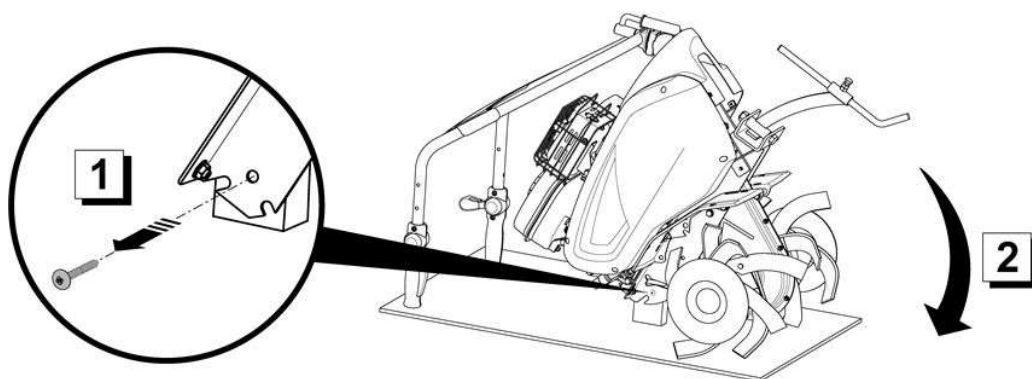
(*): FR : (suivant version) - EN : (depending on the version) - DE : (je nach Ausführungsvariante) - BG : (според варианта)
 HR : (ovisno o verziji) - DA : (Afhængigt af version) - ES : (Según versión) - ET : (järgmine versioon) - FI : (mallista riippuen)
 EL : (ανάλογα με το μοντέλο) - HU : (verziótól függően) - IT : (A seconda del modello) - LV : (atkarībā no versijas)
 LT : (priklausomai nuo versijos) - NL : (Naar gelang model) - NO : (Avhengig av versjon) - PL : (Zależnie od wersji)
 PT : (Consoante versão) - RO : (În funcție de versiune) - TR : (versiyona göre) - SK : (v závislosti od verzie) - SL : (odvisno od verzije)
 SV : (beroende på version) - CZ : (v závislosti na provedení) - UK : (в залежності від версії) - RU : (В зависимости от модификации)



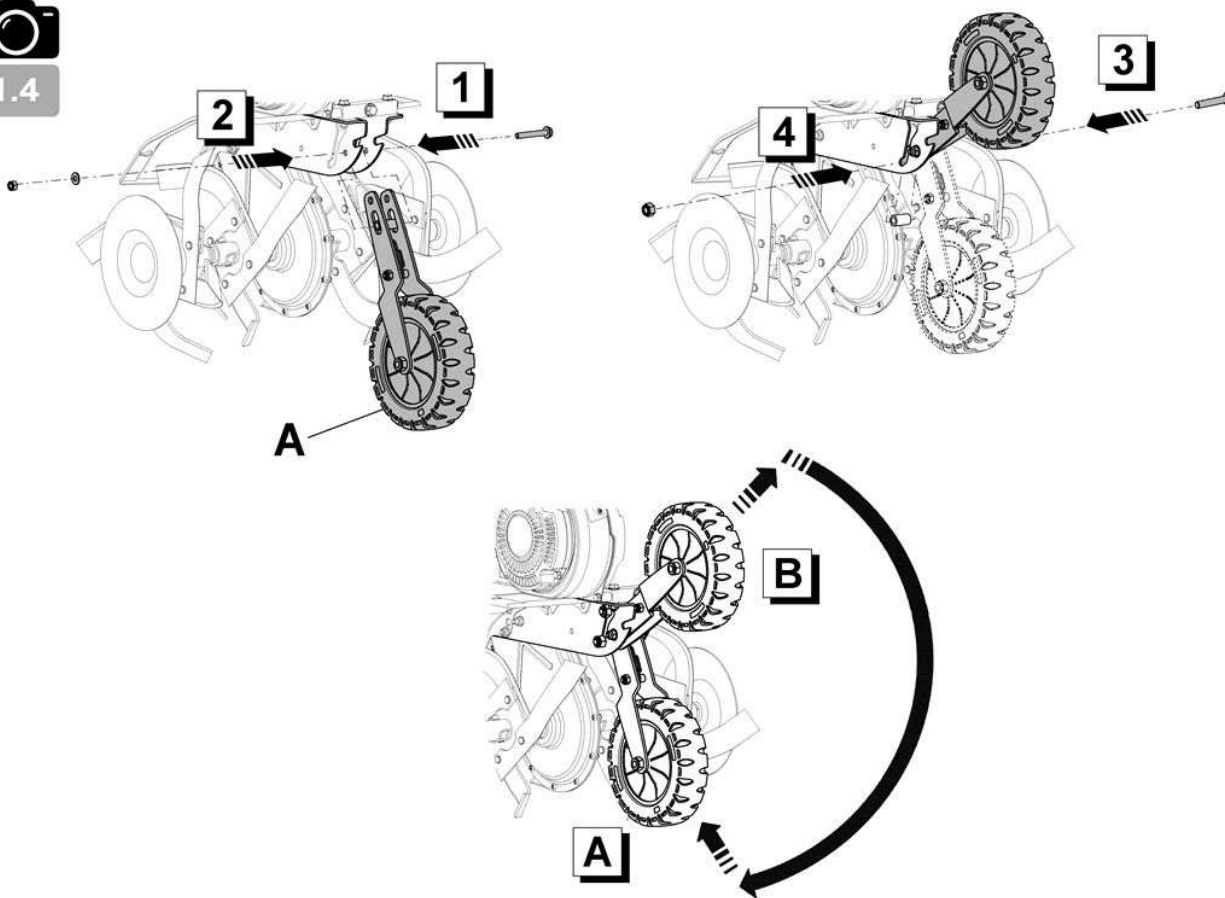
1.2

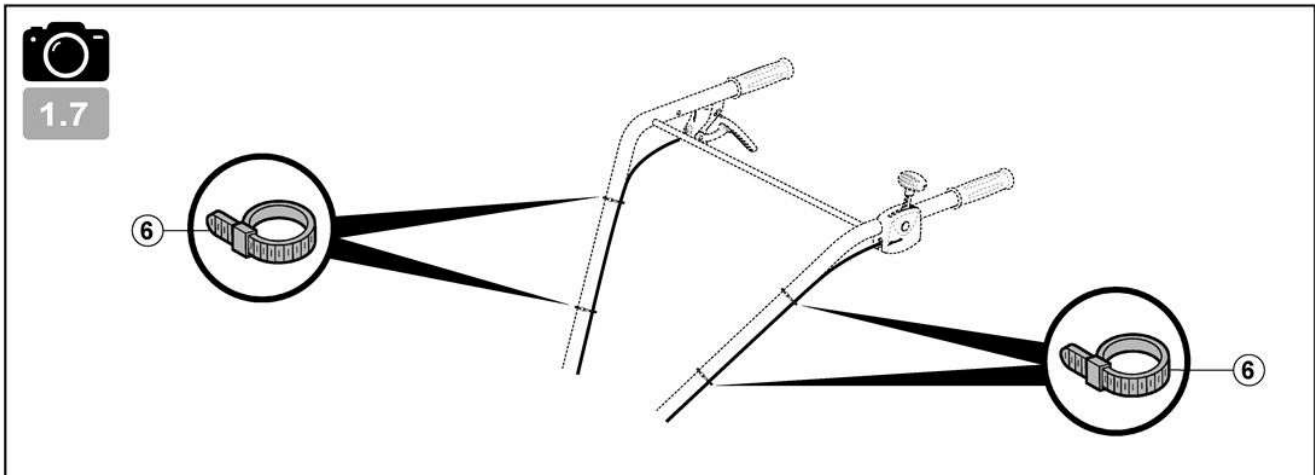
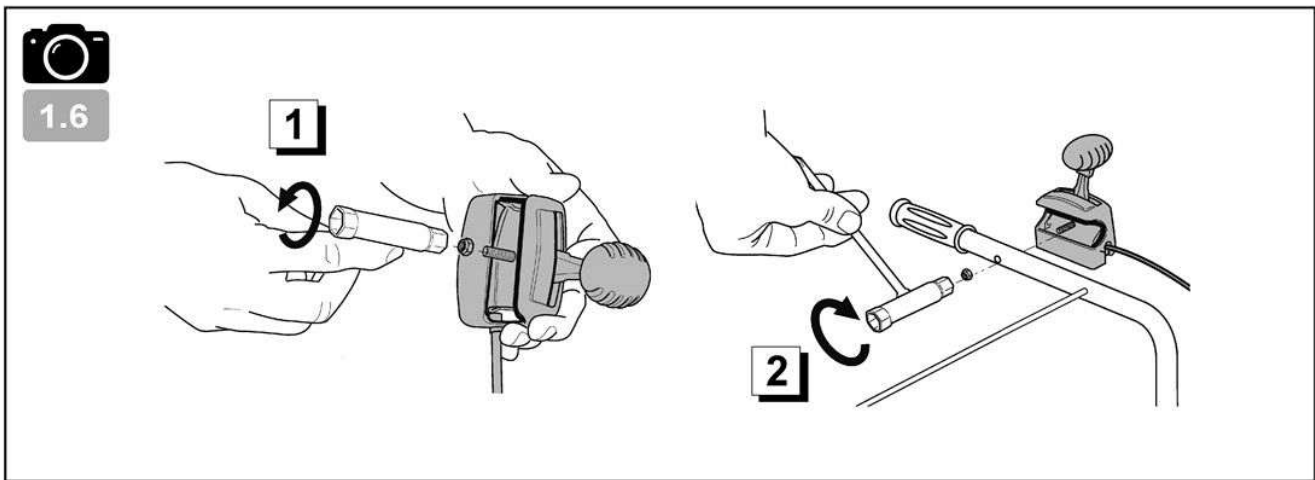
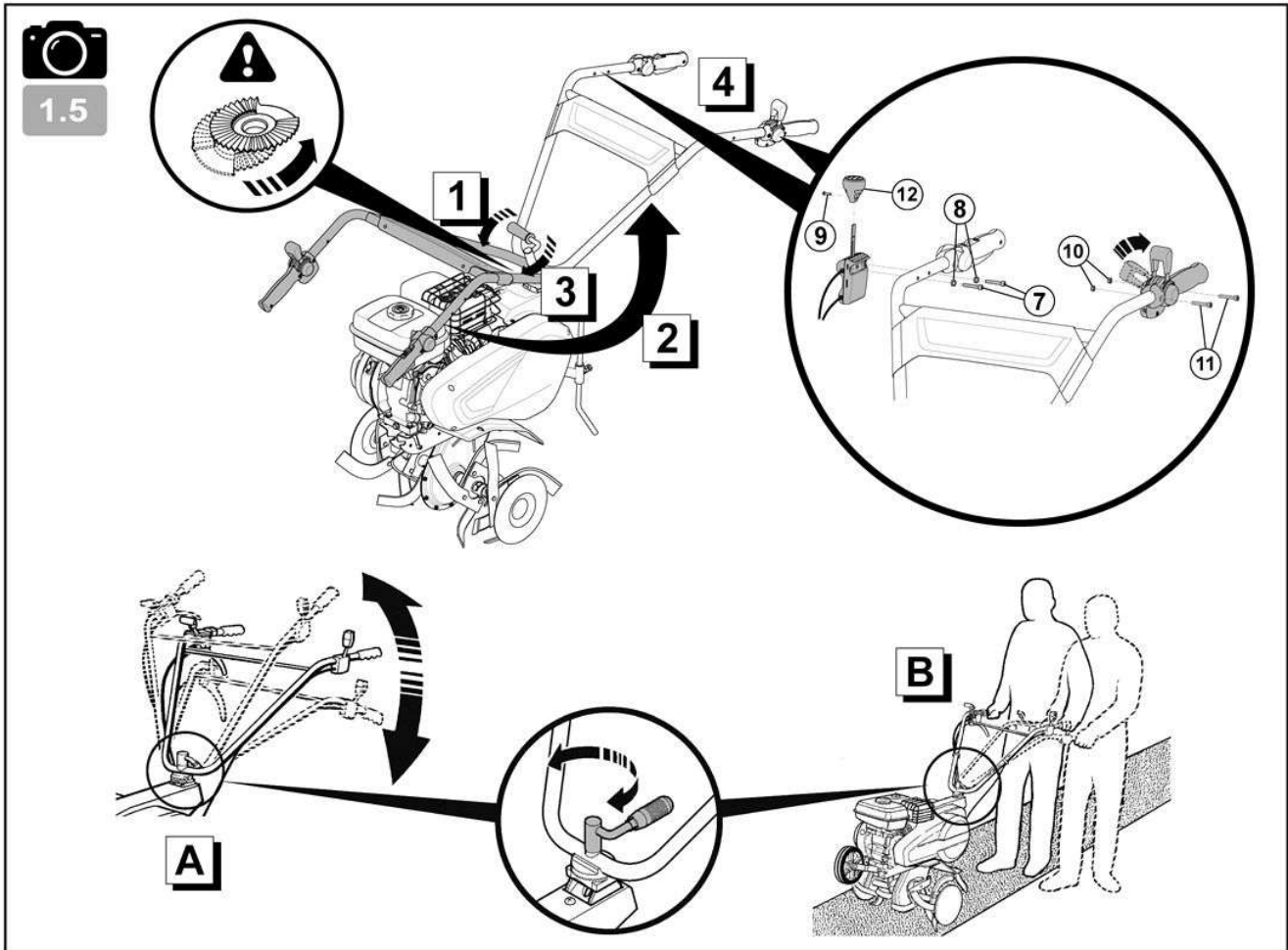


1.3



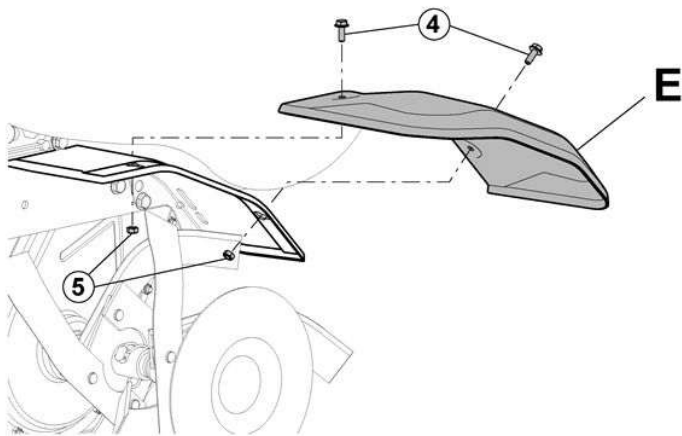
1.4



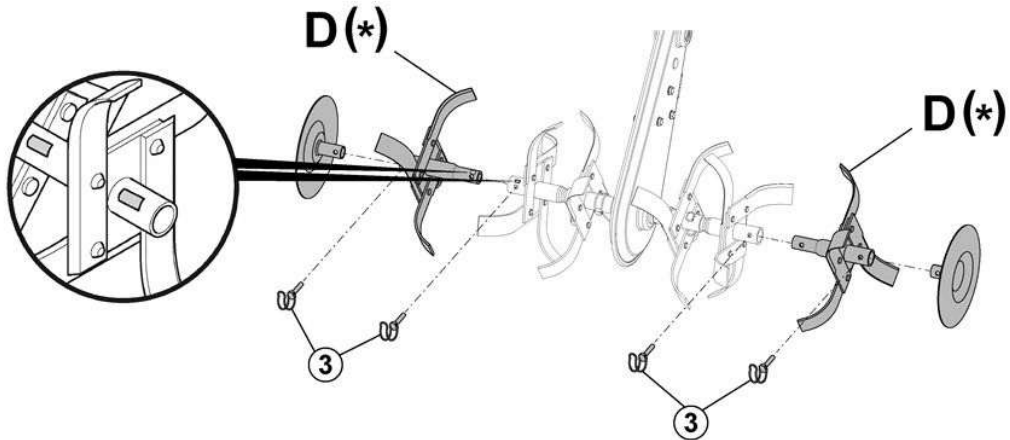




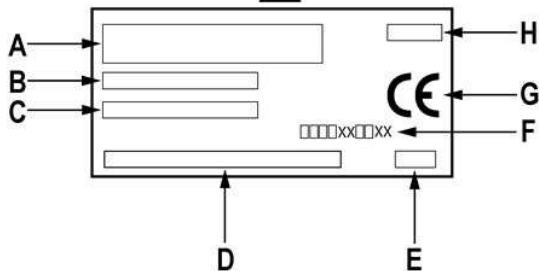
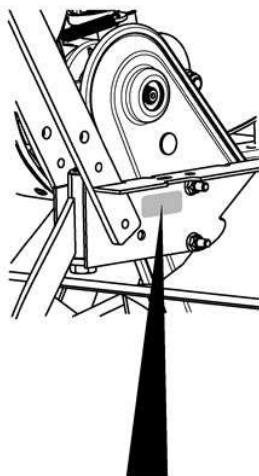
1.8



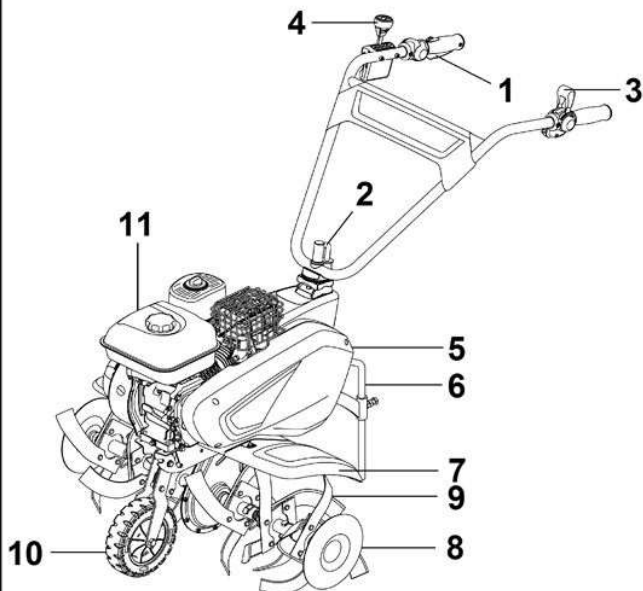
1.9

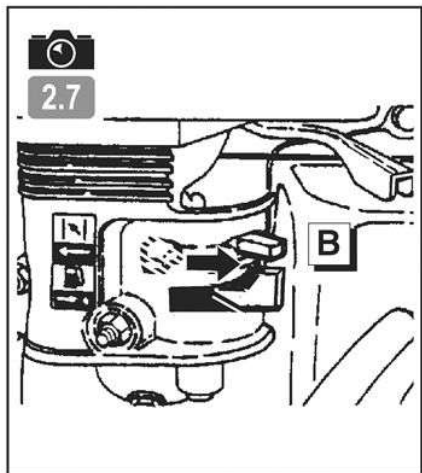
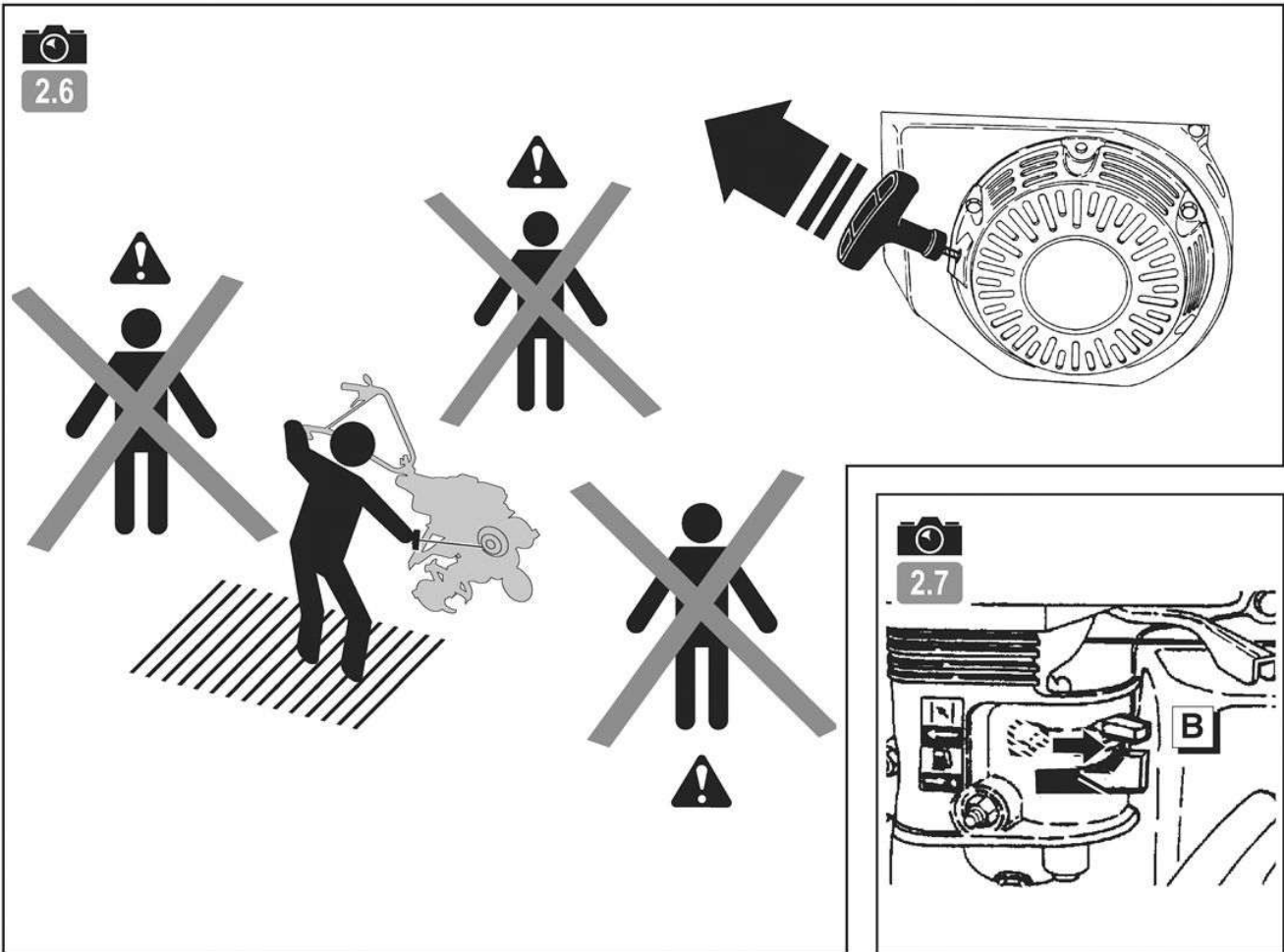
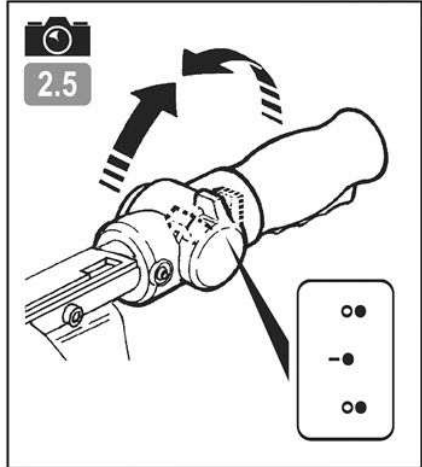
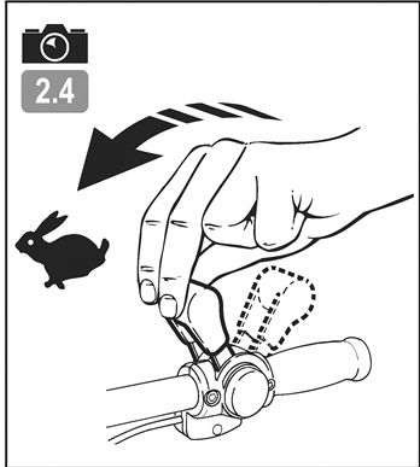
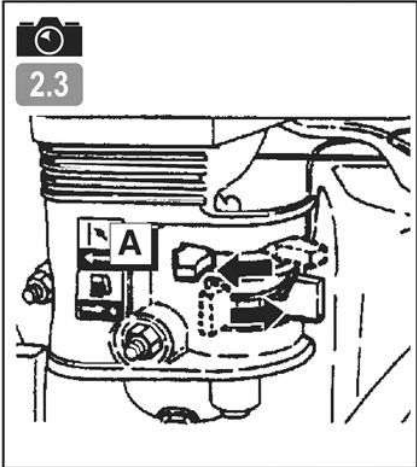
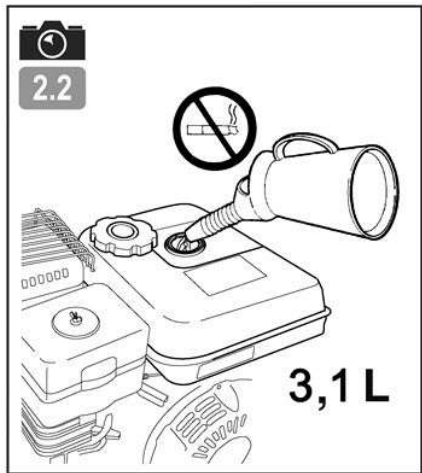
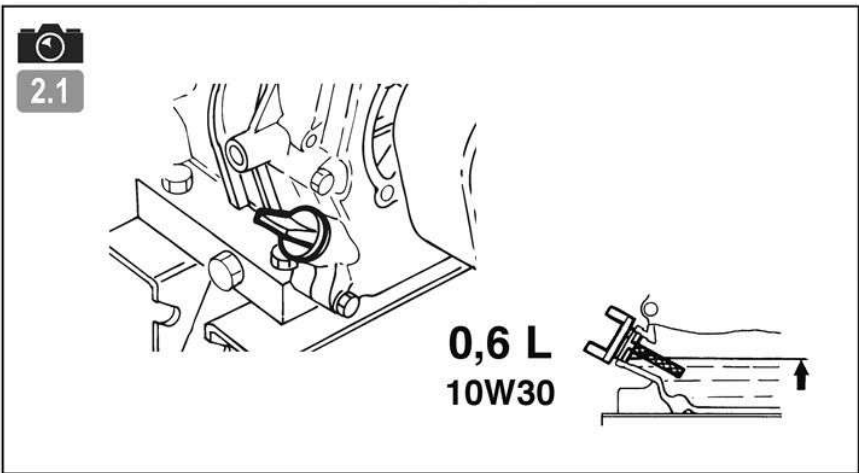


1.10



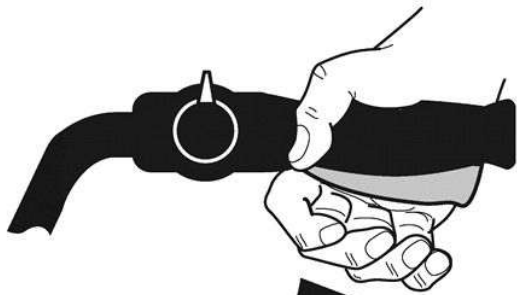
1.11



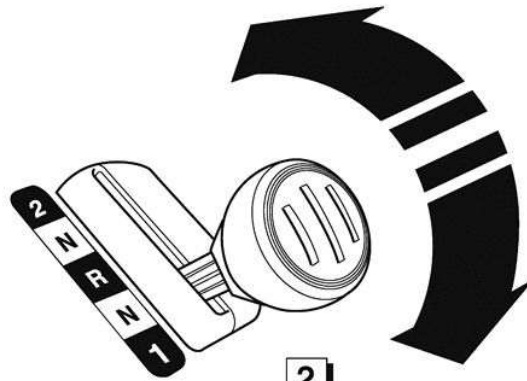




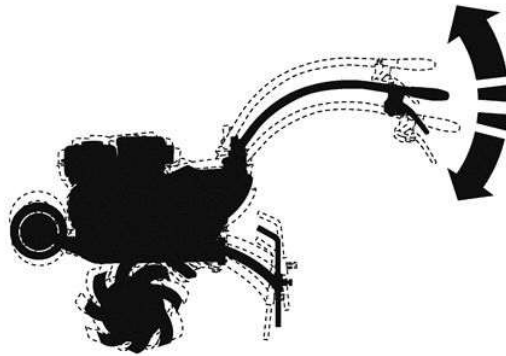
3.1



1



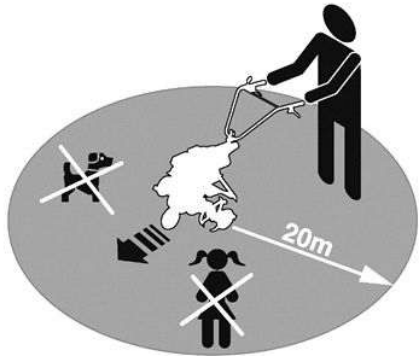
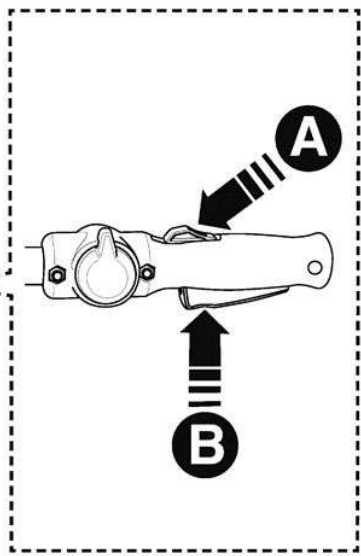
2

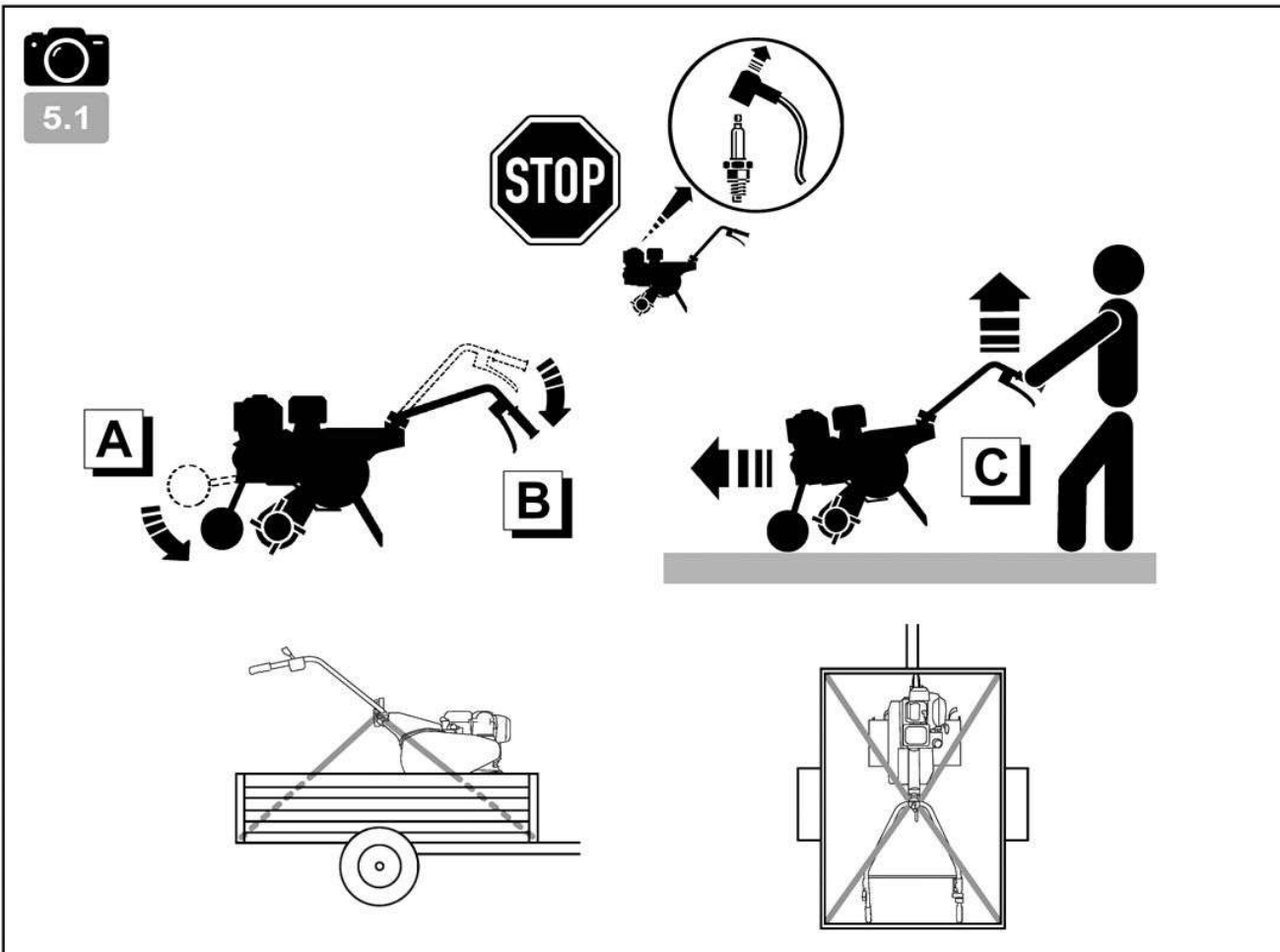
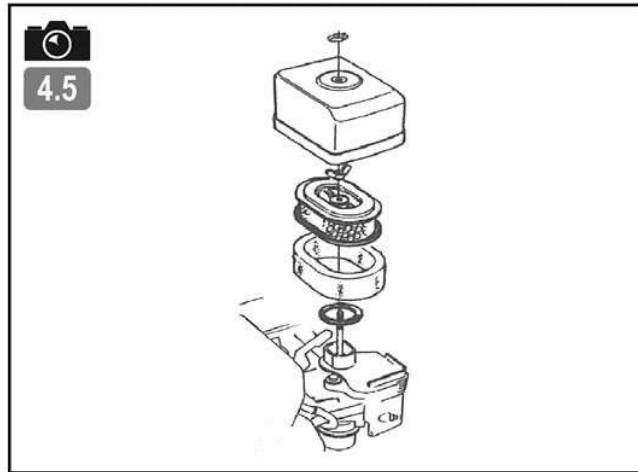
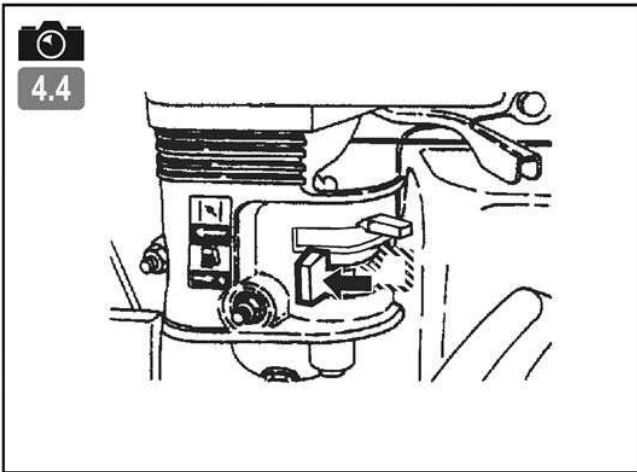
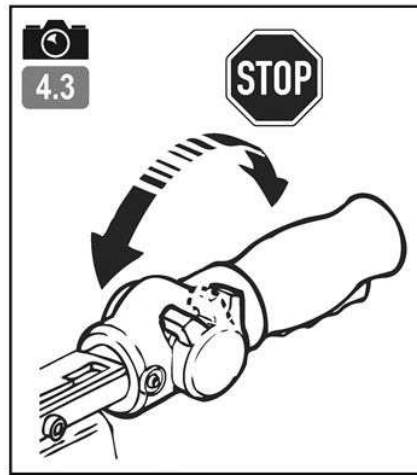
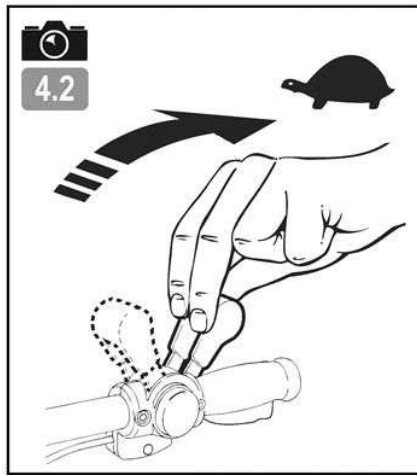
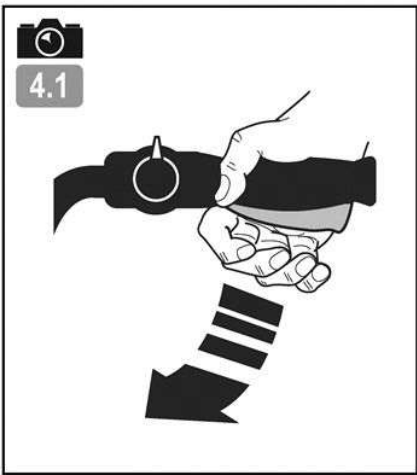


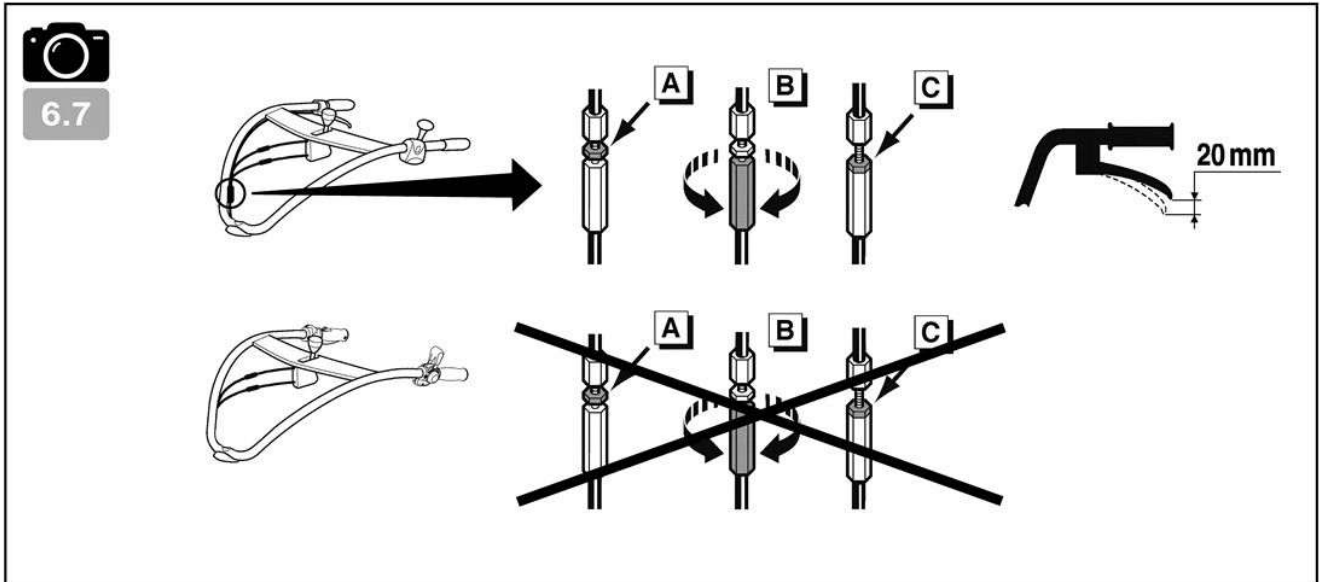
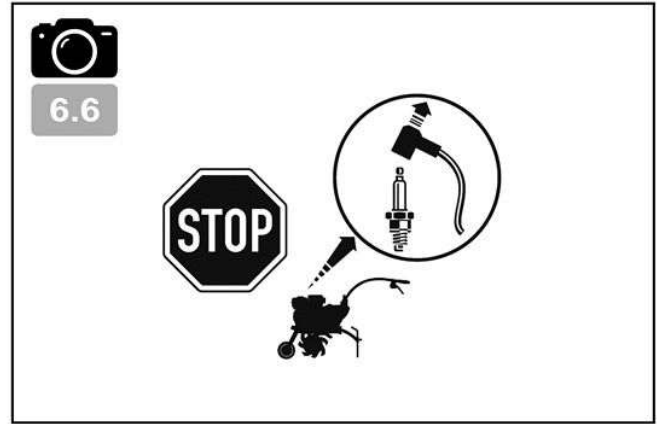
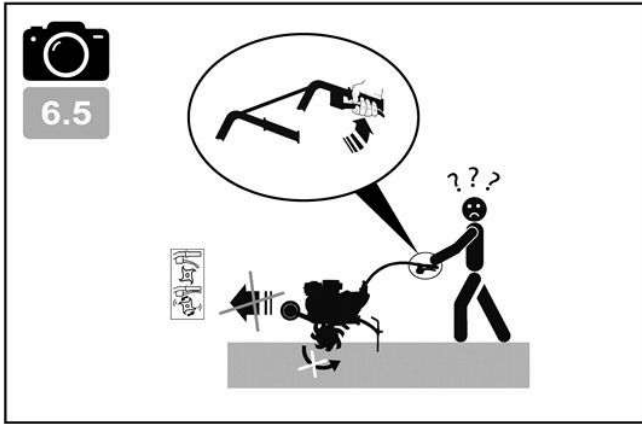
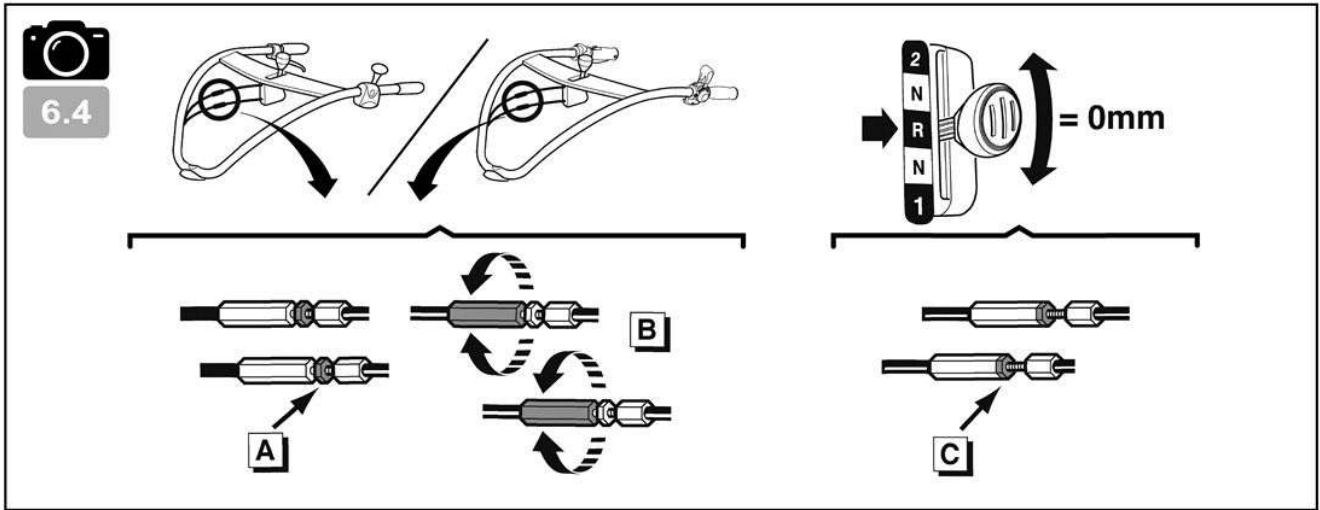
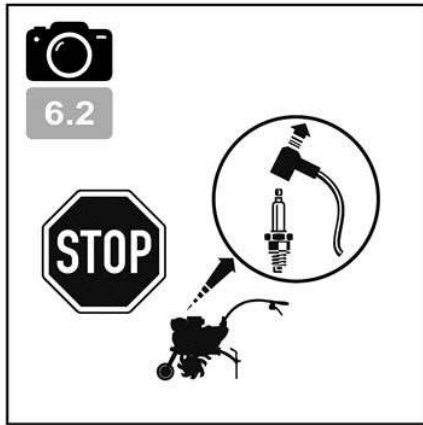
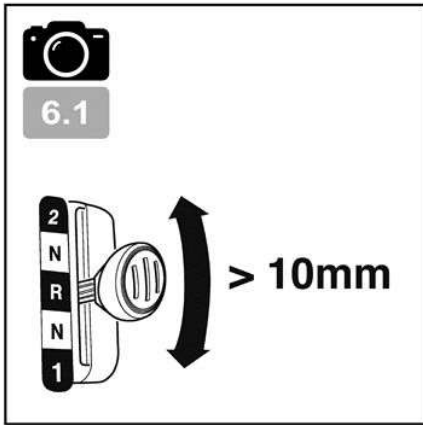
3.2



4







Pay close attention to indications preceded by the following statements:



CAUTION: Indicates a high probability of serious physical injury or danger of death if the instructions are not followed

PRECAUTION: Indicates a possibility of physical injury or damage to the equipment if the instructions are not followed

NOTE: Provides useful information



This symbol warns you to be careful during certain operations

If a problem occurs, or if you have any questions about the motor hoe, please contact an approved dealer



CAUTION: The machine is designed to provide safe and reliable service when used according to the instructions. Please read and memorise the content of this manual before you use your machine. If you do not, you will risk injury and the equipment may be damaged

Training / Information:

- Familiarise yourself with the correct use and commands before you use the machine. Know how to shut the engine off quickly.
- The machine must always be used according to the recommendations indicated in the instruction manual.
- Do not forget that the user is responsible for any accidents or dangerous phenomena that occurs to other people or their property. It is their responsibility to assess the potential risks in the land to be worked and to take all the necessary precautions to guarantee their safety, in particular on slopes or on rough, slippery or loose ground.
- Never let children or people who are unfamiliar with these instructions use the machine. A minimum user age may be set by local regulations.
- Never work if there is anyone, in particular children or animals, within a 20-metre radius around the machine; the user must stay at the commands on the handlebars.
- Do not use the machine after taking any medicines or substances considered as potentially harmful to your reflexes and vigilance.
- Pay closer attention on hard ground as the machine will tend to be much less stable than on cultivated land.
- While working, always wear hard, non-slip shoes and long, tight trousers. Do not use the machine if you are barefoot or wearing sandals. We recommend wearing hearing protection.
- Use the machine for the purpose for which it is intended, i.e. soil turning. Any other use may be dangerous or may damage the machine.

Preparation:

- Carefully inspect the area where the machine is to be used and remove all objects which may be projected by the machine (stones, wires, glass, metal objects, etc.).
- Before use, always perform a visual inspection of the machine to make sure that the tools and deflectors are not worn or damaged. Have the worn or damaged parts replaced.
- If the machine has an engine stop button, keep the engine stop electrical cables in good condition to ensure that the engine will stop.

- Check that there are no liquid leaks (petrol, oil, etc.)
- Do not use the machine without mudguard or protective covers and make sure that all the attachment mechanisms are fully tightened.

Use:

- Never transport any people on the machine
- Start the engine carefully, following the manufacturer's instructions and keeping your feet away from the tool(s).
- Shut down the engine when the machine is unsupervised.
- Walk, never run with the machine.
- Pull the machine towards you or reverse the movement direction (if possible) with a great deal of care.
- Keep the safe distance in relation to the rotating tools, given by the handlebar length.
- Never put your hands or feet near or under rotating elements.
- In the event of:
 - Abnormal rotation,
 - Blockage,
 - Clutching problem,
 - Impact with a foreign object,
 - Damage to the engine shutdown cable (depending on the model),

shut down the engine immediately (if the engine shutdown cable is cut, activate the starter command as described in the § "starting the engine" to shut down the engine), let the machine cool down, disconnect the spark plug wire, inspect the machine and have the necessary repairs carried out by an authorised repair technician before using the machine again.

- Only work in daylight or in good quality artificial light.
- Do not use the machine on slopes over 10° (17%).
- Work cross-wise on slopes, never ascending or descending.
- On steep land, be sure of your footing and take great care when changing direction.
- Using accessories other than those recommended may make the machine dangerous and cause damage to your machine, which will not be covered by your warranty.

Maintenance / Storage / Disposal:

- Shut down the engine and disconnect the spark plug before any cleaning, verification, tool change, adjustment or maintenance operations on the machine.
- Shut down the engine, disconnect the spark plug and wear thick gloves when changing the tool(s).
- Keep all nuts and screws tight to guarantee safe usage conditions.
- To reduce the fire risks, keep the engine, the silencer and the petrol storage area free of all vegetation, excess grease or any other materials likely to catch fire.
- Have the exhaust silencers replaced
- Do not repair the parts. Have the parts replaced with original parts.
- Replace the tools with complete batches to preserve the balance.
- For your safety, do not modify your machine's characteristics. Do not modify the engine speed regulation settings and do not use the engine in overspeed. Regular maintenance is essential to guarantee safety and maintain performance.
- Let the engine cool down before you store the machine inside premises.
- The device must be disposed of in accordance with the regulations in force in the country of use.

Caution – Danger: Petrol is highly flammable:

- Store the fuel in containers specially provided for the purpose. Fill up with fuel outdoors only and do not smoke during the operation.
- Never remove the cap from the petrol tank or add petrol when the engine is running or when it is hot.
- If petrol is spilled on the ground, do not try to start the engine but move the machine away from this area and avoid causing any fires until the petrol fumes have dissipated.
- Store the machine in a dry place. Never store the machine in premises where the petrol fumes may reach a flame, a spark or a high source of heat.
- Put the caps back in place correctly on the tank and the petrol feed.
- Limit the quantity of petrol in the tank to minimise splashing.
- Do not run the engine in a confined space where carbon monoxide fumes may build up.
- Carbon monoxide may be fatal. Make sure that the premises are well ventilated.

Movement / Handling / Transport:

- All actions on the machine apart from working the ground must be performed with the engine shut down and the spark plug disconnected.
- The machine must be moved (apart from working the ground) using the transport wheel as described in the § "movement".
- Handling: do not lift the machine on your own. The machine's weight is indicated on the manufacturer's plate and at the end of this manual. Use a handling method that is adapted to the machine's weight and the situation in order to guarantee safety.
- The machine must be loaded into and unloaded from a trailer using an adapted loading ramp. Stow the machine correctly for safe transport.
- The machine must be transported with the engine shut down and the spark plug disconnected using a trailer; do not use any other method of transport.

DANGER
Danger

CAUTION
Rotating cutter blades

CAUTION
Read the user manual

CAUTION
Consult the user manual and remove the spark plug before any intervention

CAUTION
Do not use without protection (moving elements)

Wear ear protectors

Gear selection (optional)

2: Forward quick speed
N: Neutral
R: Reverse
1: Forward slow speed

1 - Reverse
2 - Forward

Clutch handle

Clutch disengaged

Clutch engaged

Do not touch hot surfaces

The exhaust gases are dangerous
Do not use in a poorly-ventilated area

Switch the engine off before filling up

Starter

Battery charge
8 HOURS MAXIMUM

Gas command (depending on engine type)

1 - Quick
2 - Slow
3 - Stop

Starter (depending on version)

Circuit breaker (depending on engine type)

1 - Go
2 - Stop



Pictograms that may or may not be present depending on the machine model


TECHNICAL INFORMATION


Machine model	TF 435P	Acoustic pressure level at operator's ears	dB(A)	84
Weight	kg 60	Measurement uncertainty	dB(A)	1
Engine model	GP160D	Measured sound power level	dB(A)	N/A
Net power * for an engine rate	KW 3.6 rpm 3600	Measurement uncertainty	dB(A)	1
Nominal power Nominal engine rate	KW 3.4 rpm 3300	Level of vibrations on the operator's hands	m/s ²	7
Guaranteed sound power level	dB(A) N/A	Measurement uncertainty	m/s ²	2

* The engine power indicated in this document is a net power obtained by the test on a series engine according to standard SAE J 1349 at a given rotation speed. The power of another production engine may be different from this indicated value. The actual power of an engine installed on a machine will depend on different factors, such as the rotation speed, the temperature, humidity, atmospheric pressure, maintenance and other conditions.

NOTE: with permanent improvement in mind, the manufacturer specifies that all of this manual is not contractually-binding and reserves the right to modify the specifications of their machines without notice.

 ← **Unpacking**
1.1

 **CAUTION:** Incorrect assembly of this motor hoe may cause serious injury. Make sure that you follow all the instructions carefully


 **CAUTION:** Make sure that you do not cut the cables or scratch the machine's paintwork when cutting sharp edges from the body

Item	Case content
A	Transport wheel
B	Motor hoe
C	Stand
D	Additional cutters *
E	Cover plates
F	Documents + nuts and bolts pouch


* Depending on version

 ← **Mounting the stand**
1.2


- A = Hard ground
- B = Soft ground

 ← **Remove the attachment points from the bottom of the body**
1.3

 ← **Mounting the transport wheel**
1.4


 Do not lock the nut (4) to ensure that the wheel lifts correctly

- A = Movement position
- B = Working position


 ← **Mounting the handlebar**
1.5


- A = Height adjustment
- B = Swing adjustment


 ← **Mounting the gas lever**
1.6

 ← **Mounting the cable tighteners**
1.7

 ← **Mounting the cover plates**
1.8

 ← **Mounting the additional cutters**
1.9

 Pay attention to the direction in which the cutters and pins are mounted

 **Machine identification plate**
1.10

- A – Manufacturer's name and address
- B – Type of machine
- C – Serial number
- D – Nominal power
- E – Weight in kilograms
- F – Machine model
- G – EC identification
- H – Year of manufacture

 ← **Description of the elements**
1.11

- 1 – Clutch lever
- 2 – Handlebar adjustment handle
- 3 – Gas lever
- 4 – Gear lever
- 5 – Belt cover
- 6 – Stand
- 7 – Cover plates
- 8 – Plant protector disks
- 9 – Rotating tools
- 10 – Transport wheel
- 11 – Engine



Oil full and level

2.1



Petrol full

2.2

Super or unleaded or SP95 E 10




Open the fuel tap and set the starter to position A

2.3



Accelerator


2.4

Set the lever to: 



Circuit breaker


2.5

Set the circuit breaker to: 



Pull the launcher handle

2.6

 Always remain inside the safety zone when the machine is starting up



Set the starter to position B

2.7

USE

This machine is intended for:

- Preparation of the soil for planting
- Maintenance of plantations and flower beds

This machine is not intended for professional use



After you start the machine, do not let the engine idle: start working as soon as possible by activating the tool clutching command

There is no need to warm up the engine: letting it idle for over 2 minutes without engaging the tools may cause serious damage to the clutching system and its belt



Gear selection

3.1



Do not activate the gear change lever without releasing the clutch handle

- A** Release the clutch command
- B** Activate the gear selector
- C** To make it easier to change gear, swing the handlebar from top to bottom

N = Neutral
1 = Slow speed
2 = Quick speed
R = Reverse



Clutching

3.2



Keep a safe area with a radius of 20 m around the machine

Activate the dual action clutch command to turn the cutters



Reversing with this machine is dangerous

Make sure that there are no obstacles behind you and reduce the engine rate before you engage the clutch

STOPPING



Cutting tool shutdown

4.1

Release the clutch handle



Engine shutdown

4.3

Set the circuit breaker to: ○●



Reduce the gas

4.2

Set the accelerator command to:



Close the petrol tap

4.4

DAILY CHECKS

Check the following points before you start the engine: - No loose or broken nuts and bolts
- No fuel or engine oil leaks
- Safety of the environment



Clean engine oil level

2.1



Air filter element cleanliness and oil level

4.5

(Depending on engine type)



Fuel level ok

2.2



Do not use any flammable solvents to clean the air filter's foam element

MAINTENANCE PROGRAMME (to be carried out by an authorised workshop)

First month or 20 hours		
• Change the engine oil		
Every 3 months or 50 hours		
• Clean the air filter (1)		
Every 6 months or 100 hours		
• Change the engine oil	• Clean the spark guard	• Clean the fuel tank and fuel filter
• Clean the decanting bowl		
Every year or 300 hours		
• Change the spark plug	• Check – adjust the idle rate (2)	• Check – adjust the valve play (2)
After every 500 hours		
• Clean the combustion chamber (2)		
Every 2 years		
• Check the fuel pipe (change if necessary) (2)		
<p>NOTE:</p> <p>(1) Maintain the air filter more frequently when it is used in dusty areas</p> <p>(2) These operations must be carried out by an authorised workshop, unless the user has the necessary tools and is mechanically qualified Refer to the Honda workshop manual</p>		

MOVEMENT AND HANDLING



← Movement

5.1



Shut down the engine



Wait until the engine cools down (10 minutes)

A

Set the wheel to movement position

B

Adjust the handlebar to low position to make it easier to move the machine

C

Using the handlebar, raise the cutters from the ground and move forward

- **Handling:** do not lift the machine on your own. The machine's weight is indicated on the manufacturer's plate and at the end of this manual. Use a handling method that is adapted to the machine's weight and the situation in order to guarantee safety

- The machine must be loaded into and unloaded from a trailer using an adapted loading ramp

- Stow the machine correctly for safe transport

GEAR LEVER SETTINGS



If there is more than 10 mm play in the gear lever, you must tighten the gear selection cables again

6.1



- Select reverse
- Test the cutter rotation direction

6.2



Shut down the machine and disconnect the spark plug

6.3



6.4

A

Release the two nuts on the gear lever cable tighteners

B

Adjust the two cable tighteners at the same time to place the gear lever opposite the "R" with zero play

C

Lock the two nuts again

Disconnect the spark plug

Start the engine and try again

If the problem persists, contact your dealer

CLUTCH SETTINGS *(Depending on version)*



In "clutch engaged" position, when the machine jerks forward or when the cutters do not turn, adjust the clutch cable

6.5



Shut down the machine and disconnect the spark plug

6.6



6.7

A

Loosen the clutch cable tightener nut

B

Adjust the tightener until you obtain 20 mm play at the end of the clutch lever

C

Lock the nut again

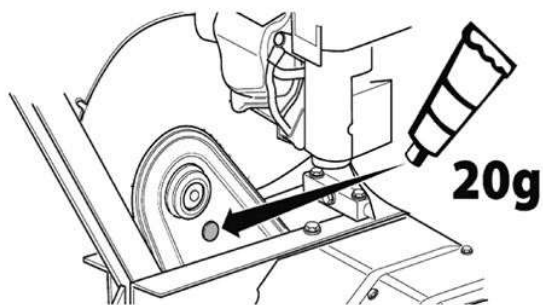
Disconnect the spark plug

Start the engine and try again

If the problem persists, contact your dealer

TRANSMISSION GREASING

Period: 50 h maximum or 1/year before wintering



- 1- Remove the cap from the upper part of the transmission
- 2- Add 20 g of lithium grease from a tube
- 3- Put the cap back
- 4- Turn the cutters for 30 seconds

GEARBOX MAINTENANCE

The gearbox oil must be changed every 2 years or every 100 hours with 80W90 oil

A: Filling cap

B: Level

