



Husqvarna®

Husqvarna Attachments



Broom ARPБ2100v1 547 28 91-01

EN	Operator's manual	2-3
BG	Ръководство за експлоатация	4-5
CS	Návod k použití	6-7
DA	Brugsanvisning	8-9
DE	Bedienungsanweisung	10-11
EL	Οδηγίες χρήσης	12-13
ES	Manual de usuario	14-15
ET	Kasutusjuhend	16-17
FI	Käyttöohje	18-19
FR	Manuel d'utilisation	20-21
HR	Priručnik za korištenje	22-23
HU	Használati utasítás	24-25
IT	Manuale dell'operatore	26-27
JA	取扱説明書	28-29
LT	Operatoriaus vadovas	30-31
LV	Lietošanas pamācība	32-33
NL	Gebruiksaanwijzing	34-35
NO	Bruksanvisning	36-37
PL	Instrukcja obsługi	38-39
PT	Manual do utilizador	40-41
RO	Instrucțiuni de utilizare	42-43
RU	Руководство по эксплуатации	44-45
SK	Návod na obsluhu	46-47
SL	Navodila za uporabo	48-49
SR	Priručnik za rukovaoca	50-51
SV	Bruksanvisning	52-53
TR	Kullanım kılavuzu	54-55
UK	Посібник користувача	56-57

Broom: ARPB2100v1 547 28 91-01

Symbols on the attachment



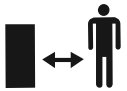
WARNING: Be careful and use the product correctly. This product can cause serious injury or death to the operator or others.



Read the operator's manual carefully and make sure that you understand the instructions before you use this product.



Look out for ejecting objects and ricochets.



Keep persons and animals at a safe distance from the work area.



Warning: risk of crush injuries. Keep body parts away.



Warning: risk of crush injuries. Keep body parts away.



This product is in accordance with applicable EC directives.

Husqvarna Service Information



Husqvarna Service Information

Model: [REDACTED]

Product number: [REDACTED]

1. Husqvarna model name
2. Husqvarna product number code (PNC)

Safety instructions



WARNING: Read, understand and obey the instructions in the operator's manual of the product before you use the attachment.



WARNING: Read the warnings instructions that follow before you use the attachment.

- Learn how to use the attachment and its controls safely and learn how to stop the product quickly.
- Do not let children or other persons not approved for operation of the attachment to use or do servicing on it. Local laws may regulate the age of the user.
- Do not use the attachment if persons, especially children, or animals, are in the vicinity.
- Do not keep passengers on the attachment.
- Do not stand on the attachment.
- Use running water to clean the attachment.



CAUTION: Do not point the jet at electrical components or bearings. Cleaning additives usually increase the damage.



CAUTION: Do not use a high pressure washer or a steam cleaner. Water can go into bearings and electrical connections and cause corrosion which cause damage to the attachment.

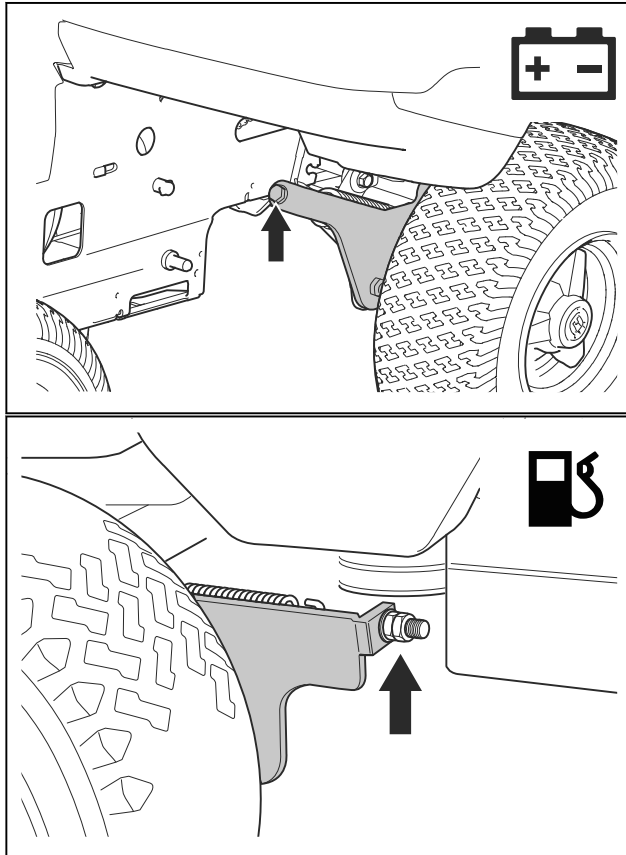
- Paint all the damaged surfaces to prevent corrosion.
- Put oil or grease on damaged areas on the surface.

To adjust the ground pressure from the attachment

A correct ground pressure makes sure that the attachment moves along the surface but does not press too hard against it. The standard ground pressure is correct for most surfaces but it can be necessary to adjust the ground pressure to your ground conditions.

- Increase the ground pressure if the attachment is lifted too high.
 - Decrease the ground pressure on sensitive surfaces.
1. To adjust the ground pressure, turn the adjustment screws found behind the front wheels on the right and left sides.

2. Turn the screws right or left with small movements to adjust the ground pressure.



3. Adjust the ground pressure again when you use the product with a cutting deck.
 - a) For fuel products, turn the screw until the distance between the end of the screw and the nut is 10 ± 2 mm.
 - b) For battery products, turn the screw until the distance between the spring and the bracket is 65 ± 2 mm.
4. Examine and adjust the ground pressure before you operate the product with a cutting deck. Refer to the operator's manual of the product.