



Husqvarna®



PS900C



EN	Operator's manual	2-7
BG	Ръководство за експлоатация	8-14
CS	Návod k použití	15-20
DA	Brugsanvisning	21-26
DE	Bedienungsanweisung	27-33
EL	Οδηγίες χρήσης	34-39
ES	Manual de usuario	40-45
ET	Kasutusjuhend	46-51
FI	Käyttöohje	52-57
FR	Manuel d'utilisation	58-64
HR	Priručnik za korištenje	65-70
HU	Használati utasítás	71-76
IT	Manuale dell'operatore	77-82
LT	Operatoriaus vadovas	83-88
LV	Lietošanas pamācība	89-94
NL	Gebruiksaanwijzing	95-100
NO	Bruksanvisning	101-106
PL	Instrukcja obsługi	107-112
PT	Manual do utilizador	113-118
RO	Instrucțiuni de utilizare	119-124
SK	Návod na obsluhu	125-130
SL	Navodila za uporabo	131-136
SR	Priručnik za rukovaoca	137-142
SV	Bruksanvisning	143-148
TR	Kullanım kılavuzu	149-154
UK	Посібник користувача	155-160

Contents

Introduction.....	2	Troubleshooting.....	6
Safety.....	3	Transportation, storage and disposal.....	6
Assembly.....	4	Technical data.....	6
Operation.....	5		

Introduction

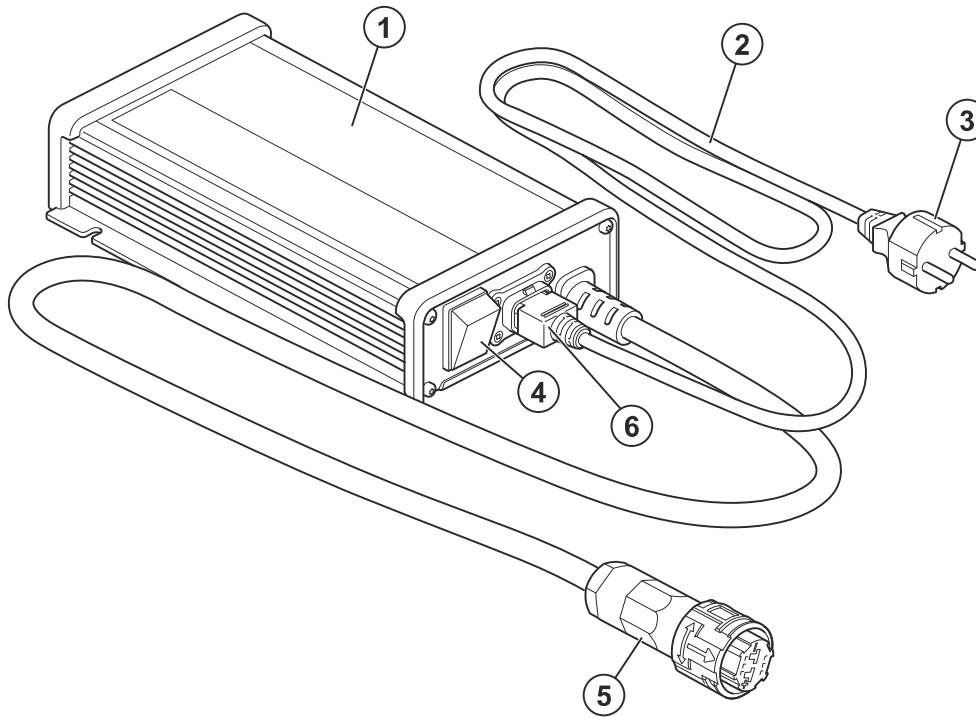
Product description

The Husqvarna PS900C is a battery charger.

Intended use

Use the battery charger to charge batteries in applicable Husqvarna products. Do not use the battery charger for other tasks.

Battery charger overview



- 1. Battery charger
- 2. Power cord
- 3. Power plug, with different plugs for different markets
- 4. Charger ON/OFF switch
- 5. Charger plug
- 6. Power socket



The battery charger agrees with the applicable EC directives.

IP54

IP54 - The battery charger has protection against dust and splashing water.

Symbols on the battery charger



Read the operator's manual carefully and make sure that you understand the instructions before use.



The battery charger or package of the battery charger is not domestic waste. Recycle it at an applicable disposal location for electrical and electronic equipment.



Scannable code.

Note: Other symbols/decals on the battery charger refer to certification requirements for some commercial areas.

Safety

Safety definitions

Warnings, cautions and notes are used to point out specially important parts of the manual.



WARNING: Used if there is a risk of injury or death for the operator or bystanders if the instructions in the manual are not obeyed.



CAUTION: Used if there is a risk of damage to the product, other materials or the adjacent area if the instructions in the manual are not obeyed.

Note: Used to give more information that is necessary in a given situation.

Important safety instructions



WARNING: Read all safety warnings and all instructions. Failure to obey the warnings and instructions may result in electrical shock, fire and/or serious injury.

Note: Save all warnings and instructions.

- If the power cord is damaged, it must be replaced by the manufacturer, its service agent or similarly qualified persons in order to avoid hazard.
- Regularly examine that the power cord is not damaged. Immediately disconnect the battery charger if the power cord is damaged.
- Only charge Husqvarna original batteries with the battery charger. If you have questions, speak to your Husqvarna dealer.
- Do not charge non-rechargeable batteries.
- Do not try to disassemble or repair the battery charger. All repairs are to be done by an approved dealer only. Do not use a damaged battery charger.
- Do not connect the battery charger terminals to metal objects.
- The power plug must only use a grounded mains socket.
- The power plug must only use a mains socket that has protection from rain.
- Use an approved and grounded mains socket that is not damaged.
- Do not lift the battery charger by the power cord. To disconnect the battery

charger from a mains socket, pull out the power plug. Do not pull the power cord.

- Keep all cables and extension leads away from water, oil and sharp edges. Make sure that the power cord is not caught between doors, fences or equivalent.
- Do not use a damaged battery charger or battery.
- Do not use the battery charger when there is a risk of lightning.
- Do not use the battery charger near flammable materials or materials that can cause corrosion. Pull out the power plug to the battery charger if there is smoke or fire.
- Keep the battery charger away from children. Children

should be supervised to ensure that they do not play with the battery charger.

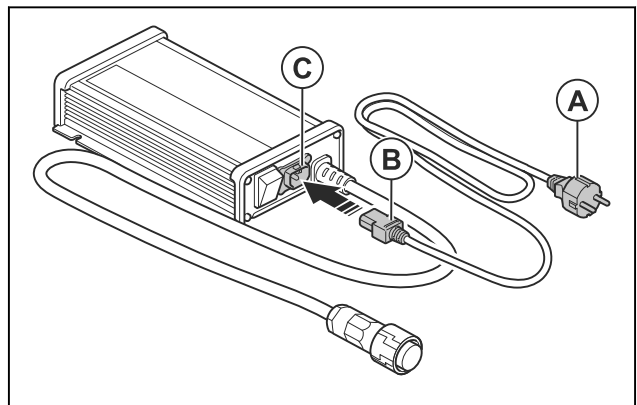
- Keep the battery charger clean and away from sunlight.
- This battery charger can be used by children aged from 8 years and above and persons with reduced physical, sensory or mental capabilities or lack of experience and knowledge if they have been given supervision or instruction concerning use of the battery charger in a safe way and understand the hazards involved. Children shall not play with the battery charger. Cleaning and user maintenance shall not be made by children without supervision.

Assembly

To assemble the battery charger

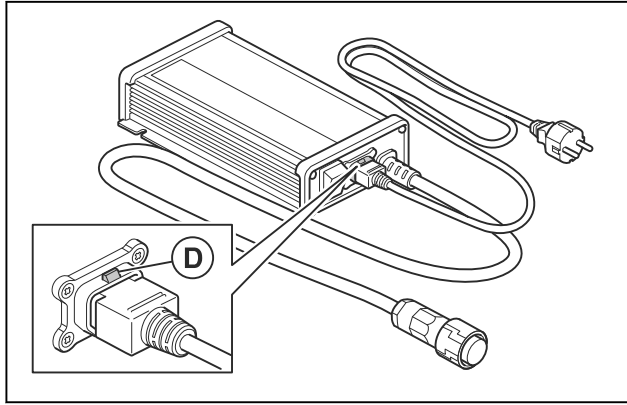
Note: Only use the battery charger with the supplied power cord set. Do not use external power cord set. If the power cord is damaged, it must be replaced by the manufacturer, its service agent or similarly qualified persons in order to avoid hazard.

1. Make sure that the power plug (A) is not connected to a mains socket.



2. Connect the power cord (B) to the power socket (C) on the battery charger.

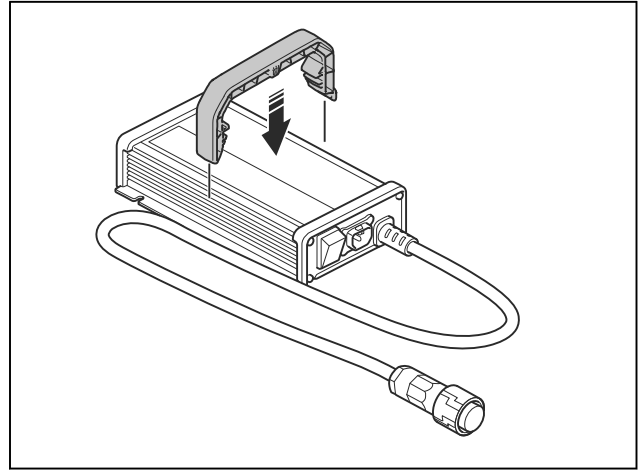
3. Make sure that the lock function (D) is engaged.



To install the handle

1. Put the battery charger on a flat surface.
2. Align the handle above the battery charger. Make sure that the handle is in the center of the battery charger.

3. Push the handle down until it locks into position.



Operation

To charge the battery



CAUTION: Use the battery charger in conditions where the temperature is between 0 °C (32 °F) and 40 °C (104 °F).



CAUTION: Only use the battery charger in a location that has a good airflow.



CAUTION: Do not lift the battery charger by the power cord.

1. Make sure that the charger ON/OFF switch is set to OFF.
2. Connect the power plug to a grounded mains socket.



CAUTION: Only connect the battery charger to a mains socket that has the

voltage and frequency specified on the rating plate.

3. Connect the charger plug to the socket for the battery charger on the product.
4. Set the charger ON/OFF switch to ON. If possible, make sure that the product shows that the battery charges.

Note: For the location of the charge indicator, refer to the Operator's manual for the product.

5. Set the charger ON/OFF switch to OFF when the battery is fully charged. For charge times, refer to the Operator's manual for the product.
6. Disconnect the charger plug from the socket for the battery charger on the product.
7. Pull the power plug to disconnect the battery charger from the mains socket. Do not pull the power cord.

Troubleshooting

Troubleshooting

Symptoms	Cause	Solution
The battery does not charge.	The battery charger is not correctly connected to the mains outlet.	Connect the battery charger to a mains outlet.
	The power cord is not correctly connected to the battery charger.	Connect the power cord to the battery charger.
	The charger ON/OFF switch is set to OFF.	Set the charger ON/OFF switch to ON.
	The battery charger is not correctly connected to the product.	Connect the battery charger to the product.
	The battery is damaged.	Disconnect the battery charger and speak to an approved servicing dealer.
	The battery charger or the power cord is damaged.	Disconnect the battery charger and speak to an approved servicing dealer.

Transportation, storage and disposal

Transportation and storage

- Safely attach the battery charger during transportation to prevent damage and accidents.
- Keep the battery charger away from metal objects, for example nails, screws or jewelry.
- Keep the battery charger in a locked area to prevent access for children or persons that are not approved.
- Put the battery charger in a dry, frost-free and clean area. The ambient temperature must be between 0 °C / 32 °F and 50 °C / 122 °F.
- Keep the battery charger away from sunlight.
- Clean the battery charger before storage.

- Disconnect the battery charger before storage.

Disposal

Husqvarna battery chargers are not domestic waste. Obey the disposal instructions.

- Obey the local disposal requirements and applicable regulations.
- Recycle the battery charger and package at an applicable disposal location.
- Speak to your local Husqvarna dealer for more information on how to recycle and discard the battery charger.

Technical data

TECHNICAL DATA

Battery charger	PS900C
Output Voltage, VDC	58
Number of batteries that can be charged at the same time	1–3

TECHNICAL DATA

Battery	EM-5240Li	EM-5264Li	EM-5239Li
Type	Li-ion	Li-ion	Li-ion
Capacity	58.8 V, Max. 38.5 Ah	58.8 V, Max. 63.7 Ah	58.8 V, Max. 39.2 Ah