

RMA 248.3 T,
RMA 253.3 T

STIHL



2 - 32	Gebrauchsanleitung
32 - 59	Instruction Manual
59 - 90	Notice d'emploi
90 - 120	Istruzioni d'uso
120 - 149	Handleiding



die Umgebung. Dies reduziert die Stolpergefahr während des Arbeitens.

- n) **Berühren Sie keine Messer oder andere gefährliche Teile, die sich noch bewegen.** Damit vermindern Sie das Risiko einer Verletzung durch sich bewegende Teile.
- o) **Stellen Sie sicher, dass alle Schalter ausgeschaltet sind und der Akku abgetrennt ist, bevor Sie eingeklemmtes Material entfernen oder den Rasenmäher reinigen.** Ein unerwarteter Betrieb des Rasenmähers kann zu ernsthaften Verletzungen führen.

Contents

1	Introduction.....	32
2	Guide to Using this Manual.....	32
3	Overview.....	33
4	Safety Precautions.....	34
5	Preparing the Lawn Mower for Operation.	42
6	Charging the Battery, LEDs.....	42
7	Assembling the Lawn Mower.....	43
8	Adjusting the Lawn Mower for the User....	44
9	Removing and Fitting the Battery.....	45
10	Switching the Lawn Mower On and Off....	46
11	Checking the Lawn Mower.....	46
12	Operating the Lawn Mower.....	47
13	After Finishing Work.....	48
14	Transporting.....	48
15	Storing.....	49
16	Cleaning.....	50
17	Maintenance.....	51
18	Repairing.....	51
19	Troubleshooting.....	52
20	Specifications.....	54
21	Spare Parts and Accessories.....	55
22	Disposal.....	55
23	EC Declaration of Conformity.....	55
24	UKCA Declaration of Conformity.....	56
25	Addresses.....	57
26	General and Product-Specific Safety Instructions.....	57

1 Introduction

Dear Customer,

Thank you for choosing STIHL. We develop and manufacture our quality products to meet our customers' requirements. The products are designed for reliability even under extreme conditions.

STIHL also stands for premium service quality. Our dealers guarantee competent advice and

instruction as well as comprehensive service support.

STIHL expressly commit themselves to a sustainable and responsible handling of natural resources. This user manual is intended to help you use your STIHL product safely and in an environmentally friendly manner over a long service life.

We thank you for your confidence in us and hope you will enjoy working with your STIHL product.



Dr. Nikolas Stihl

IMPORTANT! READ BEFORE USING AND KEEP IN A SAFE PLACE FOR REFERENCE.

2 Guide to Using this Manual


2.1 Applicable Documents

This instruction manual is a translation of the original manufacturer's instructions in the sense of EC Directive 2006/42/EC.

Local safety regulations apply.

- ▶ In addition to this instruction manual, read, understand and keep the following documents:
 - Safety information for the STIHL battery AK
 - Instruction manual for the STIHL chargers AL 101, 301, 501
 - Safety information for STIHL batteries and products with built-in battery:
www.stihl.com/safety-data-sheets

2.2 Warning Notices in Text

 **DANGER**

- This notice refers to risks which result in serious or fatal injury.
 - ▶ Serious or fatal injuries can be avoided by taking the precautions mentioned.

 **WARNING**

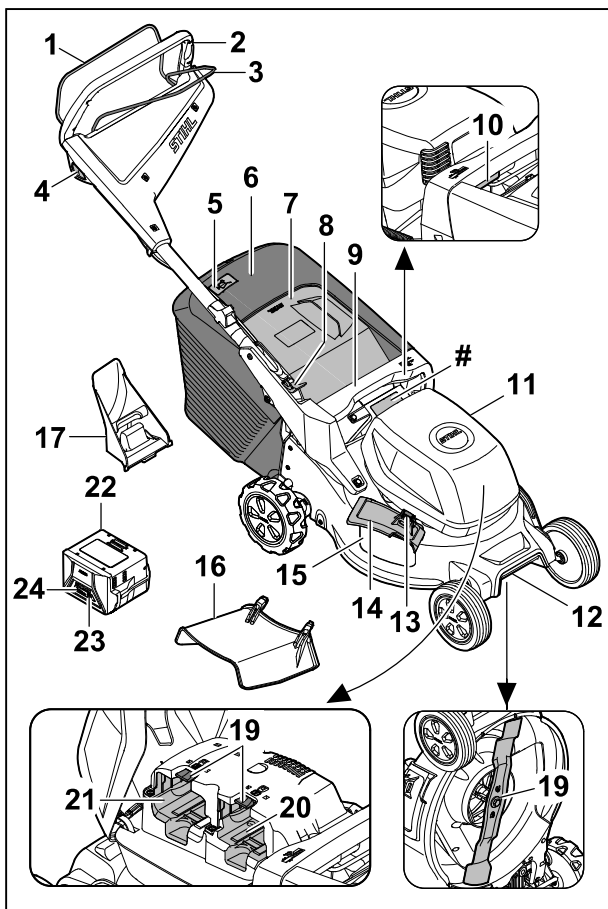
- This notice refers to risks which **can** result in serious or fatal injury.
 - ▶ Serious or fatal injuries can be avoided by taking the precautions mentioned.

NOTICE

- This notice refers to risks which can result in damage to property.
 - ▶ Damage to property can be avoided by taking the precautions mentioned.

2.3 Symbols in Text

This symbol refers to a chapter in this instruction manual.

3 Overview**3.1 Lawn Mower and Battery**

- 1 Control bar for mowing**
The control bar for mowing switches the blade on and off together with the locking button.
- 2 Handlebar**
The handlebar is used to hold, guide and transport the lawn mower.
- 3 Control bar for self-propulsion**
The control bar for self-propulsion engages and disengages self-propulsion.
- 4 Locking button**
The locking button switches the blade on and off together with the control bar.
- 5 Level indicator**
The level indicator shows how full the grass catcher box is.
- 6 Grass catcher box**
The grass catcher box collects the mown grass.
- 7 Discharge flap**
The discharge flap closes off the discharge chute.
- 8 Lever**
The lever is used to adjust and fold down the handlebar.
- 9 Handle**
The handle is used to hold the lawn mower when adjusting the cutting height and to transport the lawn mower.
- 10 Lever**
The lever is used to set the cutting height.
- 11 Flap**
The flap covers the battery.
- 12 Transport handle**
The transport handle is used to transport the lawn mower.
- 13 Lock**
The lock keeps the side discharge flap closed.
- 14 Side discharge flap**
The side discharge flap closes off the side discharge opening.
- 15 Side discharge opening**
The side discharge opening directs the mown grass to the side.
- 16 Extension**
The extension directs the mown grass to the ground from the side.
- 17 Mulch insert**
The mulch insert closes off the discharge chute.
- 18 Blade**
The blade mows and mulches the grass.
- 19 Locking lever**
The locking lever keeps the battery in the battery compartment.
- 20 Battery compartment 1**
Battery compartment 1 holds the battery.
- 21 Battery compartment 2**
Battery compartment 2 holds a replacement battery.

22 Battery

The battery supplies the lawn mower with power.

23 Button

The button activates the LEDs on the battery.


24 LEDs

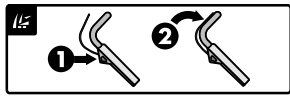
The LEDs indicate the battery charge state and faults.


Rating plate with machine number


3.2 Symbols


The symbols can be on the lawn mower, battery or charger and have the following meaning:


 **LWA** Guaranteed sound power level in accordance with Directive 2000/14/EC in dB(A) for the purpose of comparing the sound emissions of products.

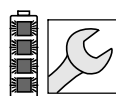
 Activate the blade.


 Engage self-propulsion.


 Set the cutting height.

 Grass catcher box level indicator.

 1 LED illuminates red. The battery is too warm or too cold.

 4 LEDs flash red. There is a fault in the battery.

 The number beside the symbol indicates the energy content of the battery according to the cell manufacturer's specifications. The available energy content is lower in practice.

 Do not dispose of the product with domestic waste.


IPX4 IP symbol


a.c. Alternating current




d.c. Direct current



 Operate the electric machine in a dry and closed room.

 Read, understand and keep the instruction manual.

 Protection class II power tool


4 Safety Precautions


4.1 Warning Symbols

⚠ WARNING


The warning symbols on the lawn mower or battery have the following meaning:


 Follow the safety instructions and their measures.


 Read, understand and keep the instruction manual.


 Beware of objects being thrown up - keep a safe distance and keep other people away.





 Do not touch a turning blade.

 Remove the battery during work stoppages, cleaning, transport, storage, maintenance or repair.

 Protect the lawn mower from rain and moisture.

 Remove the battery after operation.

 Protect the battery from heat and fire.

 Protect the battery from rain and moisture. Do not immerse in liquids.

4.2 Intended Use

The STIHL RMA 248.3 T or RMA 253.3 T lawn mower is used to mow and mulch dry grass.

The lawn mower is supplied with power by a STIHL AK battery. To be able to use all functions without restriction, STIHL recommends at least AK 30 S.

⚠ WARNING

- Batteries not approved by STIHL for the lawn mower may cause fires and explosions. This may result in serious or fatal injury to people and damage to property.
 - ▶ Use the lawn mower with a STIHL AK battery.
- Failure to use the lawn mower or battery as intended may result in serious or fatal injury to people and damage to property.
 - ▶ Use the lawn mower and battery as described in this instruction manual.

4.3 Requirements for the User

⚠ WARNING

- Uninstructed users cannot recognise or evaluate the dangers posed by the lawn mower and battery. This may result in serious or fatal injury to the user or other people.



- ▶ Read, understand and keep the instruction manual.

- ▶ If passing on the lawn mower or battery to another person: provide them with the instruction manual also.
- ▶ Make sure that the user meets the following conditions:
 - The user is rested.
 - The user is physically, sensorily and mentally capable of operating the lawn mower and battery and working with them. If the user is physically, sensorily or mentally impaired, the machine must only be used under supervision or following instruction by a responsible person.
 - The user can recognise and evaluate the dangers posed by the lawn mower and battery.
 - The user is aware that they are responsible for accidents and damage.
 - The user is of legal age or the user is being trained under supervision in a profession in accordance with national regulations.

- The user has received instruction from a STIHL specialist dealer or a competent person before using the lawn mower for the first time.
- The user is not impaired by alcohol, medicines or drugs.
- ▶ If anything is unclear: consult a STIHL specialist dealer.

4.4 Clothing and Equipment

⚠ WARNING

- Objects may be thrown up at high velocity while working. This may result in injury to the user.
 - ▶ Wear long trousers made from resistant material.
- Dust may be stirred up while working. Breathing in dust may be harmful to health and cause allergic reactions.
 - ▶ If dust is stirred up: wear a dust mask.
- Unsuitable clothing may get caught on wood, briars and in the lawn mower. This may result in serious injury to the user.
 - ▶ Wear close-fitting clothing.
 - ▶ Remove scarves and jewellery.
- The user may come into contact with the blade during cleaning, maintenance or transport. This may result in injury to the user.
 - ▶ Wear protective gloves.
- Wearing unsuitable footwear may cause the user to slip. This may result in injury to the user.
 - ▶ Wear sturdy, closed-toed footwear with high-grip soles.
- Material particles may be expelled when sharpening the blade. This may result in injury to the user.
 - ▶ Wear close-fitting safety glasses. Suitable safety glasses are tested in accordance with EN 166 or national regulations and available commercially with the corresponding marking.
 - ▶ Wear protective gloves.

4.5 Work Area and Surroundings

4.5.1 Lawn Mower

⚠ WARNING

- Bystanding people, children and animals cannot recognise or evaluate the dangers posed by the lawn mower and objects expelled at high speed by the mower. This may result in serious injury to bystanding people, children and animals and damage to property.

- ▶ Keep bystanding people, children and animals out of the work area.
- ▶ Maintain a distance from objects.
- ▶ Do not leave the lawn mower unattended.
- ▶ Make sure that children cannot play with the lawn mower.
- Working in the rain may cause the user to slip. This may result in serious or fatal injury to the user.
 - ▶ Do not work when it is raining.
- The lawn mower is not waterproof. Working in the rain or in a damp environment may result in electric shock. This may result in injury to the user and damage to the lawn mower.
 - ▶ Do not work in the rain or in a damp environment.
 - ▶ Do not mow and mulch wet grass.
- Electrical components of the lawn mower may produce sparks. Sparks may cause fires and explosions in highly flammable or explosive environments. This may result in serious or fatal injury to people and damage to property.
 - ▶ Do not work in a highly flammable or explosive environment.


4.5.2 Battery

⚠ WARNING

- Bystanders, children and animals cannot recognize or assess the dangers of the battery. Bystanders, children and animals may be seriously injured.
 - ▶ Keep bystanders, children and animals away from the work area.
 - ▶ Do not leave the battery unattended.
 - ▶ Make sure that children cannot play with the battery.
- The battery is not protected against all ambient conditions. If the battery is exposed to certain ambient conditions, the battery may catch fire, explode or be irreparably damaged. This may result in serious injury to people and damage to property.



- ▶ Protect battery from heat and fire.
- ▶ Do not throw the battery into a fire.

- ▶ Do not charge, use and store the battery outside of the specified temperature limits,  20.6.



- ▶ Protect the battery from rain and moisture and do not immerse it in liquids.

- ▶ Keep battery away from small metal parts.
- ▶ Do not expose the battery to high pressure.

- ▶ Do not expose the battery to microwaves.
- ▶ Protect the battery from chemicals and salts.


4.5.3 Charger

⚠ WARNING

- Bystanders and children are not aware of and cannot assess the dangers of a charger or electric current. Bystanders, children and animals may be seriously or fatally injured.
 - ▶ Keep bystanders, children and animals away from the work area.
 - ▶ Make sure that children cannot play with the charger.
- The charger is not waterproof. If you work in the rain or in a damp environment, an electric shock may occur. The user may be injured and the charger may be damaged.



- ▶ Do not operate it in the rain or in a damp environment.

- The charger is not protected against all ambient conditions. If the charger is exposed to certain ambient conditions, it may catch fire or explode. This may result in serious injury to people and damage to property.
 - ▶ Operate the charger in an enclosed, dry room.
 - ▶ Do not operate the charger in a flammable environment or in an explosive environment.
 - ▶ Do not operate the charger on a readily combustible surface.
 - ▶ Do not use and store the charger outside of the specified temperature limits,  20.6.
- People may trip over the connecting cable. People may be injured and the charger may be damaged.
 - ▶ Lay the connecting cable flat on the floor.

4.6 Safe Condition

4.6.1 Lawn Mower

The lawn mower is in safe condition when the following conditions are met:

- The lawn mower is free from damage.
- The lawn mower is clean and dry.
- The controls are working and have not been modified.
- If mowing and the mown grass is to be collected in the grass catcher box: the mulch insert is removed, the extension is detached and the grass catcher box is correctly attached.

- If mowing and the mown grass is to be ejected to the rear: the grass catcher box is detached and the discharge flap is closed.
- If mowing and the mown grass is to be directed to the ground from the side: the grass catcher box is detached, the mulch insert is correctly inserted and the extension is correctly attached.
- If mulching: the extension and grass catcher box are detached and the mulch insert is correctly inserted.
- The blade is correctly attached.
- Genuine STIHL accessories for this lawn mower are correctly attached.



⚠ WARNING

- If not in safe condition, components may no longer operate correctly and safety devices may be disabled. This may result in serious or fatal injury to people.
 - ▶ Do not use a damaged lawn mower.
 - ▶ If the lawn mower is dirty or wet: clean the lawn mower and allow it to dry.
 - ▶ Do not modify the lawn mower.
 - ▶ If the controls are not working: do not use the lawn mower.
 - ▶ If mowing and the mown grass is to be collected in the grass catcher box: remove the mulch insert, detach the extension and attach the grass catcher box as described in this instruction manual.
 - ▶ If mowing and the mown grass is to be directed to the ground from the side: detach the grass catcher box, insert the mulch insert and attach the extension as described in this instruction manual.
 - ▶ If mulching: detach the extension and grass catcher box and insert the mulch insert as described in this instruction manual.
 - ▶ Attach genuine STIHL accessories for this lawn mower.
 - ▶ Attach the blade as described in this instruction manual.
 - ▶ Attach accessories as described in this instruction manual or in the instruction manual for the accessories.
 - ▶ Do not insert objects into the apertures in the lawn mower.
 - ▶ Replace worn or damaged warning signs.
 - ▶ If anything is unclear: consult a STIHL specialist dealer.

4.6.2 Blade

The blade is in safe condition when the following conditions are met:

- The blade and attachments are undamaged.

- The blade is not deformed.
- The blade is correctly attached.
- The blade is correctly sharpened.
- The blade is burr-free.
- The blade is correctly balanced.
- The minimum thickness and minimum width of the blade are not fallen below,  20.2.
- The sharpening angle is observed,  20.2.

⚠ WARNING


- In unsafe condition, blade parts may come loose and be expelled. This may result in serious injury to people.
 - ▶ Use an undamaged blade and attachments.
 - ▶ Attach the blade correctly.
 - ▶ Sharpen the blade correctly.
 - ▶ If the minimum thickness or minimum width is fallen below: replace the blade.
 - ▶ Have the blade balanced by a STIHL specialist dealer.
 - ▶ If anything is unclear: consult a STIHL specialist dealer.

4.6.3 Battery

The battery is in a safe condition if the following points are observed:

- Battery is undamaged.
- The battery is clean and dry.
- Battery functions properly and has not been modified.

⚠ WARNING

- A battery that is not in a safe condition cannot operate safely. Persons may be seriously injured.
 - ▶ Never work with a damaged battery.
 - ▶ Never attempt to charge a damaged or defective battery.
 - ▶ If the battery is dirty: Clean the battery.
 - ▶ If the battery is wet or damp: Allow the battery to dry,  20.7.
 - ▶ Never attempt to modify the battery.
 - ▶ Never insert objects in the battery's openings.
 - ▶ Never bridge the battery's contacts with metallic objects (short circuit).
 - ▶ Do not open the battery.
 - ▶ Replace worn or damaged labels.
- Fluid may leak from a damaged battery. If that liquid comes into contact with the skin or eyes, the skin or eyes may be irritated.
 - ▶ Avoid contact with the liquid.
 - ▶ If skin contact occurs: Wash affected areas of skin with plenty of water and soap.

- ▶ In the event of contact with eyes: Rinse eyes with plenty of water for at least 15 minutes and consult a doctor.
- A damaged or defective battery may smell unusual, emit smoke or burn. Persons may be seriously or fatally injured, and property may be damaged.
 - ▶ If the battery smells unusual or emits smoke: do not use the battery and keep it away from combustible substances.
 - ▶ If the battery catches fire: Attempt to extinguish the battery with a fire extinguisher or water.

4.6.4 Charger

The charger is in a safe condition if the following points are observed:

- Charger is undamaged.
- Charger is clean and dry.

⚠ WARNING

- If components do not comply with safety requirements, they will no longer function properly and safety devices may be rendered inoperative. This can result in serious or fatal injuries.
 - ▶ Do not use a damaged charger.
 - ▶ If the charger is dirty or wet: Clean the charger and allow it to dry.
 - ▶ Never attempt to modify the charger.
 - ▶ Never insert objects in the charger's openings.
 - ▶ Never bridge the charger's contacts with metallic objects (short circuit).
 - ▶ Do not open the charger.

4.7 Working

⚠ WARNING

- In certain situations, the user may no longer be able to concentrate on their work. This may result in the user stumbling, falling and becoming seriously injured.
 - ▶ Work calmly and carefully.
 - ▶ If the light and visibility conditions are poor: do not use the lawn mower.
 - ▶ Operate the lawn mower alone.
 - ▶ Watch out for obstacles.
 - ▶ Do not tilt the lawn mower.
 - ▶ Work standing on the ground and maintain balance.
 - ▶ If signs of fatigue occur: take a break.
 - ▶ If mowing on a slope: Mow across the slope.
 - ▶ Do not work on slopes with an inclination greater than 25° (46.6%).

- Hard objects hitting the rotating blade can damage the lawn mower.
 - ▶ If a hard object hits the rotating blade, switch off the lawn mower, remove the battery and check the lawn mower for damage.
 - ▶ If the lawn mower is damaged: consult a STIHL specialist dealer.
- The turning blade may cut the user. This may result in serious injury to the user.



- ▶ Do not touch a turning blade.
- ▶ If the blade is blocked by an object: Switch the lawn mower off and remove the battery. Only then remove the object.
- If working without self-propulsion when mowing, self-propulsion may unintentionally be engaged and the lawn mower may start moving. This may result in serious injury to people and damage to property.
 - ▶ Only press the control bar for self-propulsion if self-propulsion is to be engaged.
- If the lawn mower changes or starts to behave differently when working, it may not be in safe condition. This may result in serious injury to people and damage to property.
 - ▶ Stop working, remove the battery and consult a STIHL specialist dealer.
- The lawn mower may cause vibrations when working.
 - ▶ Wear protective gloves.
 - ▶ Take breaks.
 - ▶ If signs of a circulatory disturbance occur: consult a doctor.
- If the blade hits a foreign object when working, the foreign object or parts of it may be damaged or thrown up at high velocity. This may result in injury to people and damage to property.
 - ▶ Remove foreign objects from the work area.
- When the control bar for mowing is released, the blade continues to turn for a short time. This may result in serious injury to people.
 - ▶ Wait until the blade is no longer turning.
- Sparks may be produced if the turning blade hits a hard object. Sparks may cause fires in highly flammable environments. This may result in serious or fatal injury to people and damage to property.
 - ▶ Do not work in a highly flammable environment.
- If the lawn mower is stopped on a sloping surface, it may unintentionally roll away. This may result in injury to people and damage to property.
 - ▶ Only let go of the lawn mower if it is on a level surface and cannot roll away by itself.

- If objects are attached to the handlebar, the additional weight may cause the lawn mower to tip over. This may result in injury to people and damage to property.
 - ▶ Do not attach objects to the handlebar.

⚠ DANGER

- If working near live wires, the blade may come into contact with the live wires and damage them. This may result in serious or fatal injury to the user.
 - ▶ Do not work near live wires.
- The user may be struck by lightning if working during a thunderstorm. This may result in serious or fatal injury to the user.
 - ▶ In case of thunderstorms: Do not continue work.
- The self-propulsion disengages in the event of overload when working on steep slopes. This causes the user to spontaneously have to apply a greater pushing force, which may cause the user to lose control of the lawn mower. The lawn mower may roll towards the user due to its own weight.
 - ▶ Mow across the slope. Ensure a secure footing to maintain control of the lawn mower at all times.

4.8 Charging

⚠ WARNING

- A damaged or defective charger may produce an unusual smell or emit smoke during the charging process. This may result in personal injuries and damage to property.
 - ▶ Disconnect the plug from the wall outlet.
- The charger can overheat and cause a fire if heat dissipation is inadequate. This can result in serious or fatal injuries and damage to property.
 - ▶ Do not cover the charger.

4.9 Connecting to the power supply

Contact with live components may occur for the following reasons:

- The connecting cable or the extension cord is damaged.
- The mains plug of the connecting cable or extension cord is damaged.
- The socket is not properly installed.

⚠ DANGER

- Contact with live parts may result in electric shock. This may result in serious or fatal injury to the user.

- ▶ Make sure that the connecting cable, extension cord and their mains plugs are undamaged.



If the connecting cable or the extension cord is damaged:

- ▶ Do not touch the damaged area.
- ▶ Disconnect the mains plug from the power supply.
- ▶ Make sure your hands are dry before touching the connecting cable, extension cord or mains plugs.
- ▶ Plug the mains plug of the connecting cable or extension cord into a properly installed, shockproof socket with the correct fuse rating.
- ▶ Install the charger with a ground fault circuit interrupter (30 mA, 30 ms).
- A damaged or unsuitable extension cable can result in electric shock. There is a risk of serious or fatal injury.
 - ▶ Use an extension cable with the correct cable cross-section, 20.5.

⚠ WARNING

- Overvoltage can occur in the charger if the line voltage or frequency are incorrect during charging. The charger may be damaged.
 - ▶ Make sure that the mains voltage and the mains frequency of the power supply match the data on the rating plate of the charger.
- If the charger is connected to a power strip, electrical components may be overloaded during the charging process. The components may overheat and cause a fire. Persons may be seriously or fatally injured, and property may be damaged.
 - ▶ Ensure that the technical specifications for the power strip are not exceeded by the information on the rating plate of the charger and of all electrical devices connected to the power strip.
- An incorrectly routed connecting cable or extension cord may be damaged, and people may trip over it. People may be injured, and the connecting cable or extension cord may be damaged.
 - ▶ Route and mark the connecting cable and extension cord so that people will not trip over them.
 - ▶ Route the connecting cable and extension cord so that they are not under tension or tangled.
 - ▶ Route the connecting cable and extension cord so that they will not be damaged, kinked or crushed and will not be chafed.

- ▶ Protect the connecting cable and extension cord from heat, oil and chemicals.
- ▶ Lay the connecting cable and extension cord on a dry surface.
- The extension cable warms up in operation. If that heat cannot escape, it may cause a fire.
 - ▶ If using a cable reel: completely unroll the cable reel.
- If wiring and pipes are laid in the wall, they may be damaged if the charger is mounted on the wall. Contact with wiring can result in electric shock. This may result in serious injury to people and damage to property.
 - ▶ Make sure there is no wiring or pipes in the wall at the proposed mounting site.
- If the charger is not mounted on the wall as described in this User Manual, the charger or the battery may fall or the charger may overheat. This may result in injury to people and damage to property.
 - ▶ Mount the charger on a wall as described in this User Manual.
- If the charger is mounted on a wall with the battery inserted, the battery may fall out of the charger. This may result in injury to people and damage to property.
 - ▶ Mount the charger on the wall first before inserting the battery.

4.10 Transporting

4.10.1 Lawn Mower

⚠ WARNING

- The lawn mower may tip over or move during transport. This may result in injury to people and damage to property.



- ▶ Remove the battery.

- ▶ Secure the lawn mower with lashing straps, belts or a net so it cannot tip over and move.
- If the battery is inserted during transport with self-propulsion disengaged, self-propulsion may unintentionally be engaged and the lawn mower may start moving. This may result in serious injury to people and damage to property.



- ▶ Remove the battery.

4.10.2 Battery

⚠ WARNING

- The battery is not protected against all ambient conditions. The battery may be damaged if it is exposed to certain ambient conditions, and damage to property may occur.
 - ▶ Never transport a damaged battery.
- The battery may turn over or shift during transport. This may result in injury to people and damage to property.
 - ▶ Pack the battery in packaging in such a way that it cannot move.
 - ▶ Secure the packaging so that it cannot move.

4.10.3 Charger

⚠ WARNING

- The charger may turn over or move while being transported. This may result in personal injuries and damage to property.
 - ▶ Disconnect the plug from the wall outlet.
 - ▶ Remove the battery.
 - ▶ Secure the charger with lashing straps, belts or a net to prevent it turning over and moving.
- The connecting cable must not be used for carrying the charger. The connecting cable and the charger may be damaged.
 - ▶ Wind up the connecting cable and attach it to the charger.

4.11 Storing

4.11.1 Lawn Mower

⚠ WARNING

- Children cannot recognise or evaluate the dangers posed by the lawn mower. There is a risk of serious injury to children.



- ▶ Remove the battery.

- ▶ Keep the lawn mower out of reach of children.
- Moisture may cause corrosion to the electrical contacts on the lawn mower and metal components. This may result in damage to the lawn mower.



- ▶ Remove the battery.

- ▶ Keep the lawn mower clean and dry.

- If the battery is inserted during storage, the blade and the self-propulsion mechanism may unintentionally be activated. This may result in serious injury to people and damage to property.



- ▶ Remove the battery.

- If the lawn mower is kept on a sloping surface, it may unintentionally roll away. This may result in injury to people and damage to property.
 - ▶ The lawn mower should only be kept on level surfaces.

4.11.2 Battery

⚠ WARNING

- Children cannot recognise or evaluate the dangers posed by batteries. There is a risk of serious injury to children.
 - ▶ Keep the battery out of reach of children.
- The battery is not protected against all ambient conditions. If exposed to certain ambient conditions, the battery may be irreparably damaged.
 - ▶ Keep the battery clean and dry.
 - ▶ Store the battery in an enclosed space.
 - ▶ Store the battery separately from the lawn mower.
 - ▶ If the battery is stored in the charger: disconnect the mains plug and store the battery at a charge state between 40% and 60% (2 LEDs illuminated green).
 - ▶ Do not store the battery outside the specified temperature limits, 20.6.

4.11.3 Charger

⚠ WARNING

- Children are not aware of and cannot assess the dangers of a charger. Children can be seriously injured or killed.
 - ▶ Disconnect the plug from the wall outlet.
 - ▶ Store the charger out of reach of children.
- The charger is not protected against all ambient conditions. If the charger is exposed to certain ambient conditions, the charger may be damaged.
 - ▶ Disconnect the plug from the wall outlet.
 - ▶ If the charger is hot: Allow the charger to cool down.
 - ▶ Store the charger in a clean, dry place.
 - ▶ Store the charger in an enclosed room.

- ▶ Do not store the charger outside of the specified temperature limits, 20.6.
- The connecting cable should not be used for carrying the charger or hanging up the charger. The connecting cable and the charger may be damaged.
 - ▶ Hold the charger by the housing in a secure grip. The charger is provided with a handle recess to make it easy to pick up the charger.
 - ▶ Hang the charger on the wall mounting.

4.12 Cleaning, Maintenance and Repair

⚠ WARNING

- If the battery is inserted during cleaning, maintenance or repair, the blade may unintentionally be activated. This may result in serious injury to people and damage to property.



- ▶ Remove the battery.

- If the battery is inserted during cleaning, maintenance and repair, self-propulsion may unintentionally be engaged and the lawn mower may start moving. This may result in serious injury to people and damage to property.



- ▶ Remove the battery.

- Abrasive cleaning agents, sharp objects or using a jet of water for cleaning may result in damage to the lawn mower, blade and battery. If the lawn mower, blade and battery are not cleaned correctly, components may no longer operate correctly and safety devices may be disabled. This may result in serious injury to people.
 - ▶ Clean the lawn mower, blade and battery as described in this instruction manual.
- If the lawn mower, blade or battery are not maintained or repaired correctly, components may no longer operate correctly and safety devices may be disabled. This may result in serious or fatal injury to people.
 - ▶ Do not maintain or repair the lawn mower or battery yourself.
 - ▶ If the lawn mower or battery need to be maintained or repaired: consult a STIHL specialist dealer.
 - ▶ Maintain the blade as described in this instruction manual.

- The user may cut themselves on sharp cutting edges during blade cleaning, maintenance or repair. This may result in injury to the user.
 - ▶ Wear protective gloves.
- The blade may become hot during sharpening. This may result in the user burning themselves.
 - ▶ Wait until the blade has cooled down.
 - ▶ Wear protective gloves.
- The blade on the lawn mower is movable even when the engine is switched off. During maintenance of the blade, the user may be injured by the moving blade.
 - ▶ Work carefully.
 - ▶ Wear protective gloves.
- The blade on the lawn mower is movable. During blade maintenance, the user may trap their fingers between the moving blade and fixed parts of the lawn mower.
 - ▶ Work carefully.
 - ▶ Wear protective gloves.

5 Preparing the Lawn Mower for Operation

5.1 Preparing the Lawn Mower for Operation

The following steps must be performed before commencing work:

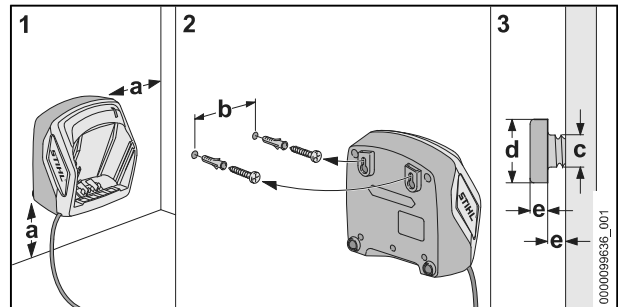
- ▶ Remove packaging material and transport locks.
- ▶ Make sure that the following components are in safe condition:
 - Lawn mower, [4.6](#).
 - Blade, [4.6.2](#).
 - Battery, [4.6.3](#).
 - Charger, [4.6.4](#).
- ▶ Check the battery, [11.3](#).
- ▶ Fully charge the battery, [6.2](#).
- ▶ Clean the lawn mower, [16.2](#).
- ▶ Check the blade, [11.2](#).
- ▶ Fold up the handlebar, [8.1](#).
- ▶ Adjust the handlebar, [8.3](#).
- ▶ If mowing and the grass is to be collected in the grass catcher box:
 - ▶ Detach the extension, [7.3.2](#).
 - ▶ Remove the mulch insert, [7.2.1](#).
 - ▶ Attach the grass catcher box, [7.1.2](#).
- ▶ If mowing and the grass is to be directed to the ground from the side:
 - ▶ Detach the grass catcher box, [7.1.3](#).
 - ▶ Insert the mulch insert, [7.2.2](#).
 - ▶ Attach the extension, [7.3.1](#).
- ▶ If mulching:

- ▶ Detach the extension, [7.3.2](#).
- ▶ Detach the grass catcher box, [7.1.3](#).
- ▶ Insert the mulch insert, [7.2.2](#).
- ▶ Set the cutting height, [12.2](#).
- ▶ Check the controls, [11.1](#).
- ▶ If the steps cannot be performed: do not use the lawn mower and consult a STIHL specialist dealer.

6 Charging the Battery, LEDs

6.1 Mounting the charger on a wall

The charger can be mounted on a wall.



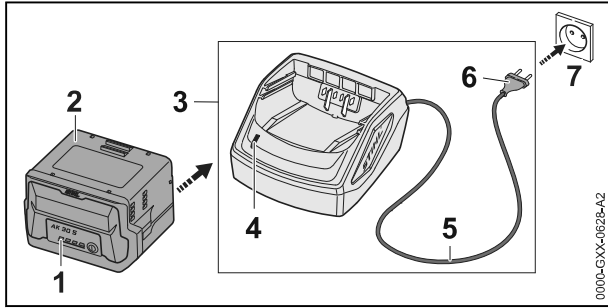
- ▶ Check the following points when mounting the charger on a wall:
 - Use suitable mounting materials.
 - The charger is level.
 The following dimensions are observed:
 - a = at least 100 mm
 - b (for AL 101) = 75 mm
 - b (for AL 301, AL 501) = 100 mm
 - c = 4.5 mm
 - d = 9 mm
 - e = 2.5 mm

6.2 Charging the battery

The charging time depends on various factors, e.g. the battery temperature or the ambient temperature. For optimum performance, observe the recommended temperature ranges, [20.7](#). The actual charging time may vary from the charging time indicated. The charging time is indicated at www.stihl.com/charging-times.

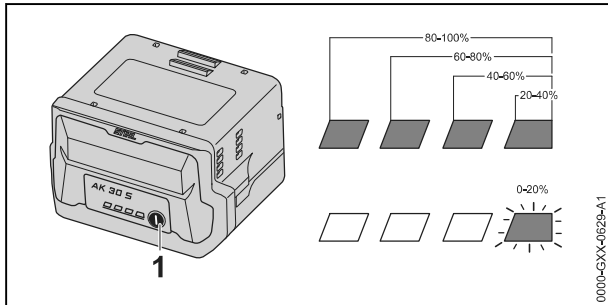
The charging process starts automatically when the mains plug is plugged into a socket and the battery is inserted into the charger. The charger switches off automatically when the battery is fully charged.

The battery and the charger warm up during charging.



- ▶ Plug the mains plug (6) into an easily accessible socket (7). The charger (3) will run a self-test. The LED (4) will glow green for about 1 second and red for about 1 second.
- ▶ Routing the connecting cord (5).
- ▶ Insert the battery (2) in the guides in the charger (3) and press it home as far as stop. The LED (4) glows green. The LEDs (1) glow green and the battery (2) is being charged.
- ▶ When the LED (4) and the LEDs (1) on the battery no longer light up: The battery (2) is fully charged and can be removed from the charger (3).
- ▶ If the charger (3) is no longer required: Disconnect the mains plug (6) from the wall outlet (7).

6.3 Displaying the state of charge



- ▶ Depress the pushbutton (1). The LEDs light up green for about 5 seconds and indicate the state of charge.
- ▶ If the LED on the right flashes green: Charge the battery.

6.4 LEDs on Battery

The LEDs can show the state of charge or malfunctions. The LEDs can glow or flash green or red.

The state of charge is indicated when the LEDs glow or flash green.

- ▶ If the LEDs glow or flash red: Troubleshooting, 19.1. There is a malfunction in the mower or battery.

6.5 LED on Charger

The LED indicates the operating status of the charger.

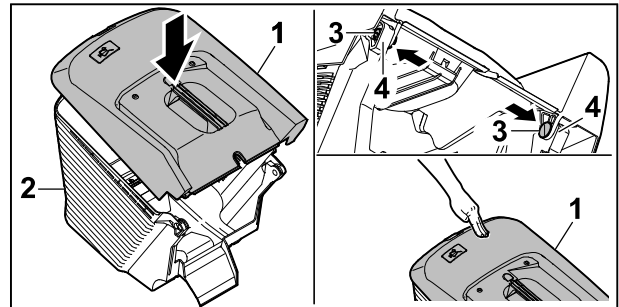
If the LED glows green, the battery is being charged.

- ▶ If the LED flashes red: Rectify the malfunction. Malfunction in charger.

7 Assembling the Lawn Mower

7.1 Assembling, Attaching and Detaching the Grass Catcher Box

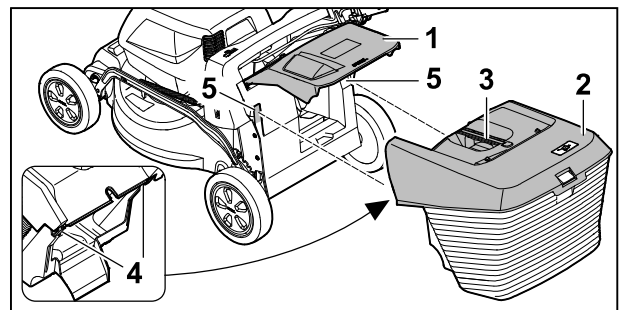
7.1.1 Assembling the Grass Catcher Box



- ▶ Fit upper part of grass catcher box (1) onto lower part of grass catcher box (2).
- ▶ Press pins (3) through openings (4) from the inside.
- ▶ Press upper part of grass catcher box (1) downwards. The upper part of the grass catcher box engages with a click.

7.1.2 Attaching the Grass Catcher Box

- ▶ Switch the lawn mower off.
- ▶ Place the lawn mower on a level surface.
- ▶ If the extension is attached: detach the extension.
- ▶ If the mulch insert is inserted: remove the mulch insert.



- ▶ Open discharge flap (1) and hold it open.

- ▶ Take hold of grass catcher box (2) by handle (3) and attach to mounts (5) from above using hooks (4).
- ▶ Set down discharge flap (1) on grass catcher box (2).

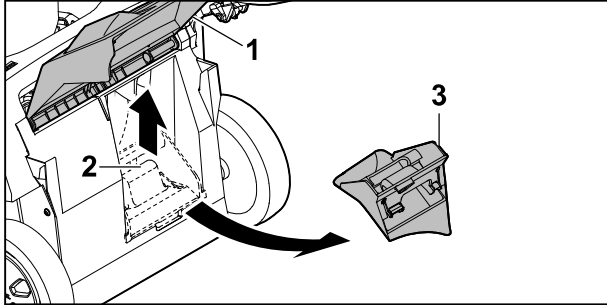
7.1.3 Detaching the Grass Catcher Box

- ▶ Switch the lawn mower off.
- ▶ Place the lawn mower on a level surface.
- ▶ Open the discharge flap and hold it open.
- ▶ Remove the grass catcher box upwards by the handle.
- ▶ Close the discharge flap.

7.2 Removing and Inserting the Mulch Insert

7.2.1 Removing the Mulch Insert

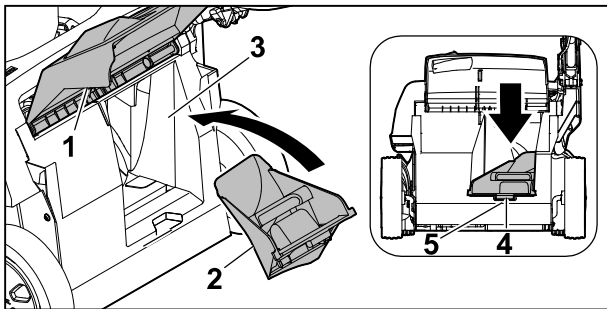
- ▶ Switch the lawn mower off and remove the battery.
- ▶ Place the lawn mower on a level surface.



- ▶ Open discharge flap (1) and hold it open.
- ▶ Lift detent catch (2).
- ▶ Remove mulch insert (3) from the discharge chute.
- ▶ Close discharge flap (1).

7.2.2 Inserting the Mulch Insert

- ▶ Switch the lawn mower off and remove the battery.
- ▶ Place the lawn mower on a level surface.

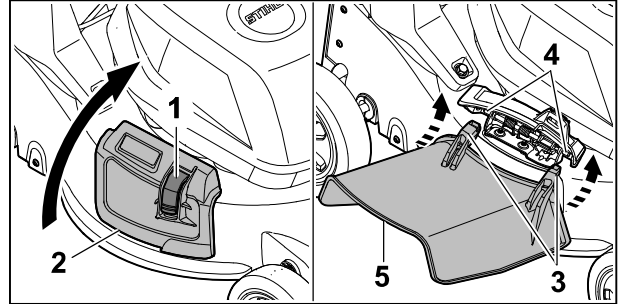


- ▶ Open discharge flap (1) and hold it open.
- ▶ Insert mulch insert (2) into discharge chute (3).
- ▶ Press locating lug (4) of the mulching insert into the recess of housing (5). The detent catch engages.
- ▶ Close discharge flap (1).

7.3 Attaching and Detaching the Extension

7.3.1 Attaching the Extension

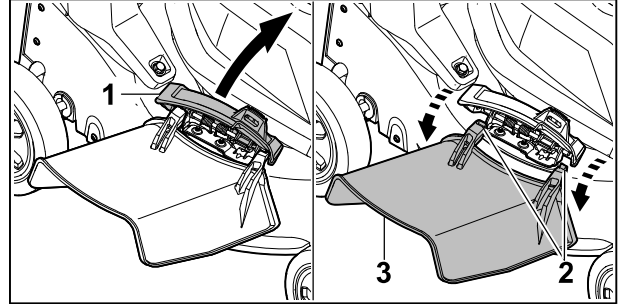
- ▶ Switch the lawn mower off and remove the battery.
- ▶ Place the lawn mower on a level surface.



- ▶ Press lock (1) and hold.
- ▶ Open side discharge flap (2) and hold it open.
- ▶ Attach both hooks (3) to the axle (4) from below.
- ▶ Set down side discharge flap (2) on extension (5).

7.3.2 Detaching the Extension

- ▶ Switch the lawn mower off and remove the battery.
- ▶ Place the lawn mower on a level surface.

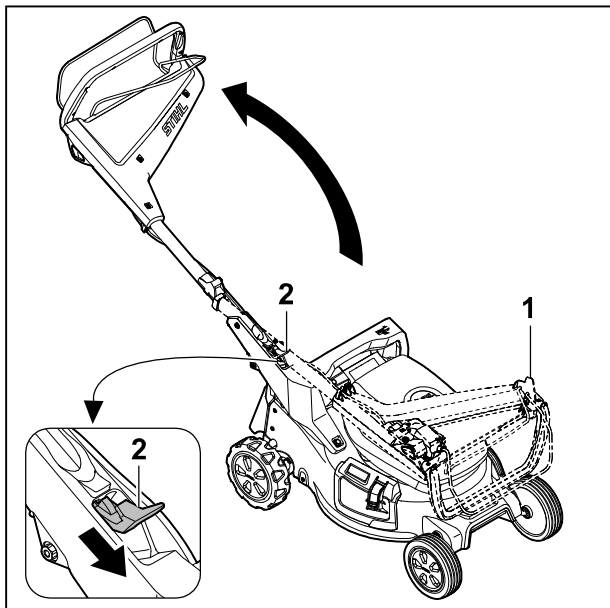


- ▶ Open side discharge flap (1) and hold it open.
- ▶ Unhook both hooks (2).
- ▶ Fold extension (3) upwards and remove.
- ▶ Close side discharge flap (1).

8 Adjusting the Lawn Mower for the User

8.1 Folding Up the Handlebar

- ▶ Switch the lawn mower off and remove the battery.
- ▶ Place the lawn mower on a level surface.



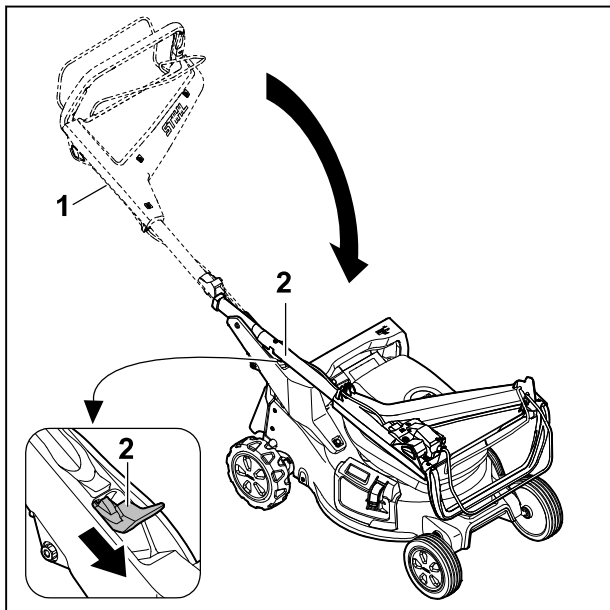
- ▶ Hold handlebar (1).
- ▶ Press lever (2) downwards and hold.
- ▶ Fold up handlebar (1).
- ▶ Release lever (2).

The handlebar audibly clicks into place.

8.2 Folding the Handlebar

The handlebar can be folded for space-saving transport or storage.

- ▶ Switch the lawn mower off and remove the battery.
- ▶ Place the lawn mower on a level surface.

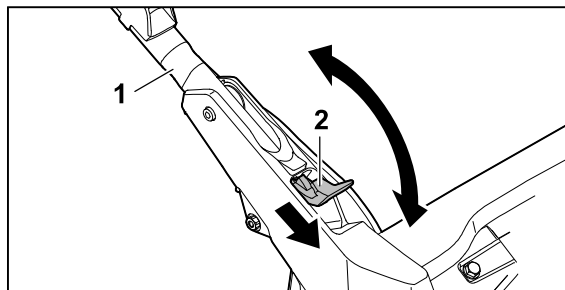


- ▶ Hold handlebar (1).
- ▶ Press lever (2) downwards and hold.
- ▶ Fold down handlebar (1).
- ▶ Release lever (2).

The handlebar audibly clicks into place.

8.3 Adjusting the Handlebar

- ▶ Switch the lawn mower off and remove the battery.
- ▶ Place the lawn mower on a level surface.

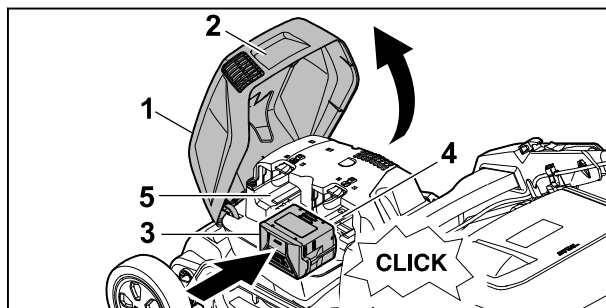


- ▶ Hold handlebar (1).
- ▶ Press lever (2) downwards and hold.
- ▶ Adjust handlebar (1) to the desired position and make sure the handlebar fully engages again.
- ▶ Release lever (2).

9 Removing and Fitting the Battery

9.1 Fitting the Battery

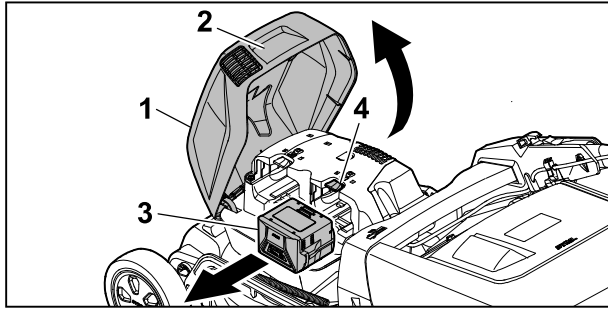
- ▶ Place the lawn mower on a level surface.



- ▶ Take hold of flap (1) by handle (2), open it as far as it will go and hold it open.
- ▶ Push battery (3) into battery compartment 1 (4) as far as it will go. The battery audibly clicks into place and is locked.
- ▶ If a second battery is to be carried: press the battery into battery compartment 2 (5). The battery audibly clicks into place and is locked.
- ▶ Close flap (1).

9.2 Removing the Battery

- ▶ Place the lawn mower on a level surface.



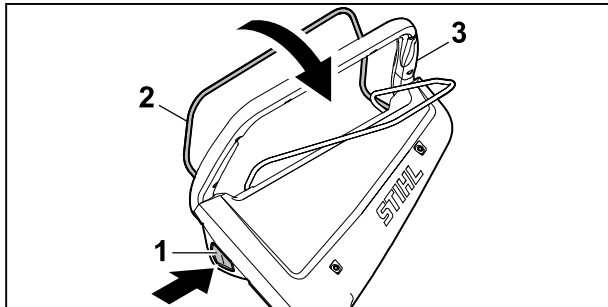
- ▶ Take hold of flap (1) by handle (2), open it as far as it will go and hold it open.
- ▶ Hold battery (3) and press locking lever (4). The battery is released.
- ▶ Remove battery (3).
- ▶ Close flap (1).

10 Switching the Lawn Mower On and Off

10.1 Activating and Deactivating the Blade

10.1.1 Activating the Blade

- ▶ Do not tilt the lawn mower.
- ▶ Place the lawn mower on a level surface.



- ▶ Press locking button (1) with the right hand and hold.
- ▶ Pull control bar for mowing (2) with the left hand fully in the direction of handlebar (3) and hold so the thumb encloses handlebar (3). The blade rotates.
- ▶ Release locking button (1).
- ▶ Hold handlebar (3) and control bar for mowing (2) with the right hand so the thumb encloses handlebar (3).

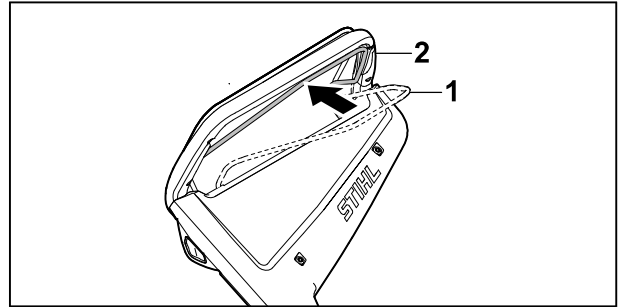
10.1.2 Deactivating the Blade

- ▶ Release the control bar for mowing.
- ▶ Wait until the blade is no longer turning.
- ▶ If the blade continues to turn: remove the battery and consult a STIHL specialist dealer. The lawn mower is defective.

10.2 Switching the Drive On and Off

10.2.1 Engaging Self-propulsion

- ▶ Place the lawn mower on a level surface.
- ▶ Activate the blade.



- ▶ Pull control bar for self-propulsion (1) fully in the direction of handlebar (2) and hold so the thumb encloses handlebar (2). The lawn mower starts moving.

10.2.2 Disengaging Self-propulsion

- ▶ Release the control bar for self-propulsion.
- ▶ Wait until the lawn mower comes to a standstill.
- ▶ If the lawn mower continues moving: remove the battery and consult a STIHL specialist dealer. The lawn mower is defective.

11 Checking the Lawn Mower

11.1 Checking the Controls

Locking button and control bar for mowing

- ▶ Remove the battery.
- ▶ Press the locking button and release it again.
- ▶ Pull the control bar for mowing fully in the direction of the handlebar and release again.
- ▶ If the locking button or the control bar for mowing is stiff or does not spring back into the initial position: do not use the lawn mower and consult a STIHL specialist dealer. The locking button or the control bar for mowing is defective.

Control bar for self-propulsion

- ▶ Remove the battery.
- ▶ Pull the control bar for self-propulsion fully in the direction of the handlebar and release again.
- ▶ If the control bar for self-propulsion is stiff or does not spring back into the initial position: do not use the lawn mower and consult a STIHL specialist dealer. The control bar for self-propulsion is defective.

Activate the blade


- ▶ Fit the battery.

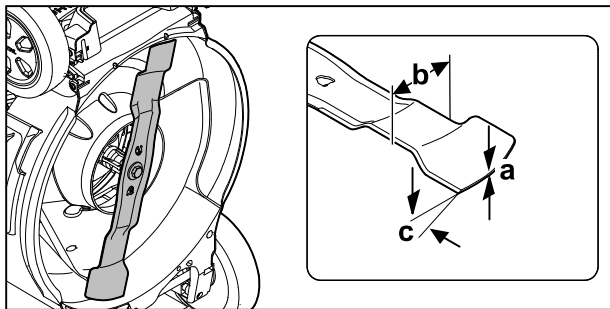
- ▶ Press the locking button with the right hand and hold.
- ▶ Pull the control bar for mowing with the left hand fully in the direction of the handlebar and hold so that the thumb encloses the handlebar.
The blade rotates.
- ▶ Release the lock button and switch lever for mowing mode.
The blade stops turning after a short time.
- ▶ If the blade continues to turn: remove the battery and consult a STIHL specialist dealer.
The lawn mower is defective.



Engage self-propulsion

- ▶ Fit the battery.
- ▶ Activate the blade.
- ▶ Pull the control bar for self-propulsion fully in the direction of the handlebar and hold so your thumb encloses the handlebar.
The lawn mower starts moving.
- ▶ Release the control bar for self-propulsion.
The lawn mower comes to a standstill.
- ▶ If the lawn mower continues moving: remove the battery and consult a STIHL specialist dealer.
The lawn mower is defective.

11.2 Checking the cutting blade

- ▶ Switch off the lawn mower and remove the battery.
- ▶ Stand the lawn mower upright,  16.1.



- ▶ Measure the following:
 - Thickness a
 - Width b
 - Sharpening angle c
- ▶ If the minimum thickness or minimum width falls short: Replace the cutting blade,  20.2.
- ▶ If the sharpening angle is not correct: Sharpen the cutting blade,  20.2.
- ▶ If you are unsure: Contact a STIHL authorized dealer.

11.3 Testing the Battery

- ▶ Press button on battery.
The LEDs glow or flash.

- ▶ If the LEDs do not glow or flash: Do not use the battery and contact your STIHL servicing dealer.
There is a malfunction in the battery.

12 Operating the Lawn Mower

12.1 Holding and Guiding the Lawn Mower



- ▶ Hold the handlebar with both hands so the thumbs enclose the handlebar.

12.2 Setting the cutting height

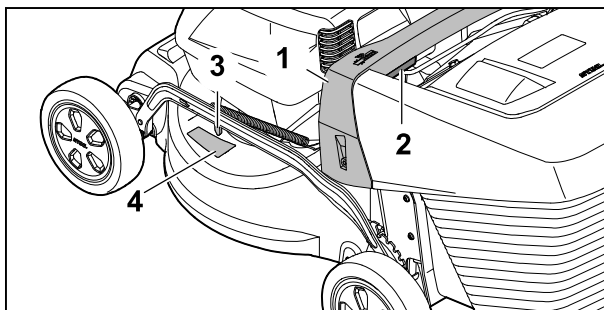
Seven cutting heights can be set:

- 20 mm = position 1
- 30 mm = position 2
- 40 mm = position 3
- 55 mm = position 4
- 70 mm = position 5
- 85 mm = position 6
- 100 mm = position 7

The positions are indicated on the lawn mower.

Setting the cutting height

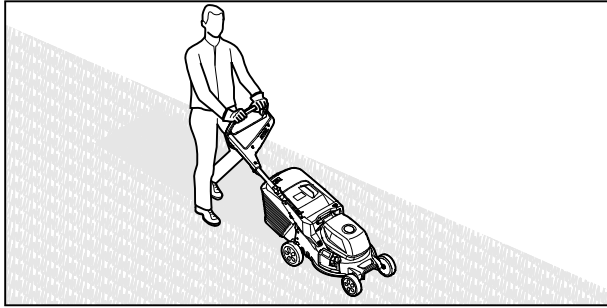
- ▶ Switch the lawn mower off.
The blade must not be turning.
- ▶ Place the lawn mower on a level surface.



- ▶ Hold the lawn mower at handle (1).
- ▶ Press and hold lever (2).
- ▶ Move the lawn mower to the desired position by raising and lowering the lever.
The current cutting height can be read off at cutting height indicator (3) by means of marking (4).
- ▶ Release lever (2).
The lawn mower engages.

12.3 Mowing and Mulching

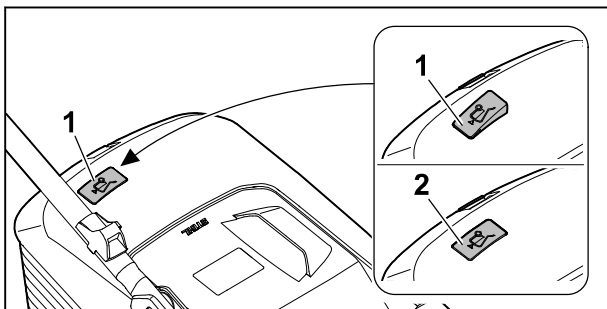
The lawn mower is equipped with a multi-blade and can be used for mowing or mulching.



- ▶ If working with self-propulsion engaged: drive the lawn mower forwards in a controlled manner.
- ▶ If working with self-propulsion disengaged: push the lawn mower forwards slowly and in a controlled manner.
- ▶ If a foreign object is hit during mowing and the blade is blocked:
 - ▶ Switch the lawn mower off and remove the battery.
 - ▶ Make sure that all moving parts have come to a complete stop.
 - ▶ Check the lawn mower.
 - ▶ If repairs are required: consult a STIHL specialist dealer.
- ▶ If the lawn mower begins to vibrate strongly:
 - ▶ Switch the lawn mower off and remove the battery.
 - ▶ Check the lawn mower.
 - ▶ Check that all nuts, bolts, screws and pins are tight.
 - ▶ If repairs are required: consult a STIHL specialist dealer.

For optimum performance, note the recommended temperature ranges, 20.7.

12.4 Emptying the Grass Catcher Box

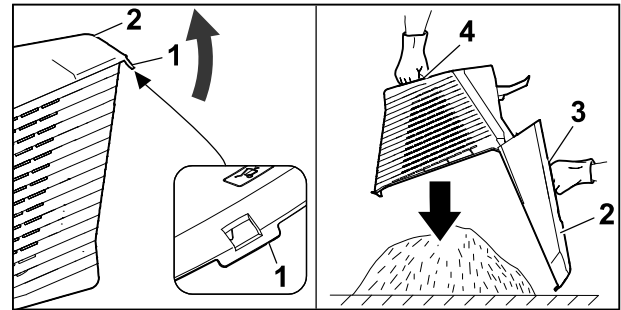


The flow of air generated by the blade raises level indicator (1). The flow of air stops when the grass catcher box is full. If the flow of air is too

low, level indicator (2) returns to its resting state. This is a prompt to empty the grass catcher box.

The functionality of the level indicator is restricted if the flow of air is impaired. External influences such as wet, dense or high grass, low cutting levels, dirt or the like can impair the flow of air and the functionality of the level indicator.

- ▶ If the level indicator drops to its resting state: empty the grass catcher box.
- ▶ Switch the lawn mower off.
- ▶ Detach the grass catcher box.



- ▶ Open tab (1).
- ▶ Open and hold upper part of grass catcher box (2) by handle (3).
- ▶ Hold lower handle (4) with the second hand.
- ▶ Empty the grass catcher box.
- ▶ Close the grass catcher box.
- ▶ Attach the grass catcher box.

13 After Finishing Work

13.1 After Finishing Work

- ▶ Switch the lawn mower off and remove the battery.
- ▶ If the lawn mower is wet: allow it to dry.
- ▶ If the battery is wet or damp: allow it to dry, 20.7.
- ▶ Clean the lawn mower.
- ▶ Clean the battery.

14 Transporting

14.1 Transporting the Lawn Mower

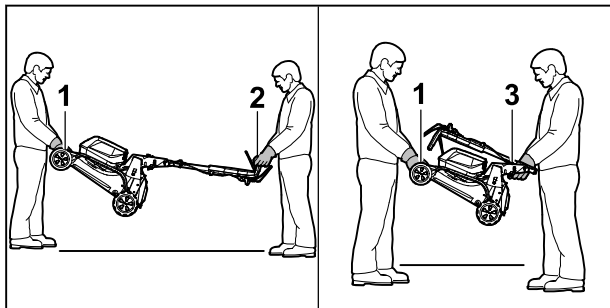
- ▶ If the lawn mower is moved to and from the area to be mowed:
 - ▶ Switch the lawn mower off.
The blade must not be turning.
 - ▶ Remove the battery.
- ▶ If the lawn mower must be tilted for transport over areas other than grass:
 - ▶ Switch the lawn mower off.
The blade must not be turning.
 - ▶ Remove the battery.

Pushing the lawn mower

- ▶ Push the lawn mower forwards slowly and in a controlled manner.

Carrying the lawn mower

- ▶ Switch the lawn mower off.
- ▶ Remove the battery.
- ▶ Wear protective gloves.
- ▶ Detach the grass catcher box.
- ▶ Detach the extension.



- ▶ If the lawn mower is being carried with the handlebar unfolded:
 - ▶ One person holds the lawn mower by transport handle (1) using both hands and another person holds handlebar (2) using both hands.
 - ▶ The lawn mower must be lifted and carried by two people.
- ▶ If the lawn mower is being carried with the handlebar folded:
 - ▶ Fold the handlebar, 8.2.
 - ▶ One person holds the lawn mower by transport handle (1) using both hands and another person holds handle (3) using both hands.
 - ▶ The lawn mower must be lifted and carried by two people.

Transporting the lawn mower in a vehicle

- ▶ Secure the lawn mower upright so it does not tip over and cannot move.

14.2 Transporting the Battery

- ▶ Switch the lawn mower off and remove the battery.
- ▶ Make sure that the battery is in safe condition.
- ▶ Pack the battery in such a way that it cannot move in the packaging.
- ▶ Secure the packaging so it cannot move.

The battery is subject to the requirements for transporting hazardous goods. The battery is classed as a UN 3480 (lithium-ion battery) and has been tested in accordance with the UN Manual of Tests and Criteria, Part III, subsection 38.3.

Please refer to www.stihl.com/safety-data-sheets for transport instructions.

14.3 Transporting the Charger

- ▶ Disconnect the plug from the wall outlet.
- ▶ Remove the battery.
- ▶ Wind up the connecting cable and attach it to the charger.
- ▶ Transporting the charger in a vehicle: Secure the charger with lashing straps, belts or a net to prevent it turning over and moving.

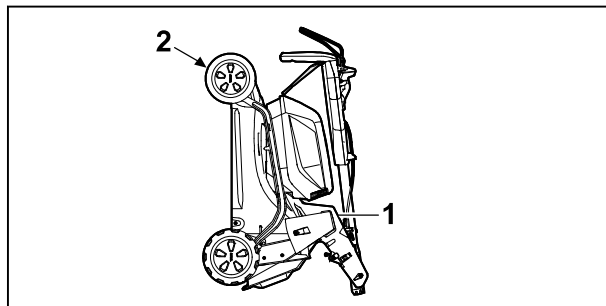
15 Storing**15.1 Storing the Lawn Mower**

- ▶ Switch the lawn mower off and remove the battery.
- ▶ Allow the lawn mower to cool down.
- ▶ Empty the grass catcher box.
- ▶ Store the lawn mower in accordance with the following conditions:
 - The lawn mower is out of reach of children.
 - The lawn mower is clean and dry.
 - The lawn mower cannot tip over.
 - The lawn mower cannot roll away.

15.2 Storage Position

The lawn mower can be folded for space-saving storage.


- ▶ Place the lawn mower on a level surface.
- ▶ Detach the grass catcher box.
- ▶ Set the cutting height to the highest setting. 12.2



- ▶ Fold the handlebar. 8.2
- ▶ Hold the lawn mower with one hand on handle (1) and the other hand on transport handle (2) and upend.

15.3 Storing the Battery

STIHL recommends storing the battery at a charge state between 40% and 60% (2 LEDs illuminated green).

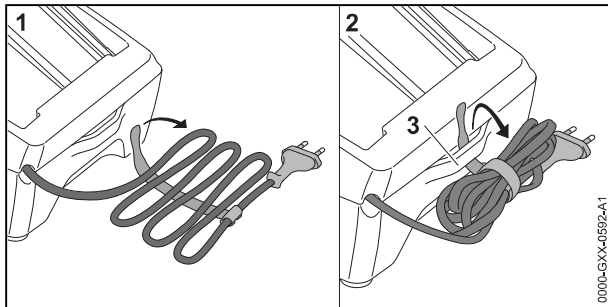
- ▶ Store the battery in accordance with the following conditions:
 - The battery is out of reach of children.
 - The battery is clean and dry.
 - The battery is in an enclosed space.
 - The battery is separate from the lawn mower.
 - If the battery is stored in the charger: disconnect the mains plug and store the battery at a charge state between 40% and 60% (2 LEDs illuminated green).
 - The battery is not stored outside the specified temperature limits,  20.6.


NOTICE

- If the battery is not stored as described in this instruction manual, it may become deeply discharged and irreparably damaged.
 - ▶ Charge a discharged battery before storing it. STIHL recommends storing the battery at a charge state between 40% and 60% (2 LEDs illuminated green).
 - ▶ Store the battery separately from the lawn mower.

15.4 Storing the Charger

- ▶ Disconnect the mains plug from the power supply.





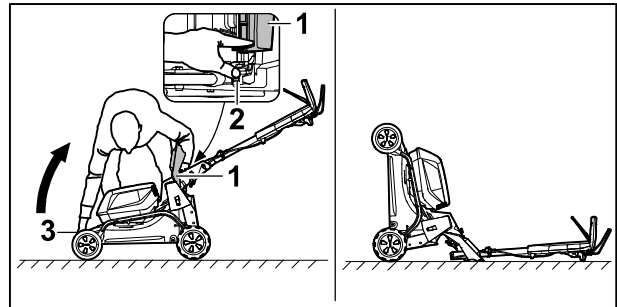
- ▶ Wind up the connecting cable and attach it to the charger.
- ▶ Observe the following points when storing the charger:
 - Charger is out of the reach of children.
 - The charger is clean and dry.
 - Charger is in an enclosed space.
 - The charger is not suspended from the connecting cable or the holder (3) for the connecting cable.
 - Do not store the charger outside of the specified temperature limits,  20.6.

16 Cleaning

16.1 Upending the Lawn Mower

- ▶ Switch the lawn mower off and remove the battery.

- ▶ Place the lawn mower on a level surface.
- ▶ Detach the grass catcher box.
- ▶ Set the cutting height to the highest setting,  12.2
- ▶ Move the handlebar to the lowest position,  8.3.



- ▶ Place to the right of the machine.
- ▶ Open discharge flap (1) and hold it open.
- ▶ Press lever (2) downwards with the left hand and hold.
- ▶ Hold the lawn mower at transport handle (3) with the right hand and upend.

The lawn mower is stable and can be cleaned.

16.2 Cleaning the lawn mower

- ▶ switch the lawn mower off and remove the battery.
- ▶ Clean the lawn mower with a damp cloth.
- ▶ Clean the discharge chute with a soft brush or a damp cloth.
- ▶ Remove any foreign bodies from the battery compartment and clean the battery compartment with a damp cloth.
- ▶ Clean the electrical contacts in the battery compartment with a paintbrush or a soft brush.
- ▶ Clean the ventilation slots with a paintbrush.
- ▶ Upend the lawn mower.
- ▶ Clean the area around the blade and the blade with a stick, a soft brush or a damp cloth.

NOTICE

- Using a high-pressure cleaner or a water jet for cleaning can damage the machine.
 - ▶ Do not clean the machine with a high-pressure cleaner or a water jet.

16.3 Cleaning the Battery

- ▶ Clean the battery with a damp cloth.

16.4 Cleaning the Charger

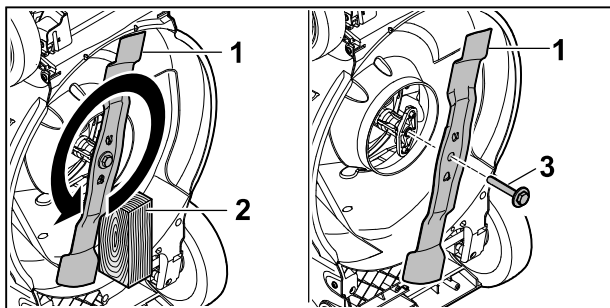
- ▶ Disconnect the mains plug from the power supply.
- ▶ Clean the charger with a damp cloth.
- ▶ Clean vents with a paintbrush.
- ▶ Clean the charger's electrical contacts with a paintbrush or a soft brush.

17 Maintenance

17.1 Removing and Attaching the Blade

17.1.1 Removing the Blade

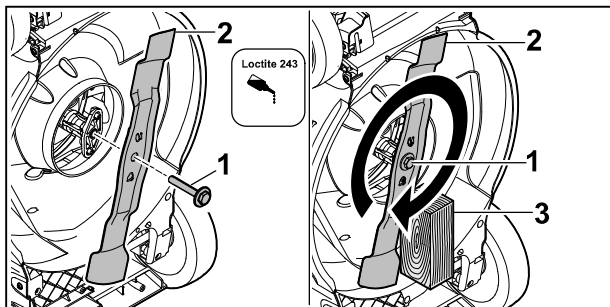
- ▶ Switch the lawn mower off and remove the battery.
- ▶ Upend the lawn mower.



- ▶ Block blade (1) using a piece of wood (2).
- ▶ Unscrew the screw with washer (3) in the direction of the arrow and remove.
- ▶ Remove blade (1).
- ▶ Dispose of the screw with washer (3). Use a new screw with washer to fit the blade (1).

17.1.2 Attaching the Blade

- ▶ Switch the lawn mower off and remove the battery.
- ▶ Upend the lawn mower.



- ▶ Apply Loctite 243 threadlocker to the thread of the screw with washer (1).
- ▶ Position blade (2) so that the raised areas on the contact area engage in the notches.
- ▶ Screw in the screw with washer (1).
- ▶ Block blade (2) using a piece of wood (3).
- ▶ Tighten screw with washer (1) to 60 Nm.

17.2 Sharpening and Balancing the Blade


Sharpening and balancing the blade correctly requires a lot of practice.

STIHL recommends having the blade sharpened and balanced by a STIHL specialist dealer.

The current addresses of the specialist dealers can be found under the respective STIHL country representative at www.stihl.com.

WARNING

- The cutting edges of the blade are sharp. This may result in the user cutting themselves.
 - ▶ Wear protective gloves.

- ▶ Switch the lawn mower off and remove the battery.
- ▶ Upend the lawn mower.
- ▶ Remove the blade.
- ▶ Sharpen the blade. Observe the sharpening angle and cool the blade,  20.2. Bluing of the blade during sharpening is not permitted.
- ▶ Attach the blade.
- ▶ If anything is unclear: consult a STIHL specialist dealer.

18 Repairing

18.1 Repairing the Lawn Mower

The user should not repair the lawn mower or blade themselves.

- ▶ If the lawn mower or blade is damaged: do not use the lawn mower or blade and consult a STIHL specialist dealer.
- ▶ If warning signs are illegible or damaged: have the warning signs replaced by a STIHL specialist dealer.


18.2 Servicing and repairing the charger

The charger does not need servicing and it cannot be repaired.

- ▶ If the charger has a malfunction or is damaged: Replace the charger.
- ▶ If the connecting cable has a malfunction or is damaged: Do not use the charger and have the connecting cable replaced by a STIHL servicing dealer.

19 Troubleshooting

19.1 Remediating Lawn Mower or Battery Faults

Fault	LEDs on the battery	Cause	Remedy
The lawn mower does not start when switched on.	1 LED flashes green.	The battery charge state is too low.	<ul style="list-style-type: none"> ▶ Charge the battery as described in the instruction manual for STIHL AL 101, 301, 501 chargers.
	1 LED illuminates red.	The battery is too warm or too cold.	<ul style="list-style-type: none"> ▶ Remove the battery. ▶ Allow the battery to cool down or warm up.
	3 LEDs flashing red.	There is a fault in the lawn mower.	<ul style="list-style-type: none"> ▶ Remove the battery. ▶ Clean the electrical contacts in the battery compartment. ▶ Fit the battery. ▶ Switch the lawn mower on. ▶ If 3 LEDs still flash red: do not use the lawn mower and consult a STIHL specialist dealer.
	3 LEDs illuminate red.	The lawn mower is too warm.	<ul style="list-style-type: none"> ▶ Remove the battery. ▶ Allow the lawn mower to cool down.
	4 LEDs flash red.	There is a fault in the battery.	<ul style="list-style-type: none"> ▶ Remove the battery and fit it again. ▶ Switch the lawn mower on. ▶ If 4 LEDs still flash red: do not use the battery and consult a STIHL specialist dealer.
		The electrical connection between the lawn mower and battery has been interrupted.	<ul style="list-style-type: none"> ▶ Remove the battery. ▶ Clean the electrical contacts in the battery compartment. ▶ Fit the battery.
		The lawn mower or battery is damp.	<ul style="list-style-type: none"> ▶ Remove the battery. ▶ Clean the lawn mower. ▶ Allow the lawn mower or battery to dry,  20.7.
		The resistance at the blade is too great.	<ul style="list-style-type: none"> ▶ If working with self-propulsion engaged: disengage self-propulsion. ▶ If working with self-propulsion disengaged: go forwards slower. ▶ Set a higher cutting height. ▶ Switch the lawn mower on in lower grass.
		The area around the blade is blocked.	<ul style="list-style-type: none"> ▶ Clean the lawn mower.
Self-propulsion is not working.		There is a fault in the self-propulsion mechanism.	<ul style="list-style-type: none"> ▶ Consult a STIHL specialist dealer.
The lawn mower stops during operation.	3 LEDs illuminate red.	The lawn mower is too warm.	<ul style="list-style-type: none"> ▶ Remove the battery. ▶ Allow the lawn mower to cool down. ▶ Clean the lawn mower. ▶ Do not switch the lawn mower on too frequently within a short time. ▶ If working with self-propulsion engaged: disengage self-propulsion. ▶ If working with self-propulsion disengaged: go forwards slower. ▶ Set a higher cutting height. ▶ Mow shorter grass.

Fault	LEDs on the battery	Cause	Remedy
		The blade is blocked.	<ul style="list-style-type: none"> ▶ Remove the battery. ▶ Clean the lawn mower.
		There is an electrical fault.	<ul style="list-style-type: none"> ▶ Remove the battery and fit it again. ▶ Switch the lawn mower on.
The lawn mower vibrates excessively during operation.		The blade fastening screw is loose.	<ul style="list-style-type: none"> ▶ Tighten the screw.
		The blade is not correctly balanced.	<ul style="list-style-type: none"> ▶ Sharpen and balance the blade.
The lawn mower operating time is too short.		The battery is not fully charged.	<ul style="list-style-type: none"> ▶ Charge the battery fully as described in the instruction manual for STIHL AL 101, 301, 501 chargers.
		The battery service life has been exceeded.	<ul style="list-style-type: none"> ▶ Replace the battery.
		The area around the blade is blocked.	<ul style="list-style-type: none"> ▶ Clean the lawn mower.
		The blade is blunt or worn.	<ul style="list-style-type: none"> ▶ Sharpen and balance the blade.
		The resistance at the blade is too great.	<ul style="list-style-type: none"> ▶ If working with self-propulsion engaged: disengage self-propulsion. ▶ If working with self-propulsion disengaged: go forwards slower. ▶ Set a higher cutting height. ▶ Mow shorter grass.
The battery gets stuck when fitting it into the battery compartment.		The guides or electrical contacts in the battery compartment are dirty.	<ul style="list-style-type: none"> ▶ Clean the lawn mower.
Charging fails to start after fitting the battery into the charger.	1 LED illuminates red.	The battery is too warm or too cold.	<ul style="list-style-type: none"> ▶ Remove the battery. ▶ Allow the battery to cool down or warm up.
The grass has not been cut cleanly or the lawn is yellow.		The blade is blunt or worn.	<ul style="list-style-type: none"> ▶ Sharpen and balance the blade.
		The resistance at the blade is too great.	<ul style="list-style-type: none"> ▶ If working with self-propulsion engaged: disengage self-propulsion. ▶ If working with self-propulsion disengaged: go forwards slower. ▶ Set a higher cutting height. ▶ Mow shorter grass.

19.2 Troubleshooting Charger

If the battery is not being charged and the LED on the charger flashes red: There is no contact between the charger and battery.

- ▶ Remove the battery.
- ▶ Clean contacts on charger.
- ▶ Fit the battery.

- ▶ If the battery is still not being charged and the LED on the charger flashes red: Do not use the charger and contact your STIHL servicing dealer.
Malfunction in charger.

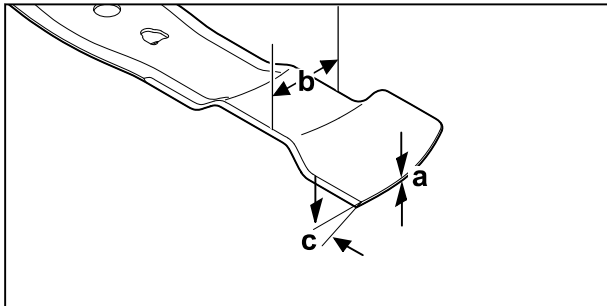
20 Specifications

20.1 Lawn mower STIHL RMA 248.3 T, RMA 253.3 T

- Permissible battery: STIHL AK
- Weight with grass catcher box and without battery:
 - RMA 248.3 T: 29 kg
 - RMA 253.3 T: 31 kg
- Weight (m) with Grass catcher box and batteries STIHL AK 30 S:
 - RMA 248.3 T: 32 kg
 - RMA 253.3 T: 33 kg
- Maximum grass catcher box capacity:
 - RMA 248.3 T: 52 l
 - RMA 253.3 T: 55 l
- cutting width:
 - RMA 248.3 T: 46 cm
 - RMA 253.3 T: 51 cm
- Speed (n):
 - RMA 248.3 T: 3000 rpm
 - RMA 253.3 T: 2700 rpm
- Electrical type of protection: IPX4

For information on battery life, see www.stihl.com/battery-life.

20.2 Cutting blade



- Minimum thickness a: 1.6 mm
- Minimum width b: 55 mm
- Sharpening angle c: 30°

20.3 STIHL AK Battery

- Battery technology: lithium-ion
- Voltage: 36 V
- Capacity in Ah: see rating label
- Energy content in Wh: see rating label
- Weight in kg: See rating label

20.4 STIHL AL 101 Charger

- Rated voltage: See rating plate
- Frequency: see rating plate
- Rated power: see rating plate
- Charging current: See rating plate

For charging times, see www.stihl.com/charging-times.

20.5 Extension Cords

If an extension cord is used, the cross sectional area of its conductors must meet the following minimum requirements – depending on the line voltage and length of the extension cord:

If rated voltage on the rating label is 220V to 240V:

- Cord length up to 20 m: AWG 15 / 1.5 mm²
- Cord length 20 m up to 50 m: AWG 13 / 2.5 mm²

If rated voltage on the rating label is 100V to 127V:

- Cord length up to 10 m: AWG 14 / 2.0 mm²
- Cord length 10 m up to 30 m: AWG 12 / 3.5 mm²

20.6 Temperature Limits



WARNING

- The battery is not protected against all ambient conditions. If exposed to certain ambient conditions, the battery may catch fire or explode. This may result in serious injury to people and damage to property.
 - ▶ Do not charge or use the battery below -20 °C or above +50 °C.
 - ▶ Do not store the battery below -20 °C or above +70 °C.
 - ▶ Do not use the lawn mower below 0 °C or above + 50 °C.
 - ▶ Do not store the lawn mower below - 20 °C or above + 70 °C.

20.7 Recommended Temperature Ranges

For optimum performance of the lawn mower, the battery and the charger, observe the following temperature ranges:

- Lawn mower:
 - Usage: 0 °C to +40 °C
 - Storage: -20 °C to +50 °C
- Battery and charger:
 - Charging: +5 °C to +40 °C
 - Use: -10 °C to +40 °C
 - Storage: -20 °C to +50 °C

If the battery is charged, used or stored outside the recommended temperature ranges, performance may be reduced.

If the battery is wet or damp, allow it to dry for at least 48 hours at above +15 °C and below +50 °C and at less than 70% humidity. Higher humidity may increase the drying time.

20.8 Sound Values and Vibration Values

RMA 248.3 T

- Sound pressure level L_{pA} measured according to EN IEC 62841-4-3: 79 dB(A)
- Uncertainty K_{pA} : 2 dB(A)
- Guaranteed sound power level L_{WAAd} measured in accordance with 2000/14/EC: 95 dB(A)

Specified vibration characteristic in accordance with EN 12096:

- Vibration value a_h measured in accordance with EN IEC 62841-4-3, handlebar: 1.80 m/s²
- Uncertainty K_h : 0.90 m/s²

RMA 253.3 T

- Sound pressure level L_{pA} measured according to EN IEC 62841-4-3: 79 dB(A)
- Uncertainty K_{pA} : 2 dB(A)
- Guaranteed sound power level L_{WAAd} measured in accordance with 2000/14/EC: 94 dB(A)

Specified vibration characteristic in accordance with EN 12096:

- Vibration value a_h measured in accordance with EN IEC 62841-4-3, handlebar: 1.80 m/s²
- Uncertainty K_h : 0.90 m/s²

The specified sound and vibration values were measured according to a standardised test procedure and can be used to compare electrical appliances. The actual sound and vibration values that occur may deviate from the indicated values, depending on the type of application. The specified sound and vibration values can be used for an initial assessment of the sound and vibration exposure. The actual sound and vibration load must be assessed. Times during which the electrical appliance is switched off, along with times during which it is switched on but running without load, can also be taken into consideration.

For information on compliance with Employers' Vibration Directive 2002/44/EC, see www.stihl.com/vib.


20.9 REACH

REACH is an EC regulation and stands for the Registration, Evaluation, Authorisation and Restriction of Chemical substances.

For information on compliance with the REACH regulation see www.stihl.com/reach.

21 Spare Parts and Accessories

21.1 Spare parts and accessories

STIHL  These symbols indicate original STIHL spare parts and original STIHL accessories.

STIHL recommends the use of original STIHL spare parts and accessories.

Despite ongoing market observation, STIHL is unable to judge the reliability, safety and suitability of other manufacturers' spare parts and accessories; accordingly, STIHL cannot warrant for the use of those parts.

Original STIHL spare parts and original STIHL accessories are available from STIHL dealers.

21.2 Essential Spare Parts

- Blade:
 - RMA 248.3 T: WA41 702 0105
 - RMA 253.3 T: WA42 702 0100
- Blade fastening screw with washer: 0000 951 3505

22 Disposal

22.1 Disposing of lawn mower, battery and charger

Information on disposal is available from your local authority or from a STIHL specialist dealer.

Improper disposal may be harmful to health and pollute the environment.

- ▶ Take STIHL products including packaging to a suitable collection point for recycling in accordance with local regulations.
- ▶ Do not dispose of the product with domestic waste.

23 EC Declaration of Conformity

23.1 Lawn Mower STIHL RMA 248.3 T, RMA 253.3 T

STIHL Tirol GmbH
Hans Peter Stihl-Strasse 5
6336 Langkampfen

Austria

declares under our sole responsibility that

- design: cordless lawn mower
- manufacturer's brand: STIHL
- type: RMA 248.3 T, RMA 253.3 T
- cutting width:
 - RMA 248.3 T: 46 cm
 - RMA 253.3 T: 51 cm
- serial number:
 - RMA 248.3 T: WA21
 - RMA 253.3 T: WA22

complies with the relevant provisions of Directives 2000/14/EC, 2006/42/EC, 2014/30/EU and 2011/65/EU and has been developed and manufactured in accordance with the versions of the following standards valid on the date of manufacture: EN 62841-1, EN IEC 62841-4-3, EN 55014-1 and EN 55014-2.

Notified body involved:

TÜV Rheinland LGA Products GmbH
Tillystrasse 2
90431 Nuremberg, Germany

The measured and guaranteed sound power levels were determined in accordance with Directive 2000/14/EC, Appendix VIII.

- Measured sound power level:
 - RMA 248.3 T: 93.2 dB(A)
 - RMA 253.3 T: 92.4 dB(A)
- Guaranteed sound power level:
 - RMA 248.3 T: 95 dB(A)
 - RMA 253.3 T: 94 dB(A)

The technical documents are stored at STIHL Tirol GmbH.

The year of manufacture and machine number are indicated on the lawn mower.

Langkampfen, 11.12.2023

STIHL Tirol GmbH

p.p. 

Matthias Fleischer, Head of Product Development

p.p. 

Sven Zimmermann, Head of Quality Department

24 UKCA Declaration of Conformity

24.1 Lawn Mower STIHL RMA 248.3 T, RMA 253.3 T

STIHL Tirol GmbH

Hans Peter Stihl-Strasse 5
6336 Langkampfen

Austria

declares under our sole responsibility that

- design: cordless lawn mower
- manufacturer's brand: STIHL
- type: RMA 248.3 T, RMA 253.3 T
- cutting width:
 - RMA 248.3 T: 46 cm
 - RMA 253.3 T: 51 cm
- serial number:
 - RMA 248.3 T: WA21
 - RMA 253.3 T: WA22

complies with the relevant provisions of the UK regulations Noise Emission in the Environment by Equipment for use Outdoors Regulations 2001, Supply of Machinery (Safety) Regulations 2008, Electromagnetic Compatibility Regulations 2016 and The Restriction of the Use of Certain Hazardous Substances in Electrical and Electronic Equipment Regulations 2012 and has been developed and manufactured in accordance with the versions of the following standards valid on the date of manufacture: EN 62841-1, EN IEC 62841-4-3, EN 55014-1 and EN 55014-2.

Notified body involved:

TUV Rheinland UK Ltd
1011 Stratford Road
Solihull, B90 4BN

The measured and guaranteed sound power levels were determined in accordance with the UK regulation Noise Emission in the Environment by Equipment for use Outdoors Regulations 2001, Schedule 11.

- Measured sound power level:
 - RMA 248.3 T: 93.2 dB(A)
 - RMA 253.3 T: 92.4 dB(A)
- Guaranteed sound power level:
 - RMA 248.3 T: 95 dB(A)
 - RMA 253.3 T: 94 dB(A)

The technical documents are stored at STIHL Tirol GmbH.

The year of manufacture and machine number are indicated on the lawn mower.

Langkampfen, 11.12.2023

STIHL Tirol GmbH

p.p. 

Matthias Fleischer, Head of Product Development

p.p. 

Sven Zimmermann, Head of Quality Department

25 Addresses

www.stihl.com

26 General and Product-Specific Safety Instructions

26.1 Introduction

This section reproduces the general and product-specific safety instructions prescribed and pre-formulated in the product standard.

The safety information for avoiding electric shock given under "Electrical Safety" is not applicable to STIHL battery products, with the exception of point c).



WARNING

- **Read all safety warnings, instructions, illustrations and specifications provided with this lawn mower.** Failure to follow all instructions listed below may result in electric shock, fire and/or serious injury. **Save all warnings and instructions for future reference.**

26.2 Work Area Safety

- a) **Keep work area clean and well lit.** Cluttered or dark areas invite accidents.
- b) **Do not operate lawn mowers in explosive atmospheres, such as in the presence of flammable liquids, gases or dust.** Lawn mowers create sparks which may ignite the dust or fumes.
- c) **Keep children and bystanders away while operating a lawn mower.** Distractions can cause you to lose control.

26.3 Electrical Safety

- a) **Lawn mower plugs must match the outlet. Never modify the plug in any way. Do not use any adapter plugs with earthed (grounded) lawn mowers.** Unmodified plugs and matching outlets will reduce risk of electric shock.
- b) **Avoid body contact with earthed or grounded surfaces, such as pipes, radiators, ranges and refrigerators.** There is an increased risk of electric shock if your body is earthed or grounded.
- c) **Do not operate the lawn mower when it is raining or in wet conditions.** This may increase the risk of electric shock.
- d) **Do not abuse the electric cable. Never use the electric cable for carrying, pulling or unplugging the lawn mower. Keep the electric cable away from heat, oil, sharp edges or moving parts.** Damaged or entangled electric cables increase the risk of electric shock.
- e) **When operating a lawn mower outdoors, use an extension cable suitable for outdoor use.** Use of a cable suitable for outdoor use reduces the risk of electric shock.
- f) **If operating a lawn mower in a damp location is unavoidable, use a residual current device (RCD) protected supply.** Use of an RCD reduces the risk of electric shock.

26.4 Personal Safety

- a) **Stay alert, watch what you are doing and use common sense when operating a lawn mower. Do not use a lawn mower while you are tired or under the influence of drugs, alcohol or medication.** A moment of inattention while operating lawn mowers may result in serious personal injury.
- b) **Use personal protective equipment. Always wear eye protection.** Protective equipment such as a dust mask, non-skid safety shoes, hard hat or hearing protection used for appropriate conditions will reduce personal injuries.
- c) **Prevent unintentional starting. Ensure the switch is in the off-position before connecting to power source and/or battery pack, picking up or carrying the lawn mower.** Carrying lawn mowers with your finger on the switch or energising lawn mowers that have the switch on invites accidents.
- d) **Remove any adjusting key or wrench before turning the lawn mower on.** A wrench or a

key left attached to a rotating part of the lawn mower may result in personal injury.

- e) **Do not overreach. Keep proper footing and balance at all times.** This enables better control of the lawn mower in unexpected situations.
- f) **Dress properly. Do not wear loose clothing or jewellery. Keep your hair and clothing away from moving parts.** Loose clothes, jewellery or long hair can be caught in moving parts.
- g) **If devices are provided for the connection of dust extraction and collection facilities, ensure these are connected and properly used.** Use of dust collection can reduce dust-related hazards.
- h) **Do not let familiarity gained from frequent use of lawn mowers allow you to become complacent and ignore lawn mower safety principles.** A careless action can cause severe injury within a fraction of a second.

26.5 Lawn Mower Use and Care

- a) **Do not force the lawn mower. Use the correct lawn mower for your application.** The correct lawn mower will do the job better and safer at the rate for which it was designed.
- b) **Do not use the lawn mower if the switch does not turn it on and off.** Any lawn mower that cannot be controlled with the switch is dangerous and must be repaired.
- c) **Disconnect the plug from the power source and/or remove the battery pack, if detachable, from the lawn mower before making any adjustments, changing accessories or storing lawn mowers.** Such preventive safety measures reduce the risk of starting the lawn mower accidentally.
- d) **Store idle lawn mowers out of the reach of children and do not allow persons unfamiliar with the lawn mower or these instructions to operate the lawn mower.** Lawn mowers are dangerous in the hands of untrained users.
- e) **Maintain lawn mowers and accessories. Check for misalignment or binding of moving parts, breakage of parts and any other condition that may affect the lawn mower's operation. If damaged, have the lawn mower repaired before use.** Many accidents are caused by poorly maintained lawn mowers.
- f) **Keep cutting tools sharp and clean.** Properly maintained cutting tools with sharp cutting edges are less likely to bind and are easier to control.

- g) **Use the lawn mower, accessories and tool bits etc. in accordance with these instructions, taking into account the working conditions and the work to be performed.** Use of the lawn mower for operations different from those intended could result in a hazardous situation.
- h) **Keep handles and grasping surfaces dry, clean and free from oil and grease.** Slippery handles and grasping surfaces do not allow for safe handling and control of the lawn mower in unexpected situations.

26.6 Battery Lawn Mower Use and Care

- a) **Recharge only with the charger specified by the manufacturer.** A charger that is suitable for one type of battery pack may create a risk of fire when used with another battery pack.
- b) **Use lawn mowers only with specifically designated battery packs.** Use of any other battery packs may create a risk of injury and fire.
- c) **When battery pack is not in use, keep it away from other metal objects, like paper clips, coins, keys, nails, screws or other small metal objects, that can make a connection from one terminal to another.** Shorting the battery terminals together may cause burns or a fire.
- d) **Under abusive conditions, liquid may be ejected from the battery; avoid contact. If contact accidentally occurs, flush with water. If liquid contacts eyes, additionally seek medical help.** Liquid ejected from the battery may cause irritation or burns.
- e) **Do not use a battery pack or lawn mower that is damaged or modified.** Damaged or modified batteries may exhibit unpredictable behaviour resulting in fire, explosion or risk of injury.
- f) **Do not expose a battery pack or lawn mower to fire or excessive temperature.** Exposure to fire or temperature above 130 °C may cause explosion.
- g) **Follow all charging instructions and do not charge the battery pack or lawn mower outside the temperature range specified in the instructions.** Charging improperly or at temperatures outside the specified range may damage the battery and increase the risk of fire.

26.7 Service

- a) **Have your lawn mower serviced by a qualified repair person using only identical replacement parts.** This will ensure that the safety of the lawn mower is maintained.
- b) **Never service damaged battery packs.** Service of battery packs should only be performed by the manufacturer or authorised service providers.

26.8 Safety Instructions for Battery Lawn Mowers

- a) **Do not use the lawn mower in bad weather conditions, especially when there is a risk of lightning.** This decreases the risk of being struck by lightning.
- b) **Thoroughly inspect the area for wildlife where the lawn mower is to be used.** Wildlife may be injured by the lawn mower during operation.
- c) **Thoroughly inspect the area where the lawn mower is to be used and remove all stones, sticks, wires, bones, and other foreign objects.** Thrown objects can cause personal injury.
- d) **Before using the lawn mower, always visually inspect to see that the blade and the blade assembly are not worn or damaged.** Worn or damaged parts increase the risk of injury.
- e) **Check the grass catcher frequently for wear or deterioration.** A worn or damaged grass catcher may increase the risk of personal injury.
- f) **Keep guards in place. Guards must be in working order and be properly mounted.** A guard that is loose, damaged, or is not functioning correctly may result in personal injury.
- g) **Keep all cooling air inlets clear of debris.** Blocked air inlets and debris may result in overheating or risk of fire.
- h) **While operating the lawn mower, always wear non-slip and protective footwear. Do not operate the lawn mower when barefoot or wearing open sandals.** This reduces the chance of injury to the feet from contact with the moving blade.
- i) **While operating the lawn mower, always wear long trousers.** Exposed skin increases the likelihood of injury from thrown objects.
- j) **Do not operate the lawn mower in wet grass. Walk, never run.** This reduces the risk of slip-

ping and falling which may result in personal injury.

- k) **Do not operate the lawn mower on excessively steep slopes.** This reduces the risk of loss of control, slipping and falling which may result in personal injury.
- l) **When working on slopes, always be sure of your footing, always work across the face of slopes, never up or down and exercise extreme caution when changing direction.** This reduces the risk of loss of control, slipping and falling which may result in personal injury.
- m) **Use extreme caution when reversing or pulling the lawn mower towards you. Always be aware of your surroundings.** This reduces the risk of tripping during operation.
- n) **Do not touch blades and other hazardous moving parts while they are still in motion.** This reduces the risk of injury from moving parts.
- o) **When clearing jammed material or cleaning the lawn mower, make sure all power switches are off and the battery pack is disconnected.** Unexpected operation of the lawn mower may result in serious personal injury.

Table des matières

1	Préface.....	60
2	Informations concernant la présente Notice d'emploi.....	60
3	Vue d'ensemble.....	61
4	Prescriptions de sécurité.....	62
5	Préparation de la tondeuse.....	71
6	Recharge de la batterie et DEL.....	71
7	Assemblage de la tondeuse à gazon.....	72
8	Réglage de la tondeuse pour l'utilisateur..	74
9	Introduction et extraction de la batterie.....	74
10	Mise en marche et arrêt de la tondeuse à gazon.....	75
11	Contrôle de la tondeuse.....	76
12	Utilisation de la tondeuse.....	77
13	Après le travail.....	78
14	Transport.....	78
15	Rangement.....	79
16	Nettoyage.....	80
17	Maintenance.....	80
18	Réparation.....	81
19	Dépannage.....	81
20	Caractéristiques techniques.....	84