



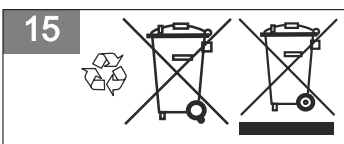
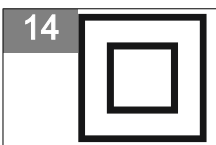
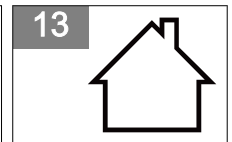
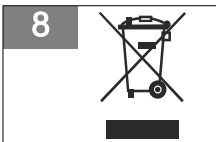
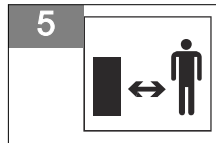
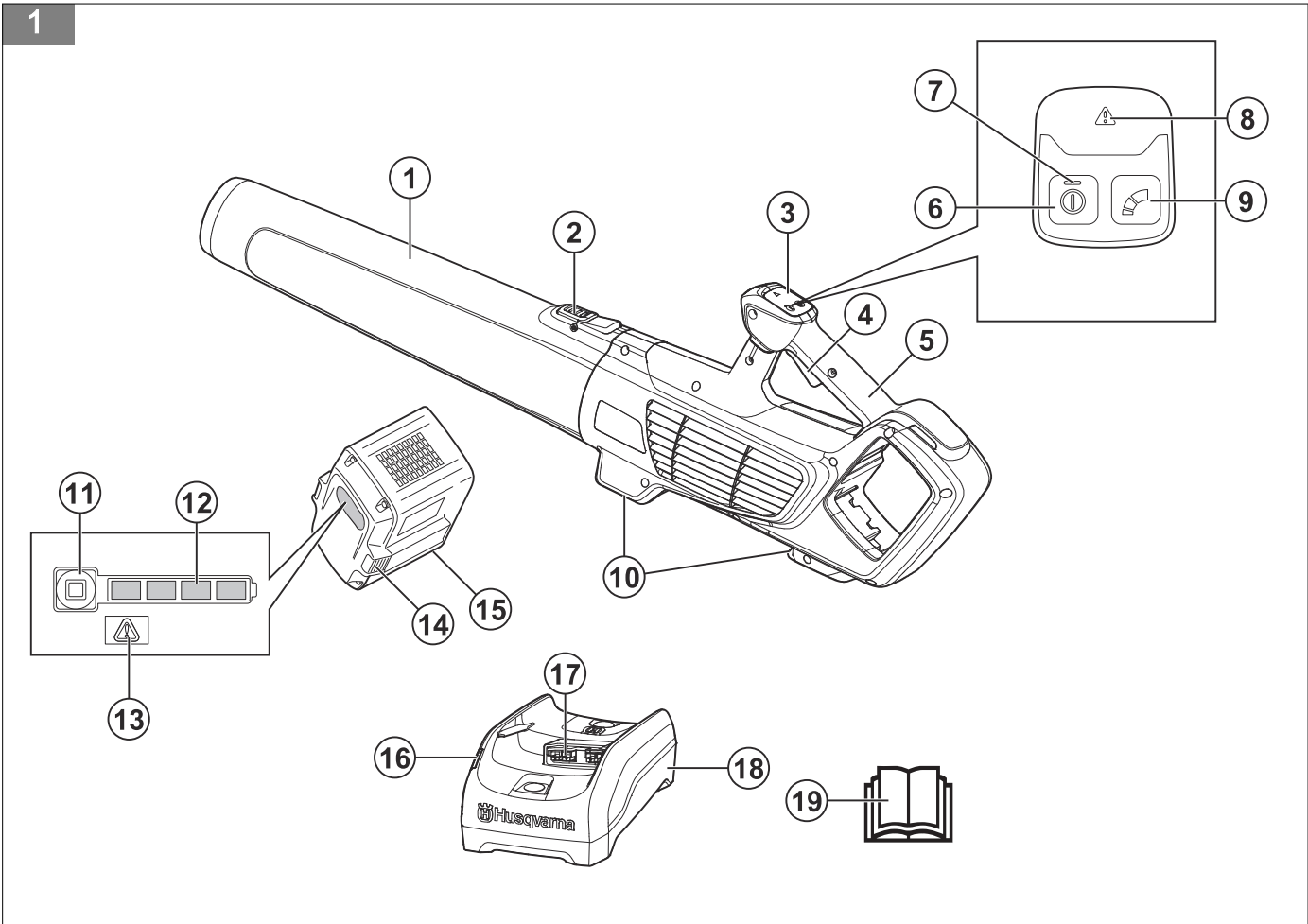
Husqvarna®



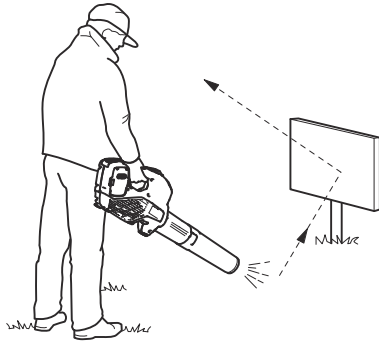
122iB



EN	Operator's manual	6-18
BG	Ръководство за експлоатация	18-34
CS	Návod k použití	34-47
DA	Brugsanvisning	47-60
DE	Bedienungsanweisung	60-76
EL	Οδηγίες χρήσης	76-91
ES	Manual de usuario	91-105
ET	Kasutusjuhend	105-118
FI	Käyttöohje	118-131
FR	Manuel d'utilisation	131-146
HR	Priručnik za korištenje	146-159
HU	Használati utasítás	159-173
IT	Manuale dell'operatore	173-188
JA	取扱説明書	188-201
LT	Operatoriaus vadovas	201-215
LV	Lietošanas pamācība	215-229
NL	Gebruiksaanwijzing	229-244
NO	Bruksanvisning	244-257
PL	Instrukcja obsługi	257-272
PT	Manual do utilizador	272-287
RO	Instrucțiuni de utilizare	287-301
RU	Руководство по эксплуатации	301-317
SK	Návod na obsluhu	317-331
SL	Navodila za uporabo	331-344
SR	Priručnik za rukovaoca	344-357
SV	Bruksanvisning	357-370
TR	Kullanım kılavuzu	370-383
UK	Посібник користувача	383-398



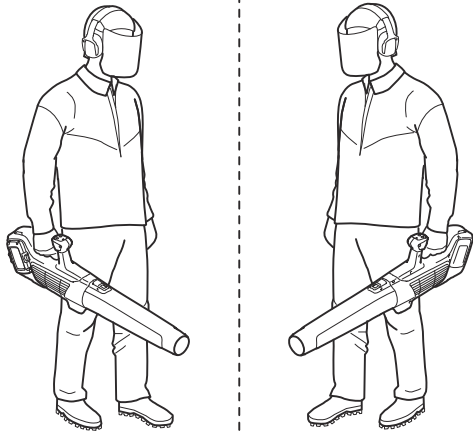
16



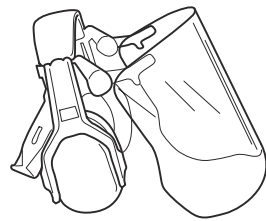
17



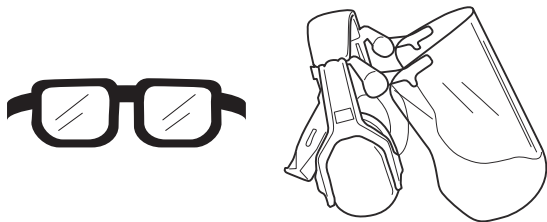
18



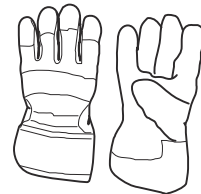
19



20



21



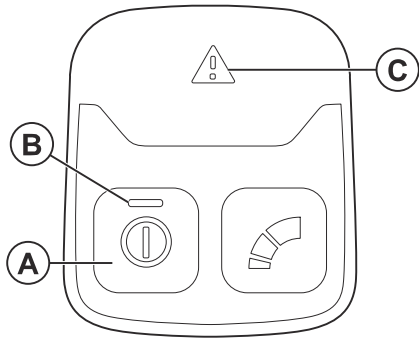
22



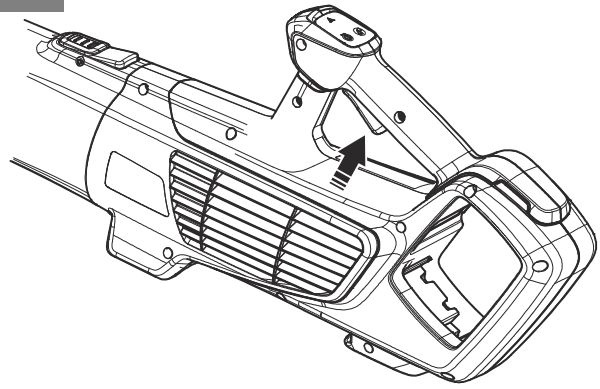
23



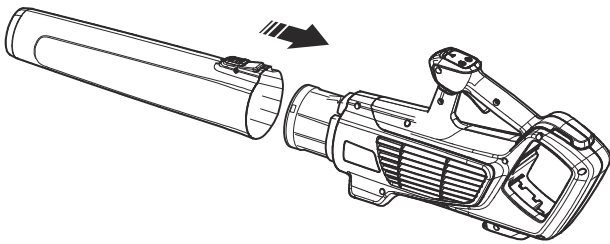
24



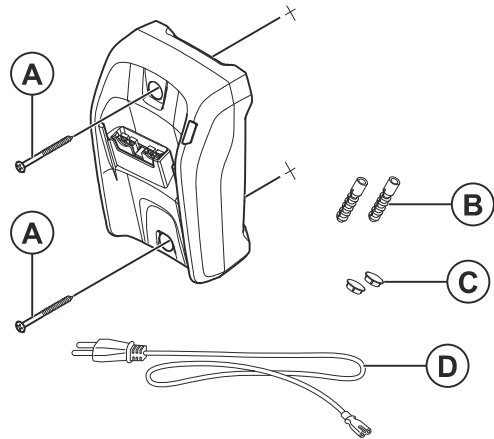
25



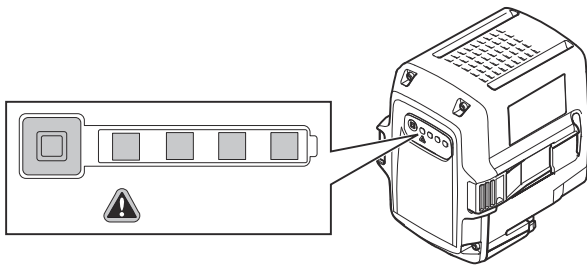
26



27



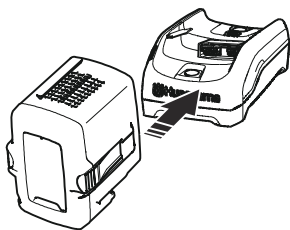
28



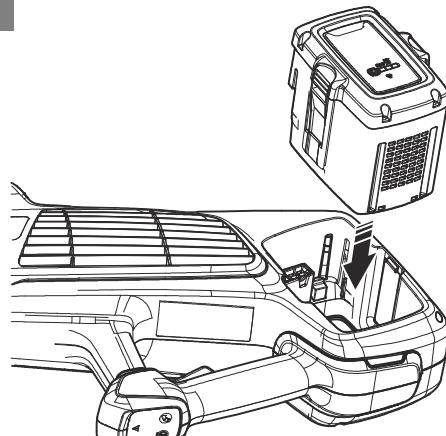
29



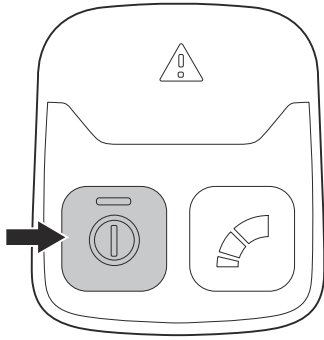
30



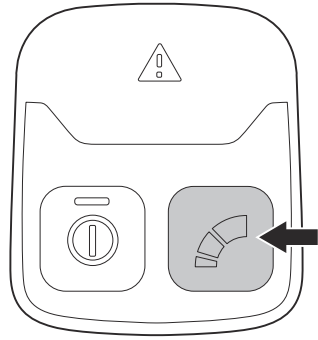
31



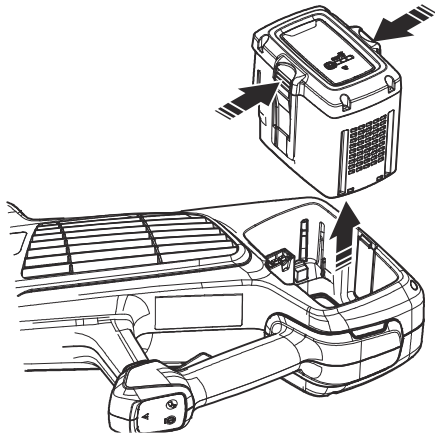
32



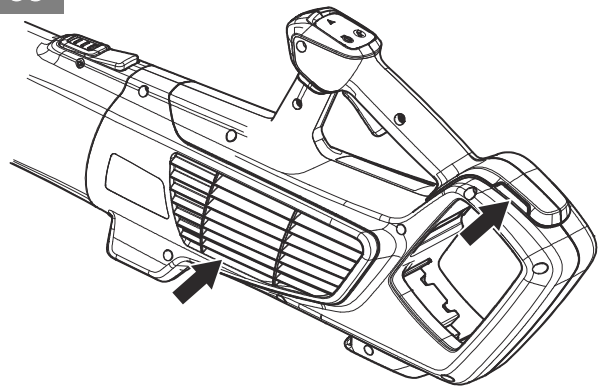
33



34



35



Contents

Introduction.....	6	Troubleshooting.....	15
Safety.....	7	Transportation, storage and disposal.....	16
Assembly.....	12	Technical data.....	16
Operation.....	12	Declaration of Conformity.....	18
Maintenance.....	14		

Introduction

Product overview

(Fig. 1)

1. Blower nozzle
2. Release button for the blower nozzle
3. Keypad
4. Power trigger
5. Handle
6. Power on/off button
7. Power indicator
8. Warning indicator error LED
9. Speed control button
10. Supports
11. Battery indicator button
12. Battery status
13. Battery warning indicator
14. Battery release button
15. Battery
16. Power on and warning indicator
17. Connector
18. Battery charger 40-C80
19. Operator's manual

(Fig. 4)

Use approved eye protection.

(Fig. 5)

WARNING - Keep bystanders away.

(Fig. 6)

Do not expose to rain.

(Fig. 7)

Noise emission to the environment label as per EU directives and regulations, and New South Wales legislation "Protection of the Environment Operations (Noise Control) Regulation 2017". The guaranteed sound power level of the product is specified in *Technical data on page 16* and on the label.

(Fig. 8)

The product or package of the product is not domestic waste. Recycle it at a recycling station for electrical and electronic equipment.

(Fig. 9)

The product complies with the applicable EC directives.

(Fig. 10)

Rated voltage, V

(Fig. 11)

Direct current.

yyyy wwxxxx

The rating plate shows serial number. **yyyy** is the production year, **ww** is the production week and **xxxx** is the sequential number.

Product description

The Husqvarna 122iB is a blower model with an electric motor.

Intended use

This product is a reliable and easy-to use handheld blower for all blowing and general clean up tasks around the home and garden.

Symbols on the product

(Fig. 2)

WARNING: This product can be dangerous and cause serious injury or death to the operator or others. Be careful and use the product correctly.

(Fig. 3)

Read the operator's manual carefully and make sure that you understand the instructions before you use the product.

Note: Other symbols/decals on the product refer to special certification requirements for certain markets.

Symbols on the battery and/or on the battery charger

(Fig. 12)

Fail-safe transformer.

(Fig. 13) Use and keep the battery charger indoors only.

(Fig. 14) Double insulation.

(Fig. 15)

Recycle this product at a recycling station for electrical and electronic equipment. (Applies to Europe only)

- the product is incorrectly repaired.
- the product is repaired with parts that are not from the manufacturer or not approved by the manufacturer.
- the product has an accessory that is not from the manufacturer or not approved by the manufacturer.
- the product is not repaired at an approved service center or by an approved authority.

Manufacturer

Husqvarna AB

Drottninggatan 2, SE-561 82 Huskvarna

Product damage

We are not responsible for damages to our product if:

Safety

Safety definitions

Warnings, cautions and notes are used to point out specially important parts of the manual.



WARNING: Used if there is a risk of injury or death for the operator or bystanders if the instructions in the manual are not obeyed.



CAUTION: Used if there is a risk of damage to the product, other materials or the adjacent area if the instructions in the manual are not obeyed.

Note: Used to give more information that is necessary in a given situation.

General machine safety warnings



WARNING: Read all safety warnings, instructions, illustrations and specifications provided with this machine. *Failure to follow all instructions listed below may result in electric shock, fire and/or serious injury.*

Save all warnings and instructions for future reference.

Note: *The term "machine" in the warnings refers to your mains-operated (corded) machine or battery-operated (cordless) machine.*

Work area safety

- **Keep work area clean and well lit.** Cluttered or dark areas invite accidents.
- **Do not operate machine in explosive atmospheres, such as in the presence of flammable liquids, gases**

or dust. Machines create sparks which may ignite the dust or fumes.

- **Keep children and bystanders away while operating a machine.** Distractions can cause you to lose control.

Electrical safety

- **Machine plugs must match the outlet. Never modify the plug in any way. Do not use any adapter plugs with earthed (grounded) machines.** Unmodified plugs and matching outlets will reduce risk of electric shock.
- **Avoid body contact with earthed or grounded surfaces, such as pipes, radiators, ranges and refrigerators.** There is an increased risk of electric shock if your body is earthed or grounded.
- **Do not expose machines to rain or wet conditions.** Water entering a machine will increase the risk of electric shock.
- **Do not abuse the cord. Never use the cord for carrying, pulling or unplugging the machine. Keep cord away from heat, oil, sharp edges or moving parts.** Damaged or entangled cords increase the risk of electric shock.
- **When operating a machine outdoors, use an extension cord suitable for outdoor use.** Use of a cord suitable for outdoor use reduces the risk of electric shock.
- **If operating a machine in a damp location is unavoidable, use a residual current device (RCD) protected supply.** Use of a RCD reduces the risk of electric shock.

Personal safety

- **Stay alert, watch what you are doing and use common sense when operating a machine. Do not use a machine while you are tired or under the influence of drugs, alcohol or medication.** A moment of inattention while operating machines may result in serious personal injury.

- **Use personal protective equipment. Always wear eye protection.** Protective equipment such as dust mask, non-skid safety shoes, hard hat or hearing protection used for appropriate conditions will reduce personal injuries.
- **Prevent unintentional starting. Ensure the switch is in the OFF-position before connecting to a power source and/or battery pack, picking up or carrying the machine.** Carrying machines with your finger on the switch or energising machines that have the switch on invites accidents.
- **Remove any adjusting key or wrench before turning the machine on.** A wrench or a key left attached to a rotating part of the machine may result in personal injury.
- **Do not overreach. Keep proper footing and balance at all times.** This enables better control of the machine in unexpected situations.
- **Dress properly. Do not wear loose clothing or jewellery. Keep your hair and clothing away from moving parts.** Loose clothes, jewellery or long hair can be caught in moving parts.
- **If devices are provided for the connection of dust extraction and collection facilities, ensure these are connected and properly used.** Use of dust collection can reduce dust-related hazards.
- **Do not let familiarity gained from frequent use of machines allow you to become complacent and ignore machine safety principles.** A careless action can cause severe injury within a fraction of a second.

Machine use and care

- **Do not force the machine. Use the correct machine for your application.** The correct machine will do the job better and safer at the rate for which it was designed.
- **Do not use the machine if the switch does not turn it on and off.** Any machine that cannot be controlled with the switch is dangerous and must be repaired.
- **Disconnect the plug from the power source and/or remove the battery pack, if detachable, from the machine before making any adjustments, changing accessories, or storing machines.** Such preventive safety measures reduce the risk of starting the machine accidentally.
- **Store idle machines out of the reach of children and do not allow persons unfamiliar with the machines or these instructions to operate the machines.** Machines are dangerous in the hands of untrained users.
- **Maintain machines and accessories. Check for misalignment or binding of moving parts, breakage of parts and any other condition that may affect the machines' operation. If damaged, have the machine repaired before use.** Many accidents are caused by poorly maintained machines.
- **Keep cutting machines sharp and clean.** Properly maintained cutting machines with sharp cutting edges are less likely to bind and are easier to control.

- **Use the machine, accessories and bits etc. in accordance with these instructions, taking into account the working conditions and the work to be performed.** Use of the machine for operations different from those intended could result in a hazardous situation.
- **Keep handles and grasping surfaces dry, clean and free from oil and grease.** Slippery handles and grasping surfaces do not allow for safe handling and control of the machine in unexpected situations.

Battery machine use and care

- **Recharge only with the charger specified by the manufacturer.** A charger that is suitable for one type of battery pack may create a risk of fire when used with another battery pack.
- **Use machines only with specifically designated battery packs.** Use of any other battery packs may create a risk of injury and fire.
- **When battery pack is not in use, keep it away from other metal objects, like paper clips, coins, keys, nails, screws or other small metal objects, that can make a connection from one terminal to another.** Shorting the battery terminals together may cause burns or a fire.
- **Under abusive conditions, liquid may be ejected from the battery; avoid contact. If contact accidentally occurs, flush with water. If liquid contacts eyes, additionally seek medical help.** Liquid ejected from the battery may cause irritations or burns.
- **Do not use a battery pack or machine that is damaged or modified.** Damaged or modified batteries may exhibit unpredictable behaviour resulting in fire, explosion or risk of injury.
- **Do not expose a battery pack or machine to fire or excessive temperature.** Exposure to fire or temperature above 130 °C / 265 °F may cause explosion.
- **Follow all charging instructions and do not charge the battery pack or machine outside the temperature range specified in the instructions.** Charging improperly or at temperatures outside the specified range may damage the battery and increase the risk of fire.

Service

- **Have your machine serviced by a qualified repair person using only identical replacement parts.** This will ensure that the safety of the machine is maintained.
- **Never service damaged battery packs.** Service of battery packs should only be performed by the manufacturer or authorized service providers.

Garden blower safety warnings

- **Do not use the garden blower in bad weather conditions, especially when there is a risk of lightning.** This decreases the risk of being struck by lightning.

- **Wear eye protection.** Adequate protective equipment will reduce the risk of personal injury.
- **While operating the garden blower, always wear non-slip and protective footwear. Do not operate the garden blower when barefoot or wearing open sandals.** This reduces the risk of injury to the feet.
- **Do not wear loose fitting clothing or articles such as scarves, strings, chains, ties, etc., that could get drawn into the air inlets. Tie back or cover long hair to make sure it does not get drawn into the air inlets.** If any of these items are drawn into the air inlets, it can increase the risk of personal injury.
- **Keep bystanders away while operating the garden blower.** Thrown debris can increase the risk of personal injury.
- **Never point the blower nozzle in the direction of people or pets or in the direction of windows. Use extra caution when blowing debris near solid objects, such as trees, automobiles and walls that can cause debris to ricochet.** Thrown objects can damage property and increase the risk of personal injury.
- **Do not use the garden blower to blow anything that is burning or smoking, such as cigarettes, matches or hot ashes.** These ignition sources may increase the risk of fire.
- **Do not touch the fan while still in motion. Turn off the garden blower and wait until the fan stops before removing any part that may give access to the fan.** This reduces the risk of injury from moving parts.
- **When clearing jammed material or servicing the garden blower, make sure the power switch is off.** Unexpected starting of the garden blower while clearing jammed material or servicing may result in serious personal injury.
- Keep the product clean. Make sure that you can clearly read signs and decals.
- Never allow children or people unfamiliar with these instructions to use the appliance. Local regulations may restrict the age of the operator.
- Always monitor a person, with decreased physical capacity or mental capacity, that uses the product. A responsible adult must be there at all times.
- Do not use the product if you are tired, ill, or under the influence of alcohol, drugs or medicine. This has a negative effect on your vision, alertness, coordination and judgment.
- Do not use the product if it is damaged or does not operate correctly.
- Do not change this product or use it if it is possible that it has been changed by others.

Work safety



WARNING: Read the warning instructions that follow before you use the product.

- Use personal protective equipment. Refer to *Personal protective equipment on page 10*.
- Make sure that you know how to stop the motor quickly in an emergency.
- Do not operate the product in rain or wet conditions. The risk of electrical shock increases if water enters the product.
- Always stay behind the product when you operate it.
- Never lift up the product when the motor is started. If you must lift the product, stop the motor and remove the battery.
- Do not walk rearward when you operate the product.
- Stop the motor when it is necessary to tilt the product for transportation or before you move across areas without grass, for example paths made of gravel, stone and asphalt.
- Do not run with the product when the motor is started. Always walk when you operate the product.
- The vibrations in the product during operation can be different from the declared vibration value in *Technical data on page 16*. The difference is caused by variations in how the product is used. If you operate the product frequently or for long periods of time, take breaks regularly to prevent injury from vibrations.

General safety instructions



WARNING: Read the warning instructions that follow before you use the product.

- This product is dangerous if used incorrectly or if you are not careful. Injury or death can occur if you do not obey the safety instructions.
- This product produces an electromagnetic field during operation. This field may under some circumstances interfere with active or passive medical implants. To reduce the risk of serious or fatal injury we recommend persons with medical implants to consult their physician and the medical implant manufacturer before operating this product.
- Always be careful and use your common sense. If you are not sure how to operate the product in a special situation, stop and speak to your Husqvarna dealer before you continue.
- Keep in mind that the operator will be held responsible for accidents that involve other persons or their property.



WARNING: Read the warning instructions that follow before you use the product.

- If you encounter a situation where you are uncertain how to proceed you should ask an expert. Contact your dealer or your service workshop. Avoid all

usage which you consider to be beyond your capability.

- Make sure that you can move and stand safely. Check the area around you for possible obstacles (roots, rocks, branches, ditches, etcetera) in case you have to move suddenly. Take great care when you work on sloping ground.
- Keep a good balance and a firm foothold at all times. Do not overreach.
- Listen out for warning signals or shouts when you wear hearing protection. Always remove your hearing protection as soon as the product stops.
- Do not operate the product near open windows.
- Show consideration to persons in your surroundings by avoiding using the product at unsuitable times, such as late in the evening or early in the morning. Follow local regulations and ordinances.
- Use the product with the lowest possible airflow. It is seldom necessary to use full airflow, and many work procedures can be done at half airflow. A lower airflow means less noise and less dust, and it is also easier to keep control over the rubbish collected together/moved.
- In dusty conditions slightly dampen the surface when using the product.
- Use a rake or a brush to release rubbish stuck to the ground.
- Hold the opening of the blower as close to the ground as possible.
- Observe your surroundings. Direct the product away from persons, animals, play areas, cars etc..
- Minimize the blowing time by lightly wetting dusty areas or using spray equipment.
- Be aware of the wind direction. Work with the wind to make your work easier.
- Stop the product and remove the battery if the product starts to vibrate abnormally.
- Using the blower to move large piles is time consuming and creates unnecessary noise.
- Clean up afterwards. Make sure that you have not blown rubbish into someone's garden.
- Do not run with the product.
- The powerful currents of air can move objects at such a speed that they can bounce back and cause serious eye injuries.

(Fig. 16)

- Do not direct the airflow towards people or animals.
- Stop the motor before you assemble or dismantle accessories or other parts.
- Keep all parts of your body away from hot surfaces.
- Never put the product down when it is activated unless you have it in clear sight.
- The blower must not be used while on a ladder or scaffolding.

(Fig. 17)

- Do not use the product unless you are able to call for help in case of an accident.

- Watch out for thrown objects. Stones, rubbish, etc., can be thrown up into the eyes causing blindness or serious injury.
- Use a residual-current device (RCI) for increased security when you charge the product. A residual-current device is fitted to protect operators in case an electrical fault should occur.
- This product is renowned for its low vibration load. Overexposure to vibration can lead to circulatory damage or nerve damage in people who have impaired circulation. Contact your doctor if you experience symptoms of overexposure to vibration. Such symptoms include numbness, loss of feeling, tingling, pricking, pain, loss of strength, changes in skin colour or condition. These symptoms normally appear in the fingers, hands or wrists.
- Only use the product for the purpose it was intended for.
- It is not possible to cover every conceivable situation you can face. Always exercise care and use your common sense. Avoid all situations which you consider to be beyond your capability. If you still feel uncertain about operating procedures after reading these instructions, you should consult an expert before continuing.
- Always use right/left hand to hold the product. Hold the product on the side of your body.

(Fig. 18)

Personal protective equipment



WARNING: Read the warning instructions that follow before you use the product.

- Always use approved personal protective equipment when you use the product. Personal protective equipment cannot fully prevent injury but it decreases the degree of injury if an accident does occur. Let your dealer help you select the right equipment.
- Use approved hearing protection.

(Fig. 19)

- Use approved eye protection. If you use a visor, you must also use approved protective goggles. Approved protective goggles must comply with the ANSI Z87.1 standard in the USA or EN 166 in EU countries.

(Fig. 20)

- Use gloves when it is necessary.

(Fig. 21)

- Use protective boots with steel toe-cap and non-slip soles.

(Fig. 22)

- Use clothing made of a strong fabric. Always use heavy, long pants and long sleeves. Do not use loose clothing that can catch on twigs and branches.

Do not use jewelry, short pants or sandals. Do not go with bare feet. Put your hair up safely above shoulder level.

- Keep first aid equipment close at hand.

(Fig. 23)

Safety devices on the product



WARNING: Read the warning instructions that follow before you use the product.

- In this section the product's safety features, its purpose and how checks and maintenance should be carried out to ensure that it operates correctly. See instructions under the heading *Product overview on page 6* to find where these parts are located on your product.
- The life span of the product can be reduced and the risk of accidents can increase if product maintenance is not carried out correctly and if service and/or repairs are not carried out professionally. If you need further information please contact your nearest servicing dealer.
- Never use a product with damaged safety components. The product's safety equipment must be inspected and maintained as described in this section. If your product fails any of these checks, contact your service agent to get it repaired.
- All servicing and repair work on the product requires special training. This is especially true of the product's safety equipment. If your product fails any of the checks described below you must contact your service agent. When you buy any of our products we guarantee the availability of professional repairs and service. If the retailer who sells your product is not a servicing dealer, ask him for the address of your nearest service agent.

To do a check of the keypad

1. Push and hold the ON/OFF button (A) until the power indicator (B) comes on. (Fig. 24)
2. Refer to *Troubleshooting on page 15* if the warning indicator (C) comes on or flashes.

To do a check of the power trigger

- Push and release the power trigger to make sure that it moves freely. (Fig. 25)

Battery safety



WARNING: Read the warning instructions that follow before you use the product.

- The recommended battery is 40-B series. The batteries are software encrypted.
- Use the 40-B series battery that is rechargeable as a power supply for the related Husqvarna products

only. To prevent injury, do not use the battery as a power supply for other devices.

- Risk of electrical shock. Do not connect the battery terminals to keys, screws or other metal. This can cause a short circuit of the battery.
- Do not use batteries that are non-rechargeable.
- Do not put objects into the air slots of the battery.
- Keep the battery away from sunlight, heat or open flame. The battery can cause burns and/or chemical burns.
- Keep the battery away from rain and wet conditions.
- Keep the battery away from microwaves and high pressure.
- Do not try to disassemble or break the battery.
- Do not let battery acid touch your skin. Battery acid causes injuries to the skin, corrosion and burns. If you get battery acid in your eyes, do not rub but flush with water for minimum 15 minutes. If battery acid has touched your skin, you must clean the skin with a large quantity of water and soap. Get medical aid.
- Use the battery in temperatures between -10 °C (14 °F) and 40 °C (104 °F).
- Do not clean the battery or the battery charger with water. See *To clean the product, the battery and the battery charger on page 14*.
- Do not use a damaged battery.
- Keep batteries in storage away from metal objects such as nails, screws or jewelry.
- Keep the battery away from children.

Battery charger safety



WARNING: Read the warning instructions that follow before you use the product.

- Risk of electrical shock or short circuit if the safety instructions are not obeyed.
- Do not use other battery chargers than the one supplied for your product. Only use 40-C80 chargers when you charge 40-B series replacement batteries.
- Do not try to disassemble the battery charger.
- Do not use a battery charger that is damaged or does not operate correctly.
- Do not lift the battery charger by the power cord. To disconnect the battery charger from a mains socket, pull out the plug. Do not pull the power cord.
- Keep all cables and extension cables away from water, oil and sharp edges. Make sure that the cable is not caught between objects, for example, doors, fences or equivalent.
- Do not use the battery charger near flammable materials or materials that can cause corrosion. Make sure that the battery charger is not covered. Pull out the plug to the battery charger if there is smoke or fire.

- Only charge the battery indoors in a location with good airflow and away from sunlight. Do not charge the battery outdoors. Do not charge the battery in wet conditions.
- Only use the battery charger where the temperature is between 5 °C (41 °F) and 40 °C (104 °F). Use the charger in an environment which has a good airflow, dry and no dust.
- Do not put objects into the cooling slots of the battery charger.
- Do not connect the battery charger terminals to metal objects as this can short circuit the battery charger.
- Use approved mains sockets that are not damaged. Make sure that the power cord of the battery charger is not damaged. If extension cables are used, make sure that the extension cables are not damaged.
- Do not charge non-rechargeable batteries in the battery chargers.
- Remove the battery before you do maintenance, other checks or assemble the product.
- The operator must only do the maintenance and servicing shown in this operator's manual. Turn to your servicing dealer for maintenance and servicing of a larger extension.
- Do not clean the battery or the battery charger with water. Strong detergent can cause damage to the plastic.
- If you do not do maintenance, it decreases the life cycle of the product and increases the risk of accidents.
- Special training is necessary for all servicing and repair work, especially for the safety devices on the product. If not all checks in this operator's manual are approved after you have done maintenance, turn to your servicing dealer. We guarantee that there are professional repairs and servicing available for your product.
- Only use original spare parts.

Safety instructions for maintenance



WARNING: Read the warning instructions that follow before you do maintenance on the product.

Assembly

Introduction



WARNING: Read and understand the safety chapter before you assemble the product.

1. Attach the battery charger on the wall with the 2 screws (A). Use wall plugs (B) if it is necessary. (Fig. 27)
2. Attach the 2 screw hole plugs (C).
3. Connect the power cord (D) to the battery charger on a main socket.

To install the nozzle

1. Put the nozzle on the front end of the product. (Fig. 26)
2. Push in the nozzle until you hear a click.

To install the battery charger 40-C80 on the wall



CAUTION: Do not use an electric screwdriver to install the battery charger to the wall. An electric screwdriver can cause damage to the battery charger.

Operation

Introduction



WARNING: Read and understand the safety chapter before you use the product.

To do a function check before you use the product

1. Do a check of the air inlet for dirt and cracks. Use a brush and clean off grass and leaves from the product. Refer to *To do a check of the air intake on page 14.*

2. Make sure that the product works correctly.
3. Do a check of all nuts and screws and make sure that they are tight.

Battery



WARNING: Before you use the battery, you must read and understand the safety chapter. You must also read and understand the operator's manual for the battery and the battery charger.

Keep the battery and the battery charger in correct ambient temperatures.

	Ambient temperature
Operation of the product	-5 °C – 40 °C / 23 °F - 104 °F
Charging of the battery	5 °C – 40 °C / 41 °F - 104 °F

Battery LED indicator

The display shows the state of charge and if there are problems with the battery. (Fig. 28)

LED indicator	Battery status (state of charge)
	40-B140
4 LED lights are on	The battery is 76% - 100% charged.
3 LED lights are on	The battery is 51% - 75% charged.
2 LED lights are on	The battery is 26% - 50% charged.
1 LED light is on	The battery is 6% - 25% charged.
1 LED light flashes	The battery is 0% - 5% charged.

To charge the battery

Charge the battery if it is the first time that you use it. A new battery is only 30% charged.



CAUTION: Connect the battery charger to a power outlet with the voltage and frequency that is specified on the rating plate.

The battery does not charge if the battery temperature is more than 50 °C/122 °F.

1. Connect the power cord to the battery charger.
2. Connect the battery charger to a grounded power outlet. The charging LED flashes one time. (Fig. 29)
3. Connect the battery to the battery charger. The charging LED comes on. Charge the battery for maximum 24 hours. (Fig. 30)
4. Push the battery indicator button, if all the LED indicators come on, the battery is fully charged.
5. Pull the power plug to disconnect the battery charger from the power outlet. Do not pull the power cord.
6. Remove the battery from the battery charger.

To connect the battery to the product



WARNING: Only use the recommended Husqvarnabattery for the product.

1. Make sure that the battery is fully charged.
2. Push the battery into the battery holder until you hear a click. The battery must move easily. If not, it is not installed correctly. (Fig. 31)

To start the product

1. Push and hold the start button until the green LED comes on. (Fig. 32)
2. Use the power trigger to operate the product.

To set the optimal airflow for your work

- Push the speed control button to set the airflow. There are 3 airflow steps. (Fig. 33)

To stop the product

1. Release the power trigger.
2. Push and hold the power button until the green LED comes off.
3. Push the release button and pull out the battery. (Fig. 34)

Automatic shutdown function

The product has an automatic shutdown function that stops the product if it is not used. The green LED power indicator goes off and the product stops after 3 minutes.

Maintenance

Introduction



WARNING: Before you do any maintenance work you must read and understand the safety chapter.

Maintenance schedule



WARNING: Remove the battery before you do maintenance.

The following is a list of the maintenance steps that you must do on the product.

Maintenance	Daily	Weekly	Monthly
Clean the product with a clean and dry cloth. Do not use water.	X		
Make sure that the handles dry and clean.	X		
Do a check of the keypad.	X		
Do a check of the power trigger.	X		
Make sure that nuts and screws are tight.	X		
Make sure that the battery is not damaged.	X		
Do a check of the battery's charge.	X		
Make sure that the release buttons on the battery is not damaged and locks the battery into the product.	X		
Make sure that the battery charger is not damaged.	X		
Make sure that all couplings, connections and cables are clean and not damaged.		X	
Do a check of the connections on the battery, on the battery charger and on the product.			X

To do a check of the air intake

1. Make sure that there is no blockage in the air intake. (Fig. 35)
2. Stop the product and remove unwanted material if it is necessary.



CAUTION: A blocked air intake decreases the blow capacity of the product and increases the work temperature of the motor. This can result in motor failure because the motor becomes too hot.

2. Examine the battery charger for damages, for example cracks.
3. Make sure that the connection cord of the battery charger is not damaged and that there are no cracks in it.

To clean the product, the battery and the battery charger

1. Clean the product with a dry cloth after use.
2. Clean the battery and battery charger with a dry cloth. Keep the battery guide tracks clean.
3. Make sure that the terminals on the battery and the battery charger are clean before the battery is put in the battery charger or the product.

To examine the battery and the battery charger

1. Examine the battery for damages, for example cracks.

Troubleshooting

Keypad

LED Screen	Possible faults	Possible solutions
The red error LED flashes	Temperature deviation.	Let the product become cool.
	Dirt in the battery connectors or the fan is blocked.	Clean with compressed air or a soft brush.
	The battery is empty.	Charge the battery.
	The battery is damaged.	Speak to your servicing agent.

Battery

LED Screen	Possible faults	Possible solutions
The green LED light flashes.	Low battery voltage.	Charge the battery.
The error LED light flashes.	Temperature deviation.	Use the battery in temperatures between -5 °C – 40 °C / 23 °F - 104 °F.
	Too high voltage.	Make sure that the mains voltage aligns with the voltage stated on the rating plate of the product.
		Remove the battery from the battery charger.
The error LED light is on.	Cell difference is too much (1V).	Speak to your servicing dealer.

Battery charger

LED Screen	Possible faults	Possible solutions
The charging LED indicator is solid red.	The battery charger is damaged.	Speak to your servicing dealer.
The charging LED indicator flashes green.	The battery temperature is out of the charging range.	Let the battery cool down or warm it up. When the battery has the correct temperature, it can be used or charged again. Use the battery charger in ambient temperature between 5 °C – 40 °C / 41 °F - 104 °F.
The charging LED indicator flashes red.	The battery is damaged.	Speak to your servicing dealer.

Transportation, storage and disposal

Transportation and storage

- The supplied Li-ion batteries obey the Dangerous Goods Legislation requirements.
- Obey the special requirement on package and labels for commercial transportation, including by third parties and forwarding agents.
- Speak to a person with special training in dangerous material before you send the product. Obey all applicable national regulations.
- Use tape on open contacts when you put the battery in a package. Put the battery in the package tightly to prevent movement.
- Remove the battery for storage or transportation.
- Put the battery and the battery charger in a space that is dry and free from moisture and frost.
- Do not keep the battery in an area where static electricity can occur. Do not keep the battery in a metal box.
- Put the battery in storage where the temperature is between 5°C / 41°F and 25°C / 77°F and away from open sunlight.
- Put the battery charger in storage where the temperature is between 5 °C/41 °F and 45°C/113°F and away from open sunlight.
- Use the battery charger only when the surrounding temperature is between 5 °C – 40 °C / 41 °F - 104 °F.

- Charge the battery 30% to 50% before you put it in storage for long periods.
- Put the product in storage where the temperatures between -40°C/-40°F to +60°C/140°F
- Put the battery charger in storage in a space that is closed and dry.
- Keep the battery away from the battery charger during storage. Do not let children and other not approved persons to touch the equipment. Keep the equipment in a space that you can lock.
- Clean the product and do a full service before you put the product in storage for a long time.
- Attach the product safely during transportation.

Disposal of the battery, battery charger and product

Symbols on the product or the package of the product means that the product is not domestic waste. Recycle it at a recycling station for electrical and electronic equipment. This helps to prevent damage to the environment and to persons.

Get in touch with your local authorities, domestic waste service or your dealer for more information about how to recycle your product.

Technical data

Technical data

	122iB
Motor	
Motor type	PMDC
Weight	
Weight without battery, kg	1.9
Noise emissions, sound levels, ^{1 2}	
Sound power level, measured dB (A)	92.2
Sound power level, guaranteed L _{WA} dB (A)	93
Equivalent sound pressure level at the operator's ear, measured according to EN IEC 62841-4-6 and ISO 22868, dB (A):	82.8

¹ Noise emissions in the environment measured as sound power (L_{WA}) in conformity with EC directive 2000/14/EC, has a typical statistical dispersion (standard deviation) of 1.0 dB(A).

² Reported data for equivalent sound pressure level for the machine has a typical statistical dispersion (standard deviation) of 1.3 dB (A).

	122iB
Vibration levels³	
Vibrations levels at handles, measured according to EN IEC 62841-4-6, m/s ²	1.13
Fan performance	
Peak volumetric flow rate, m ³ /h	865
Peak theoretical velocity, m/s	53
Blow force, N	11

Noise and vibration data are determined on the basis of the rated maximum speed.

Note: The declared vibration total value and declared noise emission values have been measured in accordance with a standard test method and can be used for comparing on tool with another.

Note: The declared vibration total value and declared noise emission values can also be used in a preliminary assessment of exposure.

Note: The vibration emission and noise emission during actual use of the product can differ from the declared total value depending on how the product is used. It is necessary to identify safety measures to protect the operator, based on an estimation of exposure in the actual conditions of use. Include all parts of the operation cycle in the estimation, such as the times when the product is switched off and when it is running idle in addition to the trigger time.

Approved batteries for the product

Battery	40-B140
Type	Lithium-ion
Battery capacity, Ah	Refer to battery rating decal
Nominal voltage, V	36
Weight, kg/lb	1.25/2.76

Approved battery chargers

Battery charger	40-C80
Input voltage, V	100-240
Frequency, Hz	50-60
Power, W	72
Output voltage, V d.c / Amps, A	43 / 1.6

³ Reported data for vibration level has a typical statistical dispersion (standard deviation) of 1.5 m/s².

Declaration of Conformity

EU Declaration of conformity

We, **Husqvarna AB**, SE-561 82 Huskvarna, SWEDEN,
tel: +46-36-146500, declare on our sole responsibility
that the product:

Description	Handheld battery-operated blower
Brand	Husqvarna
Type / Model	122iB
Identification	Serial numbers dating from 2025 and onwards

is in conformity with the following EU directives and
regulations as amended:

Regulation	Description
2006/42/EC	"relating to machinery"
2014/30/EU	"relating to electromagnetic compatibility"
2011/65/EU	"on the restriction of the use of certain hazardous substances in electrical and electronic equipment"
2000/14/EC	"relating to the noise emissions in the environment"

and that the following standards and/or technical
specifications are applied: EN 62841-1:2015/A11:2022,
EN IEC 62841-4-6:2024/A11:2024, EN IEC 63000:2018

EN IEC 55014-1:2021, EN IEC 55014-2:2021

In accordance with directive 2000/14/EC, Annex V, refer
to *Technical data on page 16* for the declared sound
values.

Huskvarna, 2025-11-03

Claes Losdal, R&D Manager, Husqvarna AB
Responsible for technical documentation



Съдържание

Въведение.....	19	Отстраняване на проблеми.....	30
Безопасност.....	20	Транспортиране, съхранение и изхвърляне.....	31
Монтаж.....	27	Технически данни.....	32
Операция.....	27	Декларация за съответствие.....	34
Техническо обслужване.....	29		