



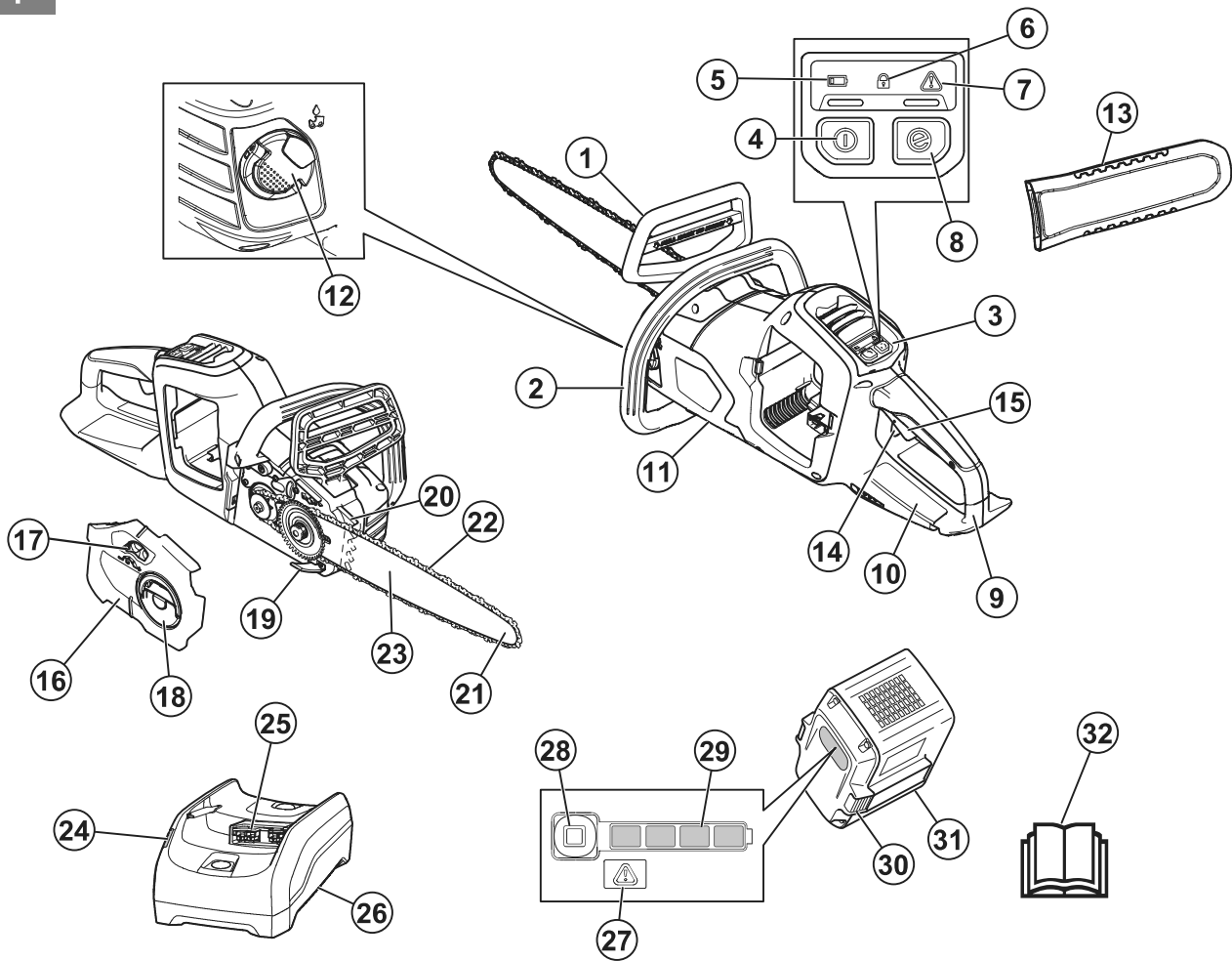
# Husqvarna®



## 215i

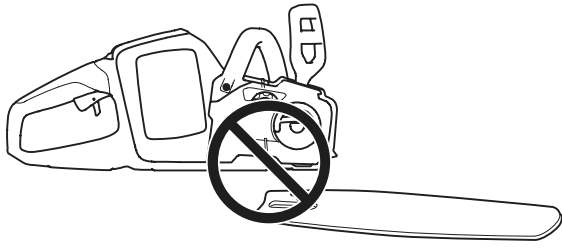


EN	Operator's manual	20-43
BG	Ръководство за експлоатация	44-73
CS	Návod k použití	74-98
DA	Brugsanvisning	99-123
DE	Bedienungsanweisung	124-151
EL	Οδηγίες χρήσης	152-181
ES	Manual de usuario	182-208
ET	Kasutusjuhend	209-232
FI	Käyttöohje	233-256
FR	Manuel d'utilisation	257-283
HR	Priručnik za korištenje	284-307
HU	Használati utasítás	308-334
IT	Manuale dell'operatore	335-360
JA	取扱説明書	361-384
KO	사용자 설명서	385-407
LT	Operatoriaus vadovas	408-432
LV	Lietošanas pamācība	433-457
NL	Gebbruiksaanwijzing	458-483
NO	Bruksanvisning	484-507
PL	Instrukcja obsługi	508-533
PT	Manual do utilizador	534-560
RO	Instrucțiuni de utilizare	561-586
RU	Руководство по эксплуатации	587-615
SK	Návod na obsluhu	616-640
SL	Navodila za uporabo	641-664
SR	Priručnik za rukovaoca	665-689
SV	Bruksanvisning	690-713
TR	Kullanım kılavuzu	714-737
UK	Посібник користувача	738-766
ZH	操作手册	767-787



2		3		4		5		6		7	
8		9		10		11		12		13	
14		15		16		17		18			
19		20		21							
22	yyyyywwxxxxxx		23								

24



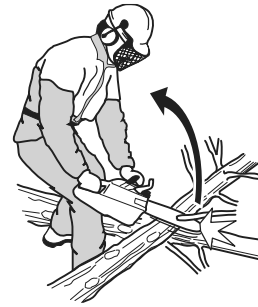
25



26



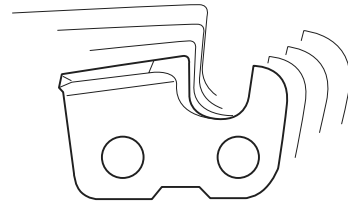
27



28



29



30



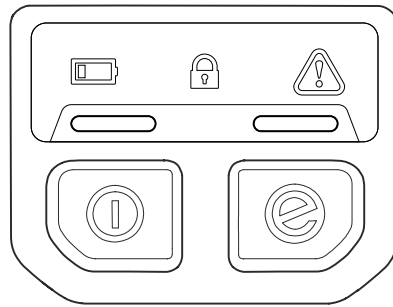
31



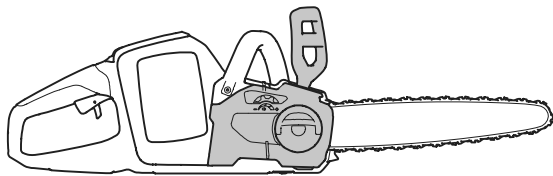
32



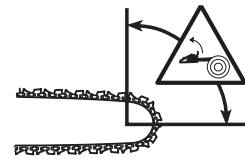
33



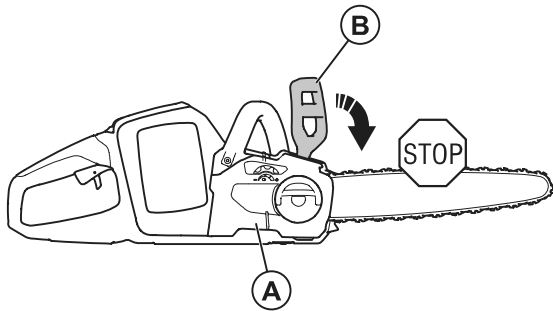
34



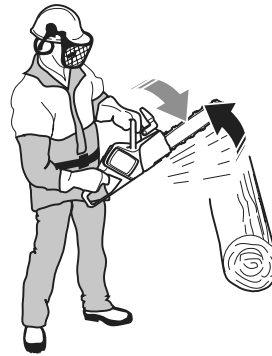
35



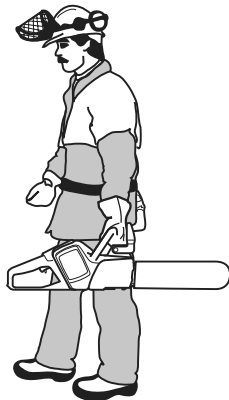
36



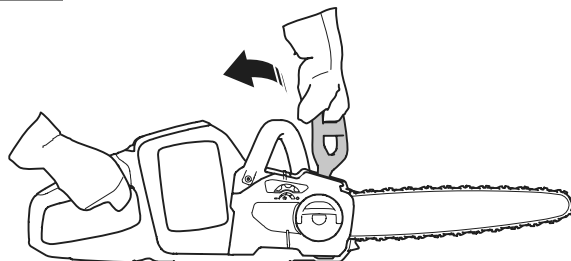
37



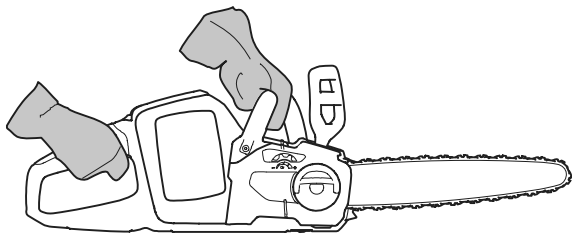
38



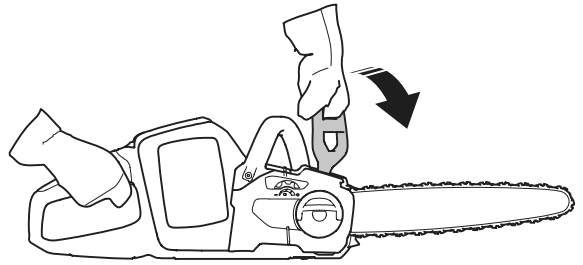
39



40



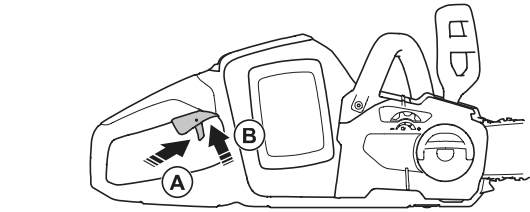
41



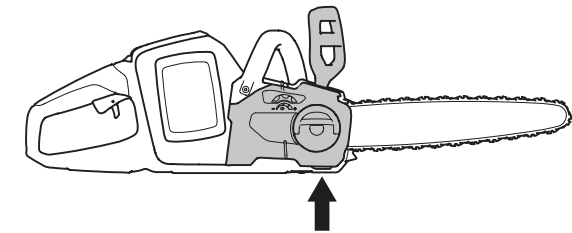
42



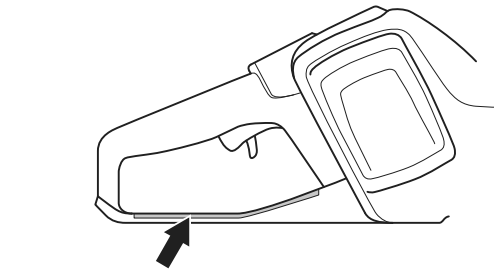
43



44



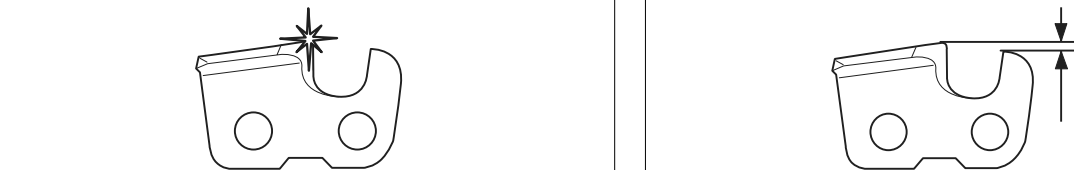
45

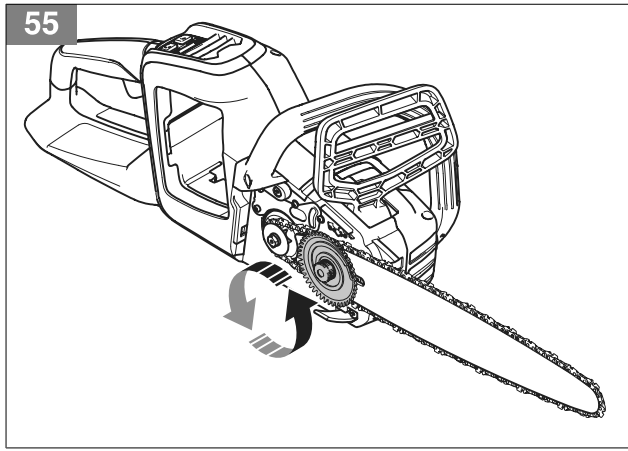
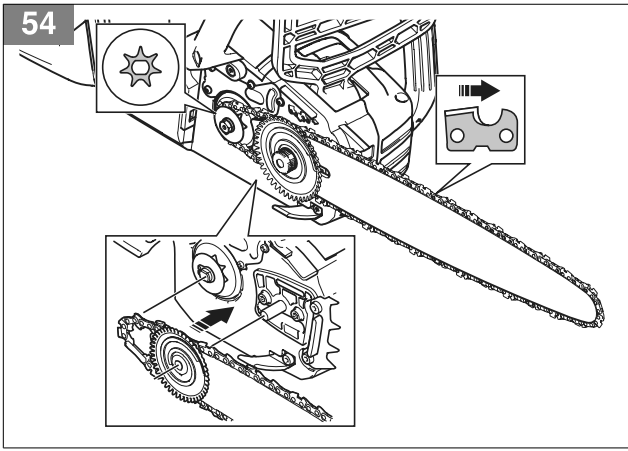
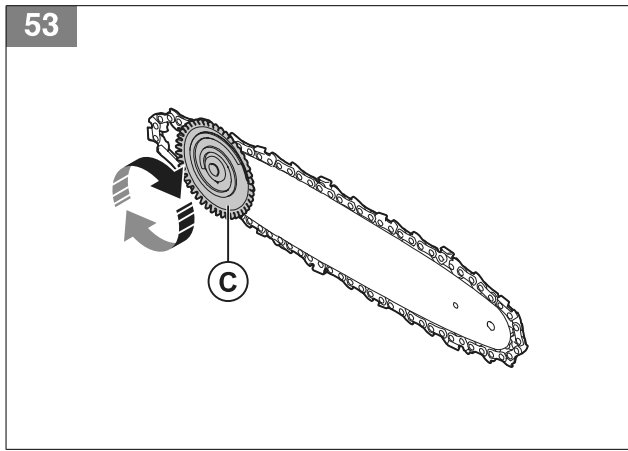
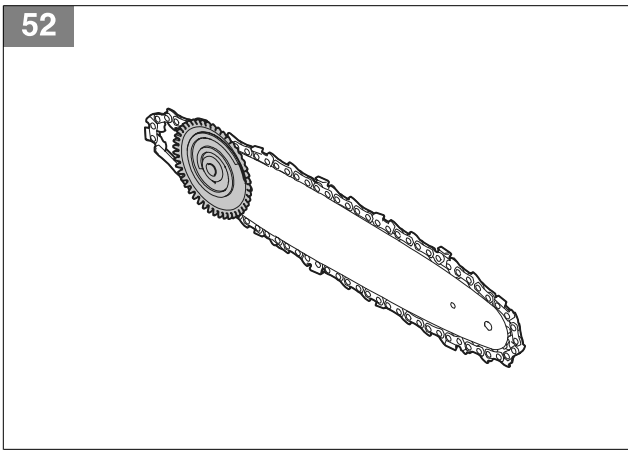
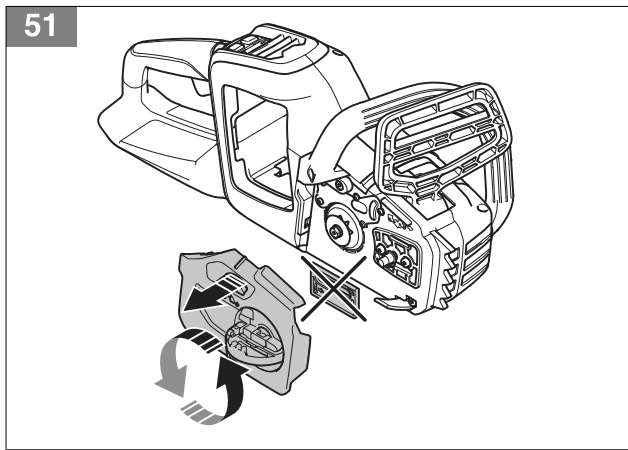
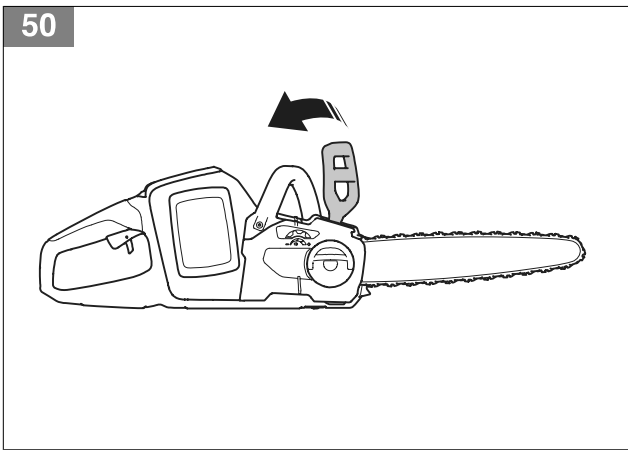
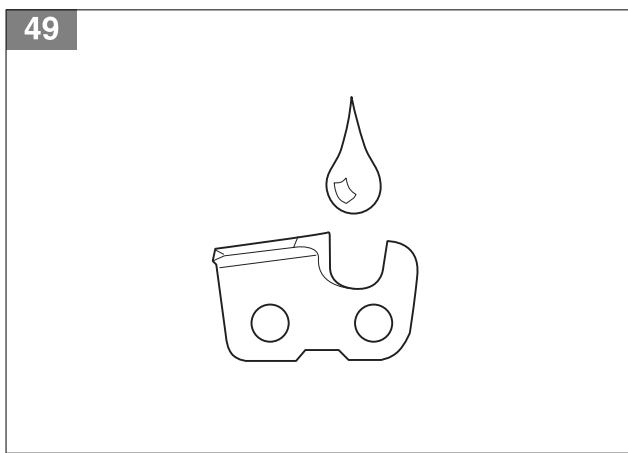
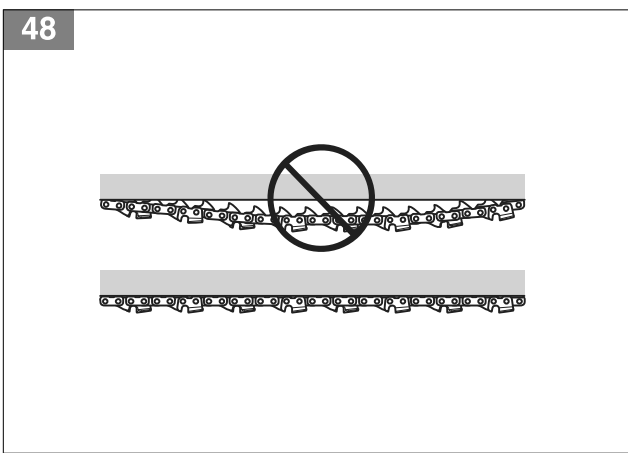


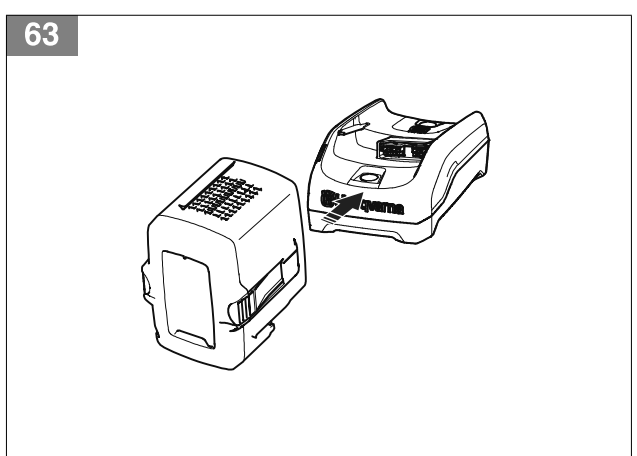
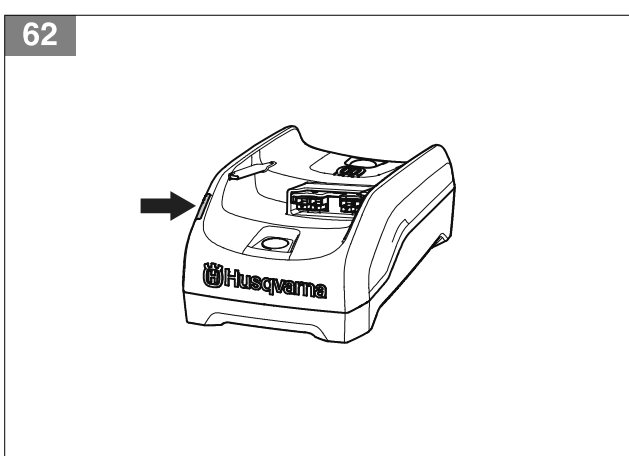
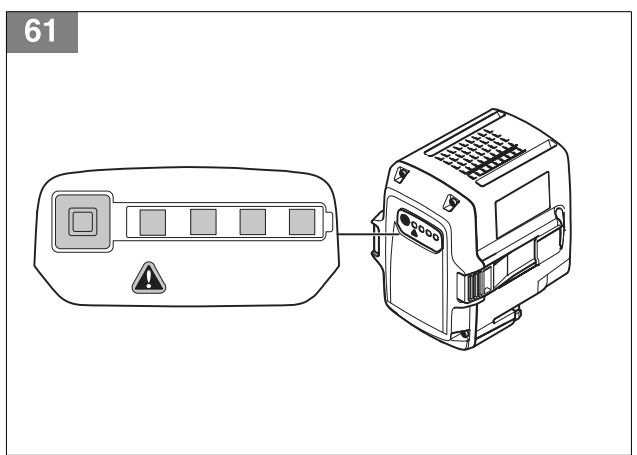
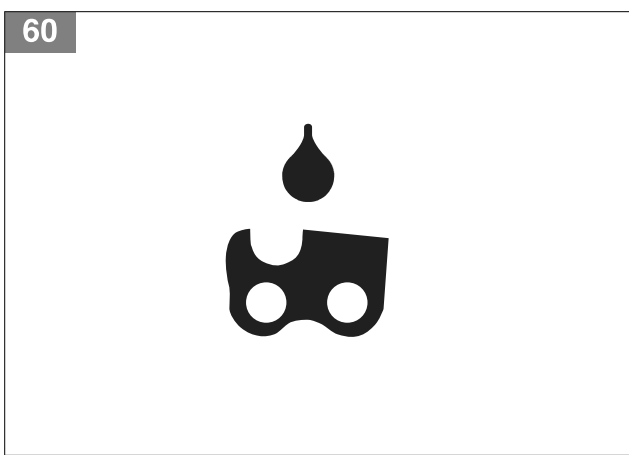
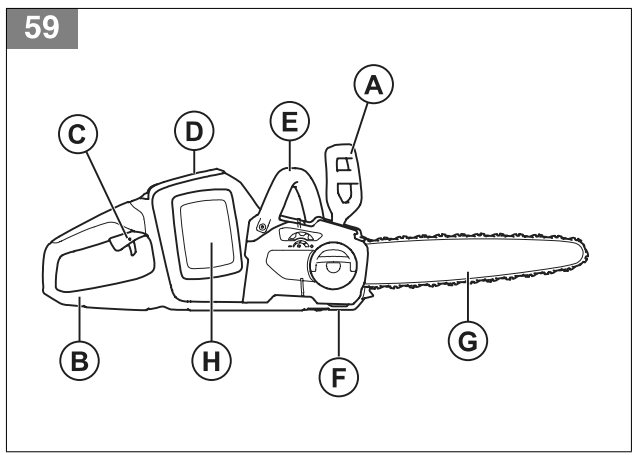
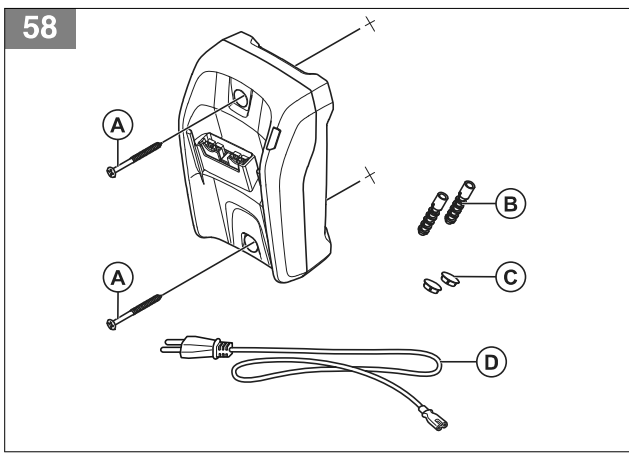
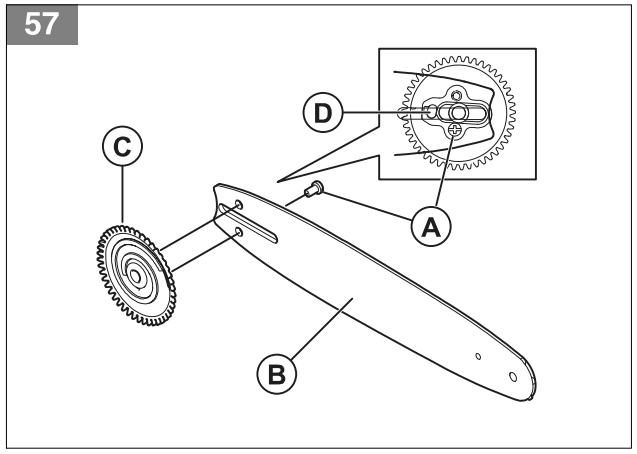
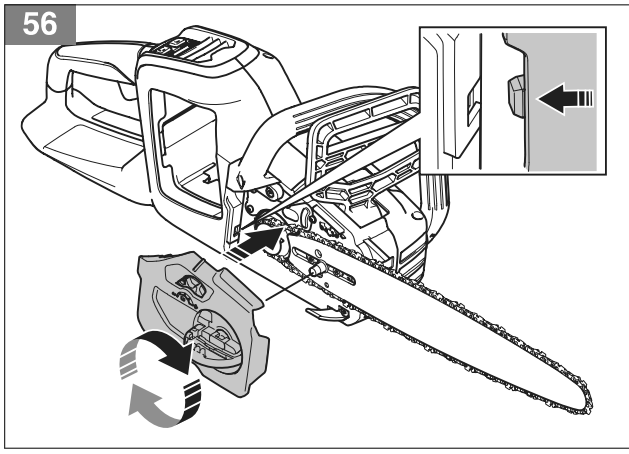
46



47



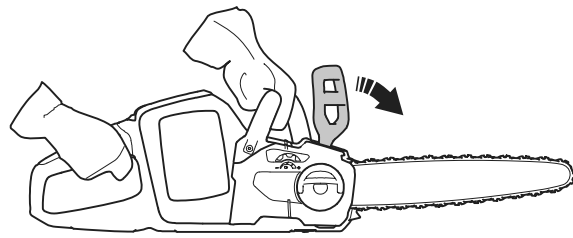




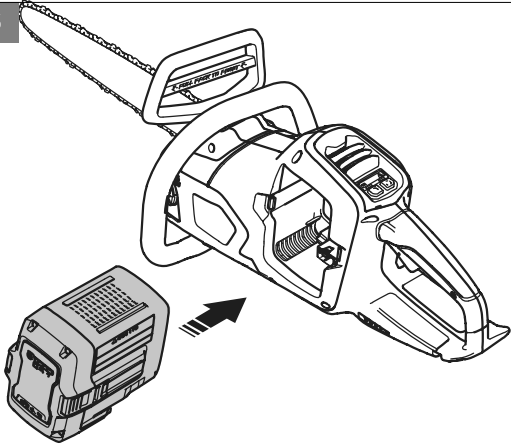
64



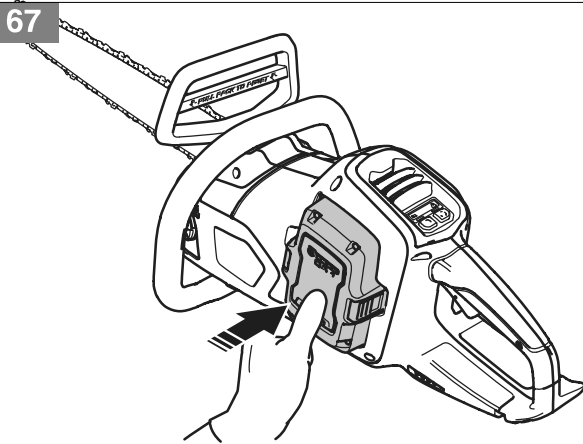
65



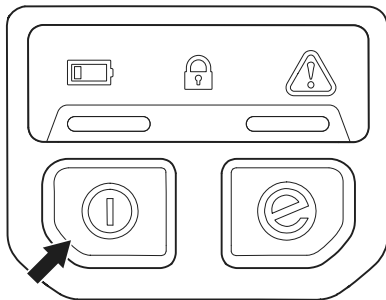
66



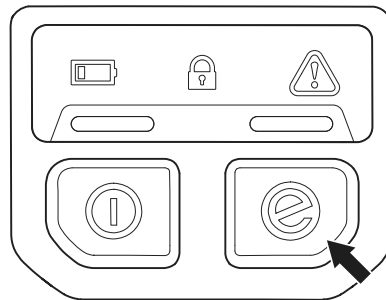
67



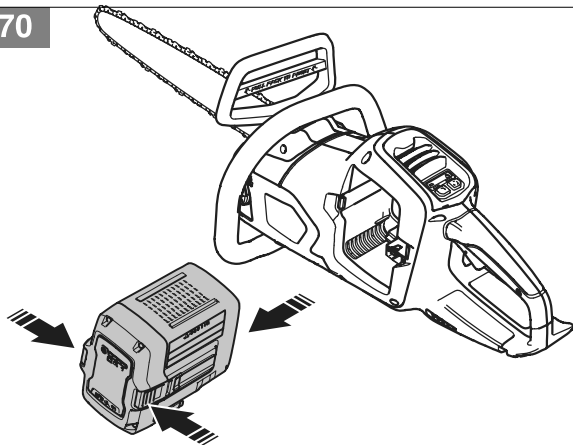
68



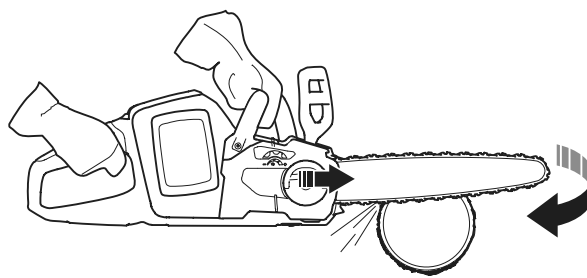
69



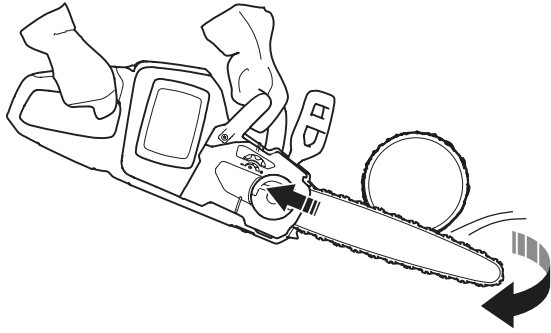
70



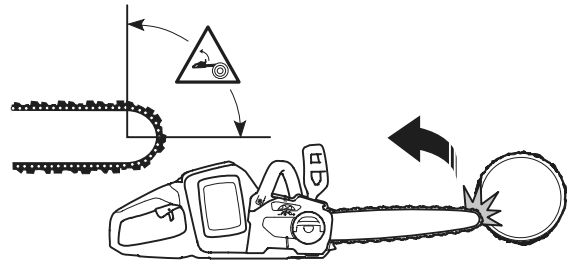
71



72



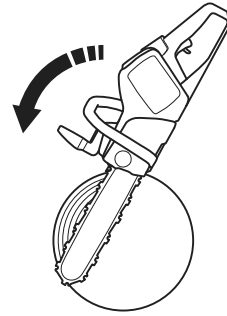
73



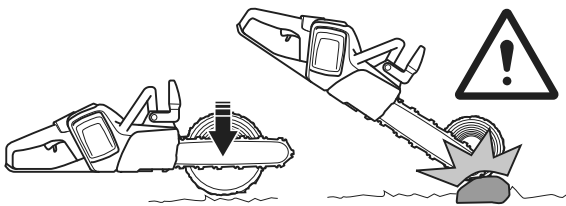
74



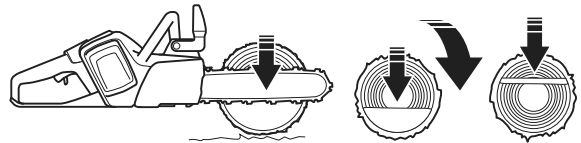
75



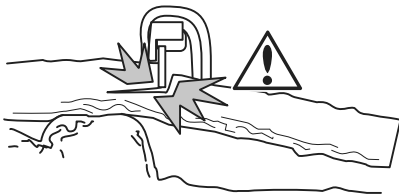
76



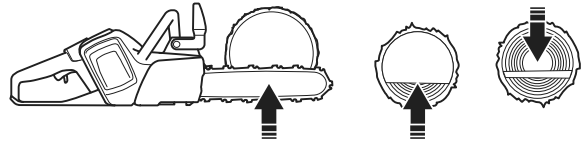
77



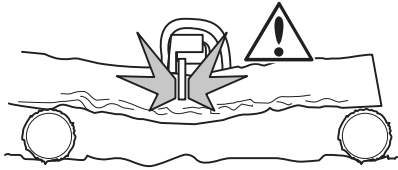
78



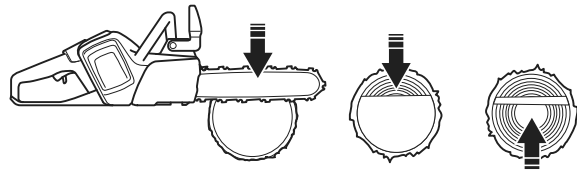
79



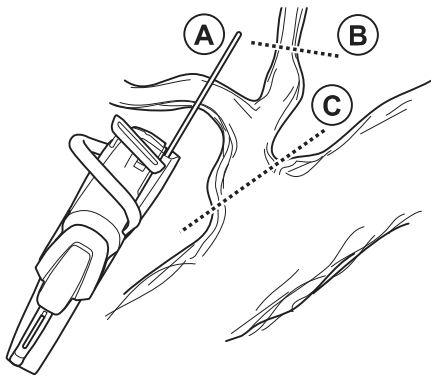
80



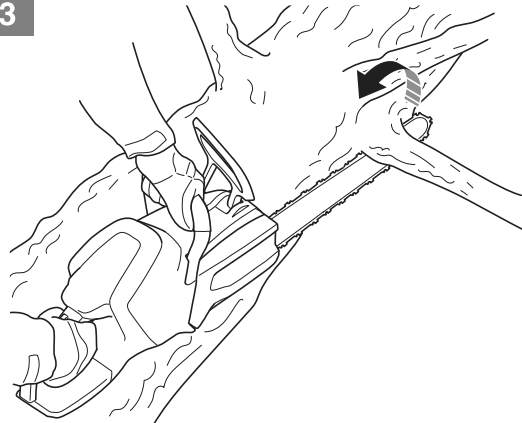
81



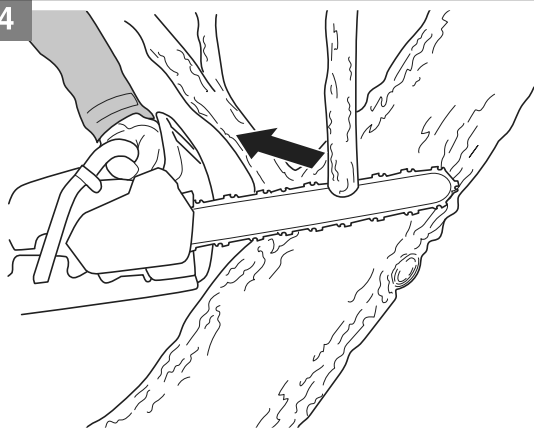
82



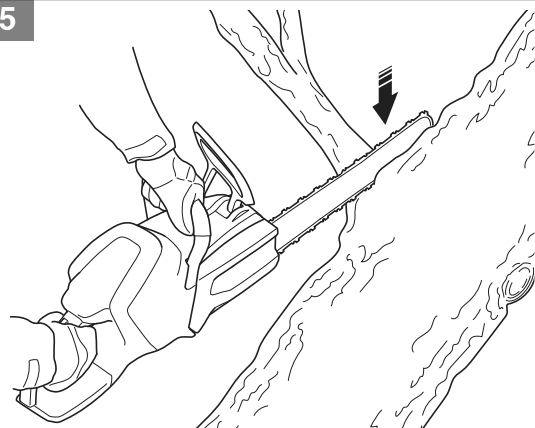
83



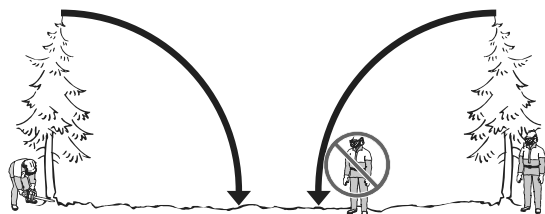
84



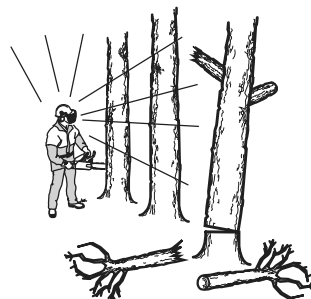
85



86



87



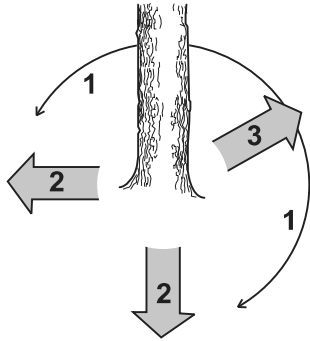
88



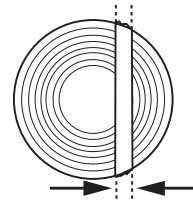
89



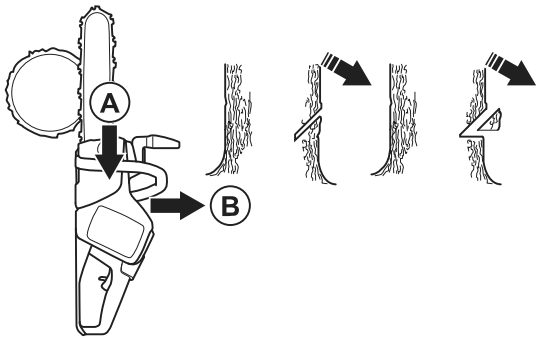
90



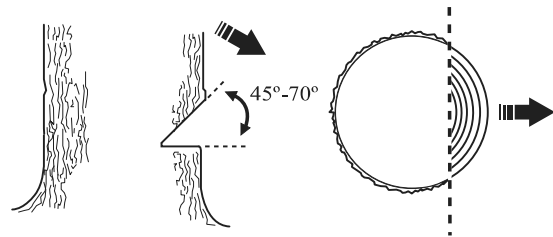
91



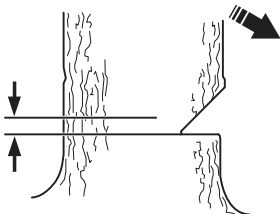
92



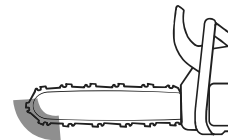
93



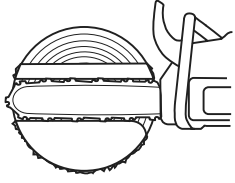
94



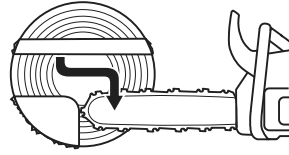
95



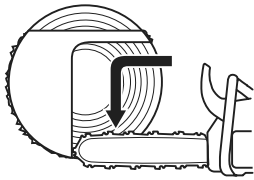
96



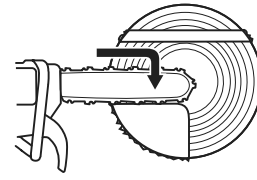
97



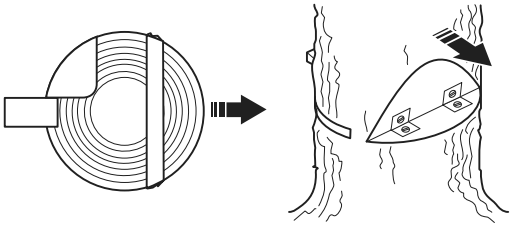
98



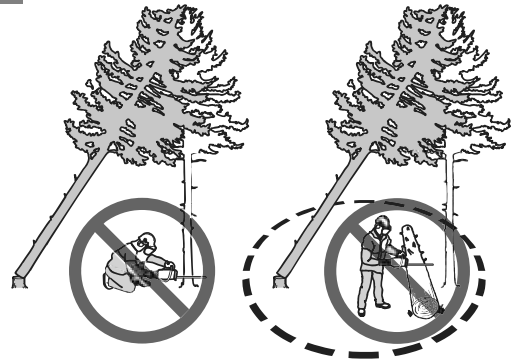
99



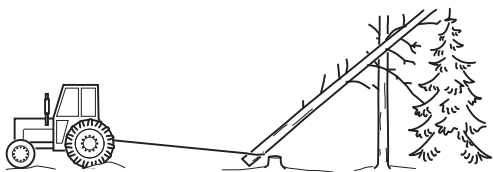
100



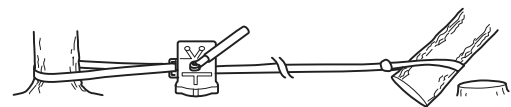
101



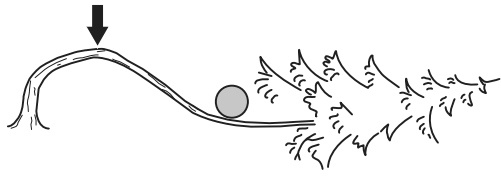
102



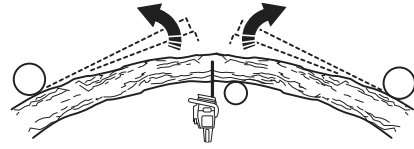
103



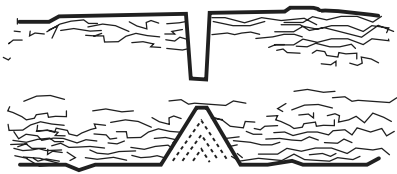
104



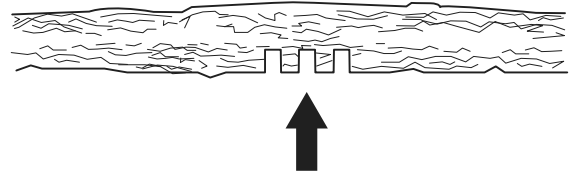
105



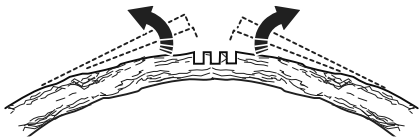
106



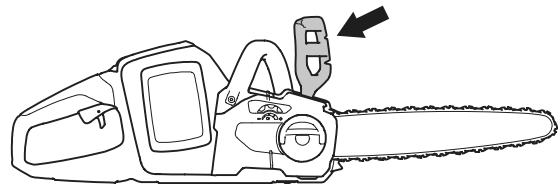
107



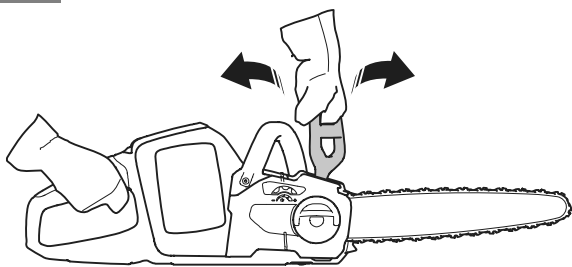
108



109



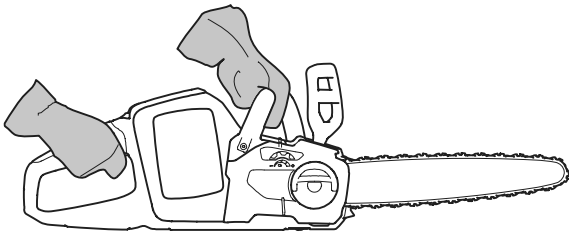
110



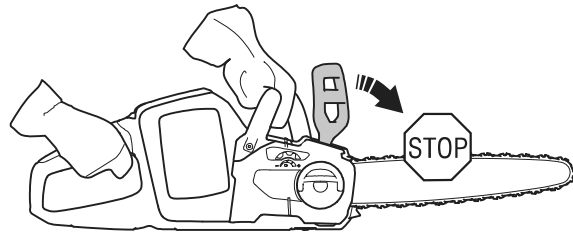
111



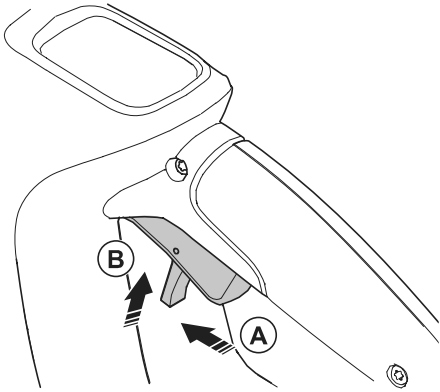
112



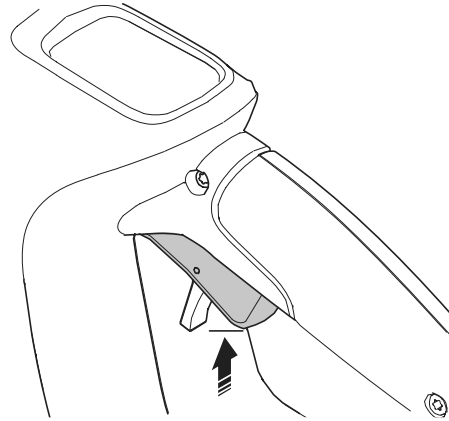
113



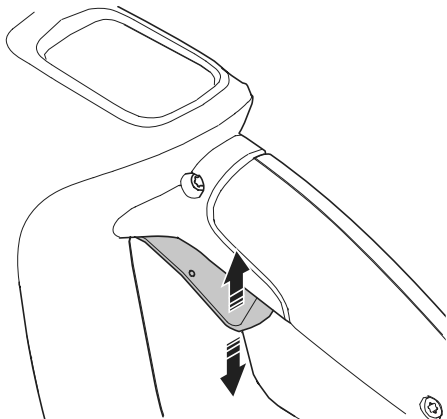
114



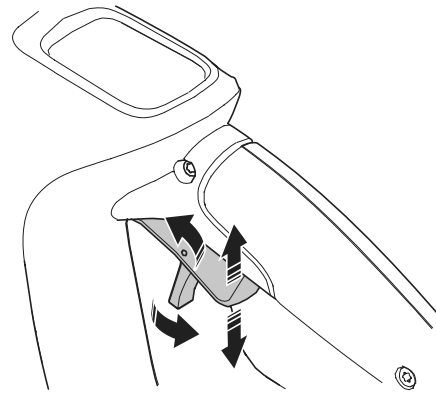
115



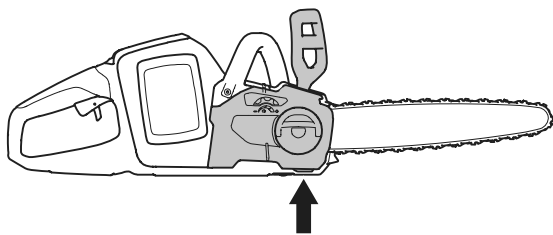
116



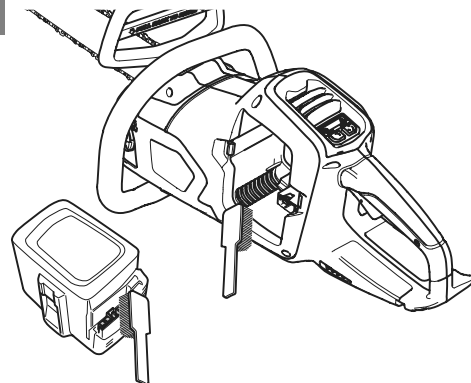
117



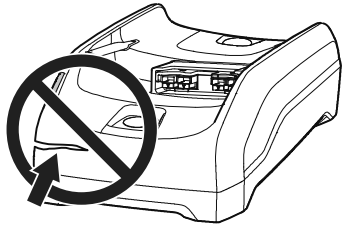
118



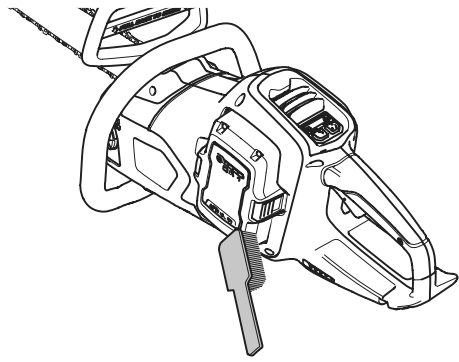
119



120



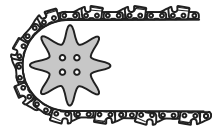
121



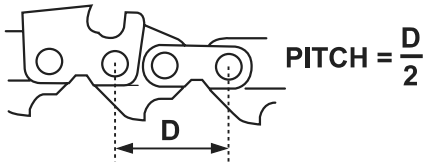
122



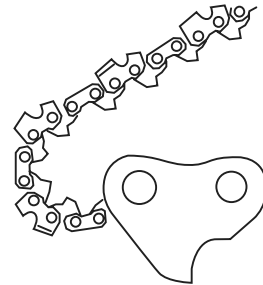
123



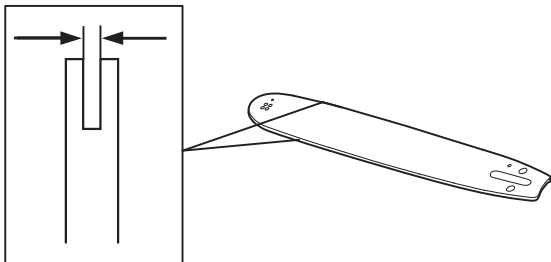
124



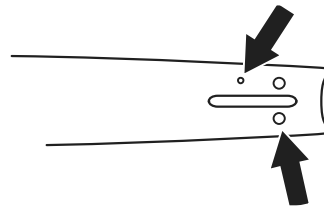
125



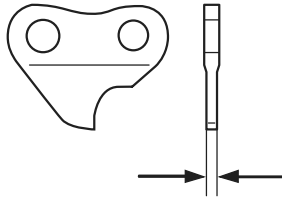
126



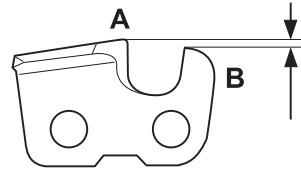
127



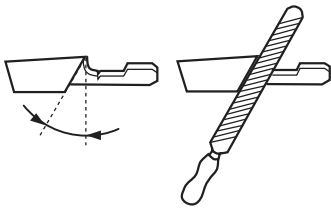
128



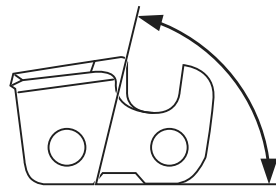
129



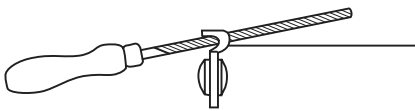
130



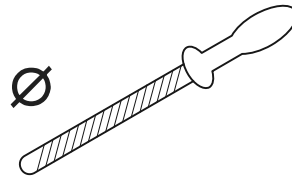
131



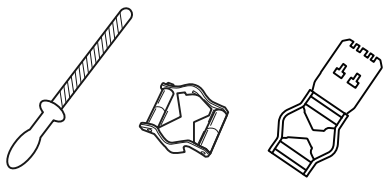
132



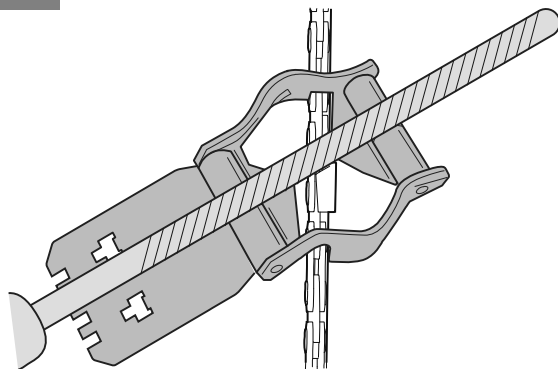
133



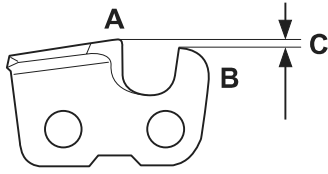
134



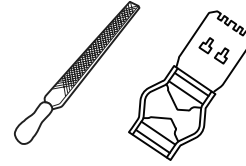
135



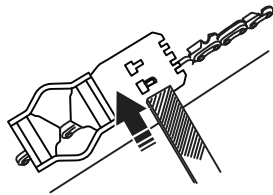
136



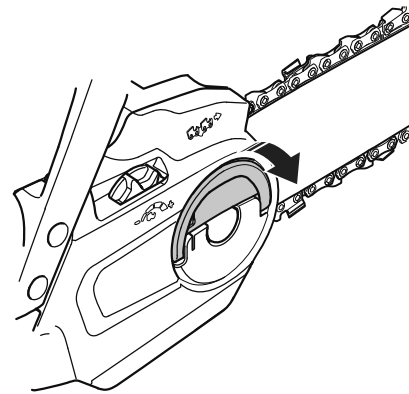
137



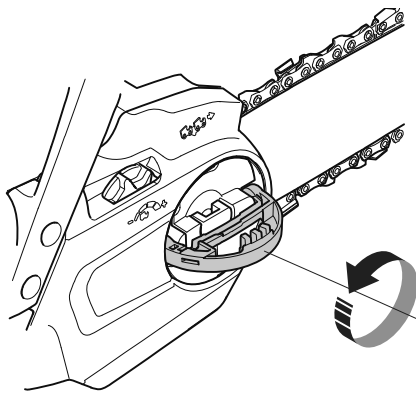
138



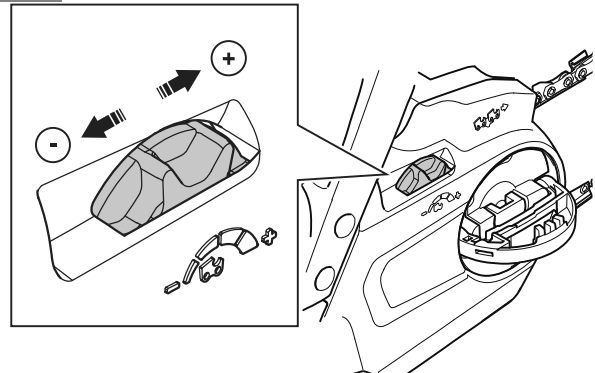
139



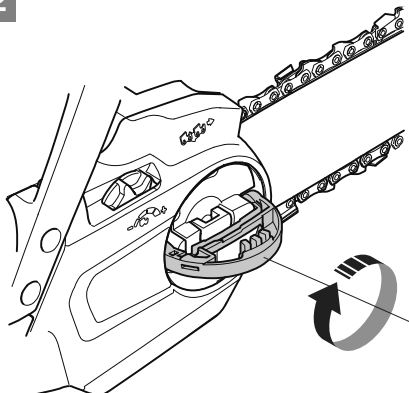
140



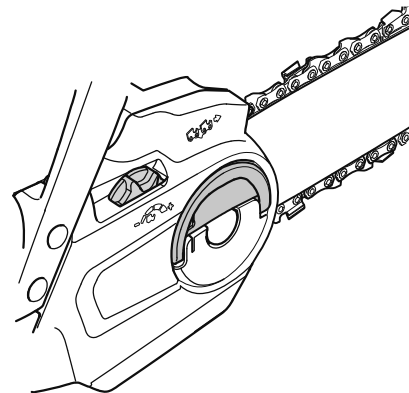
141



142



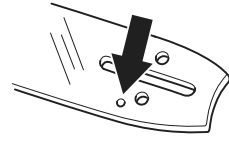
143



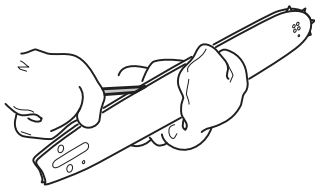
144



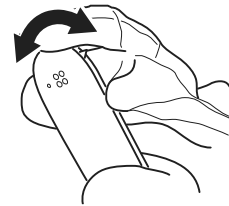
145



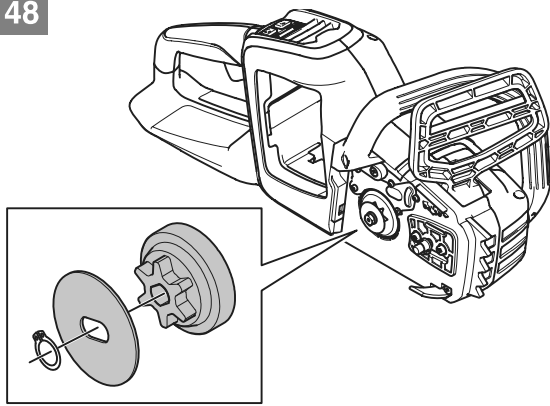
146



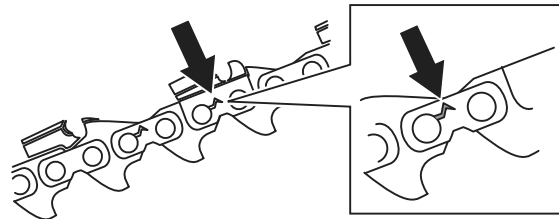
147



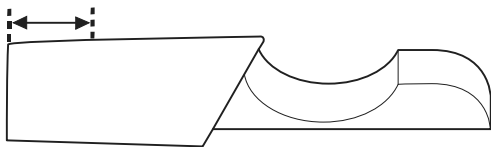
148



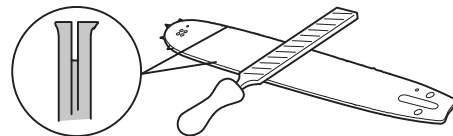
149



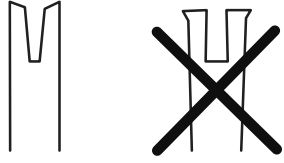
150



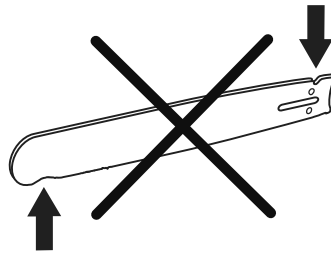
151



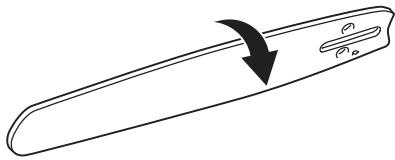
152



153



154



---

# Contents

---

Introduction.....	20	Troubleshooting.....	38
Safety.....	21	Transportation, storage and disposal.....	39
Assembly.....	28	Technical data.....	40
Operation.....	29	Accessories.....	41
Maintenance.....	34	Declaration of Conformity.....	43

---

## Introduction

---

### Intended use

This chainsaw for forest service is designed for forest work such as felling, delimiting and bucking.

---

**Note:** National regulations can set limit to the operation of the product.

---

### Product overview

(Fig. 1)

1. Front handguard
2. Front handle
3. User interface
4. On/off button
5. Battery indicator
6. Brake indicator
7. Product warning indicator
8. SavE button
9. Rear handle with right handguard
10. Information and warning decal
11. Housing
12. Chain oil tank
13. Transportation cover
14. Power trigger lockout
15. Power trigger
16. Drive sprocket cover with bar knob
17. Chain tensioner
18. Bar knob
19. Chain catcher
20. Spiked bumper
21. Bar tip sprocket
22. Saw chain
23. Guide bar
24. Indicator for state of charge
25. Connector
26. Battery charger
27. Battery warning indicator
28. Button, battery status
29. Battery status
30. Battery release button
31. Battery
32. Operator's manual

### Product description

Husqvarna 215i is a chainsaw model with an electrical motor.

Work is constantly in progress to increase your safety and efficiency during operation. Speak to your servicing dealer for more information.

### Symbols on the product

- (Fig. 2)      **WARNING:** This product can be dangerous and cause serious injury or death to the operator or others. Be careful and use the product correctly.
- (Fig. 3)      Read the operator's manual carefully and make sure that you understand the instructions before you use the product.
- (Fig. 4)      Use approved protective helmet, hearing protection and eye protection.
- (Fig. 5)      Use 2 hands when you operate the product.
- (Fig. 6)      Do not operate the product with 1 hand only.
- (Fig. 7)      Do not let the guide bar tip touch an object.
- (Fig. 8)      Do not use in rain.
- (Fig. 9)      **Warning!** Kickback can occur when the guide bar tip touches an object. This causes the guide bar to be thrown in the direction of the operator. Risk of serious injury or death.
- (Fig. 10)      Rated voltage, V
- (Fig. 11)      Chain oil.
- (Fig. 12)      Direct current.

- (Fig. 13) **Environmental mark.** The product or package of the product is not domestic waste. Recycle it at a recycling station for electrical and electronic equipment.
- (Fig. 14) This product complies with applicable EC Directives.
- (Fig. 15) Noise emission to the environment label as per European Directive 2000/14/EC and New South Wales legislation "Protection of the Environment Operations (Noise Control) Regulation 2017". The guaranteed sound power level of the product is specified in *Technical data on page 40* and on the label.
- (Fig. 19) Chain direction.
- (Fig. 20) Tension adjustment
- (Fig. 21) The direction in which the saw chain rotates and maximum length of the guide bar.
- (Fig. 22) The rating plate shows serial number. **yyyy** is the production year, **ww** is the production week and **xxxxx** is the sequential number.

---

**Note:** Other symbols/decals on the product refer to certification requirements for some markets.

---

## Symbols on the battery and/or on the battery charger

- (Fig. 23) Recycle this product at a recycling station for electrical and electronic equipment. (Applies to Europe only)
- (Fig. 16) Fail-safe transformer.
- (Fig. 17) Use and keep the battery charger indoors only.
- (Fig. 18) Double insulation.

## Manufacturer

Husqvarna AB  
 Drottninggatan 2, SE-561 82, Huskvarna, Sweden, tel: +46-36-146500

## Product damage

We are not responsible for damages to our product if:

- the product is incorrectly repaired.
- the product is repaired with parts that are not from the manufacturer or not approved by the manufacturer.
- the product has an accessory that is not from the manufacturer or not approved by the manufacturer.
- the product is not repaired at an approved service center or by an approved authority.

---

# Safety

---

## Safety definitions

Warnings, cautions and notes are used to point out particularly important parts of the manual.



**WARNING:** Used if there is a risk of injury or death for the operator or bystanders if the instructions in the manual are not obeyed.



**CAUTION:** Used if there is a risk of damage to the product, other materials or the adjacent area if the instructions in the manual are not obeyed.

**Note:** Used to give more information that is necessary in a given situation.

---

## General machine safety warnings



**WARNING:** Read all safety warnings, instructions, illustrations and specifications provided with this machine. Failure to follow all instructions listed below may result in electric shock, fire and/or serious injury.

- **Save all warnings and instructions for future reference.** The term "machine" in the warnings refers to your mains-operated (corded) machine or battery-operated (cordless) machine.

### Work area safety

- **Keep work area clean and well lit.** Cluttered or dark areas invite accidents.
- **Do not operate machines in explosive atmospheres, such as in the presence of**

**flammable liquids, gases or dust.** Machines create sparks which may ignite the dust or fumes.

- **Keep children and bystanders away while operating a machine.** Distractions can cause you to lose control.

## Electrical safety

- **Machine plugs must match the outlet. Never modify the plug in any way. Do not use any adapter plugs with earthed (grounded) machines.** Unmodified plugs and matching outlets will reduce risk of electric shock.
- **Avoid body contact with earthed or grounded surfaces, such as pipes, radiators, ranges and refrigerators.** There is an increased risk of electric shock if your body is earthed or grounded.
- **Do not expose machines to rain or wet conditions.** Water entering a machine will increase the risk of electric shock.
- **Do not abuse the cord. Never use the cord for carrying, pulling or unplugging the machine. Keep cord away from heat, oil, sharp edges or moving parts.** Damaged or entangled cords increase the risk of electric shock.
- **When operating a machine outdoors, use an extension cord suitable for outdoor use.** Use of a cord suitable for outdoor use reduces the risk of electric shock.
- **If operating a machine in a damp location is unavoidable, use a residual current device (RCD) protected supply.** Use of an RCD reduces the risk of electric shock.

## Personal safety

- **Stay alert, watch what you are doing and use common sense when operating a machine. Do not use a machine while you are tired or under the influence of drugs, alcohol or medication.** A moment of inattention while operating machines may result in serious personal injury.
- **Use personal protective equipment. Always wear eye protection.** Protective equipment such as dust mask, non-skid safety shoes, hard hat or hearing protection used for appropriate conditions will reduce personal injuries.
- **Prevent unintentional starting. Ensure the switch is in the off-position before connecting to power source and/or battery pack, picking up or carrying the machine.** Carrying machines with your finger on the switch or energising machines that have the switch on invites accidents.
- **Remove any adjusting key or wrench before turning the machine on.** A wrench or a key left attached to a rotating part of the machine may result in personal injury.
- **Do not overreach. Keep proper footing and balance at all times.** This enables better control of the machine in unexpected situations.

- **Dress properly. Do not wear loose clothing or jewellery. Keep your hair and clothing away from moving parts.** Loose clothes, jewellery or long hair can be caught in moving parts.
- **If devices are provided for the connection of dust extraction and collection facilities, ensure these are connected and properly used.** Use of dust collection can reduce dust-related hazards.
- **Do not let familiarity gained from frequent use of machines allow you to become complacent and ignore machine safety principles.** A careless action can cause severe injury within a fraction of a second.

## Machine use and care

- **Do not force the machine. Use the correct machine for your application.** *The correct machine will do the job better and safer at the rate for which it was designed.*
- **Do not use the machine if the switch does not turn it on and off.** *Any machine that cannot be controlled with the switch is dangerous and must be repaired.*
- **Disconnect the plug from the power source and/or remove the battery pack, if detachable, from the machine before making any adjustments, changing accessories, or storing machines.** *Such preventive safety measures reduce the risk of starting the machine accidentally.*
- **Store idle machines out of the reach of children and do not allow persons unfamiliar with the machine or these instructions to operate the machine.** *Machines are dangerous in the hands of untrained users.*
- **Maintain machines and accessories. Check for misalignment or binding of moving parts, breakage of parts and any other condition that may affect the machine's operation. If damaged, have the machine repaired before use.** *Many accidents are caused by poorly maintained machines.*
- **Keep cutting machines sharp and clean.** *Properly maintained cutting machines with sharp cutting edges are less likely to bind and are easier to control.*
- **Use the machine, accessories and tool bits etc. in accordance with these instructions, taking into account the working conditions and the work to be performed.** *Use of the machine for operations different from those intended could result in a hazardous situation.*
- **Keep handles and grasping surfaces dry, clean and free from oil and grease.** *Slippery handles and grasping surfaces do not allow for safe handling and control of the machine in unexpected situations.*

## Battery machine use and care

- **Recharge only with the charger specified by the manufacturer.** A charger that is suitable for one type

of battery pack may create a risk of fire when used with another battery pack.

- **Use machines only with specifically designated battery packs.** Use of any other battery packs may create a risk of injury and fire.
- **When battery pack is not in use, keep it away from other metal objects, like paper clips, coins, keys, nails, screws or other small metal objects, that can make a connection from one terminal to another.** Shorting the battery terminals together may cause burns or a fire.
- **Under abusive conditions, liquid may be ejected from the battery; avoid contact. If contact accidentally occurs, flush with water. If liquid contacts eyes, additionally seek medical help.** Liquid ejected from the battery may cause irritations or burns.
- **Do not use a battery pack or machine that is damaged or modified.** Damaged or modified batteries may exhibit unpredictable behaviour resulting in fire, explosion or risk of injury.
- **Do not expose a battery pack or machine to fire or excessive temperature.** Exposure to fire or temperature above 130 °C / 265 °F may cause explosion.
- **Follow all charging instructions and do not charge the battery pack or machine outside the temperature range specified in the instructions.** Charging improperly or at temperatures outside the specified range may damage the battery and increase the risk of fire.

## Service

- **Have your machine serviced by a qualified repair person using only identical replacement parts.** This will ensure that the safety of the machine is maintained.
- **Never service damaged battery packs.** Service of battery packs should only be performed by the manufacturer or authorized service providers.

## General chain saw safety warnings

- **Keep all parts of the body away from the saw chain when the chain saw is operating. Before you start the chain saw, make sure the saw chain is not contacting anything.** A moment of inattention while operating chain saws may cause entanglement of you clothing or body with the saw chain.
- **Always hold the chain saw with your right hand on the rear handle and your left hand on the front handle.** Holding the chain saw with a reversed hand configuration increases the risk of personal injury and should never be done.
- **Hold the chain saw by insulated gripping surfaces only, because the saw chain may contact hidden wiring.** Saw chains contacting

a "live" wire may make exposed metal parts of the chain saw "live" and could give the operator an electric shock.

- **Wear eye protection. Further protective equipment for hearing, head, hands, legs and feet is recommended.** Adequate protective equipment will reduce personal injury from flying debris or accidental contact with the saw chain.
- **Do not operate a chain saw in a tree, on a ladder, from a rooftop, or any unstable support.** Operation of a chain saw in this manner could result in serious personal injury.<sup>1</sup>
- **Always keep proper footing and operate the chain saw only when standing on fixed, secure and level surface.** Slippery or unstable surfaces may cause a loss of balance or control of the chain saw.
- **When cutting a limb that is under tension, be alert for spring back.** When the tension in the wood fibres is released, the spring loaded limb may strike the operator and/or throw the chain saw out of control.
- **Use extreme caution when cutting brush and saplings.** The slender material may catch the saw chain and be whipped toward you or pull you off balance.
- **Carry the chain saw by the front handle with the chain saw switched off and away from your body. When transporting or storing the chain saw, always fit the guide bar cover.** Proper handling of the chain saw will reduce the likelihood of accidental contact with the moving saw chain.
- **Follow instructions for lubricating, chain tensioning and changing the bar and chain.** Improperly tensioned or lubricated chain may either brake or increase the chance for kickback.
- **Cut wood only. Do not use chain saw for purposes not intended. For example: do not use chain saw for cutting metal, plastic, masonry or non-wood building materials.** Use of the chain saw for operations different than intended could result in a hazardous situation.
- **Do not attempt to fell a tree until you have an understanding of the risks and how to avoid them.** Serious injury could occur to the operator or bystanders while felling a tree.
- **Follow all instructions when clearing jammed material, storing or servicing the chain saw. Make sure the switch is off and the battery pack is removed.** Unexpected actuation of the chain saw while clearing jammed material or servicing may result in serious personal injury.
- **Do not operate a chain saw in a tree unless you have been specifically trained to do so.** Operation of a chain saw in a tree without proper training could increase the risk of serious personal injury.

---

<sup>1</sup> If you are trained in special cutting and working techniques, and properly secured (lift bucket, ropes, safety harness), deviations from this safety regulation can be made.

## Causes and operator prevention of kickback

Kickback may occur when the nose or tip of the guide bar touches an object, or when the wood closes in and pinches the saw chain in the cut. Tip contact in some cases may cause a sudden reverse reaction, kicking the guide bar up and back towards the operator. Pinching the saw chain along the top of the guide bar may push the guide bar rapidly back towards the operator. Either of these reactions may cause you to lose control of the saw which could result in serious personal injury. Do not rely exclusively upon the safety devices built into your saw. As a chain saw user, you should take several steps to keep your cutting jobs free from accident or injury. Kickback is the result of chain saw misuse and/or incorrect operating procedures or conditions and can be avoided by taking proper precautions as given below:

- **Maintain a firm grip, with thumbs and fingers encircling the chain saw handles, with both hands on the saw and position your body and arm to allow you to resist kickback forces.** Kickback forces can be controlled by the operator, if proper precautions are taken. Do not let go of the chain saw.
- **Do not overreach and do not cut above shoulder height.** This helps prevent unintended tip contact and enables better control of the chain saw in unexpected situations.
- **Only use replacement guide bars and saw chains specified by the manufacturer.** Incorrect replacement guide bars and saw chains may cause chain breakage and/or kickback.
- **Follow the manufacturer's sharpening and maintenance instructions for the saw chain.** Decreasing the depth gauge height can lead to increased kickback.

**SAVE THESE INSTRUCTIONS.**

## General safety instructions



**WARNING:** Read the warning instructions that follow before you use the product.

- This product is a dangerous tool if you are not careful or if you use the product incorrectly. This product can cause serious injury or death to the operator or others. It is very important that you read and understand the contents of this operator's manual.
- Do not change the product without an approval from the manufacturer. Do not use a product that has been changed by others and always use original accessories. Changes that are not approved from the manufacturer can result in serious injury or death to the operator or others.
- Long term inhalation of chain oil fumes and sawdust can cause health problems.

- This product produces an electromagnetic field during operation. This field may under some circumstances interfere with active or passive medical implants. To decrease the risk of serious injury or death, we recommend persons with medical implants to turn to their physician and the medical implant manufacturer before operating this product.

## Safety instructions for operation



**WARNING:** Read the warning instructions that follow before you use the product.

- The information in this operator's manual is not a replacement for professional knowledge and experience. If you do not feel safe in the situation that you are in, stop the product. Turn to your servicing dealer or a professional chainsaw operator. Do not attempt any task that you feel unsure of!
- Turn to your servicing dealer or Husqvarna if you have questions about the operation of the product. We can give you information about how to operate your product effectively and safely. Participate in a training class in chainsaw operation if possible. Your servicing dealer, forestry school or your library can give you information about training materials and classes that are available.
- You must understand the effects of kickback and how to prevent them before you use this product. Refer to *Kickback information on page 30* and *Common questions about kickback on page 30* for instructions.
- Do not use a product, battery or battery charger that is damaged or does not operate correctly.
- Do not touch a rotating saw chain. It can cause serious injuries or death.
- Do not use the product if you are tired, while under the influence of alcohol or drugs, medicine or anything that could have a negative effect on your vision, alertness, coordination or judgment.
- Working in bad weather is tiring and often brings added risk. Due to the added risk, it is not recommended to use the machine in very bad weather, for instance in dense fog, heavy rain, strong winds, intense cold, risk of lightning, etc.
- Do not start a product unless the guide bar, saw chain and all covers are assembled correctly. If not, the drive sprocket can come loose and cause serious injuries. Refer to *To assemble the guide bar and saw chain on page 28* for instructions.

(Fig. 24)

- Sometimes chips get stuck in the clutch cover causing the saw chain to jam. Always stop the motor before cleaning.
- Look around you. Make sure that there is no risk that persons or animals touch or influence on your control of the product.

(Fig. 25)

- Do not let children use or be near the product. The product is easy to start and children may be able to start it if they are not fully supervised. This can mean a risk of serious injury.
- Remove the battery when you do not have full view of the product or leave the product for any length of time.
- You must be stable on your feet in order to have full control of the product. Do not use the product if you are on a ladder or in a tree. Do not use the product if you are not on stable ground.

(Fig. 26)

- Working in a tree requires the use of special cutting and working techniques which must be observed in order to reduce the increased risk of personal injury. Never work in a tree unless you have received specific, professional training for such work, including training in the use of safety and other climbing equipment, such as harnesses, ropes, belts, climbing irons, snap hooks, carabiners, etcetera.
- Never attempt to catch falling sections. Never cut in the tree when you are only secured with one rope. Always use two secured ropes.
- If you are not careful, the risk of kickback increases. A kickback can occur if the kickback zone of the guide bar accidentally touches a branch, tree or other objects.

(Fig. 27)

- Do not hold the product with one hand. This product is not safely controlled with one hand.
- Do not use the product above shoulder height and do not try to cut with the guide bar tip.

(Fig. 28)

- Do not use a product in a situation where you can not call for help if an accident occur.
- Stop the product and engage the chain brake before you move the product. Hold the product with the guide bar and saw chain pointing rearward. Put on a guide bar cover on the guide bar before transportation or before you move it for any distance.
- When you put the product on the ground, engage the chain brake and have a constant view of the product. Stop the product and remove the battery before you leave your product for any length of time.
- There is a risk that wood chips get stuck in the drive system. This can cause the saw chain to get stuck. Always stop the product and remove the battery before you clean it.
- The vibration level increases if you cut with cutting equipment that is incorrect or not correctly sharpened. Cutting hardwoods, such as broadleaf trees, causes more vibration than cutting softwoods, such as conifers.

(Fig. 29)

- Overexposure to vibration can lead to circulatory damage or nerve damage in persons who have decreased circulation. Speak to your physician if you

experience symptoms of overexposure to vibration. Such symptoms include numbness, loss of feeling, tingling, pricking, pain, loss of strength, changes in skin colour or condition. These symptoms usually occur in the fingers, hands or wrists increases in cold temperatures.

- Do not try a pruning or limbing operation in a standing tree unless you have special training.
- Always stand on the uphill side of the log when you cut on a slope as the tree is likely to roll or slide downhill after it is felled. To maintain complete control of the product when you cut, release the cutting pressure near the end of the cut. Do not relax your hands around the handles. Do not let the saw chain to touch the ground. After you have completed the cut, wait for the saw chain to stop before you move the product. Always stop the motor before you move from tree to tree.

(Fig. 30)

- Do not fell a tree if there is any risk that it endangers any person, strike or cause any utility line, or cause property damage. If the tree strikes a utility line, the utility company must be notified immediately.
- Make sure that you can move around safely. Examine the conditions and the terrain around you for possible obstacles such as roots, rocks, branches, ditches and more. Be careful when you do work on sloping ground.
- Prevent situations which you think is beyond your capability.
- It is not possible to include each possible situation you can face when you use this product. Always be careful and use your common sense.

(Fig. 31)

## Personal protective equipment



**WARNING:** Read the warning instructions that follow before you use the product.

(Fig. 32)

- Most chainsaw accidents occur when the saw chain touches the operator. You must use approved personal protective equipment during operation. Personal protective equipment does not give you full protection from injuries but it decreases the degree of injury if an accident occurs. Speak to your servicing dealer for recommendations about which equipment to use.
- Your clothing must be close-fitting but not limit your movements. Regularly do a check of the condition of the personal protective equipment.
- Use an approved protective helmet.
- Use approved hearing protection. Long-term exposure to noise can result in permanent damage to the hearing.

- Use approved protective glasses or a face visor to decrease the risk of injury from thrown objects. The product can throw objects, such as wood chips, small pieces of wood and more, at large force. This can result in serious injury, especially to the eyes.
- Use gloves with saw protection.
- Use pants with saw protection.
- Use boots with saw protection, steel toe-cap and non-slip sole.
- Always have a first-aid kit with you.
- Risk of sparks. Keep fire extinguishing tools and a shovel near to prevent forest fires.

## Safety devices on the product



**WARNING:** Read the warning instructions that follow before you use the product.

- Do not use a product with safety devices that are damaged or do not operate correctly.
- Do a check of the safety devices regularly. Refer to *Maintenance and checks of the safety devices on the product on page 35*.
- If the safety devices are damaged or do not operate correctly, speak to your Husqvarna servicing dealer.

## Functions of the user interface

The user interface includes the on/off button, the SavE button, the battery status, the brake indicator and the warning indicator. The brake indicator is yellow if the chain brake is engaged. The warning indicator flashes red if there is a risk of overload or the product is too hot. The overload protection temporarily stops the product and you cannot use the product until the temperature decreases. If the warning indicator shows a solid light, speak to your servicing dealer.

(Fig. 33)

For more information about the user interface, refer to *Product overview on page 20*.

## The automatic stop function

The product has an automatic stop function that stops the product if you do not use it for 3 minutes.

## Chain brake and front handguard

Your product has a chain brake that stops the saw chain if you get a kickback. The chain brake decreases the risk of accidents but only you can prevent them. (Fig. 34)



**WARNING:** Do not engage in situations where there is a risk of kickback. Be careful when you use your product and make sure that the kickback zone of the guide bar does not touch an object.

(Fig. 35)

The chain brake (A) engages manually by your left hand or automatically by the inertia release mechanism. Push the front handguard (B) forward to engage the chain brake manually. This movement starts a spring-loaded mechanism that stops the drive sprocket.

(Fig. 36)

How the chain brake is engaged is in relation to the force of the kickback and position of the product. If you get an intense kickback while the kickback zone is farthest away from you, the chain brake engages by the inertia release mechanism. If the kickback is small or the kickback zone is nearer you, the chain brake engages manually by your left hand.

(Fig. 37)

Use the chain brake as a parking brake when you start the product and when you move short distances. This decreases the risk that you or a person near you touches the saw chain.

(Fig. 38)

Pull the front handguard rearward to disengage the chain brake.

(Fig. 39)

A kickback can be very sudden and intense. Most kickbacks are small and do not always engage the chain brake. If a kickback occurs when you use the product, hold tightly around the handles and do not let go.

(Fig. 40)

The front handguard also decreases the risk to touch the saw chain if your hand lets go of the front handle.

(Fig. 41)

In the felling position you cannot engage the chain brake manually. In this position, only the inertia release mechanism can engage the chain brake.

(Fig. 42)

## Power trigger lockout

The power trigger lockout prevents accidental operation of the power trigger. If you push the power trigger lockout forward (A), you can push the power trigger (B). If you release the handle, the power trigger and the power trigger lockout move back to their initial positions.

(Fig. 43)

## Chain catcher

The chain catcher catches the saw chain if it breaks or comes loose. If you have the correct chain tension, the risk decreases. You also decrease the risk if you do the correct maintenance on the guide bar and saw chain.

(Fig. 44)

See *To assemble the guide bar and saw chain on page 28* and *Maintenance on page 34* for instructions.

## Right handguard

The right handguard works as a protection for your hand if the saw chain breaks or comes loose. It also prevents interference from branches and twigs when you use the product.

(Fig. 45)

## Battery safety



**WARNING:** Read the warning instructions that follow before you use the product.

- Only use the 40-B series batteries that we recommend for your product. Refer to *Approved batteries on page 42*. The batteries are software encrypted.
- Use the 40-B series batteries that are rechargeable as a power supply for the related Husqvarna products only. Refer to *Approved batteries on page 42*. To prevent injury, do not use the battery as a power supply for other devices.
- Risk of electrical shock. Do not connect the battery terminals to keys, screws or other metal. This can cause a short circuit of the battery.
- Do not use batteries that are non-rechargeable.
- Do not put objects into the air slots of the battery.
- Keep the battery away from sunlight, heat or open flame. The battery can cause burns and/or chemical burns.
- Keep the battery away from rain and wet conditions.
- Keep the battery away from microwaves and high pressure.
- Do not try to disassemble or break the battery.
- Do not let battery acid touch your skin. Battery acid causes injuries to the skin, corrosion and burns. If you get battery acid in your eyes, do not rub but flush with water for minimum 15 minutes. If battery acid has touched your skin, you must clean the skin with a large quantity of water and soap. Get medical aid.
- Use the battery in temperatures between -10 °C (14 °F) and 40 °C (104 °F).
- Do not clean the battery or the battery charger with water. Refer to *To do a check of the battery and the battery holder on page 36*.
- Do not use a damaged battery.
- Keep batteries in storage away from metal objects such as nails, screws or jewelry.
- Keep the battery away from children.

## Battery charger safety



**WARNING:** Read the warning instructions that follow before you use the product.

- Risk of electrical shock or short circuit if the safety instructions are not obeyed.
- Use an approved grounded mains socket that is not damaged.
- Do not use other battery chargers than the one supplied for your product. Only use Husqvarna approved batteries and battery chargers. Refer to *Approved batteries on page 42* and *Approved battery chargers for the product on page 42*.
- Do not try to disassemble the battery charger.
- Do not use a defective or damaged battery charger.
- Do not lift the battery charger by the power cord. To disconnect the battery charger from a mains socket, pull out the plug. Do not pull the power cord.
- Keep all cables and extension leads away from water, oil and sharp edges. Make sure that the cable is not caught between doors, fences or similar.
- Do not use the battery charger near flammable materials or materials that can cause corrosion. Make sure that the battery charger is not covered. Pull out the plug to the battery charger if there is smoke or fire.
- Only charge the battery indoors in a location with good airflow and away from sunlight. Do not charge the battery outdoors. Do not charge the battery in wet conditions.
- Only use the battery charger where the temperature is between 5 °C (41 °F) and 40 °C (104 °F). Use the charger in an environment which has a good airflow, dry and free from dust.
- Do not put objects into the cooling slots of the battery charger.
- Do not connect the battery charger terminals to metal objects as this can short circuit the battery charger.
- Use approved wall sockets that are not damaged.
- Do not charge non-rechargeable batteries in the battery chargers.

## Safety instructions for maintenance



**WARNING:** Read the warning instructions that follow before you do maintenance on the product.

- Remove the battery before you do maintenance, other checks or assemble the product.
- The operator must only do the maintenance and servicing shown in this operator's manual. Turn to your servicing dealer for maintenance and servicing of a larger extension.
- Do not clean the battery or the battery charger with water. Strong detergent can cause damage to the plastic.
- If you do not do maintenance, it decreases the life cycle of the product and increases the risk of accidents.

- Special training is necessary for all servicing and repair work, especially for the safety devices on the product. If not all checks in this operator's manual are approved after you have done maintenance, turn to your servicing dealer. We guarantee that there are professional repairs and servicing available for your product.
- Only use original spare parts.

## Safety instructions for the cutting equipment



**WARNING:** Read the warning instructions that follow before you use the product.

- Only use approved guide bar/saw chain combinations and filing equipment. Refer to *Technical data on page 40* for instructions.
- Use protective gloves when you use or do maintenance on the saw chain. A saw chain that does not move can also cause injuries.
- Keep the cutting teeth correctly sharpened. Obey the instructions and use the recommended file gauge. A

saw chain that is damaged or incorrectly sharpened increases the risk of accidents.

(Fig. 46)

- Keep the correct depth gauge setting. Obey the instructions and use the recommended depth gauge setting. Too large depth gauge setting increases the risk of kickback.

(Fig. 47)

- Make sure that the saw chain has the correct tension. If the saw chain is not tight against the guide bar, the saw chain can derail. An incorrect saw chain tension increases wear on the guide bar, saw chain and chain drive sprocket. Refer to *Accessories on page 41*.

(Fig. 48)

- Do maintenance on the cutting equipment regularly and keep it correctly lubricated. If the saw chain is not correctly lubricated, the risk of wear on the guide bar, saw chain and chain drive sprocket increases.

(Fig. 49)

## Assembly

### To assemble the guide bar and saw chain



**WARNING:** Always remove the battery before you assemble or do maintenance on the product.

1. Disengage the chain brake. (Fig. 50)
2. Loosen the bar knob and remove the drive sprocket cover. Remove the transportation guards. (Fig. 51)
3. Put the saw chain in position on the guide bar. Start on the top edge of the guide bar. Make sure that the edges of the cutters point forward on the top of the edge of the guide bar. (Fig. 52)
4. Turn the tension wheel (C) clockwise as far as it will go (Fig. 53)
5. Lift the saw chain above the drive sprocket and put the guide bar together with the tension wheel in position. Make sure that the parts are assembled correctly as shown in the illustration below: (Fig. 54)
6. Rotate the tension wheel counterclockwise to apply tension to the saw chain. Make sure that the guide bar is tight against the saw and that the saw chain is correctly engaged in the groove on the guide bar. (Fig. 55)
7. Install the drive sprocket cover. Make sure that the flange on the cover is put correctly in the hole. Rotate the chain tensioner to engage correctly with the tension wheel. (Fig. 56)

8. Tighten the bar knob and fold down the bar knob to lock the tension.

**Note:** The saw chain is tightened correctly when you can turn it easily by hand and the saw chain is tight against the guide bar. Refer to *To adjust the tension of the saw chain on page 37*.

9. If you need to replace the guide bar or chain wheel. Do the steps that follow:
  - a) Put the tension wheel (C) on the guide bar (B). Make sure that detail (D) on the tension wheel points forward. Make sure that the 2 pins on the tension wheel engage in the holes on the guide bar.
  - b) Install the screw (A) and tighten it. (Fig. 57)

### To install the battery charger on the wall



**CAUTION:** Do not use an electric screwdriver to install the battery charger to the wall. An electric screwdriver can cause damage to the battery charger.

1. Install the battery charger on the wall with the 2 screws (A). Use wall plugs (B) if it is necessary. (Fig. 58)
2. Install the 2 screw hole plugs (C).
3. Connect the power cord (D) to the battery charger and a mains socket.

# Operation

## Introduction



**WARNING:** Read and understand the safety chapter before you use the product.

## To do a function check before you use the product

- Do a check of the chain brake (A) to make sure that it operates correctly and that it is not damaged. Refer to *To do a check of the chain brake on page 35* (Fig. 59)
- Do a check of the rear right handguard (B) to make sure that it is not damaged.
- Do a check of the power trigger and the power trigger lockout (C) to make sure that they operate correctly and that they are not damaged. Refer to *To do a check of the power trigger lockout on page 35*
- Do a check of the user interface (D) to make sure that it operates correctly. Refer to *To do a check of the functions of the user interface on page 36*
- Make sure that there is no oil on the handles (E).
- Do a check to make sure that all parts are correctly attached and not damaged or missing.
- Do a check of the chain catcher (F) to make sure that it is attached correctly. Refer to *To do a check of the chain catcher on page 36*
- Do a check of the chain tension (G). Refer to *To adjust the tension of the saw chain on page 37*
- Charge the battery (H) and make sure that it is correctly attached to the product. Refer to *To do a check of the battery and the battery holder on page 36*
- Make sure that the saw chain stops when you release the power trigger.

## To use the correct chain oil



**WARNING:** Do not use waste oil, which can cause injury to you and the environment. Waste oil also causes damage to the oil pump, the guide bar and the saw chain.



**WARNING:** The saw chain can break if the lubrication of the cutting equipment is not sufficient. Risk of serious injury or death to the operator.



**WARNING:** Use the correct chain oil for this function to operate correctly. Speak to your servicing dealer when you select your chain oil.

- Use Husqvarna chain oil for maximum saw chain life and to prevent negative effects on the environment. If Husqvarna chain oil is not available, we recommend you to use a standard chain oil.
- Use a chain oil with good adherence to the saw chain.
- Use a chain oil with correct viscosity range that agrees with the air temperature.



**CAUTION:** In temperatures below 0°C/32°F some chain oils become too thick, which can cause damage to the oil pump components.

- Use the recommended cutting equipment. Refer to *Accessories on page 41*.
- Remove the cap to the chain oil tank.
- Fill the chain oil tank with chain oil.
- Attach the cap carefully.

(Fig. 60)

**Note:** To see where the chain oil tank is on your product, refer to *Introduction on page 20*.

## Battery



**WARNING:** Read and understand the safety chapter before you use the battery. Read and understand the operator's manual for the battery and the battery charger.

Keep the battery and the battery charger in the correct ambient temperatures.

	Ambient temperature
Operation of the product	-5 °C-40 °C / 23 °F-104 °F
Charging of the battery	5 °C-40 °C / 41 °F-104 °F

## Battery status

The display shows the state of charge and if there are problems with the battery.

(Fig. 61)

LED indicator	Battery state of charge
4 LED lights are on	The battery is 76% - 100% charged.

LED indicator	Battery state of charge
3 LED lights are on	The battery is 51% - 75% charged.
2 LED lights are on	The battery is 26% - 50% charged.
1 LED light is on	The battery is 6% - 25% charged.
1 LED light flashes	The battery is 0% - 5% charged.

## To charge the battery

Charge the battery if it is the first time that you use it. A new battery is only 30% charged.



**CAUTION:** Connect the battery charger to a power outlet with the voltage and frequency that is specified on the rating plate.

The battery does not charge if the battery temperature is more than 50 °C/122 °F.

1. Connect the power cord to the battery charger.
2. Connect the battery charger to a grounded power outlet. The charging LED flashes one time. (Fig. 62)
3. Connect the battery to the battery charger. The charging LED comes on. Charge the battery for maximum 24 hours. (Fig. 63)
4. Push the battery indicator button, if all the LED indicators come on, the battery is fully charged.
5. Pull the power plug to disconnect the battery charger from the power outlet. Do not pull the power cord.
6. Remove the battery from the battery charger.

## Kickback information



**WARNING:** A kickback can cause serious injury or death to the operator or others. To decrease the risk you must know the causes of kickback and how to prevent them.

A kickback occurs when the kickback zone of the guide bar touches an object. A kickback can occur suddenly and with large force, which throws the product in the direction of the operator.

(Fig. 35)

Kickback always occurs in the cutting plane of the guide bar. Usually, the product is thrown against the operator but can also move in a different direction. It is how you use the product when the kickback occurs that causes the direction of the movement.

(Fig. 64)

Kickback only occurs if the kickback zone of the guide bar touches an object. Do not let the kickback zone touch an object.

(Fig. 35)

A smaller bar tip radius decreases the force of the kickback.

Use a low kickback saw chain to decrease the effects of kickback. Do not let the kickback zone touch an object.



**WARNING:** No saw chain fully prevents kickback. Always obey the instructions.

## Common questions about kickback

- **Will the hand always engage the chain brake during a kickback?**

No. It is necessary to use some force to push the front handguard forward. If you do not use the force necessary, the chain brake will not be engaged. You must also hold the handles of the product stable with two hands during work. If a kickback occurs, it is possible that the chain brake does not stop the saw chain before it touches you. There are also some positions in which your hand can not touch the front handguard to engage the chain brake.

- **Will the inertia release mechanism always engage the chain brake during kickback?**

No. First, the chain brake must operate correctly. Refer to *Maintenance and checks of the safety devices on the product on page 35* for instructions about how to do a check of the chain brake. We recommend you to do this each time before you use the product. Second, the force of the kickback must be large to engage the chain brake. If the chain brake is too sensitive, it can engage during rough operation.

- **Will the chain brake always protect me from injury during a kickback?**

No. The chain brake must operate correctly to give protection. The chain brake must also be engaged during a kickback to stop the saw chain. If you are near the guide bar, it is possible that the chain brake does not have time to stop the saw chain before it hits you.



**WARNING:** Only you and the correct working technique can prevent kickbacks.

## To start the product

1. Do a check of the power trigger and power trigger lockout. Refer to *To do a check of the power trigger lockout on page 35*.
2. Engage the chain brake. (Fig. 65)
3. Put the battery in the battery holder. (Fig. 66)



**CAUTION:** Make sure that the battery is installed correctly into the battery holder. If the battery does not move easily into the battery holder, the position is not correct.

4. Push on the lower part of the battery until you hear a click sound. (Fig. 67)
5. Push and hold the on/off button until the green LED comes on. (Fig. 68)

## To use the SavE function

The SavE function decreases the chain speed and the power of the product.

1. Push the SavE button. The green LED comes on. (Fig. 69)
2. Push the SavE button again to disengage the function. The green LED goes off.

## To stop the product

1. Push the on/off button until the green LED light goes off. (Fig. 68)
2. Push the battery release button and remove the battery from the battery holder to prevent accidental start. (Fig. 70)

## Pull stroke and push stroke

You can cut through wood with the product in 2 different positions.

- To cut on the pull stroke is when you cut with the bottom of the guide bar. The saw chain pulls through the tree when you cut. In this position you have better control of the product and the position of the kickback zone.

(Fig. 71)

- To cut on the push stroke is when you cut with the top of the guide bar. The saw chain pushes the product in the direction of the operator.

(Fig. 72)



**WARNING:** If the saw chain is caught in the trunk, the product can be pushed at you. Hold the product tightly and make sure that the kickback zone of the guide bar does not touch the tree and causes a kickback.

(Fig. 73)

## To use the cutting technique



**WARNING:** Use full power when you cut and decrease the speed to idle speed after each cut.



**CAUTION:** Do not let the motor operate for too long without load. This can cause damage to the motor.

1. Put the trunk on a saw horse or runners. (Fig. 74)



**WARNING:** Do not cut trunks in a pile. That increases the risk of kickback and can cause serious injury or death.

2. Remove the cut pieces from the work area.



**WARNING:** Cut pieces in the work area increase the risk of kickback and that you cannot keep your balance.

## To use the spiked bumper

1. Push the spiked bumper into the trunk of the tree.
2. Apply full power and rotate the product. Keep the spiked bumper against the trunk. This procedure makes it easier to apply the force necessary to cut through the trunk. (Fig. 75)

## To cut a trunk on the ground

1. Cut through the trunk on the pull stroke. Keep full power but be prepared for sudden accidents. (Fig. 76)



**WARNING:** Make sure that the saw chain does not touch the ground when you complete the kerf.

2. Cut approximately  $\frac{2}{3}$  through the trunk and then stop. Turn the trunk and cut from the opposite side. (Fig. 77)

## To cut a trunk that has support on one end



**WARNING:** Make sure that the trunk does not break during cutting. Obey the instructions below.

(Fig. 78)

1. Cut on the push stroke approximately  $\frac{1}{3}$  through the trunk.
2. Cut through the trunk on the pull stroke until the two kerfs touch. (Fig. 79)

## To cut a trunk that has support on two ends



**WARNING:** Make sure that the saw chain does not get caught in the trunk during cutting. Obey the instructions below.

(Fig. 80)

1. Cut on the pull stroke approximately  $\frac{1}{3}$  through the trunk.
2. Cut through the remaining part of the trunk on the push stroke to complete the cut. (Fig. 81)



**WARNING:** Stop the motor if the saw chain gets caught in the trunk. Use a lever to open up the kerf and remove the product. Do not try to pull the product out by hand. This can result in injury when the product suddenly breaks free.

## To use the limbing technique

**Note:** For thick branches, use the cutting technique. Refer to *To use the cutting technique on page 31*.



**WARNING:** There is a high accident risk when you use the limbing technique. Refer to *Kickback information on page 30* for instructions how to prevent kickback.



**WARNING:** Cut limbs one by one. Be careful when you remove small limbs and do not cut bushes or many small limbs at the same time. Small limbs can get caught in the saw chain and prevent safe operation of the product.

**Note:** If it is necessary, cut the limbs piece by piece. Cut the smaller branches (A) and (B) before you cut the limb near the trunk (C).

(Fig. 82)

1. Remove the limbs on the right side of the trunk.
  - a) Keep the guide bar on the right side of the trunk and keep the body of the product against the trunk.
  - b) Select the applicable cutting technique for the tension in the branch. (Fig. 83)



**WARNING:** If you are not sure about how to cut the branch, speak to a professional chainsaw operator before you continue.

2. Remove the limbs on the top of the trunk.

- a) Keep the product on the trunk and let the guide bar move along the trunk.
  - b) Cut on the push stroke. (Fig. 84)
3. Remove the limbs on the left side of the trunk.
    - a) Select the applicable cutting technique for the tension in the branch. (Fig. 85)



**WARNING:** If you are not sure about how to cut the branch, speak to a professional chainsaw operator before you continue.

Refer to *To cut trees and branches that are in tension on page 34* for instructions on how to cut branches that are in tension.

## To use the tree felling technique



**WARNING:** You must have experience to fell a tree. If possible, engage in a training course in chainsaw operation. Speak to an operator with experience for more knowledge.

## To keep a safe distance

1. Make sure that persons around you keep a safe distance at a minimum of 2 1/2 tree lengths. (Fig. 86)
2. Make sure that no person is in the risk zone before or during felling. (Fig. 87)

## To calculate the felling direction

1. Examine in which direction it is necessary for the tree to fall. The goal is to fell it in a position where you can limb and cut the trunk easily. It is also important that you are stable on your feet and can move about safely.



**WARNING:** If it is dangerous or not possible to fell the tree in its natural direction, fell the tree in a different direction.

2. Examine the natural fall direction of the tree. For example the tilt and bend of the tree, wind direction, the location of the branches and weight of snow.
3. Examine if there are obstacles, for example other trees, power lines, roads and/or buildings around.
4. Look for signs of damage and rot in the stem.



**WARNING:** Rot in the stem can mean a risk that the tree falls before you complete the cutting.

5. Make sure the tree has no damaged or dead branches that can break off and hit you during felling.

6. Do not let the tree fall onto a different standing tree. It is dangerous to remove a caught tree and there is a high accident risk. Refer to *To free a trapped tree on page 34*. (Fig. 88)



**WARNING:** During critical felling operations, lift your hearing protection immediately when the sawing is complete. It is important that you hear sounds and warning signals.

### To clear the trunk and prepare your path of retreat

Cut off all branches from your shoulder height and down.

1. Cut on the pull stroke from the top down. Make sure that the tree is between you and the product. (Fig. 89)
  2. Remove undergrowth from the work area around the tree. Remove all cut off material from the work area.
  3. Do a check of the area for obstacles such as stones, branches and holes. You must have a clear path of retreat when the tree starts to fall. Your path of retreat must be approximately 135 degrees away from the felling direction.
1. The danger zone
  2. The path of retreat
  3. The felling direction

(Fig. 90)

### To fell a tree

Husqvarna recommends you to make the directional cuts and then use the safe corner method when you fell a tree. The safe corner method helps you to make a correct felling hinge and control the felling direction.



**WARNING:** Do not fell trees with a diameter that is more than two times larger than the guide bar length. For this, you must have special training.

### The felling hinge

The most important procedure during tree felling is to make the correct felling hinge. With a correct felling hinge, you control the felling direction and make sure that the felling procedure is safe.

The thickness of the felling hinge must be equal and a minimum of 10% of the tree diameter.



**WARNING:** If the felling hinge is incorrect or too thin, you have no control of the felling direction.

(Fig. 91)

### To make the directional cuts

1. Make the directional cuts. Run the directional cuts 1/4 of the diameter of the tree. Make a 45° angle between the top cut and bottom cut.
  - a) Make the top cut first. Align the felling direction mark (A) of the product with the felling direction of the tree (B). Stay behind the product and keep the tree on your right side. Cut with a pull stroke.
  - b) Make the bottom cut. Make sure that the end of the bottom cut is at the same point as the end of the top cut. (Fig. 92)
2. Make sure that the directional cut line is perfectly horizontal and at right angles (90°) to the felling direction. The directional cut line goes through the point where the two directional cuts touch. (Fig. 93)

### To use the safe corner method

The felling cut must be made slightly above the directional cut.

(Fig. 94)



**WARNING:** Be careful when you cut with the guide bar tip. Start to cut with the lower section of the guide bar tip as you make a bore cut into the trunk.

(Fig. 95)

1. If the usable cutting length is longer than the tree diameter, do these steps (a-d).
  - a) Make a bore cut straight into the trunk to complete the felling hinge width. (Fig. 96)
  - b) Cut on the pull stroke until 1/3 of the trunk is left.
  - c) Pull the guide bar 5-10 cm/2-4 in rearward.
  - d) Cut through the remaining of the trunk to complete a safe corner that is 5-10 cm/2-4 in wide. (Fig. 97)
2. If the usable cutting length is shorter than the tree diameter, do these steps (a-d).
  - a) Make a bore cut straight into the trunk. The bore cut must extend 3/5 of the tree diameter.
  - b) Cut on the pull stroke through the remaining trunk. (Fig. 98)
  - c) Cut straight into the trunk from the other side of the tree to complete the felling hinge.
  - d) Cut on the push stroke, until 1/3 of the trunk is left, to complete the safe corner. (Fig. 99)
3. Put a wedge in the kerf straight from behind. (Fig. 100)
4. Cut off the corner to make the tree fall.

**Note:** If the tree does not fall, hit the wedge until it does.

- When the tree starts to fall, use the path of retreat to move away from the tree. Move a minimum of 5 m/15 ft away from the tree.

### To free a trapped tree



**WARNING:** It is very dangerous to remove a trapped tree and there is a high accident risk. Keep out of the risk zone and do not try to fell a trapped tree.

(Fig. 101)

The safest procedure is to use one of the following winches:

- Tractor-mounted

(Fig. 102)

- Portable

(Fig. 103)

### To cut trees and branches that are in tension

- Figure out which side of the tree or branch that is in tension.
- Figure out where the point of maximum tension is. (Fig. 104)
- Examine which is the safest procedure to release the tension.

**Note:** In some situations the only safe procedure is to use a winch and not your product.

- Keep a position where the tree or branch can not hit you when the tension is released. (Fig. 105)
- Make one or more cuts of sufficient depth necessary to decrease the tension. Cut at or near the point of maximum tension. Make the tree or branch break at the point of maximum tension. (Fig. 106)



**WARNING:** Do not cut straight through a tree or branch that is in tension.



**WARNING:** Be very careful when you cut a tree that is in tension. There is a risk that the tree moves quickly before or after you cut it. Serious injury can occur if you are in an incorrect position or if you cut incorrectly.

- If you must cut across tree/branch, make 2 to 3 cuts, 1 in. apart and with a depth of 2 in. (Fig. 107)
- Continue to cut more into the tree until the tree/branch bends and the tension is released. (Fig. 108)
- Cut the tree/branch from the opposite side of the bend, after the tension is released.

## Maintenance

### Introduction



**WARNING:** Read and understand the safety chapter before you do maintenance on the product.

The following is a list of the maintenance steps that you must do on the product. See *Maintenance on page 34* for more information.

### Maintenance schedule



**WARNING:** Remove the battery before you do maintenance.

Maintenance	Before use	Weekly	Monthly
Clean the external parts of the product.	X		
Make sure that the power trigger and the power trigger lockout function correctly from a safety point of view.	X		
Clean the chain brake and make sure that it operates safely. Make sure that the chain catcher is not damaged. Replace it if necessary.	X		
Turn the guide bar for more equal wear. Make sure that the lubrication hole in the guide bar is not clogged. Clean the bar groove.	X		

Maintenance	Before use	Weekly	Monthly
Make sure that the cutter and cutter guard have no cracks and that they are not damaged. Replace the cutter or cutter guard if they have cracks or if they have been exposed to impact.	X		
Make sure that the guide bar and saw chain have sufficient oil.	X		
Do a check of the saw chain. Look for cracks and make sure that the saw chain is not rigid or unusually worn. Replace if necessary.	X		
Sharpen the saw chain. Do a check of its tension and condition. Do a check for wear on the drive sprocket and replace is necessary.	X		
Clean the air inlet on the product.	X		
Make sure that the screws and nuts are tight.	X		
Make sure that the user interface works correctly and that it is not damaged.	X		
Use a file to remove burrs from the edges of the guide bar.		X	
Do a check of the connections between the battery and the product. Do a check of the connection between the battery and the battery charger.			X
Empty and clean the oil tank.			X
Blow through the product and battery cooling slots gently with compressed air.			X

## Maintenance and checks of the safety devices on the product

### To do a check of the front handguard

Regularly do a check of the front handguard and the inertia brake release.

1. Make sure that the front handguard does not have cracks or other damages. (Fig. 109)
2. Make sure that the front handguard moves freely and that it is attached safely to the product. (Fig. 110)
3. Put the product, with the motor off, on a stump or other stable surface.
4. Hold the rear handle and let go of the front handle. Let the product fall against the stump. (Fig. 111)
5. Make sure that the chain brake engages when the guide bar hits the stump.

### To do a check of the chain brake

1. Put the product on stable ground.



**WARNING:** Make sure that the saw chain does not touch the ground or other objects.

2. Push and hold the on/off button to set the product to On.
3. Wrap your fingers and thumbs around the handles and hold the product tight. (Fig. 112)

4. Apply full power and tilt your left wrist against the front handguard to engage the chain brake. The saw chain must stop immediately. (Fig. 113)



**WARNING:** Do not let go of the front handle!

### To do a check of the power trigger lockout

The power trigger lockout prevents accidental start. When you push the power trigger lockout (A), it releases the power trigger (B). When you release the handle, the power trigger and the power trigger lockout move back to their initial positions. (Fig. 114)

1. Make sure that the power trigger is locked when the power trigger lockout is in its initial position. (Fig. 115)
2. Push the power trigger and make sure that it moves back to its initial position when you release it. (Fig. 116)
3. Make sure that the power trigger and the power trigger lockout moves freely and that the return spring works correctly. (Fig. 117)
4. Start the product. Refer to *To start the product on page 31*.
5. Release the power trigger and make sure that the saw chain stops fully.

## To do a check of the chain catcher

1. Make sure that there is no damage on the chain catcher. (Fig. 118)
2. Make sure that the chain catcher is stable and attached to the body of the product.

## To do a check of the functions of the user interface

1. Start the product. Refer to *To start the product on page 31*. (Fig. 68)
2. Push and hold the on/off button.
3. Make sure that the product stops and that the LEDs go off.

## To do a check of the battery and the battery holder

1. Clean the battery and the battery holder with a soft brush.
2. Clean the cooling slots and battery connectors. (Fig. 119)
3. Make sure that the battery has no cracks or other damages.

## To do a check of the battery charger

1. Make sure that the battery charger and the power supply cord is not damaged. Look for cracks and other damages. (Fig. 120)

## To clean the cooling system

The cooling system keeps the motor temperature down. The cooling system includes the air intake on the left side of the product and a fan on the motor.

1. Clean the cooling system with a brush weekly or more frequently if it is necessary. (Fig. 121)
2. Make sure that the cooling system is not dirty or blocked.



**CAUTION:** A dirty or blocked cooling system can cause the product to become too hot. This causes damage to the product.

## To sharpen the saw chain

### Information about the guide bar and saw chain



**WARNING:** Use protective gloves when you use or do maintenance on the saw chain. A saw chain that does not move can also cause injuries.

Replace a worn or damaged guide bar or saw chain with the guide bar and saw chain combination recommended by Husqvarna. This is necessary to keep the safety

functions of the product. Refer to *Accessories on page 41*, for a list of replacement bar and chain combinations that we recommend.

- Guide bar length, in/cm. Information about the guide bar length can usually be found on the rear end of the guide bar.

(Fig. 122)

- Number of teeth on bar tip sprocket (T).

(Fig. 123)

- Chain pitch, in. The distance between the drive links of the saw chain must align with the distance of the teeth on the bar tip sprocket and drive sprocket.

(Fig. 124)

- Number of drive links. The number of drive links is decided by the type of guide bar.

(Fig. 125)

- Bar groove width, in/mm. The groove width in guide bar must be the same as the chain drive links width.

(Fig. 126)

- Chain oil hole and hole for chain tensioner. The guide bar must align with product.

(Fig. 127)

- Drive link width, mm/in.

(Fig. 128)

## General information about how to sharpen the cutters

Do not use a blunt saw chain. If the saw chain is blunt, you must apply more pressure to push the guide bar through the wood and it stresses the engine unnecessarily. With a blunt saw chain you risk to shorten the lifetime of the chainsaw. If the saw chain is very blunt, there will be no wood chips but only fine sawdust.

A sharp saw chain eats through the wood and the wood chips becomes long and thick.

The cutting tooth (A) and the depth gauge (B) together makes the cutting part of the saw chain, the cutter. The difference in height between the two gives the cutting depth (depth gauge setting).

(Fig. 129)

When you sharpen the cutter, think about the following:

- Filing angle.

(Fig. 130)

- Cutting angle.

(Fig. 131)

- File position.

(Fig. 132)

- Round file diameter.

(Fig. 133)

It is not easy to sharpen a saw chain correctly without the correct equipment. Use a Husqvarna recommended file gauge. This will help you to keep maximum cutting performance and the kickback risk at a minimum.



**WARNING:** The force of the kickback increases a lot if you do not follow the sharpening instructions.

**Note:** Refer to *Accessories on page 41* for information about sharpening of the saw chain.

### To sharpen the cutters

1. Use a round file and a file gauge to sharpen the cutting teeth. (Fig. 134)

**Note:** Refer to *Accessories on page 41* for information about which file and gauge that Husqvarna recommends for your saw chain.

2. Apply the file gauge correctly on to the cutter. Refer to the instruction supplied with the file gauge.
3. Move the file from the inner side of the cutting teeth and out. Decrease the pressure on the pull stroke. (Fig. 135)
4. Remove material from one side of all the cutting teeth.
5. Turn the product around and remove material on the other side.
6. Make sure that all cutting teeth are the same length.

### General information about how to adjust the depth gauge setting

The depth gauge setting (C) decreases when you sharpen the cutting tooth (A). To keep maximum cutting performance you must remove filing material from the depth gauge (B) to receive the recommended depth gauge setting. See *Accessories on page 41* for instructions about how to receive the correct depth gauge setting for your saw chain.

(Fig. 136)



**WARNING:** The risk of kickback increases if the depth gauge setting is too large!

### To adjust the depth gauge setting

Before you adjust the depth gauge setting or sharpen the cutters, refer to *To sharpen the cutters on page 37*, for instructions. We recommend you to adjust the depth gauge setting after each third operation that you sharpen the cutting teeth.

We recommend that you use our depth gauge tool to receive the correct depth gauge setting and bevel for the depth gauge.

(Fig. 137)

1. Use a flat file and a depth gauge tool to adjust the depth gauge setting. Only use a Husqvarna recommended depth gauge tool to get the correct depth gauge setting and bevel for the depth gauge.
2. Put the depth gauge tool on the saw chain.

**Note:** See the package of the depth gauge tool for more information about how to use the tool.

3. Use the flat file to remove the part of the depth gauge that extends through the depth gauge tool. (Fig. 138)

### To adjust the tension of the saw chain



**WARNING:** A saw chain without the correct tension can come loose from the guide bar and cause serious injury or death.

The more you use a saw chain the longer it becomes. It is important to adjust the saw chain regularly.

Do a check of the saw chain tension each time you refill with chain oil.

**Note:** A new saw chain has a running-in period during which you must do a check of the tension more frequently.

1. Fold the bar knob out until it opens. (Fig. 139)
2. Turn the bar knob counterclockwise to loosen the drive sprocket cover. (Fig. 140)
3. Turn the chain tensioner wheel to adjust the tension on the saw chain. The saw chain must be tight against the guide bar. (Fig. 141)

**Note:** Turn the wheel forward (+) for more tension and rearward (-) for less tension. The saw chain is tightened correctly when you can turn it easily by hand but is tight against the guide bar.

4. Turn the bar knob clockwise to tighten the bar knob. (Fig. 142)
5. Fold down the bar knob to lock the tension. (Fig. 143)

### To do a check of the saw chain lubrication

Do a check of the saw chain lubrication each third battery charge.

1. Start the product and let it run at full power. Hold the bar approximately 20 cm (8 inches) above a light colored surface.

2. If the saw chain lubrication is correct, you will see a clear line of oil on the surface after 1 minute. (Fig. 144)
3. If the saw chain lubrication is not correct, do the following checks.
  - a) Do a check of the oil channel in the guide bar to make sure that it is not blocked. Clean if necessary. (Fig. 145)
  - b) Do a check of the groove in the edge of the guide bar to make sure that it is clean. Clean if necessary. (Fig. 146)
  - c) Make sure that the bar tip sprocket turns freely and that the lubricating hole in the guide bar tip sprocket is not blocked. Clean and lubricate if necessary. (Fig. 147)
4. If the saw chain lubrication does not work after following the steps above, speak to your servicing dealer.

### To do a check of the chain drive sprocket

- Examine the chain drive sprocket for wear. Replace the chain drive sprocket if it is necessary.
- Replace the chain drive sprocket each time that you replace the saw chain. (Fig. 148)

### To examine the cutting equipment

1. Make sure that there are no cracks in rivets and links and that no rivets are loose. Replace if it is necessary. (Fig. 149)

2. Make sure that the saw chain is easy to bend. Replace the saw chain if it is rigid.
3. Compare the saw chain with a new saw chain to examine if the rivets and links are worn.
4. Replace the saw chain when the longest part of the cutting tooth is less than 4 mm/0.16 in. Also replace the saw chain if there are cracks on the cutters. (Fig. 150)

### To do a check of the guide bar

1. Make sure that the oil channel is not blocked. Clean the oil channel if it is necessary. (Fig. 145)
2. Examine if there are burrs on the edges of the guide bar. Remove the burrs using a file. (Fig. 151)
3. Clean the groove in the guide bar. (Fig. 146)
4. Examine the groove in the guide bar for wear. Replace the guide bar if it is necessary. (Fig. 152)
5. Examine if the guide bar tip is rough or very worn. (Fig. 153)
6. Make sure that the bar tip sprocket turns freely and that the lubricating hole in the bar tip sprocket is not blocked. Clean and lubricate if it is necessary. (Fig. 147)
7. Turn the guide bar daily to extend its life cycle. (Fig. 154)

---

**Note:** Refer to *To assemble the guide bar and saw chain on page 28*

---



---

## Troubleshooting

---

### User interface

LED screen	Possible faults	Possible solution
The warning indicator flashes.	Temperature deviation.	Let the product cool down.
	Overload. The saw chain can not move.	Release the saw chain.
	The power trigger and the on/off button are pushed at the same time.	Release the power trigger to activate the product.
Orange activate LED flashing.	Low battery voltage.	Charge the battery.
The warning indicator is on.	N/A	Speak to your servicing dealer.

LED screen	Possible faults	Possible solution
The brake indicator is on/ flashes.	The chain brake is engaged.	Disengage the chain brake.

## Battery

LED display	Possible faults	Possible solution
Green LED flashes.	Low battery voltage.	Charge the battery.
Error LED flashes.	Temperature deviation.	Use the battery in temperatures between -10°C (14°F) and 40°C (104°F).
	Too much voltage.	Make sure that the mains voltage aligns with the voltage of the product. Refer to the rating plate on the product.
		Remove the battery from the battery charger.
Error LED comes on.	Too much cell difference (1V).	Speak to your servicing dealer.

## Battery charger

Condition	Possible faults	Possible procedure
The charging LED is red.	Permanent battery charger error.	Speak to your dealer.
The charging LED flashes green.	Temperature deviation, the battery is too cold or too hot to use or charge.	Let the battery cool down or warm it up. When the battery has the correct temperature, it can be used or charged again. Use the battery charger in ambient temperatures between 5 °C (41 °F) and 40 °C (104 °F).
The charging LED flashes red.	Faulty battery	Speak to your dealer

---

## Transportation, storage and disposal

---

### Transportation and storage

- The supplied Li-ion batteries obey the Dangerous Goods Legislation requirements.
- Obey the special requirement on package and labels for commercial transportation, including by third parties and forwarding agents.
- Speak to a person with special training in dangerous material before you send the product. Obey all applicable national regulations.
- Use tape on open contacts when you put the battery in a package. Put the battery in the package tightly to prevent movement.
- Remove the battery for storage or transportation.

- Put the battery and the battery charger in a space that is dry and free from moisture and frost.
- Do not keep the battery in an area where static electricity can occur. Do not keep the battery in a metal box.
- Put the battery in storage where the temperature is between 5°C/41°F and 25°C/77°F and away from open sunlight.
- Put the battery charger in storage where the temperature is between 5 °C/41 °F and 45°C/113°F and away from open sunlight.
- Use the battery charger only when the surrounding temperature is between 5°C/41°F and 40°C/104°F.
- Put the product in storage where the temperature is between -40°C/-40°F and 60°C/140°F
- Charge the battery 30% to 50% before you put it in storage for long periods.
- Put the battery charger in storage in a space that is closed and dry.
- Keep the battery away from the battery charger during storage. Do not let children and other not approved persons to touch the equipment. Keep the equipment in a space that you can lock.

- Clean the product and do a full servicing before you put the product in storage for a long time.
- Use the transportation guard on the product to prevent injuries or damage on the product during transportation and storage.
- Attach the product safely during transportation.

## Disposal

The symbol means that the product is not domestic waste. Recycle it through your local collection system for electrical and electronic equipment. This contributes to proper end of life waste management. Contact local authorities, domestic waste services, your dealer or retailer for information. Incorrect disposal may have potential negative effects on the environment and human health, due to the potential presence of hazardous substances.

(Fig. 23)

**Note:** The symbol shows on the product or package of the product.

---

## Technical data

---

### Technical data

	<b>215i</b>
<b>Motor</b>	
Type	BLDC (brushless) 36V
<b>Features</b>	
Low energy mode	SavE
<b>Lubrication system</b>	
Type of oil pump	Automatic
Oil tank capacity, l/cm <sup>3</sup>	0.13/130
<b>Weight</b>	
Chainsaw without battery, guide bar, saw chain and empty chain oil tank, kg	2.4
<b>Saw chain/guide bar</b>	
Recommended bar lengths, in/cm	10-12/25.4-30.5
Usable cutting length, in/cm	9-11/22.9-28
Type of drive sprocket/number of teeth	Spur/7
Maximum chain speed / (Normal mode), m/s	14.6
Maximum chain speed / (SavE mode), m/s	11.7

	<b>215i</b>
<b>Noise emissions</b> <sup>2</sup>	
Sound power level, measured dB(A)	92
Sound power level, guaranteed L <sub>WA</sub> dB(A)	95
<b>Sound levels</b> <sup>3</sup>	
Sound pressure level at the operator's ear, measured according to EN 62841-4-1	84
<b>Vibration levels</b> <sup>4</sup>	
Front handle m/s <sup>2</sup>	3.2
Rear handle m/s <sup>2</sup>	2.0

**Note:** The declared vibration total value and declared noise emission values have been measured in accordance with a standard test method and can be used for comparing one tool with another.

**Note:** The declared vibration total value and declared noise emission values can also be used in a preliminary assessment of exposure.

**Note:** The vibration emission and noise emission during actual use of the product can differ from the declared total value depending on how the product is used. It is necessary to identify safety measures to protect the operator, based on an estimation of exposure in the actual conditions of use. Include all parts of the operation cycle in the estimation, such as the times when the product is switched off and when it is running idle in addition to the trigger time.

## Accessories

### Guide bar and saw chain combinations

The following cutting attachments are approved for Husqvarna 215i.

Guide bar					Saw chain	
Type	Length, in	Chain pitch, in	Gauge, mm	Max. nose radius	Type	Length, drive links (no.)
529340760	10	1/4" mini	1.1	8T	Husqvarna SP11G(52934 0660)	60

<sup>2</sup> Noise emissions in the environment measured as sound power (L<sub>WA</sub>) in conformity with EC directive 2000/14/EC, has a typical statistical dispersion (standard deviation) of 3 dB (A).

<sup>3</sup> Reported data for sound pressure level for the machine has a typical statistical dispersion (standard deviation) of 3 dB (A).



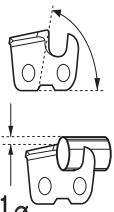


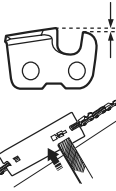
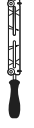
<sup>4</sup> Vibration level, according to EN 62841-4-1. Reported data for vibration level has a typical statistical dispersion (standard deviation) of ± 1.5 m/s<sup>2</sup>. Declared vibration data from measurements when the machine is fitted with a bar length and recommended chain type. If the machine is fitted with a different bar length, the vibration level may vary by max ± 1.5 m/s<sup>2</sup>.

Guide bar					Saw chain	
Type	Length, in	Chain pitch, in	Gauge, mm	Max. nose radius	Type	Length, drive links (no.)
529340768	12	1/4" mini	1.1	8T	Husqvarna SP11G (529340668)	68

## Filing equipment and filing angles

Use a Husqvarna file gauge to sharpen the saw chain. A Husqvarna file gauge makes sure that you get the correct filing angles. The part numbers are given in the table below.

If you are not sure how to identify the type of saw chain on your product, refer to [www.husqvarna.com](http://www.husqvarna.com) for more information.

						
	mm/in	1/5 ∅			mm/in	
SP11G	3.5 / 9/64	60°	30°	0°	0.4/0.016	5299371-01

## Approved batteries

<b>Battery</b>	<b>40-B70</b>
Type	Lithium-ion
Battery capacity, Ah	2
Nominal voltage, V	36
Weight, kg	0.8

## Approved battery chargers for the product

<b>Battery charger</b>	<b>40-C80</b>
Mains voltage, V	100-240
Frequency, Hz	50-60
Power, W	72
Output Voltage, V d.c./ Amps, A	43/1.6

---

# Declaration of Conformity

---

## EU Declaration of Conformity

We, **Husqvarna AB**, SE-561 82 Huskvarna, Sweden,  
tel: +46-36-146500, declare on our sole responsibility  
that the product:

<b>Description</b>	Cordless chainsaw
<b>Brand</b>	Husqvarna
<b>Type / Model</b>	215i
<b>Identification</b>	Serial numbers dating from 2025 and onwards

is in conformity with the following EU directives and  
regulations as amended:

<b>Directive/Regulation</b>	<b>Description</b>
2006/42/EC	"relating to machinery"
2014/30/EU	"relating to electromagnetic compatibility"
2011/65/EU	"on the restriction of the use of certain hazardous substances in electrical and electronic equipment"
2000/14/EC	"relating to the noise emissions in the environment"

The following standards have been applied: EN  
62841-1:2015+A11:2022, EN 62841-4-1:2020, EN  
IEC 63000:2018, EN IEC 55014-1:2021, EN IEC  
55014-2:2021.

Notified body: TÜV Rheinland LGA Products GmbH,  
Tillystrasse 2, D-90431 Nuernberg, Germany, 0197, has  
carried out EC type examination in accordance with the  
machinery directive's (2006/42/EC) article 12, clause 3b.  
The certificate has the number: BM 50697463 0001.

The supplied chainsaw conforms to the example that  
underwent EC type examination.

In accordance with directive 2000/14/EC, Annex V, refer  
to *Technical data on page 40* for the declared sound  
values.

Huskvarna, 2025-12-05



Claes Losdal, R&D Manager, Husqvarna AB

Responsible for technical documentation

