

PS 1.0

STIHL



2 - 11	Gebrauchsanleitung	182 - 191	οδηγίες χρήσης
11 - 19	Instruction Manual	191 - 200	Kullanma talimatı
19 - 29	Notice d'emploi	200 - 207	説明書
29 - 39	Manual de instrucciones	207 - 214	操作说明书
39 - 48	Uputa za uporabu	214 - 223	取扱説明書
48 - 56	Skötselanvisning	223 - 232	Instrukcja użytkowania
56 - 65	Käyttöohje	232 - 241	Kasutusjuhend
65 - 74	Istruzioni d'uso	241 - 250	Ekspluatavimo instrukcija
74 - 82	Betjeningsvejledning	250 - 260	Ръководство за употреба
82 - 91	Bruksanvisning	260 - 270	Instrucțiuni de utilizare
91 - 100	Návod k použití	270 - 279	Uputstvo za upotrebu
100 - 109	Használati utasítás	279 - 288	Navodilo za uporabo
109 - 118	Instruções de serviço		
118 - 127	Návod na obsluhu		
127 - 136	Manual de instruções de serviços		
136 - 144	Handleiding		
144 - 155	Инструкция по эксплуатации		
155 - 164	Lietošanas instrukcija		
164 - 174	Інструкція з експлуатації		
174 - 182	사용 설명서		



► Nicht mit dem Hausmüll entsorgen.

17 Adressen

STIHL Hauptverwaltung

ANDREAS STIHL AG & Co. KG
Postfach 1771
D-71307 Waiblingen

STIHL Vertriebsgesellschaften

DEUTSCHLAND

STIHL Vertriebszentrale AG & Co. KG
Robert-Bosch-Straße 13
64807 Dieburg
Telefon: +49 6071 3055358

ÖSTERREICH

STIHL Ges.m.b.H.
Fachmarktstraße 7
2334 Vösendorf
Telefon: +43 1 86596370

SCHWEIZ

STIHL Vertriebs AG
Isenrietstraße 4
8617 Mönchaltorf
Telefon:+41 44 9493030

Contents

1	Introduction.....	11
2	Guide to Using this Manual.....	11
3	Overview.....	12
4	Safety Precautions.....	12
5	Preparing power station for operation.....	15
6	Charging, discharging the battery and LEDs.....	15
7	Removing and Fitting the Battery.....	16
8	After Finishing Work.....	16
9	Transporting.....	17
10	Storing.....	17
11	Cleaning.....	17
12	Maintenance and Repairs.....	17
13	Troubleshooting.....	17
14	Specifications.....	18
15	Spare Parts and Accessories.....	19
16	Disposal.....	19
17	Addresses.....	19

1 Introduction

Dear Customer,

Thank you for choosing STIHL. We develop and manufacture our quality products to meet our customers' requirements. The products are

designed for reliability even under extreme conditions.

STIHL also stands for premium service quality. Our dealers guarantee competent advice and instruction as well as comprehensive service support.

STIHL expressly commit themselves to a sustainable and responsible handling of natural resources. This user manual is intended to help you use your STIHL product safely and in an environmentally friendly manner over a long service life.

We thank you for your confidence in us and hope you will enjoy working with your STIHL product.

Dr. Nikolas Stihl

IMPORTANT! READ BEFORE USING AND KEEP IN A SAFE PLACE FOR REFERENCE.

2 Guide to Using this Manual

2.1 Applicable Documentation

Local safety regulations apply.

- Read, understand and save the following documents in addition to this instruction manual:
 - Safety information for STIHL batteries and products with built in batteries:
www.stihl.com/safety-data-sheets

2.2 Symbols used with warnings in the text



WARNING

- This symbol indicates dangers that can cause serious injuries or death.
 - The measures indicated can avoid serious injuries or death.



NOTICE

- This symbol indicates dangers that can cause damage to property.
 - The measures indicated can avoid damage to property.

2.3 Symbols in Text

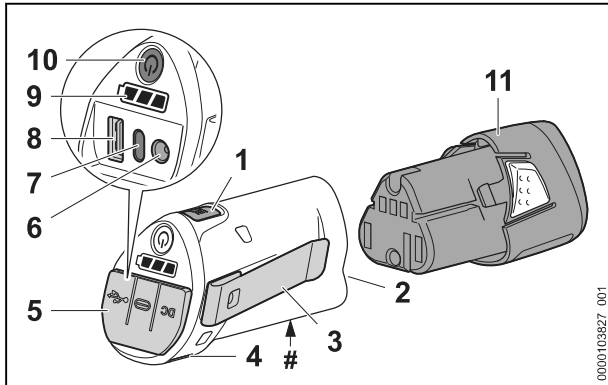


This symbol refers to a chapter in this instruction manual.

3 Overview

3.1 Power station

The battery is not included in the scope of delivery of the power station.



1 Pushbutton E/D

The pushbutton switches the lamp on and off.

2 Battery compartment

The battery compartment holds the battery.

3 Holder

The holder is used to attach the power station to clothing.

4 Lamp

The lamp lights up the work area.

5 Cover

Covers the connectors.

6 DC socket

Serves to connect a DC cable.

7 USB-C port

The USB-C port serves to connect a USB-C cable or a USB-C adapter.

8 USB-A port

The USB-A port serves to connect a USB-A cable or a USB-A adapter.

9 LEDs

The LEDs indicate the state of charge of the battery and any errors.

10 Pushbutton P

The pushbutton activates the LEDs on the power station switches between charge and discharge mode.

11 Battery

The battery supplies power to the power station.

Rating plate with machine number

3.2 Symbols

Symbols that may be on the power station and battery mean the following:



This product is designed for use with a STIHL battery. Permissible batteries are listed in this User Manual.



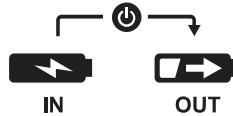
The battery must be recharged with a STIHL charger. Permissible chargers are listed in this User Manual.



The information next to this symbol indicates the energy content of the battery according to the cell manufacturer's specification. The energy content available in operation is lower.



Do not dispose of the product with domestic waste.



By pressing the pushbutton P , you can switch between charging and discharging the battery.

4 Safety Precautions

4.1 Warning Signs

4.1.1 Power station

The warning symbols on the power station mean the following:



Observe safety notices and take the necessary precautions.



Read and understand the User Manual and keep it in a safe place for reference.



Protect power station from rain and dampness.

4.1.2 Battery

Meaning of warning symbols on the battery:



Observe safety notices and take the necessary precautions.



Read and understand the User Manual and keep it in a safe place for reference.




Protect the battery against heat and fire.



Do not immerse the battery in liquids.

4.2 Intended Use

The STIHL PS 1.0 power station charges a STIHL AS battery or supplies power to an electric power tool with a USB-A port, a USB-C port and a DC connection.

The power station may be used to operate a heated jacket with a maximum power of 27 W,  14.1.

In discharge mode, the STIHL AS battery supplies to power to the power station.

The power station must not be used in the rain.

WARNING

- Using the power station and battery for purposes for which they are not designed may result in serious or fatal injuries or damage to property.
 - ▶ Use the power station and battery as described in this User Manual.

4.3 Work Area and Surroundings

4.3.1 Power station

WARNING

- Children and animals are unable to recognize and assess the dangers of the power station. Children and animals may be severely injured and damage to property may occur.
 - ▶ Keep children and animals away from the working area.
 - ▶ Make sure that children cannot play with the power station.
- The power station is not waterproof. If you work in the rain or in a damp environment, an electric shock may occur. This can result in injuries to the user and may damage the power station.



- ▶ Do not work in the rain or in a damp environment.
- Electrical components of the power station can produce sparks. Sparks may cause fires and explosions in highly flammable or explosive environments. Persons may be seriously or fatally injured, and property may be damaged.
 - ▶ Do not work in a highly flammable or explosive environment.

4.3.2 Battery

WARNING


- Bystanders, children and animals cannot recognize or assess the dangers of the battery.

Bystanders, children and animals may be seriously injured.

- ▶ Keep bystanders, children and animals away from the work area.
- ▶ Do not leave the battery unattended.
- ▶ Make sure that children cannot play with the battery.
- The battery is not protected against all ambient conditions. If the battery is exposed to certain ambient conditions, the battery may catch fire, explode or be irreparably damaged. This may result in serious injury to people and damage to property.



- ▶ Protect battery from heat and fire.
- ▶ Do not throw the battery into a fire.

- ▶ Do not charge, use and store the battery outside of the specified temperature limits,  14.3.



- ▶ Do not immerse the battery in liquids.

- ▶ Keep battery away from small metal parts.
- ▶ Do not expose the battery to high pressure.
- ▶ Do not expose the battery to microwaves.
- ▶ Protect the battery against chemicals and salts.

4.4 Safe Condition

4.4.1 Power station

The power station is in safety-compliant condition if the following conditions are met:

- The power station is undamaged.
- The power station is clean.
- The power station functions and is unchanged.
- This power station is equipped with original STIHL accessories.
- The accessories are correctly installed.

WARNING

- In non-safety-compliant condition, the power station can no longer function safely. People may suffer serious injuries as a result.
 - ▶ Work with an undamaged and functioning power station.
 - ▶ If the power station is dirty: Clean the power station.
 - ▶ Do not modify the power station.
 - ▶ Use original STIHL accessories for this power station.
 - ▶ Install accessories as described in this User Manual or in the User Manual for the accessories.


- ▶ Do not insert objects into the openings of the power station.
- ▶ Replace worn or damaged warning signs.
- ▶ If you are unsure: Contact a STIHL authorized dealer.

4.4.2 Battery

The battery is in a safe condition if the following points are observed:

- Battery is undamaged.
- The battery is clean and dry.
- Battery functions properly and has not been modified.

⚠ WARNING

- A battery that is not in a safe condition cannot operate safely. Persons may be seriously injured.
 - ▶ Never work with a damaged battery.
 - ▶ Never attempt to charge a damaged or defective battery.
 - ▶ If the battery is dirty: Clean the battery.
 - ▶ If the battery is wet or damp: Allow the battery to dry,  14.4.
 - ▶ Never attempt to modify the battery.
 - ▶ Never insert objects in the battery's openings.
 - ▶ Never bridge the battery's contacts with metallic objects (short circuit).
 - ▶ Do not open the battery.
 - ▶ Replace worn or damaged labels.
- Fluid may leak from a damaged battery. If that liquid comes into contact with the skin or eyes, the skin or eyes may be irritated.
 - ▶ Avoid contact with the liquid.
 - ▶ If skin contact occurs: Wash affected areas of skin with plenty of water and soap.
 - ▶ In the event of contact with eyes: Rinse eyes with plenty of water for at least 15 minutes and consult a doctor.
- A damaged or defective battery may smell unusual, emit smoke or burn. Persons may be seriously or fatally injured, and property may be damaged.
 - ▶ If the battery smells unusual or emits smoke: do not use the battery and keep it away from combustible substances.
 - ▶ If the battery catches fire: Attempt to extinguish the battery with a fire extinguisher or water.

4.5 Charging

⚠ WARNING

- A damaged or defective power station may emit an unusual smell or smoke. People may be injured or property may be damaged.
 - ▶ Disconnect the charging cable.
- The power station can overheat and cause a fire if heat dissipation is inadequate. Persons may be seriously or fatally injured, and property may be damaged.
 - ▶ Do not cover power station.
 - ▶ Do not use the power station in the vicinity of heat sources.

4.6 Transporting

4.6.1 Power station

⚠ WARNING

- The power station may shift during transport. People may be injured or property may be damaged.
 - ▶ Remove the battery.
 - ▶ Secure the power station so that it cannot move.

4.6.2 Battery

⚠ WARNING

- The battery is not protected against all ambient conditions. The battery may be damaged if it is exposed to certain ambient conditions, and damage to property may occur.
 - ▶ Never transport a damaged battery.
- The battery may turn over or shift during transport. This may result in injury to people and damage to property.
 - ▶ Pack the battery in packaging in such a way that it cannot move.
 - ▶ Secure the packaging so that it cannot move.

4.7 Storing

4.7.1 Power station

⚠ WARNING

- Children are unable to recognize and assess the dangers of the power station. Children may be seriously injured.
 - ▶ Remove the battery.
 - ▶ Store the power station out of the reach of children.
- Dampness can corrode the electrical contacts of the power station and metal components. The power station may become damaged.

- ▶ Remove the battery.
- ▶ Keep the power station clean and dry in storage.
- A connected cable is not intended to be used for carrying or hanging the power station from. The cable or the power station may become damaged.

4.7.2 Battery

⚠ WARNING

- Children are not aware of and cannot assess the dangers of the battery. Children may be seriously injured.
 - ▶ Store the battery out of the reach of children.
- The battery is not protected against all ambient conditions. If the battery is exposed to certain ambient conditions, the battery may be irreparably damaged.
 - ▶ Store the battery in a clean and dry condition.
 - ▶ Store the battery in an enclosed space.
 - ▶ Store the battery separate from the power station.
 - ▶ Do not store the battery outside of the specified temperature limits, [14.3](#).

4.8 Cleaning, maintenance and repair

⚠ WARNING

- Using harsh detergents, and cleaning with a water jet or sharp objects can damage the power station. If the power station is not properly cleaned, parts may no longer function correctly and safety devices may be disabled. People may suffer serious injuries as a result.
 - ▶ Remove the battery.
 - ▶ Clean the power station with a damp cloth.
 - ▶ Remove foreign objects from the battery compartment and clean the battery compartment with a damp cloth.
 - ▶ Use a paintbrush or soft brush to clean the electrical contacts in the battery compartment.
- If the power station is not properly maintained or repaired, components may no longer function correctly, and safety devices may be disabled. Persons may be seriously injured or killed.
 - ▶ Do not maintain or repair the power station yourself.
 - ▶ If the power station requires maintenance or repair, contact a STIHL authorized dealer.

5 Preparing power station for operation

5.1 Preparing power station for operation

The following steps must be performed before commencing work:

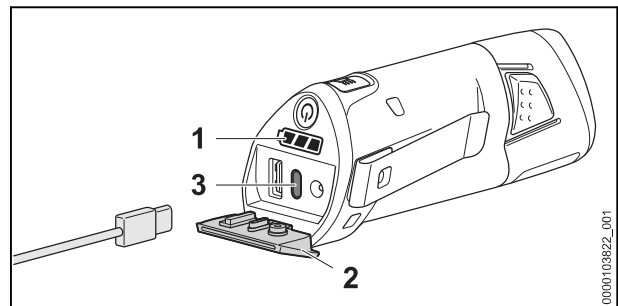
- ▶ Ensure that the following components are in a safe condition:
 - Power station, [14.4.1](#).
 - Battery, [14.4.2](#).

6 Charging, discharging the battery and LEDs

6.1 Charging the battery

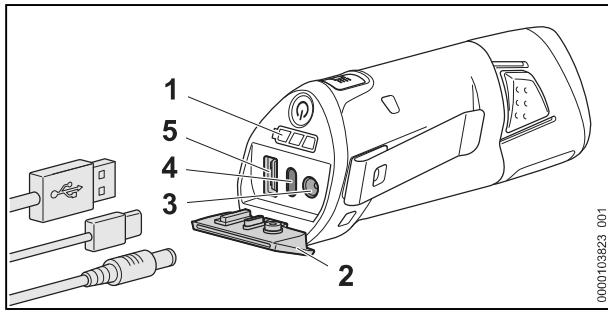
The charging time depends on several factors, e.g. the power supply, voltage source, temperature of the power station and the ambient temperature. For optimal performance, note the recommended temperature ranges, [14.4](#). The actual charging time may vary from the charging time indicated. The charging time is indicated at www.stihl.com/charging-times.

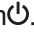
The battery and the power station warm up during charging.



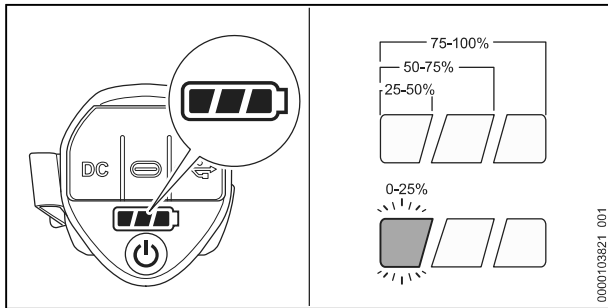
- ▶ Insert the battery.
 - The LEDs (1) are switched off and the power station is in charge mode.
- ▶ Open the cover (2).
- ▶ Plug the charging cable in the USB-C port (3), [14.1](#).
- ▶ Connect the charging cable with a suitable voltage source.
 - Charging starts automatically and the LEDs (1) light up. The battery is charging.
- ▶ When all LEDs (1) light up green continuously:
 - The battery is fully charged.
- ▶ If the power station is no longer used for charging:
 - Remove the plug of the charging cable from the USB-C port (3).


6.2 Discharging the battery



- ▶ Insert the battery.
The LEDs (1) are switched off and the power station is in charge mode.
- ▶ Press the pushbutton .
- The LEDs (1) switch on and the power station switches to discharge mode.
- ▶ Open the cover (2).
- ▶ Insert the plug of the electric power tool in the USB-A port (5), USB-C port (4) or DC socket (3).
The connected electric power tool is charged or can be operated.

6.3 Displaying the state of charge




- ▶ Insert the battery.
- ▶ Press the pushbutton .
- The LEDs switch on and indicate the state of charge. The power station is in discharge mode.
- ▶ If the left LED flashes green: Charge the battery.


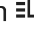
6.4 LEDs on the power station

The LEDs can indicate the state of charge of the battery or any errors. The LEDs may light up or flash green, light up orange or flash red:

If the LEDs light up or flash green, the state of charge of the battery is indicated.

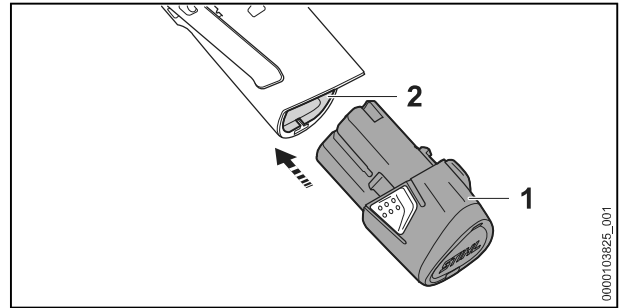
- ▶ If the LEDs light up orange or flash red: Remedy the fault,  13.1.
There is a fault in the power station or in the battery.

6.5 Switching on the lamp

- ▶ Insert the battery.
- ▶ Press the pushbutton .
- The lamp switches on and off in LOW mode.
- ▶ Press the pushbutton  again.
The lamp lights up in HIGH mode.

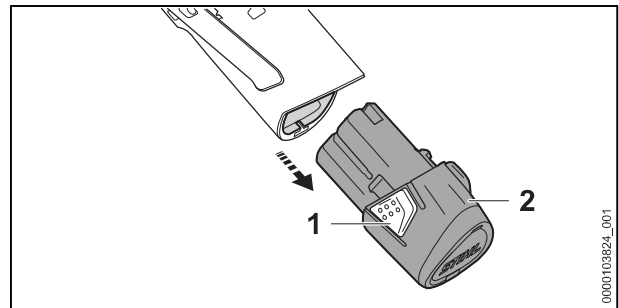
7 Removing and Fitting the Battery

7.1 Inserting the battery



- ▶ Push the battery (1) into the battery compartment (2) as far as stop.
The battery (1) engages in position with a click.


7.2 Removing the battery



- ▶ Depress both locking hooks (1).
The battery (2) is now unlocked and can be removed.

8 After Finishing Work

8.1 After finishing your work

- ▶ Disconnect any connected cables.
- ▶ Close the cover.
- ▶ Remove the battery.
- ▶ If the power station is wet or moist: Leave the power station to dry.
- ▶ If the battery is moist or wet: Allow the battery to dry,  14.4.
- ▶ Clean the battery.

9 Transporting

9.1 Transporting the battery

- ▶ Remove the battery.
- ▶ Check that the battery is in a safe condition.
- ▶ Pack the battery in packaging in such a way that it cannot move inside the packaging.
- ▶ Secure the packaging so that it cannot move.


The battery is subject to the Carriage of Dangerous Goods regulations. The battery is classified as UN 3480 (lithium ion batteries) and has been tested pursuant to UN Manual Tests and Criteria Part III, Subsection 38.3.

The transport regulations can be found at www.stihl.com/safety-data-sheets.

10 Storing

10.1 Storing the battery

STIHL recommends storing the battery in a state of charge between 40% and 60%.


- ▶ The battery should be stored in such a way that the following conditions are met:
 - The battery is out of the reach of children.
 - The battery is clean and dry.
 - The battery is in an enclosed space.
 - The battery is disconnected from the power station.
 - The battery is not stored outside of the specified temperature limits,  14.3.

NOTICE

- If the battery is not stored as described in this user manual, the battery may become deeply discharged and irreparably damaged.
 - ▶ Charge a discharged battery before storing it. STIHL recommends storing the battery in a state of charge between 40% and 60%.
 - ▶ Store the battery separate from the power station.

13 Troubleshooting

13.1 Troubleshooting the power station or the battery

Error	LEDs on the power station	Cause	Remedy
Battery not being charged.	LEDs light up or flash green.	The power station is in discharge mode.	▶ Press the pushbutton  . The power station switches to charge mode.
	1 LED lights up orange.	The battery or power station is too hot or too cold.	▶ Leave the battery inserted in the power station. Charging starts automatically as soon as the permitted temperature range is reached.

11 Cleaning

11.1 Cleaning the Battery

- ▶ Clean the battery with a damp cloth.

12 Maintenance and Repairs

12.1 Servicing and repairing the battery




The battery cannot be serviced or repaired by the user.

- ▶ If the battery is defective or damaged: Replace the battery.

12.2 Servicing and repairing the LED

The LED does not require servicing and cannot be repaired.

- ▶ If the LED is defective or damaged: Replace the power station.

Error	LEDs on the power station	Cause	Remedy
	1 LED flashes red.	Electrical contact between the power station shears and the battery is disconnected.	<ul style="list-style-type: none"> ▶ Disconnect the USB-C cable. ▶ Remove the battery and reinsert it. ▶ Connect USB-C cable. The power station switches to charge mode and charges the battery.
The connected electric power tool does not charge, cannot be operated or cuts out during operation.	1 LED flashes green.	State of charge of the battery is too low.	▶ Charge the battery.
	1 LED lights up orange.	The battery or power station is too hot or too cold.	▶ Leave the battery inserted in the power station. This process starts automatically as soon as the permitted temperature range is reached.
	1 LED flashes red for 5 seconds.	Power consumption of the connected electric power tool is too high.	▶ Check the compatibility of the connected electric power tool.
	1 LED flashes red.	Electrical contact between the power station and the battery is disconnected.	<ul style="list-style-type: none"> ▶ Disconnect any connected cables. ▶ Remove the battery and reinsert it. ▶ Connect cable. ▶ Press the pushbutton . The power station switches to discharge mode.
		There is a fault in the power station or in the battery.	<ul style="list-style-type: none"> ▶ Disconnect any connected cables. ▶ Remove the battery. ▶ Clean the electrical contacts in the battery compartment. ▶ Insert the battery. ▶ Press the pushbutton . ▶ If 1 LED continues to flash red: Do not use power station and battery and contact a STIHL authorized dealer.
	-	The power station or the battery is moist.	▶ Leave power station or battery to dry,  14.4.
-	The battery life has been exceeded.	▶ Replace the battery.	

14 Specifications

14.1 STIHL PS 1.0 power station

- Approved battery: STIHL AS
- Ports: USB-A, USB-C, DC
- Rated voltage: see rating plate
- Frequency: see rating plate
- Rated power: see rating plate
- Charging current: See rating plate
- Approved charging cable: USB-C cable, suitable for Power Delivery (PD), at least 30 W
- Permitted power supply: USB-C, 45 W (e.g., Samsung EP-T4510)
- Permitted heated working apparel:
 - Maximum power: 27 W
 - Permitted voltage: 10.8 V
 - Permitted charging current²: 2.5 A

For charging times, see www.stihl.com/charging-times.

14.2 STIHL AS Battery

- Battery Technology: Lithium-ion
- Voltage: 10.8 V
- Capacity in Ah: see rating label
- Energy content in Wh: see rating label
- Weight in kg: see rating label

²The actual charging current depends on the setting of the heated working apparel.

14.3 Temperature limits



WARNING

- The battery is not protected against all ambient conditions. If the battery is exposed to certain environmental conditions, it may catch fire or explode. This may result in serious injury to people and damage to property.
 - ▶ Do not charge the battery below -20°C or above 50°C .
 - ▶ Do not use the power station or battery below -20°C or above 50°C .
 - ▶ Do not store the power station or battery below -20°C or above 70°C .

14.4 Recommended temperature ranges

For optimal performance of the power station and battery observe the following temperature ranges:

- Charging: 5°C to 40°C
- Use: -10°C to 40°C
- Storage: -20°C to $+50^{\circ}\text{C}$

If the battery is charged, used or stored outside the recommended temperature ranges, performance may be restricted.

If the battery is wet or moist, allow the battery to dry for at least 48 h between 15°C and 50°C and with less than 70% humidity. Higher humidity levels may extend the drying time.


14.5 REACH

REACH is an EC regulation and stands for the Registration, Evaluation, Authorisation and Restriction of Chemical substances.

For information on compliance with the REACH regulation see www.stihl.com/reach.

15 Spare Parts and Accessories

15.1 Spare parts and accessories

STIHL  These symbols indicate original STIHL spare parts and original STIHL accessories.

STIHL recommends the use of original STIHL spare parts and accessories.

Despite ongoing market observation, STIHL is unable to judge the reliability, safety and suitability of other manufacturers' spare parts and accessories; accordingly, STIHL cannot warrant for the use of those parts.

Original STIHL spare parts and original STIHL accessories are available from STIHL dealers.

16 Disposal

16.1 Disposal of the power station and the battery

Contact local authorities or a STIHL authorized dealer for information about disposal.

Improper disposal can be harmful to health and pollute the environment.

- ▶ Take STIHL products including packaging to a suitable collection point for recycling in accordance with local regulations.
- ▶ Do not dispose with domestic waste.

17 Addresses

www.stihl.com

Table des matières

1	Préface.....	19
2	Informations concernant la présente Notice d'emploi.....	20
3	Vue d'ensemble.....	20
4	Prescriptions de sécurité.....	21
5	Préparatifs pour la mise en service de l'alimentation électrique portable.....	24
6	Recharge, décharge de la batterie et DEL25	
7	Introduction et extraction de la batterie.....	26
8	Après le travail.....	26
9	Transport.....	26
10	Rangement.....	26
11	Nettoyage.....	27
12	Maintenance et réparation.....	27
13	Dépannage.....	27
14	Caractéristiques techniques.....	28
15	Pièces de rechange et accessoires.....	29
16	Mise au rebut.....	29
17	Adresses.....	29

1 Préface

Chère cliente, cher client,

Nous vous remercions d'avoir choisi un produit STIHL. Dans le développement et la fabrication de nos produits, nous mettons tout en œuvre pour garantir une excellente qualité répondant aux besoins de nos clients. Nos produits se distinguent par une grande fiabilité, même en cas de sollicitations extrêmes.