

TS 480i, 500i

STIHL



2 - 35 Instruction Manual
35 - 73 Notice d'emploi



Contents

1	Introduction.....	2
2	Guide to Using this Manual.....	2
3	Safety Precautions and Working Techniques.....	3
4	Sample Applications.....	10
5	Cutting Wheels.....	13
6	Composite Abrasive Wheels.....	14
7	Diamond Abrasive Wheels.....	14
8	Electronic Water Control.....	16
9	Assembling the cast arm and guard	17
10	Tensioning the ribbed V-belt.....	21
11	Mounting an Abrasive Wheel.....	22
12	Fuel.....	23
13	Fueling.....	23
14	Starting / Stopping the Engine.....	25
15	Air Filter System.....	26
16	Engine Management.....	27
17	STIHL Injection.....	27
18	Spark Arresting Screen in Muffler.....	27
19	Spark Plug.....	27
20	Replacing the V-belt.....	28
21	Cut-off Machine Cart.....	29
22	Storing the Machine.....	29
23	Maintenance and Care.....	30
24	Main Parts.....	31
25	Specifications.....	32
26	Maintenance and Repairs.....	33
27	Disposal.....	33
28	STIHL Limited Emission Control Warranty Statement.....	34

1 Introduction

Dear Customer,

Thank you for choosing a quality engineered STIHL product.

It has been built using modern production techniques and comprehensive quality assurance. Every effort has been made to ensure your satisfaction and trouble-free use of the product.

Please contact your dealer or our sales company if you have any queries concerning this product.

Your

Dr. Nikolas Stihl

2 Guide to Using this Manual

2.1 Pictograms

Pictograms that appear on the machine are explained in this Instruction Manual.

Depending on the machine and equipment version, the following pictograms may appear on the machine.



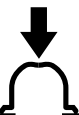
Fuel tank; fuel mixture of gasoline and engine oil



Actuate decompression valve



Actuate manual fuel pump



Water connection, shut-off cock



Tensioning nut for belt



Pull starter grip

2.2 Symbols in text



WARNING

Warning where there is a risk of an accident or personal injury or serious damage to property.

NOTICE

Caution where there is a risk of damaging the machine or its individual components.

2.3 Engineering improvements

STIHL's philosophy is to continually improve all of its products. For this reason we may modify the design, engineering and appearance of our products periodically.

Therefore, some changes, modifications and improvements may not be covered in this manual.

3 Safety Precautions and Working Techniques



Special safety precautions must be taken when working with the cut-off machine due to the very high rotational speed of the abrasive wheel.



Before commissioning, it is important to read and understand the User Manual and to keep it in a safe place for future reference. Non-observance of the safety precautions may result in serious or even fatal injury.

Comply with all applicable local safety regulations, e.g., by employers' liability insurance associations, social insurance systems, occupational safety authorities, etc.

As for employers within the European Community, the provision 2009/104/EC is binding – Safety and health protection with the use of machines and devices by employees at work.

If you have never used a power tool before: have your STIHL dealer or other specialist show you how to operate the machine – or attend one of the special training courses.

Minors should never be allowed to use the motorized device – except for apprentices over the age of 16 when working under supervision.

Children, animals and onlookers must not be allowed near the machine.

When not using the machine, it must be laid down in such a way that it does not endanger anyone. Ensure that the machine cannot be used without authorization.

The user is responsible for accidents or risks involving other persons or their property.

Do not lend or rent out your power tool without the User Manual. Be sure that anyone using it understands the information contained in this manual.

The use of machines that emit noise may be limited to certain hours of the day as specified by national and/or regional or local regulations.

Anyone operating the machine must be well rested, in good physical health and in a good state of mind.

If you have any condition that might be aggravated by strenuous work, check with your doctor before operating a machine.

If you have a pacemaker: The ignition system of your machine produces an electromagnetic field

of very low intensity. This field may interfere with some pacemakers. STIHL recommends that persons with pacemakers consult their physician and the pacemaker manufacturer to minimize any health risk.

Anyone who has consumed alcohol, medications or drugs that impair their ability to react must not operate a power tool.

Postpone the work if the weather is bad (snow, ice, wind) – **higher risk of accidents!**

The machine may only be used for cutting. It is not suitable for cutting wood or wooden objects.

Asbestos dust is extremely toxic - the machine must therefore **never be used to cut asbestos!**

Other uses are not permitted and may lead to accidents or damage to the machine.

Never attempt to modify your power tool in any way since this may increase the risk of personal injury. STIHL excludes all liability for personal injury and damage to property caused while using unauthorized attachments.

Only use abrasive wheels or accessories which have been approved by STIHL for this machine or which are technically equivalent. If you have any questions in this respect, consult your dealer. Only use high-quality abrasive wheels and attachments. in order to avoid the risk of accidents and damage to the machine.

STIHL recommends the use of genuine STIHL abrasive wheels and accessories. They are specifically designed to match the product and meet your performance requirements.

Do not use a high-pressure washer to clean the power tool. The solid jet of water may damage parts of the unit.

Do not spray the power tool with water.



Never use circular saw blades, carbide, rescue or wood cutting attachments or saws of any kind – **these may cause fatal injuries!** Instead of uniformly removing particles as when cutting with an abrasive wheel, the teeth of a circular saw blade may snag in the material. This causes the machine to react in a highly aggressive manner with uncontrolled and extremely dangerous kickback.

3.1 Clothing and equipment

Wear proper protective clothing and equipment.



Clothing must be sturdy but allow complete freedom of movement. Wear close-fitting clothes such as a boiler suit, not a work coat.

When cutting steel, always wear clothing made from hard-to-ignite material (e.g., leather or cotton with flame-retardant finish) – no man-made fibers – **risk of fire due to flying sparks!**

Clothing must be free from flammable deposits (chips, fuel, oil, etc.).

Do not wear clothes that may be caught by moving parts – no scarf, no tie, no jewelry. Tie up and secure long hair above your shoulders.



Wear steel-toed **safety boots** with non-slip soles.



WARNING



To reduce the risk of eye injuries, wear close-fitting safety glasses in accordance with European Standard EN 166. Make sure the safety glasses are a snug fit.

Wear "personal" sound protection, e.g. ear defenders.

Wear a safety hard hat where there is a danger of head injuries from falling objects.

Dust (e. g., crystalline material from the object being cut), fumes and smoke may be produced while cutting - **health hazard!**

Always wear a **dust mask** if dust is generated.

If fumes or smoke are anticipated (e. g., when cutting composite materials), wear **respiratory protection**.



Wear sturdy protective gloves made of a resistant material (e. g. leather).

STIHL offers a comprehensive range of personal protective equipment.

3.2 Transporting the power tool

Always stop the engine.

Carry the device by the handlebar only – abrasive wheel pointing to the rear – hot muffler away from the body.

To **avoid serious burn injuries**, avoid touching hot parts of the machine, especially the surface of the muffler.

Never transport the engine-driven device with attached abrasive wheel – **risk of breakage!**

By vehicle: When transporting in a vehicle, properly secure your machine to prevent turnover, damage and fuel spillage.

3.3 Refueling



Gasoline is highly flammable – keep away from fire or flame – do not spill any fuel – no smoking.

Always **shut off the engine** before refueling.

Do not fuel a hot engine – **fuel may spill and cause a fire.**

Open the fuel cap carefully to allow any pressure build-up in the tank to release slowly and to prevent fuel spraying out.

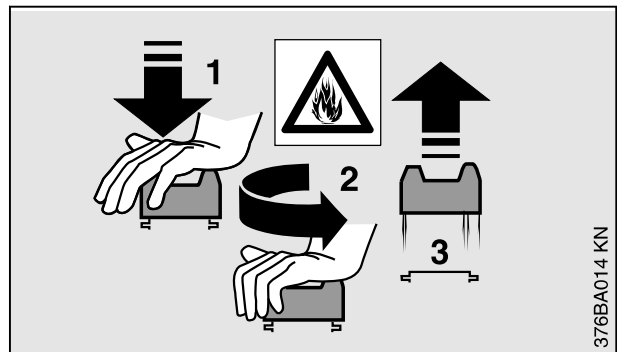
Only refuel the machine in a well ventilated place. If fuel has been spilled, immediately clean the machine – do not allow your clothes to be splashed with fuel. If that happens, change your clothes at once.

Dust may collect on the engine unit. If dust gets mixed with fuel – risk of fire. For this reason, ensure that the dust is always removed.



Check for fuel leakage! Never start the engine if fuel has been spilled or is leaking – **fatal burns may result!**

3.3.1 Bayonet-type fuel cap



Never use a tool to open or close the bayonet-type fuel cap. This could damage the cap and cause fuel to leak out.

Close the bayonet-type fuel cap carefully after refueling.

3.4 Cut-off machine, spindle bearing

Correct spindle bearings ensure the concentricity and axial running of the diamond abrasive wheel

– if necessary, get it checked by an approved dealer.

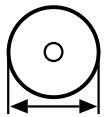
3.5 Abrasive cutting wheels

3.5.1 Selecting the abrasive cutting wheels

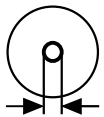
Abrasive cutting wheels must be approved for freehand cutting. Do not use other cutting wheels and attachments – **risk of accident!**

Abrasive cutting wheels are suitable for different materials: Observe the identification of the abrasive cutting wheels.

STIHL generally recommends wet cutting.



Observe the outer diameter of the abrasive wheel.



The spindle bore diameter of the cutting wheel and the shaft of the cut-off machine must match.

Check the spindle hole for damage. Do not use abrasive cutting wheels with a damaged spindle hole – **risk of accident!**



The permissible speed of the abrasive cutting wheel must be equal to or greater than the maximum spindle speed of the cut-off machine. – Refer to the chapter "Specifications".

Before fitting a used abrasive cutting wheel, check that it is not cracked, chipped, undercut or uneven, and does not display any signs of core fatigue or overheating (discoloration); check also the spindle hole is not damaged.

Never use cracked, chipped or bent cutting wheels.

Substandard and/or unapproved diamond abrasive wheels can shimmy during cutting. This shimmying can cause such diamond abrasive wheels to be abruptly braked or become stuck in the cut – **Danger of kickback! Kickback can result in fatal injuries!** Diamond abrasive wheels that shimmy constantly or even only intermittently must be replaced immediately.

Never straighten diamond cutting wheels.

Never use the cut-off machine for cutting plastics.

A special cutting wheel (D-G80) is available for cutting water-carrying plastic pipes made of PP, PE or PVC.

Use a DG80 cutting wheel for cutting water-carrying plastic pipes.

Do not use a cutting wheel which has fallen to the ground. Damaged cutting wheels may break – **risk of accident!**

Observe the expiration date where composite resin abrasive cutting wheels are concerned.

3.5.2 Fitting abrasive cutting wheels

Inspect the spindle of the cut-off machine. Do not use a cut-off machine if the spindle is damaged – **risk of accident!**

Note the arrows indicating the direction of rotation on diamond abrasive wheels.

Position the front pressure plate – tighten up the tensioning screw – rotate the abrasive cutting wheel by hand and take a sight check for concentricity and axial running.

3.5.3 Storing abrasive cutting wheels

Store abrasive wheels in a dry and frost-free place, on an even surface, at constant temperature – **risk of breakage and splintering!**

Always protect abrasive cutting wheels against sudden impact with the floor or objects.

3.6 Before starting

Inspect the cut-off machine for safe-to-operate state – observe the respective chapters in the User Manual:

- Check the fuel system for leaks, especially the visible parts, e. g., fuel cap, hose connections, manual fuel pump (only in machines with a manual fuel pump). In case of leakage and damage, do not start the engine – **risk of fire!** Have the machine serviced by a dealer before using it
- The abrasive wheel must be suitable for the material to be cut. It must be in good condition and fitted correctly (direction of rotation, secure).
- Inspect the abrasive wheel guard for tight seat – if loose, contact your specialist dealer.
- The throttle trigger and throttle trigger lockout should move freely – the throttle trigger must return automatically to the idle position
- Stop switch can be moved easily to **STOP** or **0**
- Check that the spark plug boot is secure – a loose boot may cause sparking that could ignite combustible fumes **and cause a fire!**
- Never attempt to modify the controls or safety devices.
- Keep the handles clean, dry and free of oil as well as dirt – important for safe guiding of the cut-off machine.

– For wet applications, provide sufficient water

The power tool must only be operated when it is in good operating condition – **Risk of accident!**

3.7 Starting the engine

Start the engine at least 3 meters from the fueling spot, outdoors only.

On even ground, ensure a firm and secure footing and hold the engine-driven device firmly – the abrasive cutting wheel must not touch any objects or the ground and must not be in cutting action.

The abrasive wheel may begin to rotate as soon as the machine is started

The machine is operated by a single person only – do not allow any person to stay within the working area – nor with starting.

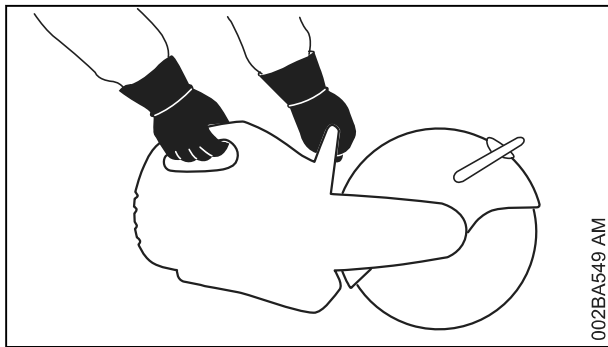
Do not drop start your machine – the correct starting procedure is described in the User Manual.

After releasing the throttle trigger, the abrasive wheel keeps on running for a while – **risk of injury due to delayed stopping!**

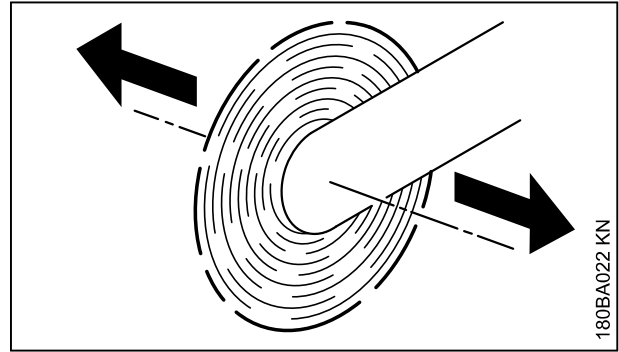
3.8 Holding and guiding the power tool

The cut-off machine may only be used for hand-held cutting or when mounted on a STIHL Cutquik cart.

3.8.1 Hand-held cutting



Always hold the machine **firmly with both hands**: Right hand on the rear handle – even if you are left-handed. To ensure safe control, wrap your fingers tightly around both handles.



When a cut-off machine with an abrasive cutting wheel rotating is moved in the direction of the arrow, a force is produced which causes the machine to tip sideways.

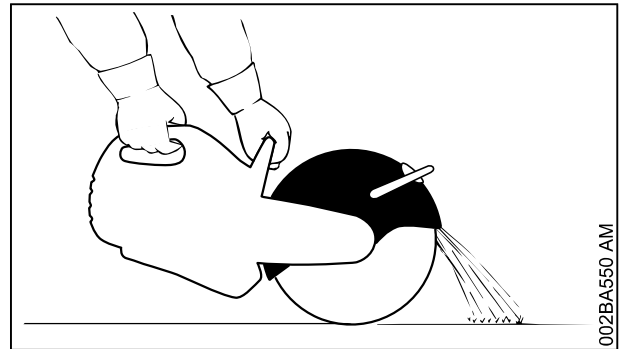
The object to be cut off has to be firmly supported. Always guide the machine towards the workpiece – never the other way round.

3.8.2 Cutquik cart

STIHL cut-off machines can be mounted onto a STIHL cutquik cart.

3.9 Deflector

The adjustment range of the guard is determined by a stop pin. Never push the guard over the stop pin.



Set the abrasive cutting wheel guard correctly: Guide particles of material away from the user and machine.

Note the direction of flight of the removed particles of material.

3.10 While working

In the event of impending danger or in an emergency, switch off the engine immediately by moving the stop switch to **STOP** or **0**.

Check for correct idling, where the abrasive cutting wheel is no longer driven when the throttle trigger is released and comes to a complete halt.

Regularly check idling. If the abrasive wheel turns when the machine is idling, have the machine repaired by the specialist dealer.

Keep clear the working area – bear in mind obstacles, holes and pitches.

Take special care in slippery conditions – **damp, snow, ice**, on slopes or uneven ground.

Don not work while standing on a ladder – not on an insecure support – not over your shoulder height – not with one hand only – **risk of accident!**

Make sure you always have a firm and secure footing.

Do not work alone – keep within calling distance of others in case help is needed.

Keep out further persons from the working area – maintain sufficiently large distance to additional persons to protect them from noise and flying objects.

Be particularly alert and cautious when wearing hearing protection because your ability to hear warnings (shouts, alarms, etc.) is restricted.

Take a break in good time before you get tired.

Work calmly and carefully – in daylight conditions and only when visibility is good. Proceed with caution, do not put others in danger.



As soon as the engine starts running, the power tool generates toxic exhaust gas. These gases may be odorless and invisible and may contain unburned hydrocarbons and benzene. Never run the engine indoors or in poorly ventilated locations, even if your model is equipped with a catalytic converter.

Ensure proper ventilation when working in trenches, hollows or similar locations – **risk of fatal injury from breathing toxic fumes!**

Stop work immediately if you start suffering from nausea, headaches, impaired vision (e.g. your field of vision gets smaller), impaired hearing, dizziness, or impaired concentration – these symptoms may possibly be the result of too-high exhaust gas concentration – **risk of accidents!**

To reduce the risk of fire, do not smoke while operating or standing near your power tool.

If your power tool is subjected to unusually high loads for which it was not designed (e.g. heavy impact or a fall), always check that it is in good condition before continuing work – see also "Before Starting". Check in particular that the fuel system has no leaks and the safety equipment is

fully operative. Never use a power tool that is no longer safe to operate. In case of doubt, contact a STIHL authorized dealer.

Never touch a rotating abrasive cutting wheel with your hand or any other part of your body.

Examine the workplace. Avoid all danger due to damaged piping or electrical wiring.

The machine must not be used near inflammable substances or gases.

Do not cut into pipes, metal tanks or other containers if you are not sure that they do not contain any volatile or inflammable substances.

Never leave the machine unattended with the engine running. Stop the engine before leaving the machine unattended (e. g. for breaks).

Before putting the cut-off machine down on the ground:

- Shut off the engine
- Wait until the abrasive cutting wheel has come to a standstill or brake the abrasive cutting wheel until it comes to a standstill by carefully touching a hard surface (e.g., concrete slab)



Frequently inspect the abrasive cutting wheel – replace it right away if there are visible cracks, buckling or other damage (for example, overheating) – **risk of accident due to breakage!**

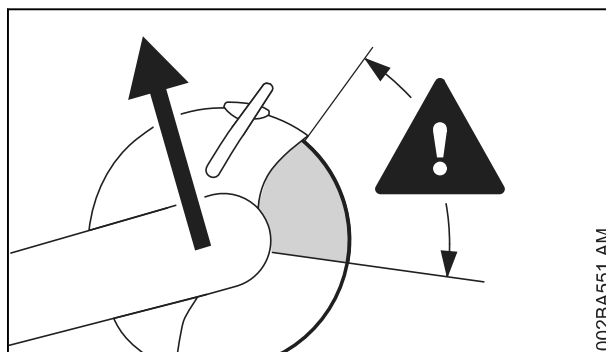
In the event of changes in cutting behavior (e. g. increased vibration, reduced cutting performance), stop work and eliminate the causes of the changes.

3.11 Reactive forces

The most frequently occurring reactive forces are kickback and pull-in.



Danger of kickback – **Kickback can result in fatal injuries.**



002BA551 AM

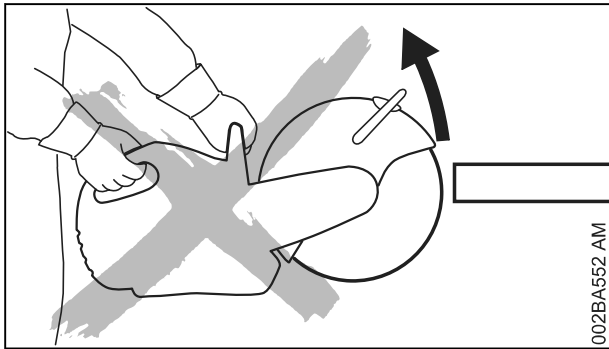
Kickback occurs when the cut-off machine is suddenly thrown up and back in an uncontrolled arc towards the operator.

Kickback occurs if, for example, the abrasive cutting wheel

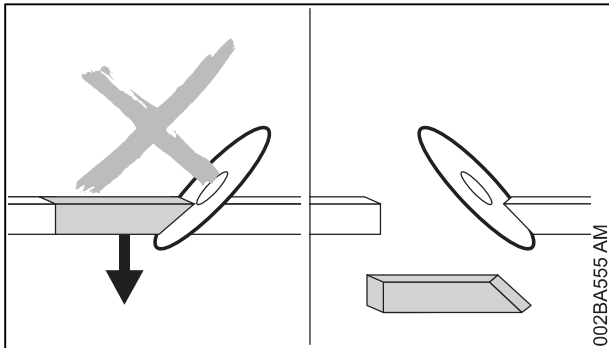
- gets jammed – primarily in its upper quarter, or
- is abruptly braked through friction contact with a solid object

To reduce the risk of kickback

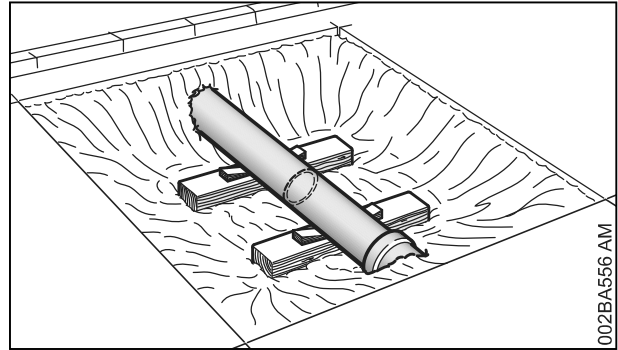
- Work cautiously and avoid situations which could cause kickback.
- Hold the cut-off machine firmly with both hands and maintain a secure grip



- If possible, avoid using the upper quarter of the abrasive cutting wheel for cutting. Use extreme caution when guiding the abrasive cutting wheel into a cut, do not twist or push into the cut

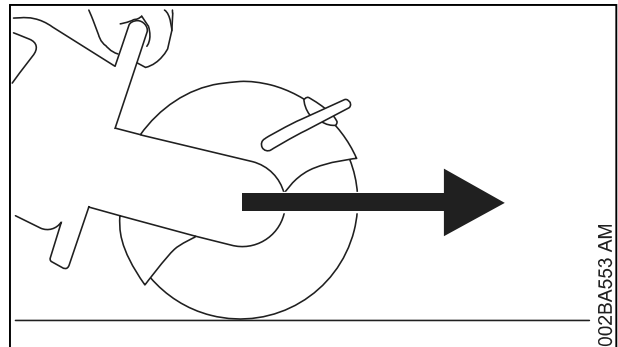


- Avoid any wedge effect - the severed part must not brake the abrasive cutting wheel
- Always be aware that the object to be cut may move and other factors may cause the cut to close and jam the abrasive cutting wheel.
- The object to be cut must be secured and supported so that the kerf remains open during and after cutting
- Objects to be cut must therefore be fully supported and must be secured against rolling away, slipping off or vibrations



- Support an uncovered pipe stable and solid, if necessary, use wedges – always bear in mind a proper support and ground – material may crumble away,
- Always work with water and wet cutting when using diamond abrasive wheels
- Depending on the version, composite resin abrasive cutting wheels are suitable only for dry cutting or only for wet cutting. Always use wet cutting with composite resin abrasive cutting wheels that are suitable only for wet cutting

3.11.1 Pull away from



The cut-off machine pulls forward, away from the user, when the abrasive wheel touches the object to be cut from above.

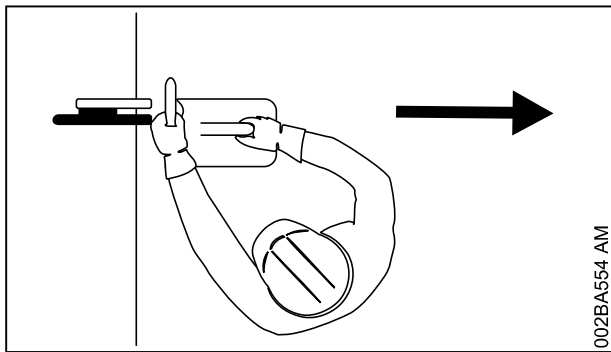
3.12 Working – cutting off



The abrasive cutting wheel must be guided straight in the cut, without tilting. Never exert lateral pressure on the abrasive cutting wheel.



Do not use for lateral grinding or scrubbing.



Do not stand in line with the abrasive wheel. Ensure sufficient freedom of movement, especially in construction trenches there must be sufficient space for the user and for the part being cut to fall.

Do not lean too far forwards and never bend over the abrasive wheel when the guard has been pulled back.

Do not work above shoulder height.

The cut-off machine may only be used for cutting. It must not be used as a lever or shovel.

Do not press down on the cut-off machine

Always decide the cutting direction before positioning the cut-off machine. After that, do not change the cutting direction. Never push or hit with the device into the cutting gap – do not let the concrete cutter fall into the cutting depth – **risk of breakage!**

Diamond abrasive cutting wheels: If cutting performance begins to deteriorate, check the sharpness of the diamond abrasive wheel, sharpen as needed. To do this, briefly cut through abrasive material, e. g., sandstone, aerated concrete or asphalt.

At the end of the cut, the cut-off machine is no longer supported by the abrasive wheel in the cut. The user has to absorb the weight force – **risk of loss of control!**



When cutting steel: glowing metal particles **may cause fires!**

Keep water and sludge away from alive electrical cables – **risk of electric shock!**

Drag the abrasive wheel into the workpiece – do not push it into the material. Do not correct severing cuts with the cut-off machine. Do not re-cut – remove left webs or breaking edges (for example, with a hammer).

When applying diamond abrasive wheels, take a wet cut – for example, use the STIHL water connector.

Depending on the version, composite resin abrasive cutting wheels are suitable only for dry cutting or only for wet cutting.

When using composite resin abrasive cutting wheels which are suited for wet cuts only, take such wet cuts only – for example, use the STIHL water connector.

When using composite resin abrasive cutting wheels which are suited for dry cuts only, take such dry cuts only. If however composite resin abrasive cutting wheels of this type become wet, their cutting performance is reduced and they become dull. If composite resin abrasive cutting wheels of this type become wet while working (e. g., due to puddles or water in pipes), do not increase the cutting pressure, but continue working with the same pressure – **risk of breakage!** Use up such composite resin abrasive cutting wheels immediately.

3.12.1 Cutquik cart

Clear a path for the Cutquik cart. If the Cutquik cart is pushed over objects, the cutting wheel may tilt in the cut – **risk of breakage!**

3.13 Vibrations

Prolonged use of the power tool may result in vibration-induced circulation problems in the hands (whitefinger disease).

No general recommendation can be given for the length of usage because it depends on several factors.

The period of usage is prolonged by:

- Hand protection (wearing warm gloves)
- Work breaks

The period of usage is shortened by:

- Any personal tendency to suffer from poor circulation (symptoms: frequently cold fingers, tingling sensations).
- Low outside temperatures.
- The force with which the handles are held (a tight grip restricts circulation).

Continual and regular users should monitor closely the condition of their hands and fingers. If any of the above symptoms appear (e.g. tingling sensation in fingers), seek medical advice.

3.14 Maintenance and repairs

The machine must be serviced regularly. Do not attempt any maintenance or repair work not described in the Instruction Manual. All other work should be carried out by a servicing dealer.

STIHL recommends that maintenance and repair work be carried out only by authorized STIHL dealers. STIHL dealers receive regular training and are supplied with technical information.

Use only high-quality spare parts. Otherwise, there may be a risk of accidents or damage to the machine. Contact a servicing dealer if in doubt.

STIHL recommends the use of genuine STIHL spare parts. Such parts have been optimized for the machine and the user's requirements.

Before starting any maintenance or repair work and before cleaning the machine, always **stop the engine – risk of injury!**

To reduce the **risk of fire** due to ignition outside the cylinder, move the stop switch to **STOP** or **0** before turning the engine over on the starter with the spark plug boot removed or the spark plug unscrewed.

Do not service or store the machine near a naked flame – **risk of fire** due to the fuel.

Check fuel cap regularly for tightness.

Use only spark plugs that are in perfect condition and have been approved by STIHL – see "Specifications".

Inspect ignition lead (insulation in good condition, secure connection).

Check that the muffler is in perfect working condition.

Do not use the machine if the muffler is damaged or missing – **risk of fire!** – **Hearing damage!**

Never touch a hot muffler – **risk of burns!**

Check the rubber buffers underneath the machine – the housing must not rub against the ground – **risk of damage!**

The condition of the antivibration elements influences vibration behavior – inspect antivibration elements periodically.

Maintenance, replacement, or repair of the emission control devices and systems may be performed by any nonroad engine repair establishment or individual. However, if you make a warranty claim for a component which has not been

serviced or maintained properly, STIHL may deny coverage.

For any maintenance please refer to the maintenance chart and to the warranty statement near the end of the instruction manual.

4 Sample Applications

4.1 Water must always be used for wet cutting when working with diamond abrasive wheels

4.1.1 Extend service life and increase cutting speed

Always ensure a supply of water to the abrasive wheel.

4.1.2 Binding dust

The abrasive wheel must be supplied with at least 0.6 liters of water per minute.

4.1.3 Water attachment

- Water attachment on the machine for all types of water supplies
- Pressurized water tank 10 l for binding dust
- water tank usable on the cut-off machine cart for binding dust

4.2 Use composite resin abrasive wheels with or without water – depending on version

Depending on the version, resin abrasive wheels are only suitable for dry cutting or only for wet cutting.

4.2.1 Composite resin abrasive wheels suitable only for dry cutting

During dry cutting, wear a suitable dust mask.

If fumes or smoke are anticipated (e. g., when cutting composite materials), wear **respiratory protection**.

4.2.2 Composite resin abrasive wheels suitable only for wet cutting

Use abrasive wheel only with water.



To bind dust, the abrasive wheel must be supplied with at least 1 liter of water per minute. To avoid a reduction in cutting performance, the abrasive wheel must be supplied with not more than 4 liters of water per minute.

After using the abrasive wheel, the wheel should be allowed to continue spinning at operating speed for approx. 3 to 6 seconds without water in order to spin off the water remaining on it.

- Water attachment on the machine for all types of water supplies
- Pressurized water tank 10 l for binding dust
- water tank usable on the cut-off machine cart for binding dust

4.3 Observe with diamond and composite resin abrasive wheels

4.3.1 Objects to be cut

- Must be fully supported
- Must be secured so it cannot roll or slip off
- Must be prevented from vibrating

4.3.2 Severed parts

With openings, recesses, etc., the sequence of the cuts is important. Always make the last cut so that the abrasive wheel does not become jammed and so that the operator is not endangered by the severed or separated part.

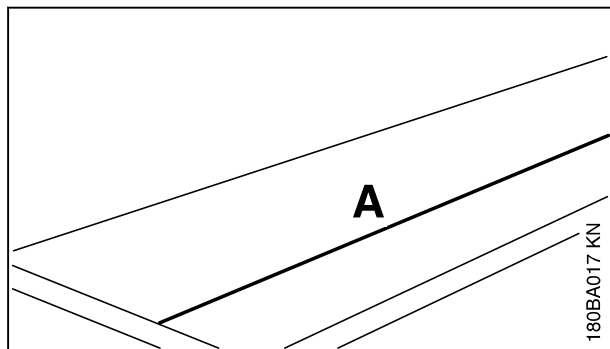
If necessary, leave small ridges that hold the part that is to be separated in position. Break these ridges later.

Before finally separating the part, determine:

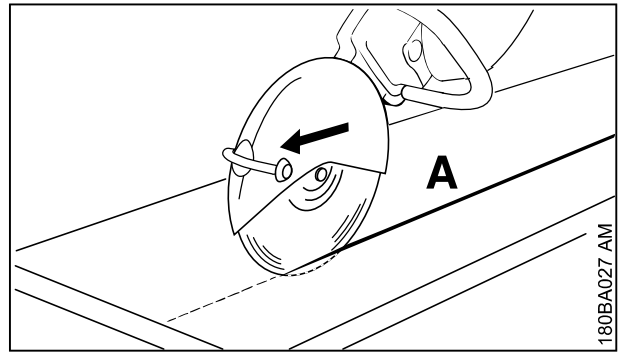
- how heavy the part is
- how it can move after separation
- whether it is under tension

When breaking out the part, do not endanger assistants.

4.4 Cut in several passes



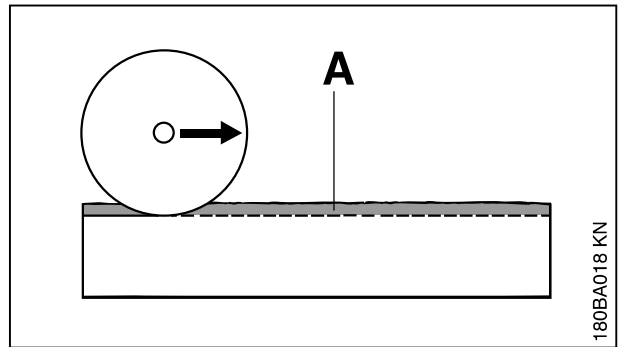
- ▶ Mark cutting line (A)



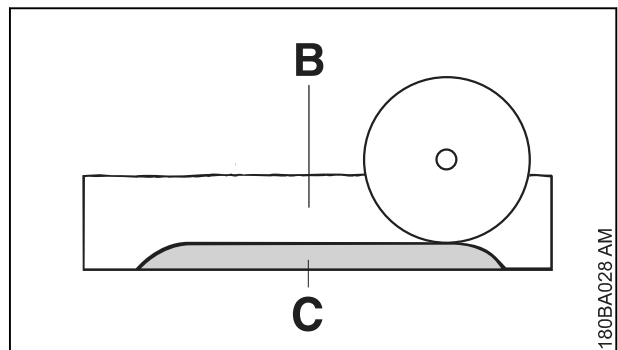
- ▶ Work along the cutting line. When making corrections, do not tilt the abrasive wheel, but always set the abrasive wheel against the workpiece anew – the cutting depth for each operation should not exceed 5 to 6 cm. Cut thicker material in multiple operations

4.5 Cutting plates

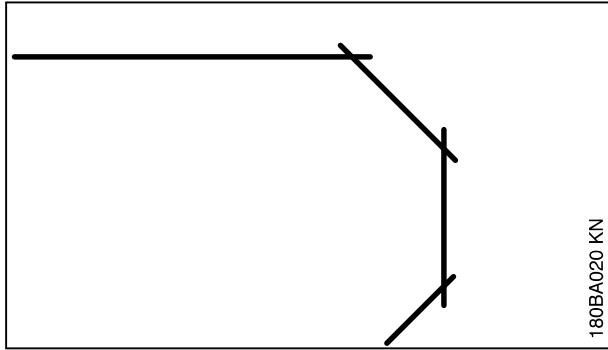
- ▶ Secure the plate (e. g. on a non-slip surface, sandbed)



- ▶ Grind a guide groove (A) along the line marked



- ▶ Make the cut (B) deeper
- ▶ Leave a "hinge" (C)
- ▶ First sever the plate at the cut ends so that no material breaks away
- ▶ Break plate



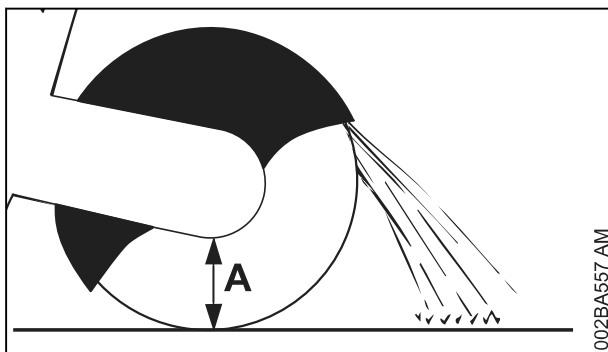
180BA020 KN

- ▶ Make curves in multiple operations – make certain that the abrasive wheel does not tilt

4.6 Cutting pipes, round and hollow bodies

- ▶ Secure pipes, round and hollow bodies against vibrations, slipping and rolling away
- ▶ Note direction of fall and weight of the severed part
- ▶ Determine and mark the cutting line, avoid reinforcement, especially in the direction of the severing cut
- ▶ Determine sequence of severing cuts
- ▶ Grind a guide groove along the line marked
- ▶ Make cut deeper along the guide groove – observe the recommended cutting depth for each operation – for small corrections of direction, do not tilt the abrasive wheel, but always position it anew instead – if necessary, leave small ridges that hold the part that is to be separated in position. Break these ridges after the last planned cut

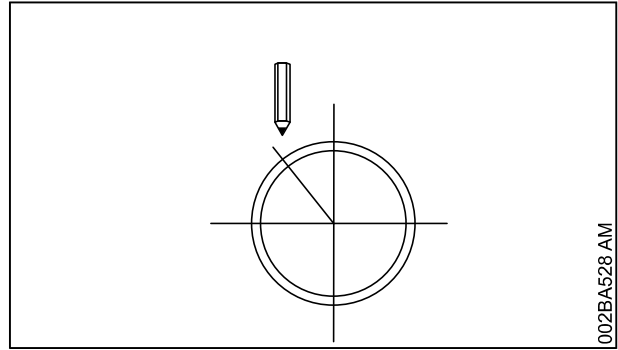
4.7 Cutting concrete pipe



002BA557 AM

The procedure is dependent on the outer diameter of the pipe and the maximum possible cutting depth of the abrasive wheel (A).

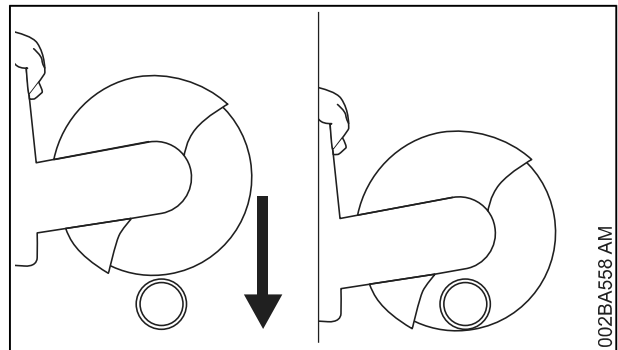
- ▶ Secure pipe against vibrations, slipping and rolling away
- ▶ Note weight, tension and direction of fall of the part to be severed



002BA528 AM

- ▶ Determine and mark direction of cut
- ▶ Determine sequence of cuts

Outer diameter is smaller than the maximum cutting depth



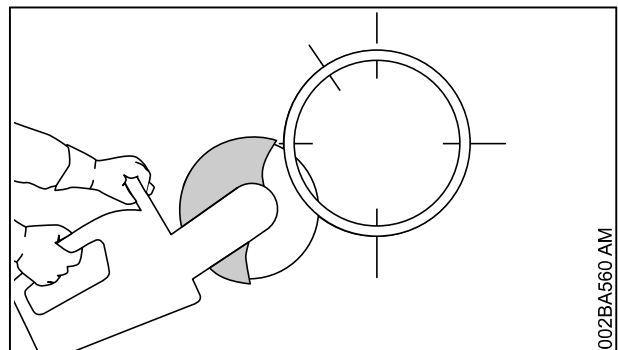
002BA558 AM

- ▶ Make **one** cut from the top to the bottom

Outer diameter is greater than the maximum cutting depth

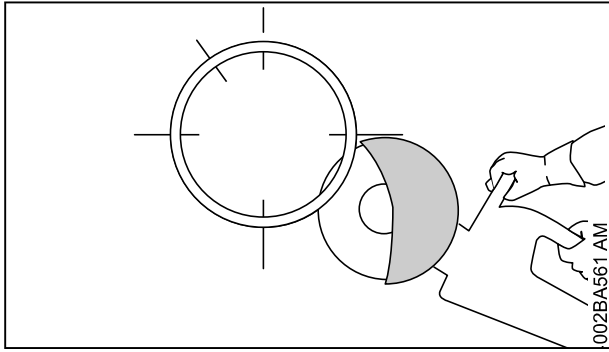
Plan first, then cut. **Several** cuts are needed – correct sequence is important.

- ▶ Turn guard at rear stop

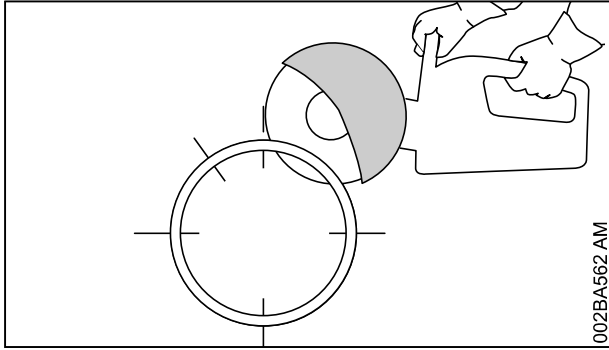


002BA560 AM

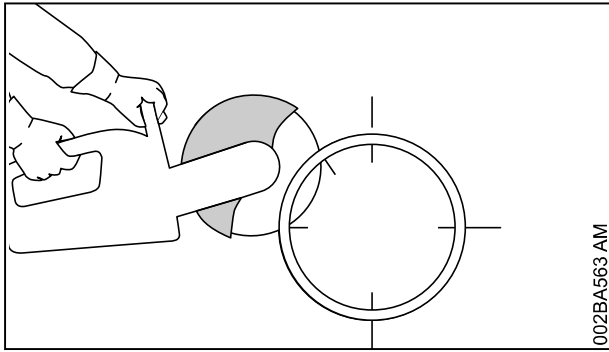
- ▶ Always start at the bottom, use the upper quarter of the abrasive wheel for cutting



- ▶ Use the upper quarter of the abrasive wheel for cutting the opposite lower side.

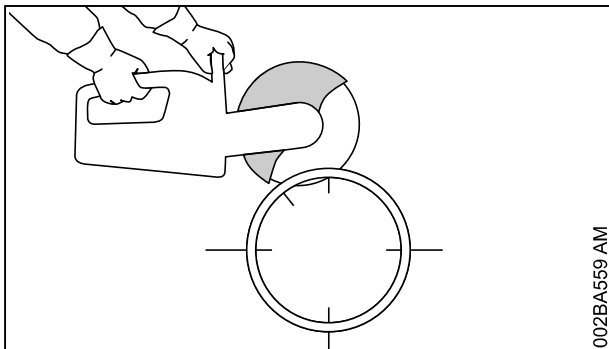


- ▶ First lateral cut on the top half of the pipe



- ▶ Second lateral cut in the marked area – never cut into the area of the last cut, to ensure a firm hold on the part of pipe to be cut

Only make the last top cut once all bottom and lateral cuts have been made.

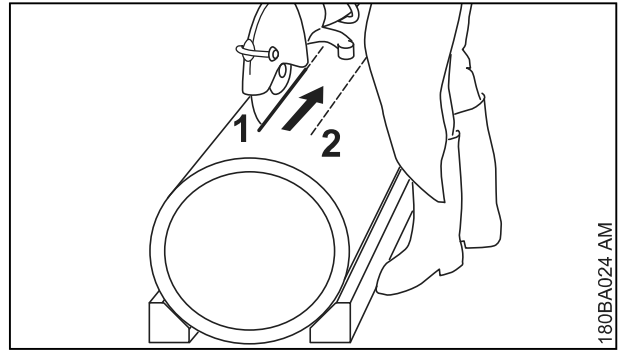


- ▶ Last cut always from the top (approx. 15 % of the pipe circumference)

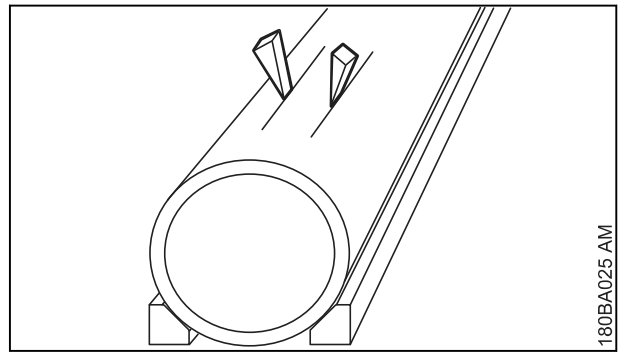
4.8 Concrete pipe – cut recess

Sequence of cuts (1 to 4) is important:

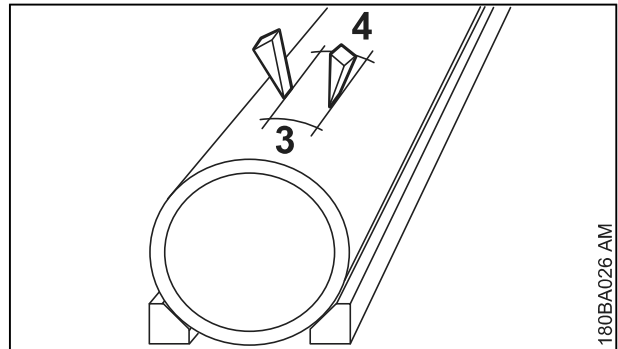
- ▶ First, cut hard-to-reach areas



- ▶ Always make severing cuts so that the abrasive wheel is not pinched



- ▶ Use wedges and/or leave ridges that are broken after cutting



- ▶ If the severed part remains in the recess after cutting (due to wedges, ridges used), do not make any further cuts – break the severed part

5 Cutting Wheels

Abrasive wheels are exposed to extremely high loads especially during freehand cutting.

Therefore only for use of approved and correspondingly labeled abrasive wheels with hand-held machines as per EN 13236 (diamond) or EN 12413 (composite resin). Note maximum permissible speed of the abrasive wheel – **risk of accident!**

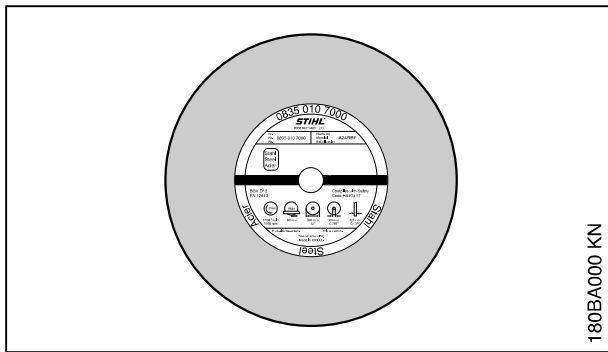
The abrasive wheels, which have been developed by STIHL in cooperation with renowned manufacturers of abrasive wheels, are of high quality and tailored precisely to the respective intended use as well as the engine performance of the cut-off machine.

They are of consistently outstanding quality.

5.1 Transport and storage

- Do not expose abrasive wheels to direct sunshine or other thermal stresses during transport and storage
- Avoid jolting and impacts
- Stack abrasive wheels flat on a level surface in the original packaging in a dry place where the temperature is as constant as possible
- Do not store abrasive wheels in the vicinity of aggressive fluids
- Store abrasive wheels in a frost-free place

6 Composite Abrasive Wheels



Types:

- for dry applications
- for wet applications

The proper selection and use of composite resin cutting wheels ensures economical use and avoids accelerated wear. The product code which appears

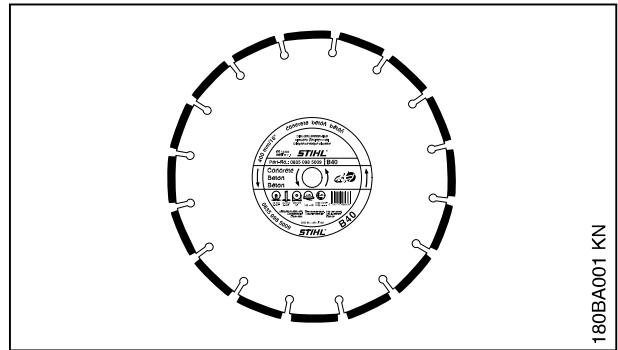
- on the label and
- on the packaging (table with recommendations for use) is an aid to selection

STIHL composite resin cutting wheels are suitable, depending on the version, for cutting the following materials:

- Asphalt
- Concrete
- Stone
- Ductile cast iron pipes
- Steel; STIHL composite resin cutting wheels are not suitable for cutting railway tracks

Do not cut any other materials – **risk of accident!**

7 Diamond Abrasive Wheels



For wet applications.

The proper selection and use of diamond cutting wheels ensure economical use and avoid accelerated wear. The product code

- on the label
- of the packaging (table with recommendations for use) will help when selecting the right cutting wheel.

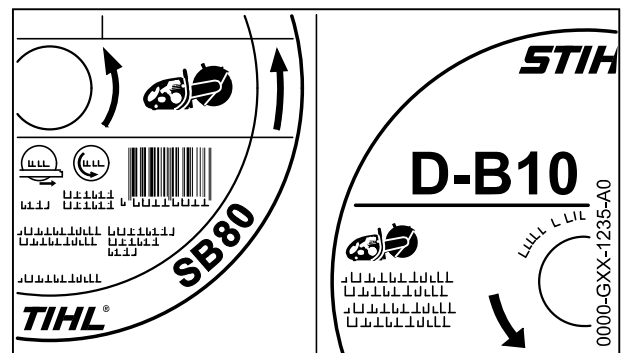
Depending on the version, STIHL diamond cutting wheels are suitable for cutting the following materials:

- Asphalt
- Concrete
- Stone (hard rock)
- Abrasive concrete
- Fresh concrete
- Clay bricks
- Clay pipes
- Ductile cast iron pipe
- Water-carrying plastic pipes made of PP, PE or PVC (using the D-G80 cutting wheel)

Do not cut any other materials – **risk of accident!**

Never use diamond cutting wheels with lateral coating as they can jam in the cut and cause an extreme kickback – **risk of accident!**

7.1 Product codes



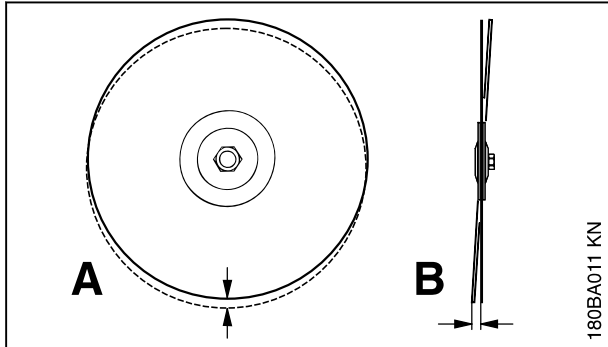
The product code is a combination of letters and numbers, consisting of up to four characters:

- The letters indicate the main field of application of the cutting wheel
- The numbers designate the performance class of the STIHL diamond cutting wheel

7.2 Radial and axial run-out

A faultless spindle bearing of the cut-off machine is necessary for a long service life and efficient functioning of the diamond cutting wheel.

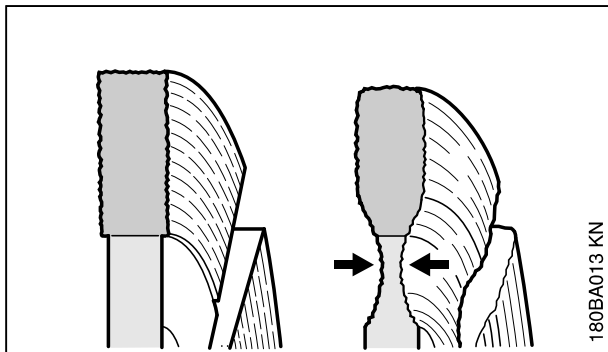
Using the cutting wheel on a cut-off machine with a faulty spindle bearing can lead to deviations in radial and axial run-out.



An excessively high radial run-out deviation (A) overloads individual diamond segments, which overheat in the process. This may lead to stress cracks in the parent wheel or to the annealing of individual segments.

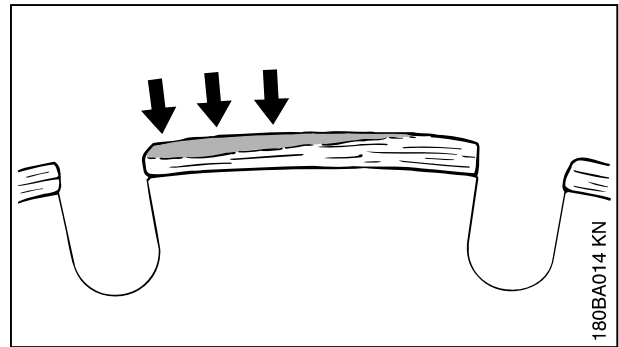
Deviations in axial run-out (B) result in higher thermal loading and wider cuts.

7.3 Undercut



Do not cut into the base layer (frequently gravel) when cutting roadway pavement – cutting into gravel can be recognized by light-colored dust. Excessive undercut may occur as a result – **risk of breakage!**

7.4 Sharpening built-up edges



Built-up edges take the form of a light gray deposit on the tops of the diamond segments. This deposit on the segments clogs the diamonds and blunts the segments.

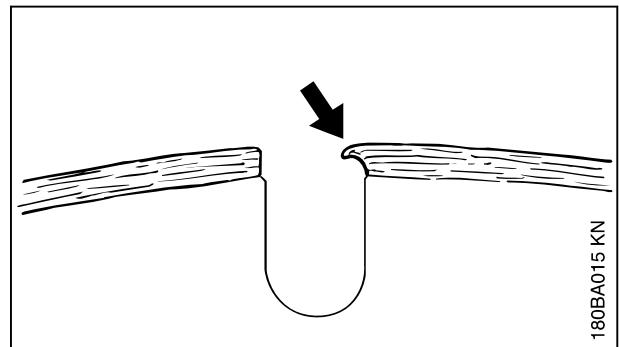
Built-up edges can form:

- when cutting extremely hard materials, e. g., granite
- with incorrect handling, e. g. excessive feed force

Built-up edges increase vibration, reduce cutting performance and cause the formation of sparks.

At the first signs of built-up edges, immediately "sharpen" the diamond cutting wheel – to do this, briefly cut through abrasive material such as sandstone, aerated concrete or asphalt.

Addition of water prevents the formation of built-up edges.



If work continues with dull segments, these may soften due to the high heat generated – this means that the parent wheel will anneal and its strength will become compromised – this can lead to stresses that are clearly apparent from the gyrations of the cutting wheel. Do not continue to use the cutting wheel – **risk of accident!**

Smears form when certain materials stick to the cutting wheel while cutting, in particular when cutting pipes from non-weldable plastic (PP, PE, PVC).

At the first signs of smears, immediately adjust the diamond cutting wheel by briefly cutting

through coarse material such as sandstone, aerated concrete or asphalt.

7.5 Troubleshooting

7.5.1 Cutting wheel

Fault	Cause	Remedy
Ragged edges or cut surfaces, crooked cut	Deviation in radial or axial run-out	Consult a dealer ¹⁾
Heavy wear on the sides of the segments	Cutting wheel wobbles	Use a new cutting wheel
Ragged edges, crooked cut, no cutting performance, generation of sparks	Cutting wheel is dull; built-up edges when using cutting wheels for stone	Sharpen cutting wheels for stone by briefly cutting through abrasive materials; replace cutting wheel for asphalt with a new one
Poor cutting performance, high segment wear	Cutting wheel is turning in the wrong direction	Install the cutting wheel so that it turns in the right direction
Tears or cracks in the parent wheel and segment	Overloading	Use a new cutting wheel
Undercut	Cutting in the wrong material	Use a new cutting wheel; pay attention to separating layers of various materials

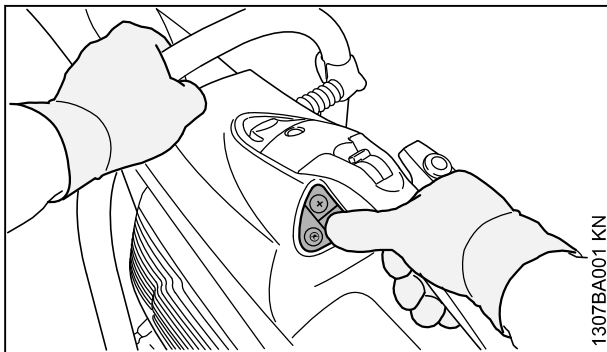
8 Electronic Water Control

STIHL cut-off machines may be equipped with an electronic water control system.

The electronic water control makes it possible to feed the optimum amount of water to the abrasive wheel. No water is fed to the abrasive wheel during idling.

8.1 Before starting work

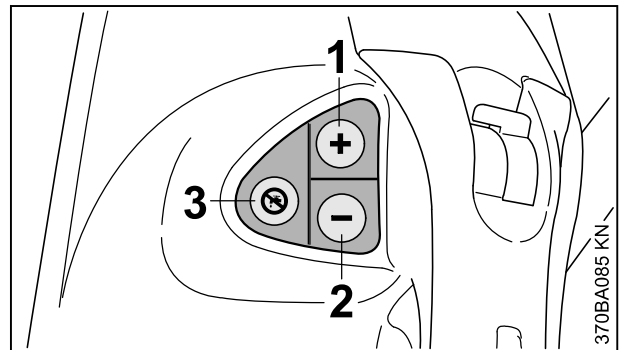
- Familiarize yourself with the sequence of motions while the engine is switched off



- All of the control panel buttons can be operated with the thumb of the right hand – the right hand always remains on the rear handle while doing so
- The left hand always remains on the handlebar

8.2 Control panel

When the engine is running, it is possible to activate / deactivate the electronic water control and adjust the water flow.



- 1 Button (+):**
activate the electronic water control or increase water flow to abrasive wheel
- 2 Button (-):**
activate the electronic water control or decrease water flow to abrasive wheel
- 3 Deactivate electronic water control; no water is fed to the abrasive wheel**

8.3 Using the electronic water control

- Start engine, see "Starting / Stopping the Engine"

¹⁾ STIHL recommends consulting a STIHL authorized dealer

- ▶ Tap on the (+) button or (-) button with the thumb of the right hand – the right hand always remains on the rear handle while doing so, the left hand always remains on the handlebar – no water is fed to the abrasive wheel yet during idling

During use, the set amount of water is fed to the abrasive wheel.

- ▶ Adjust water flow if necessary – to do so, tap on the (+) button or (-) button with the thumb of the right hand until the correct water quantity is attained – the right hand always remains on the rear handle while doing so, the left hand always remains on the handlebar

If the cut-off machine is idling after use, no more water will be fed to the abrasive wheel – the electronic water control, however, remains activated. With continued use, the last quantity of water set will be fed to the abrasive wheel again automatically.

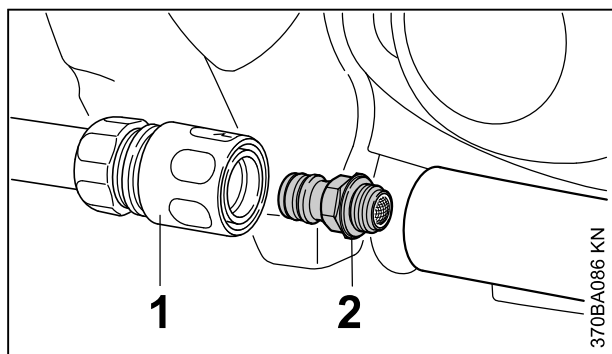
If the engine is stopped and restarted, the electronic water control is switched off.

8.3.1 For installation on the STIHL FW 20 cut-off machine cart

If the cut-off machine is mounted on the STIHL FW 20 cut-off machine cart in combination with the water tank, feed the maximum amount of water.

8.4 Maintenance and care

If too little water or no water is fed to the abrasive wheel during use although the electronic water control has been activated:



- ▶ Remove the coupling sleeve (1)
- ▶ Unscrew "water connection with screen" (2) and rinse under running water – the screen remains on the water connection

If too little water or no water is fed to the abrasive wheel although the screen has been cleaned, visit your servicing dealer.

9 Assembling the cast arm and guard

The "cast arm with guard" is mounted on the inboard side by the manufacturer.

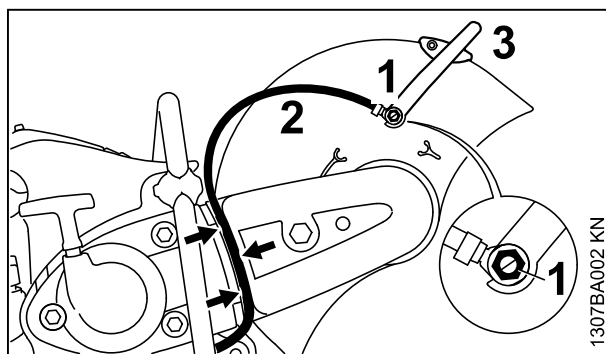
The "cast arm with guard" can also be mounted on the outboard side depending on requirements.

Assembly on the inboard side is recommended for freehand cutting on account of the better balance.

9.1 Outboard mounting

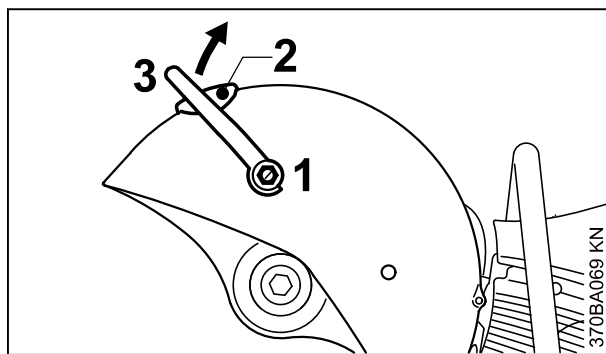
- ▶ Disassemble the abrasive wheel (see "Fitting / replacing an abrasive wheel")

9.1.1 Removing the water attachment



- ▶ Unscrew the banjo bolt (1) with the combination wrench – in the process, remove the square nut from the inside of the guard from the guide
- ▶ Remove the water hose (2) with connector from the adjusting lever (3)
- ▶ Pull the water hose (2) out of the guide (arrows) in the V-belt guard

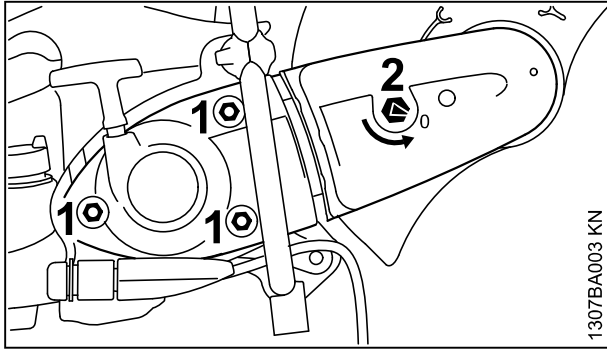
9.1.2 Removing the adjusting lever



- ▶ Unscrew the banjo bolt (1) with the combination wrench and remove it together with the seal – in the process, remove the square nut from the inside of the guard from the guide
- ▶ Unscrew the screw (2)

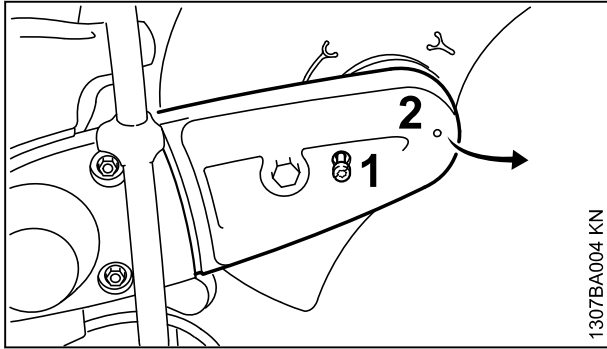
- ▶ Turn the adjusting lever (3) upwards and remove

9.1.3 Slackening the V-belt

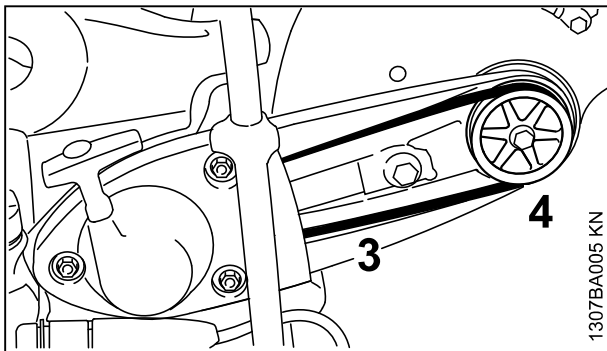


- ▶ Unscrew the nuts (1) – do not remove them
- ▶ Turn the tensioning nut (2) counterclockwise with the combination wrench – approx. 1/4 turn, as far as it will go = 0

9.1.4 Removing the V-belt guard

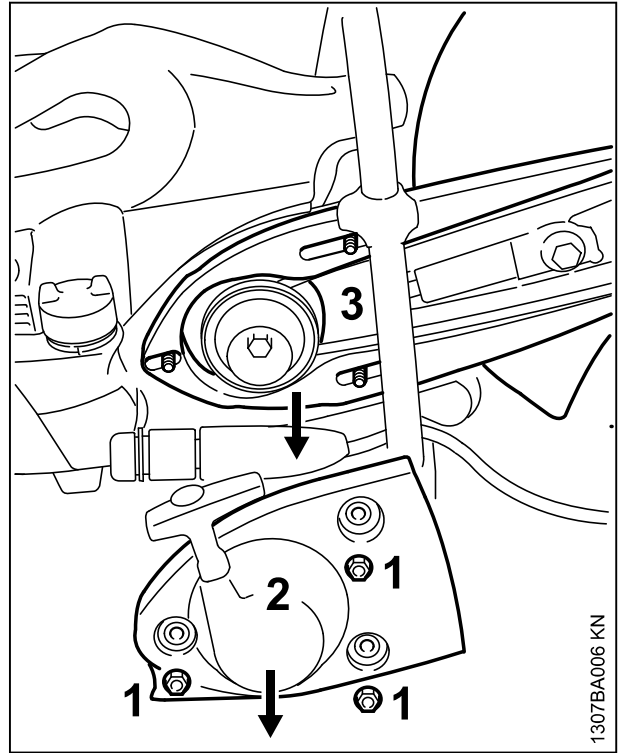


- ▶ Unscrew the screw (1) – screw (1) is secured on the V-belt guard (2) to prevent loss
- ▶ Raise the V-belt guard (2) slightly and pull it off to the front



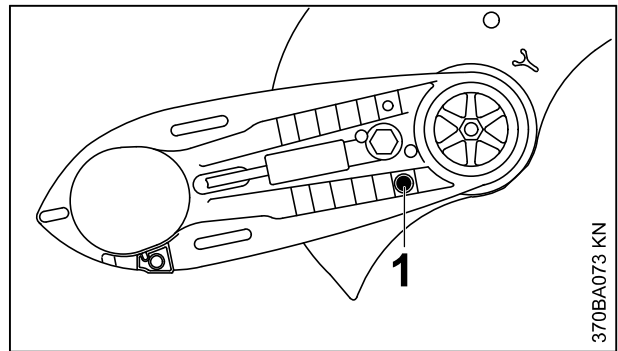
- ▶ Remove the V-belt (3) from the front pulley (4)

9.1.5 Removing the "cast arm with guard"

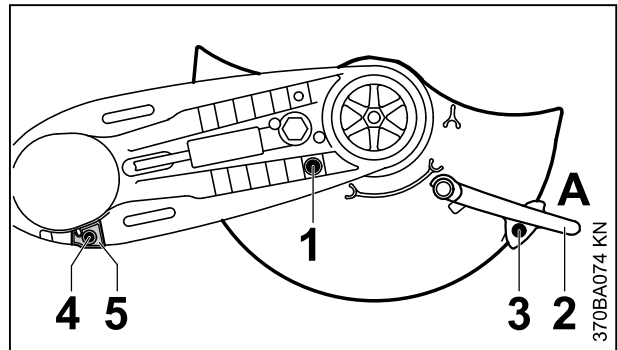


- ▶ Remove the nuts (1)
- ▶ Remove the "starter cover with rewind starter" (2)
- ▶ Remove the "cast arm with guard" (3) from the studs

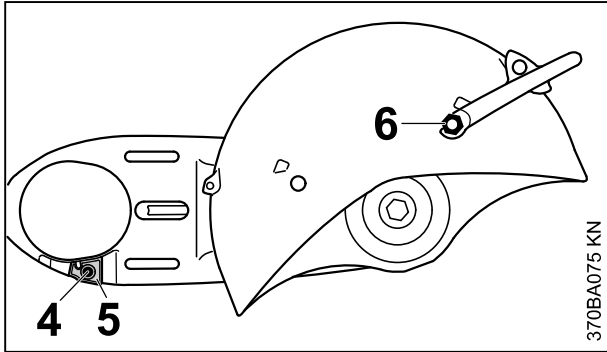
9.1.6 Preparing the "cast arm with guard" for outboard mounting



- ▶ Unscrew the stop pin (1)

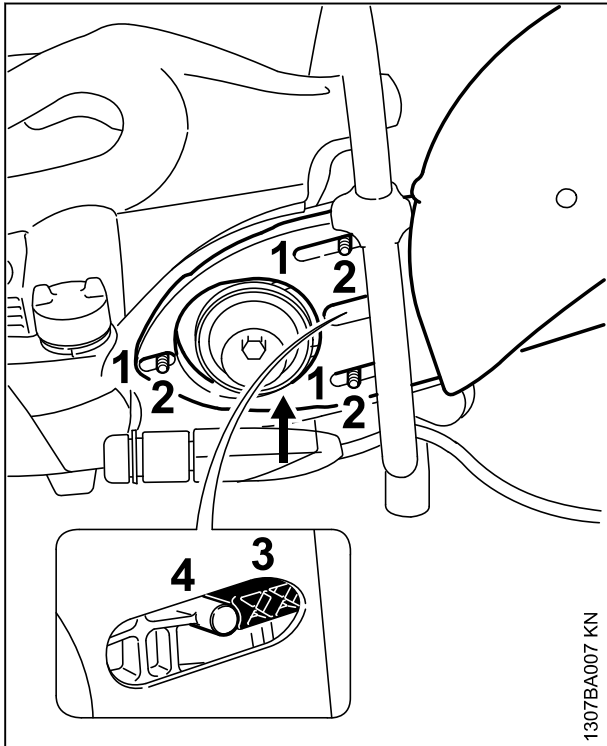


- ▶ Turn the guard so that it is in the position shown (see picture)
- ▶ Screw in and tighten the stop pin (1)
- ▶ Move the adjusting lever (2) to position A
- ▶ Screw in the bolt (3) and tighten up
- ▶ Remove screw (4) from the limit stop (5)
- ▶ Pull off the limit stop (5)



- ▶ Turn the "cast arm with guard" so that the guard is on the outboard side
- ▶ Insert limit stop (5) – align the hole in the limit stop with the hole in the cast arm
- ▶ Screw in the bolt (4) and tighten up
- ▶ Insert the square nut into the guide in the guard and hold it in place
- ▶ Screw in the shorter banjo bolt (6) and washer at the adjusting lever and tighten up with the combination wrench

9.1.7 Mounting "cast arm with guard" – guard on the outboard side

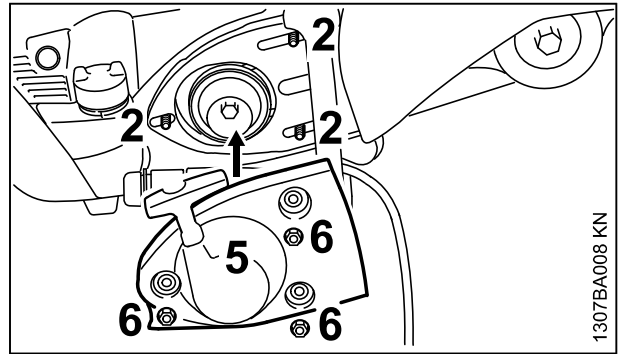


- ▶ Press the oblong holes (1) in the "cast arm and guard" on to the studs (2), guiding the ribbed V-belt over the front pulley

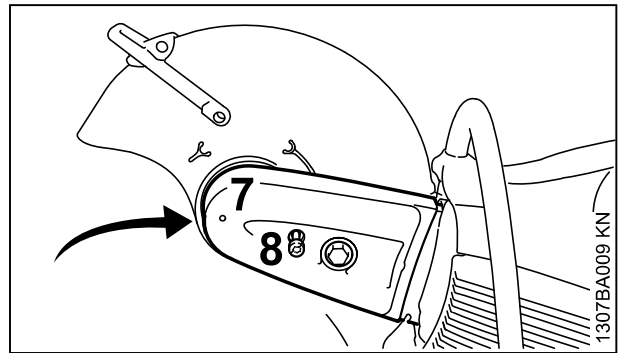
NOTICE

The belt action must run smoothly.

- ▶ The belt tensioner (3) must sit close to the lug (4)

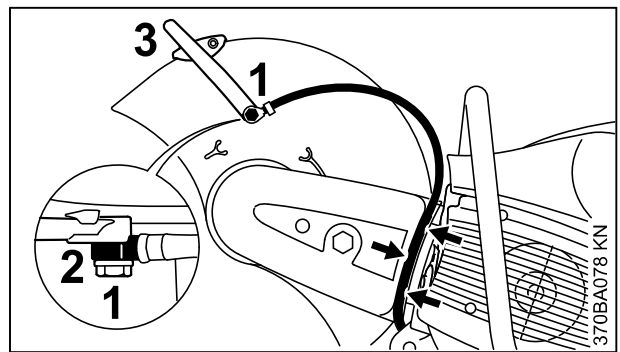


- ▶ Fit the "starter cover with rewind starter" (5) over the studs (2)
- ▶ Tighten up the nuts (6) by hand



- ▶ Push the V-belt guard (7) into place
- ▶ Screw in the bolt (8) and tighten up

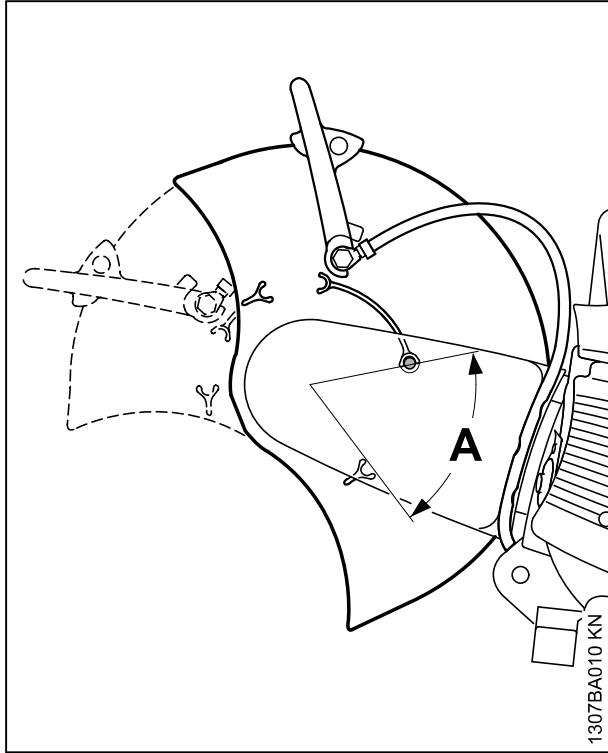
9.1.8 Connecting the water connection



- ▶ Insert the longer banjo bolt (1) through the connector (2) of the water attachment – observe the position of the connector
- ▶ Insert the square nut into the guide in the guard and hold it in place

- ▶ Fit the support with the longer banjo bolt on the adjusting lever (3) – screw in the banjo bolt and tighten with the combination wrench
- ▶ Insert the water hose into the guide in the V-belt guard (arrow) from the water connection towards the guard – avoid tight radiuses

9.1.9 Checking the adjustment range of the guard



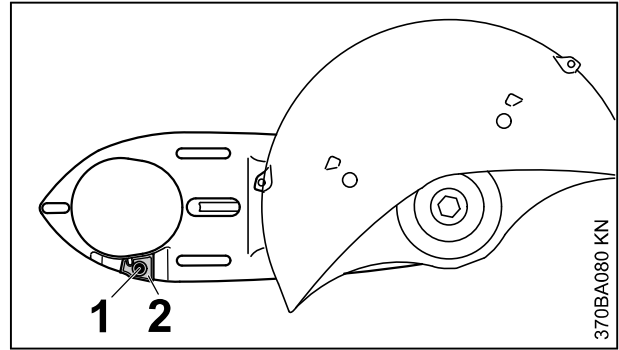
- ▶ Rotate the guard forwards and backwards as far as possible – adjustment range (A) must be limited by the stop pin

Continue as described in the chapter “Tensioning the V-belt”.

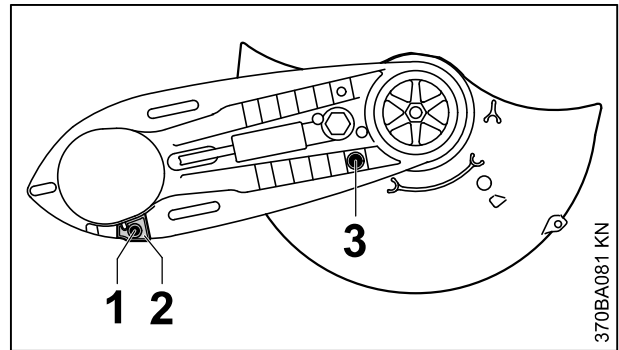
9.2 Inboard mounting

- ▶ Disassemble the abrasive wheel (see “Fitting / replacing an abrasive wheel”)
- ▶ Remove the water attachment
- ▶ Remove the adjusting lever
- ▶ Slacken the V-belt
- ▶ Remove the V-belt guard
- ▶ Remove the "cast arm with guard"

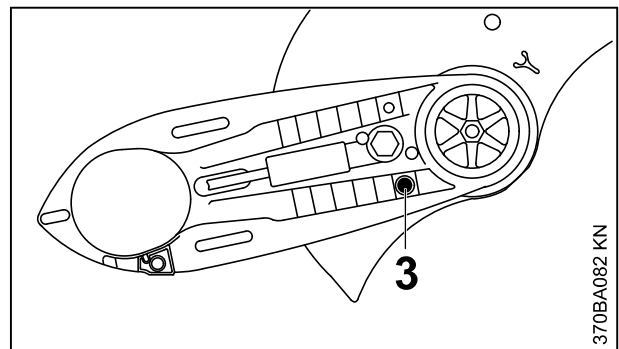
9.2.1 Preparing the "cast arm with guard" for inboard mounting



- ▶ Remove screw (1) from the limit stop (2)
- ▶ Pull off the limit stop (2)

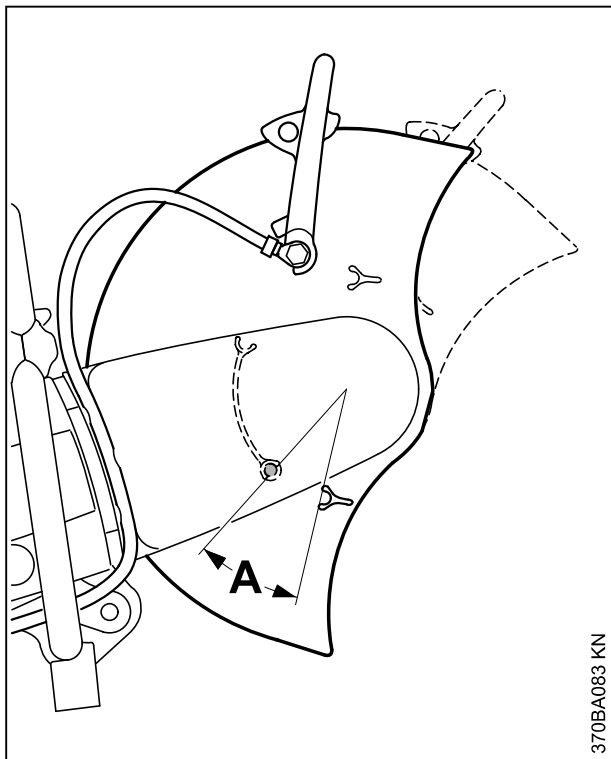


- ▶ Turn the "cast arm with guard" so that the guard is on the inboard side
- ▶ Insert limit stop (2) – align the hole in the limit stop with the hole in the cast arm
- ▶ Screw in the bolt (1) and tighten up
- ▶ Remove the nuts (3)



- ▶ Turn the guard so that it is in the position shown (see picture)
- ▶ Screw in and tighten the stop pin (3)
- ▶ Install the adjusting lever
- ▶ Mount "cast arm with guard" – guard on the inboard side
- ▶ Install the V-belt guard
- ▶ Connect water connection

9.2.2 Checking the adjustment range of the guard

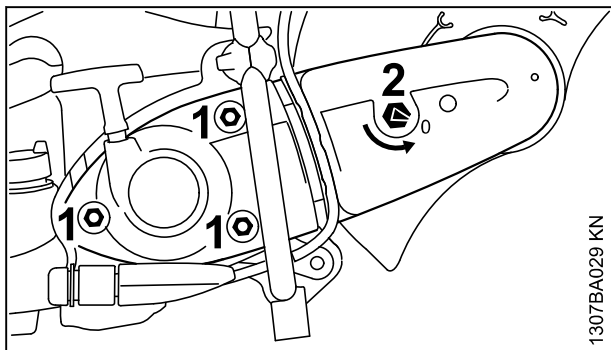


- ▶ Rotate the guard forwards and backwards as far as possible – adjustment range (A) must be limited by the stop pin

Continue as described in the chapter “Tensioning the V-belt”.

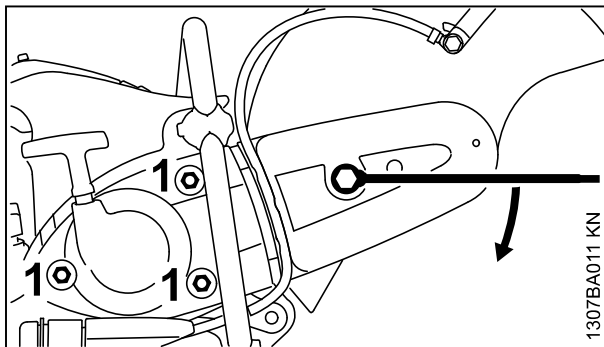
10 Tensioning the ribbed V-belt

This machine is equipped with an automatic spring-action V-belt tensioning device.



Prior to tensioning of the ribbed V-belt, the nuts (1) must be loosened and the arrow on the tensioning nut (2) must point to 0.

- ▶ otherwise loosen the nuts (1) and the tensioning nut (2) with the combination wrench counterclockwise – approx. 1/4 turn, as far as possible = 0



- ▶ to tighten the ribbed V-belt, fit the combination wrench over the tensioning nut as illustrated

WARNING

The tensioning nut is spring-loaded – hold the combination wrench securely.

- ▶ Turn the tensioning nut clockwise approx. 1/8 turn – the tensioning nut will be engaged by the spring
- ▶ Continue turning approx. 1/8 turn – up to the stop

NOTICE

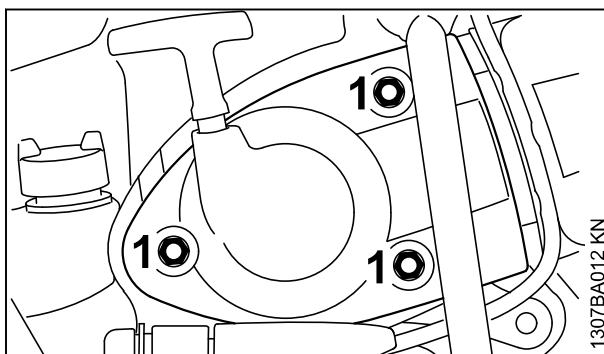
Do not turn the combination wrench further by force.

The V-belt is automatically tensioned by the force of the spring in this position.

- ▶ Remove the combination wrench from the tensioning nut
- ▶ Tighten up the nuts (1)

10.1 Retensioning the V-belt

The V-belt is retensioned without the aid of the tensioning nut.

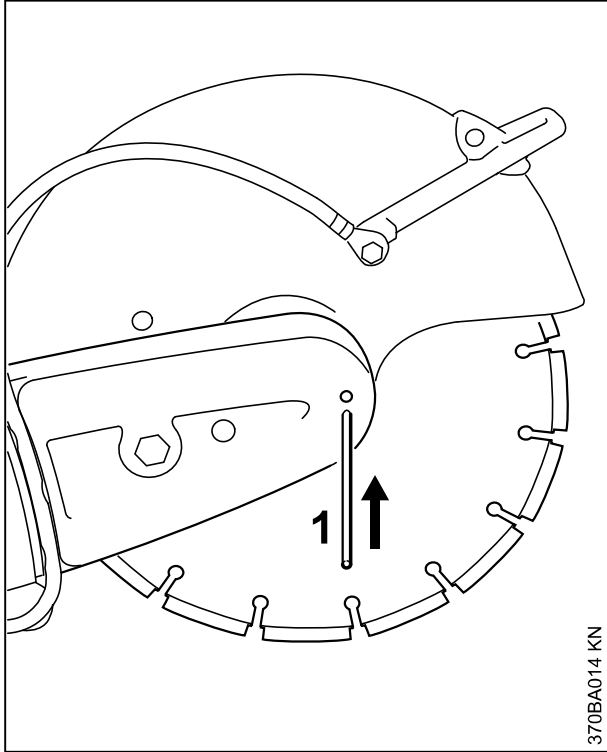


- ▶ Loosen the nuts (1) – V-belt is retensioned automatically by the force of the spring
- ▶ Tighten up the nuts (1) again

11 Mounting an Abrasive Wheel

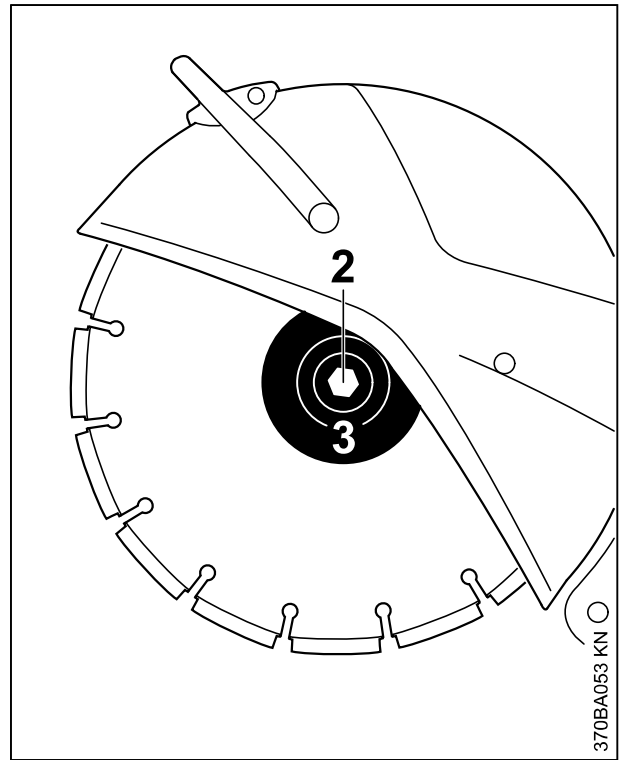
The engine must be switched off for fitting or replacement – move stop switch to **STOP** or **0**.

11.1 Blocking the shaft



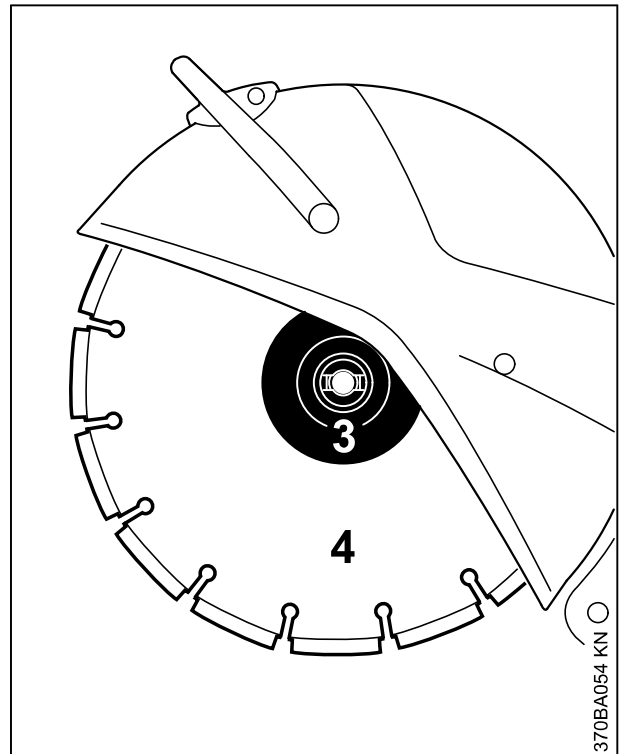
- ▶ Slide the locking pin (1) through the bore in the V-belt guard
- ▶ Turn the shaft with the combination wrench until the locking pin (1) engages in the bore behind the guard

11.2 Removing an abrasive wheel



- ▶ Use the combination wrench to loosen and remove the hexagon head screw (2)
- ▶ Remove the front thrust washer (3) from the shaft together with the abrasive wheel

11.3 Fitting an abrasive wheel



- ▶ Fit the new abrasive wheel (4)

**WARNING**

Note the arrows indicating the direction of rotation on diamond abrasive wheels.

- ▶ Fit the front thrust washer (3). The catches of the front thrust washer (3) must engage in the shaft grooves
- ▶ Screw in the hexagon bolt and **tighten it** with the combination wrench – if using a torque wrench, refer to the "Specifications" for the tightening torque
- ▶ Draw the locking pin out of the V-belt guard

**WARNING**

Never use two abrasive wheels at the same time. The uneven wear creates a **risk of breaking and an injury hazard!**

12 Fuel

This engine is certified to operate on unleaded gasoline and with the mix ratio 50:1.

Your engine requires a mixture of high-quality premium gasoline and high-quality two-stroke air-cooled engine oil.

Use premium branded unleaded gasoline with a minimum octane rating of 89 (R+M)/2.

Fuel with a lower octane rating may result in pre-ignition (causing "pinging") which is accompanied by an increase in engine temperature. This, in turn, increases the risk of the piston seizure and damage to the engine.

The chemical composition of the fuel is also important. Some fuel additives not only detrimentally affect elastomers (oil seals, fuel lines etc.), but magnesium castings as well. This could cause running problems or even damage the engine. For this reason it is essential that you use only high-quality fuels!

Fuels with different percentages of ethanol are being offered. Ethanol can affect the running behaviour of the engine and increase the risk of lean seizure.

Engines equipped with STIHL Injection can be run on gasoline with an ethanol content of up to 25% (E25).

Use only STIHL two-stroke engine oil or equivalent high-quality two-stroke air-cooled engine oils for mixing.

We recommend STIHL 50:1 two-stroke engine oil since it is specially formulated for use in STIHL engines.

To ensure the maximum performance of your STIHL engine, use a high quality 2-cycle engine oil. To help your engine run cleaner and reduce harmful carbon deposits, STIHL recommends using STIHL HP Ultra 2-cycle engine oil or ask your dealer for an equivalent fully synthetic 2-cycle engine oil.

To meet the requirements of EPA and CARB we recommend to use STIHL HP Ultra oil.

Do not use BIA or TCW (two-stroke water cooled) mix oils!

Take care when handling gasoline. Avoid direct contact with the skin and avoid inhaling fuel vapour.

The canister should be kept tightly closed in order to avoid any moisture getting into the mixture.

The fuel tank and the canister in which fuel mix is stored should be cleaned from time to time.

12.1 Fuel mix ratio

Only mix sufficient fuel for a few days work, not to exceed 30 days of storage. Store in approved safety fuel-canisters only. When mixing, pour oil into the canister first, and then add gasoline.

Examples

Gasoline	Oil (STIHL 50:1 or equivalent high-quality oils)
liters	liters (ml)
1	0.02 (20)
5	0.10 (100)
10	0.20 (200)
15	0.30 (300)
20	0.40 (400)
25	0.50 (500)

Dispose of empty mixing-oil canisters only at authorized disposal locations.

13 Fueling

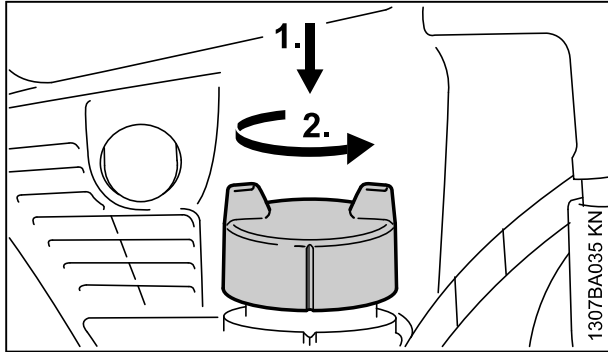


13.1 Preparing the machine

- ▶ Before fueling, clean the filler cap and the area around it so that dirt cannot fall into the tank
- ▶ Always position the machine so that the filler cap is facing upwards

**WARNING**

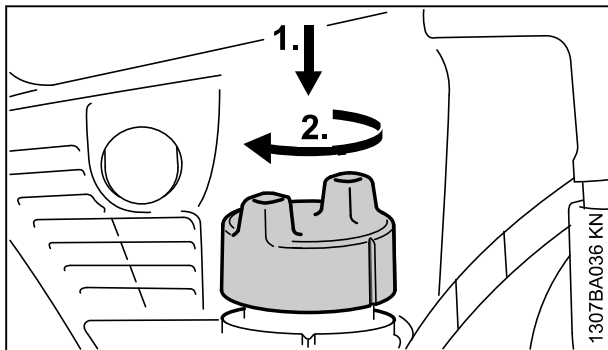
Never use a tool to open the bayonet filler cap. The cap can be damaged and fuel may escape.

13.2 Opening the filler cap

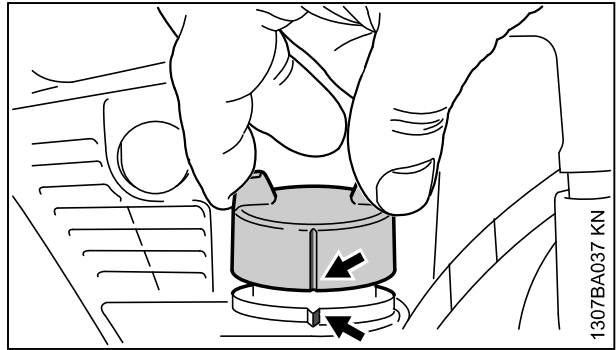
- ▶ Press the filler cap down as far as possible by hand, then turn it counterclockwise (approx. 1/8 turn) and remove

13.3 Refueling

Take care not to spill fuel while fueling and do not overfill the tank. STIHL recommends use of the STIHL filling system for fuel (special accessory).

13.4 Closing the filler cap

- ▶ Fit the cap and turn it until it engages in the bayonet catch
- ▶ Press the cap down as far as possible by hand and turn it clockwise (approx. 1/8 turn) until it engages

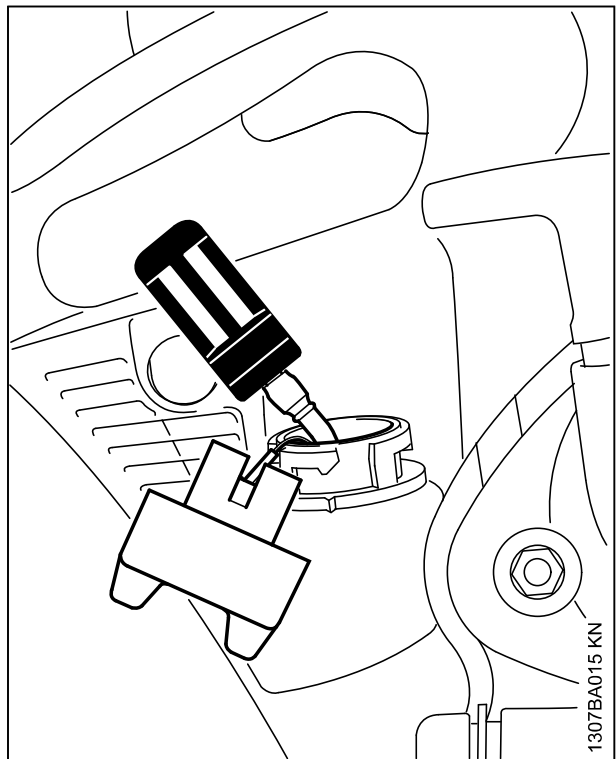
13.5 Checking the lock

- ▶ Grip the cap – the cap is closed properly if it cannot be removed and the markings (arrows) on the cap and fuel tank are aligned

If the cap can be removed or the markings do not align, close the cap again – see sections "Closing the filler cap" and "Checking the lock".

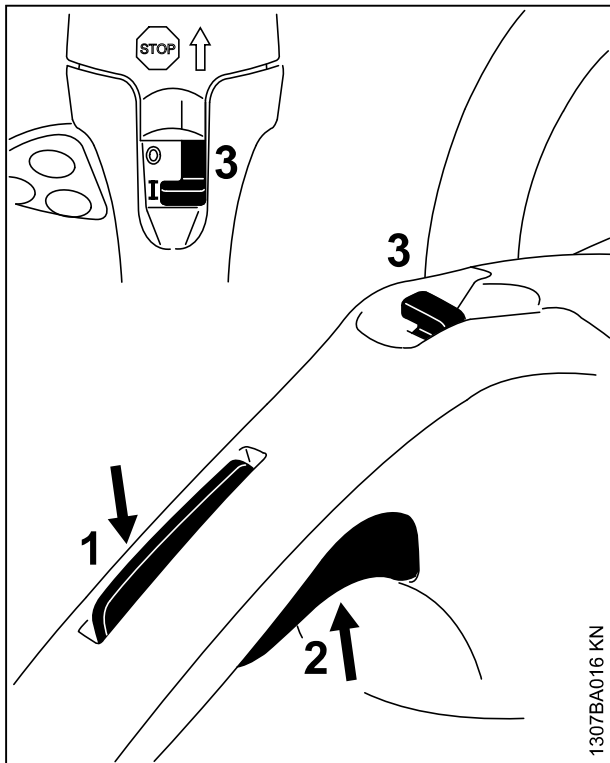
13.6 Changing the fuel pickup body every year

The fuel pickup body is equipped with a magnetic separator.

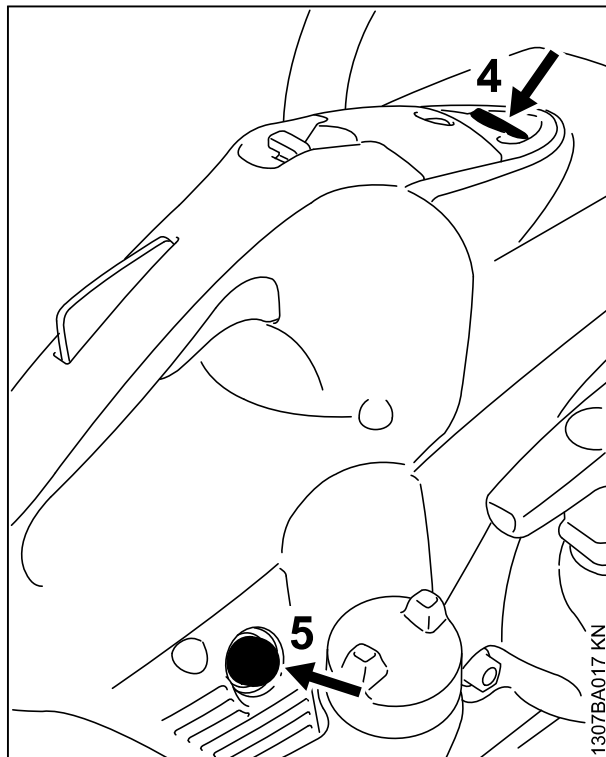


- ▶ Drain the fuel tank
- ▶ Pull the fuel pickup body out of the tank with a hook and disconnect it from the hose
- ▶ Connect a new fuel pickup body to the hose
- ▶ Return the fuel pickup body to the tank

14 Starting / Stopping the Engine

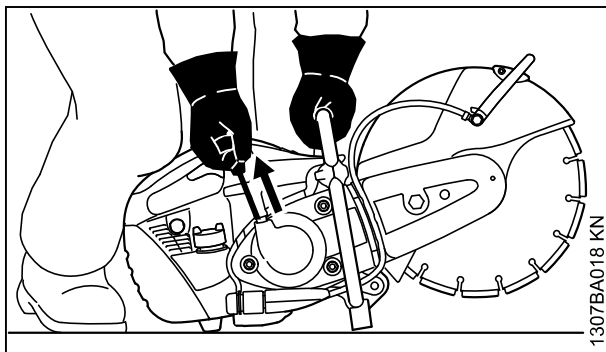


- ▶ Press throttle trigger lockout (1) and then press throttle trigger (2)
- ▶ Hold both triggers down
- ▶ Set the stop switch (3) to I
- ▶ Release the throttle trigger, stop switch and throttle trigger lockout in succession – **starting throttle position**



- ▶ Press the button (4) of the decompression valve
- ▶ Press the manual fuel pump bulb (5) 7-10 times, even when the bulb is filled with fuel

14.1 Starting



- ▶ Place the cut-off machine carefully on the ground, ensuring that the abrasive wheel cannot touch the ground or any objects. There must not be anyone within the swivel range of the cut-off machine
- ▶ Make sure you have a firm footing
- ▶ Press the cut-off machine firmly against the ground, holding the handle with your left hand, thumb wrapped round the handle
- ▶ Press the cut-off machine against the ground with the right knee on the shroud
- ▶ Pull the starter grip slowly with your right hand until you feel it engage – then give it a brisk strong pull – do not pull out the starter rope all the way

NOTICE

Do not let the starter grip snap back – it may **break!** Guide it back into the housing in the opposite direction so that it can rewind properly.

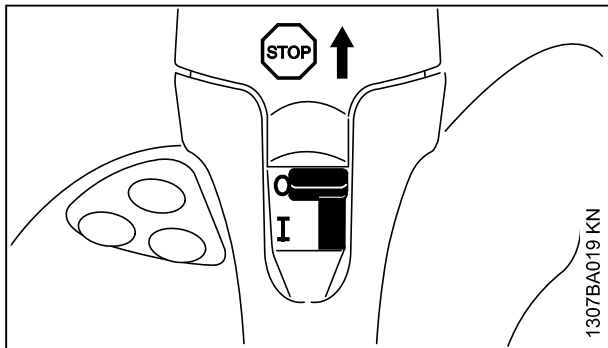
14.2 Once the engine is running

- ▶ Let the engine run for a few seconds - important: the abrasive wheel may begin to rotate!
- ▶ Blip the throttle trigger and throttle trigger lock-out so that the engine settles down to idle speed

The cut-off machine is now ready for use.

**WARNING**

The abrasive wheel must not rotate when the engine is idling. Have the machine repaired by a STIHL servicing dealer if the abrasive wheel turns while the engine is idling. STIHL recommends STIHL servicing dealers.

14.3 Switching off the engine

- ▶ Move stop switch to **STOP** or **0**

14.4 Additional hints on starting**14.4.1 If the tank has been drained completely**

- ▶ Refueling
- ▶ Press the manual fuel pump bulb 7-10 times – even if it is full of fuel
- ▶ Restart the engine

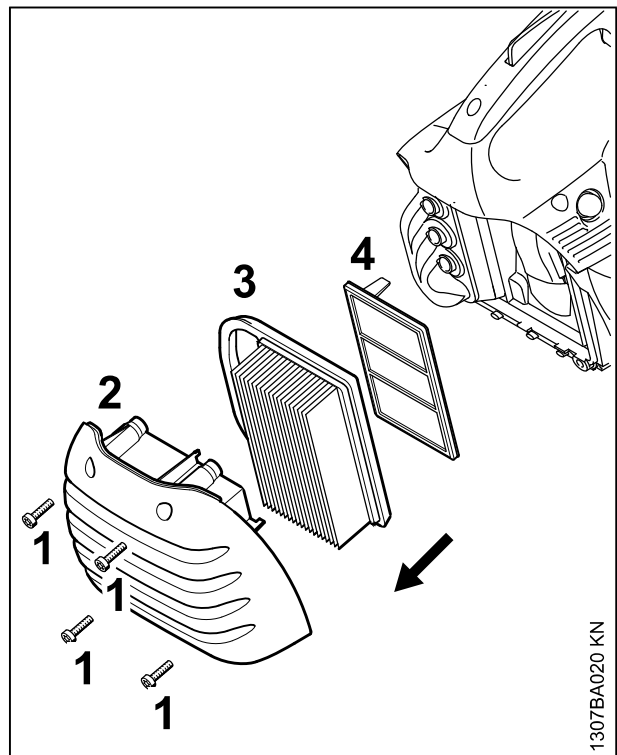
14.4.2 At very low temperatures or if the machine is extremely cold

- ▶ Allow the engine to warm up longer after starting – important: the abrasive wheel may begin to rotate!
- ▶ Blip the throttle trigger and throttle trigger lock-out so that the engine settles down to idle speed

15 Air Filter System**15.1 Basic information**

The average filter life is more than 1 year. Do not dismantle the filter cover or fit a new air filter unless there is a noticeable loss of engine power.

In the long-life air filter system with the cyclone pre-separation system, dirty air is drawn in and deliberately rotated. The larger and heavier particles carried in the air are thus expelled and extracted. Only pre-cleaned air enters the air filter system and the result is extremely long filter life.

15.2 Replacing the air filter**15.2.1 Only if there is a noticeable loss of engine power**

- ▶ Undo the screws (1)
- ▶ Remove the filter cover (2) and clean it
- ▶ Remove the main filter (3)
- ▶ Remove the auxiliary filter (4) – ensuring that dirt does not enter the intake area
- ▶ Clean the filter area
- ▶ Insert new auxiliary filter (4) and new main filter (3)
- ▶ Refit filter cover (2)
- ▶ Retighten screws (1)

Only high-quality air filters should be used, to protect the engine against ingress of abrasive dust.

STIHL recommends the use of genuine STIHL air filters. The high quality of these parts will ensure trouble free operation, a long service life for the engine and extremely long filter life.

16 Engine Management

Exhaust emissions are controlled by the design of the engine and components (e.g. ignition, timing and valve or port timing).

17 STIHL Injection

STIHL Injection regulates the fuel quantity and ignition timing for all operating states electronically.

STIHL Injection stands for easy, fast starting, constant optimum engine performance, outstanding acceleration and automatic adaptation to changes in operating conditions.

18 Spark Arresting Screen in Muffler

In some countries, the mufflers are fitted with a spark arresting screen.

! WARNING

To reduce the risk of fire caused by hot particles escaping from the machine, never operate the machine without a spark arresting screen, or with the spark arresting screen damaged. Do not modify the muffler or spark arresting screen.

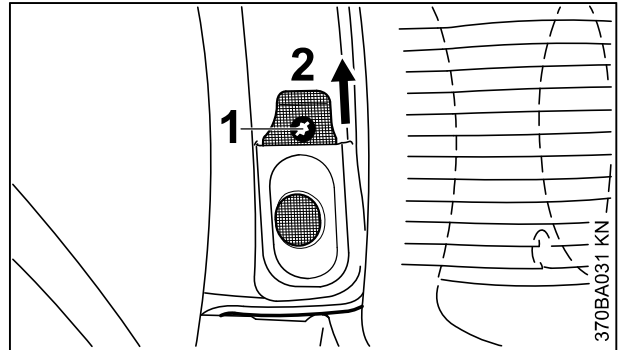
NOTICE

According to the law or regulations in some countries or federal states, certain operations may only be carried out if a properly serviced spark arresting screen is provided.

- ▶ If the engine performance deteriorates, check the spark arresting screen in the muffler.

! WARNING

Wait for the engine to cool down completely before performing this work.



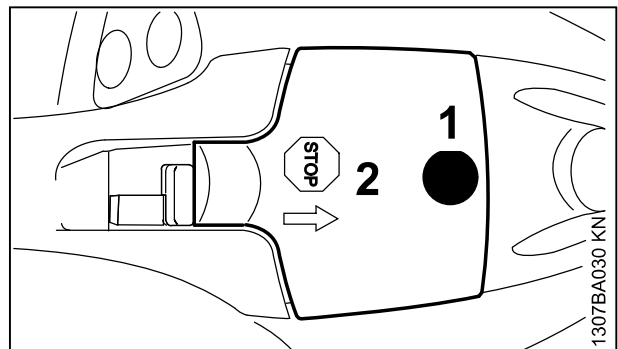
- ▶ Undo screw (1)
- ▶ Pull the spark arresting screen (2) upward out of the muffler
- ▶ clean the spark arresting screen if necessary
- ▶ If the screen is damaged or heavily carbonized, fit a new one
- ▶ Refit the spark arresting screen in reverse order of steps

19 Spark Plug

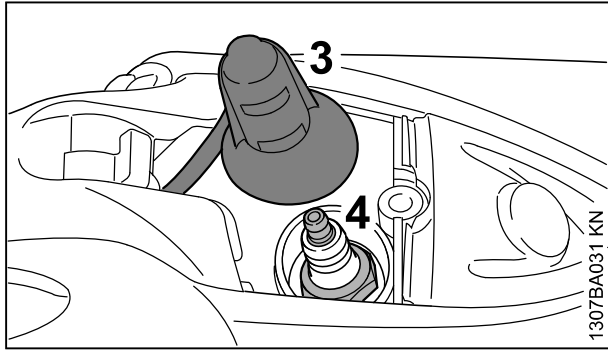
- ▶ If the engine is down on power, difficult to start or runs poorly at idle speed, first check the spark plug.
- ▶ Fit a new spark plug after about 100 operating hours – or sooner if the electrodes are badly eroded. Install only suppressed spark plugs of the type approved by STIHL – see "Specifications".

19.1 Removing the spark plug

- ▶ Switch off the engine – move stop switch to **STOP** or **0**

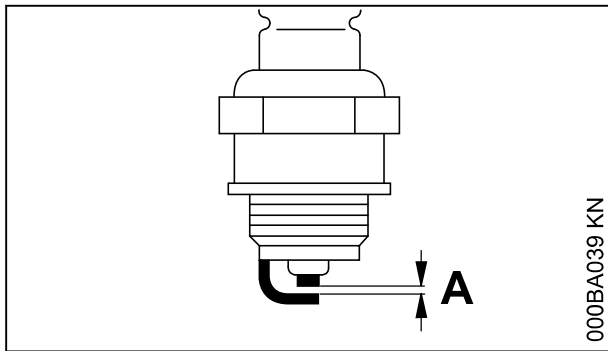


- ▶ Unscrew the screw (1) and remove cap (2) – screw (1) is secured in the cap (2) to prevent loss



- ▶ Unplug the spark plug boot (3).
- ▶ Use the combination wrench to unscrew the spark plug (4).

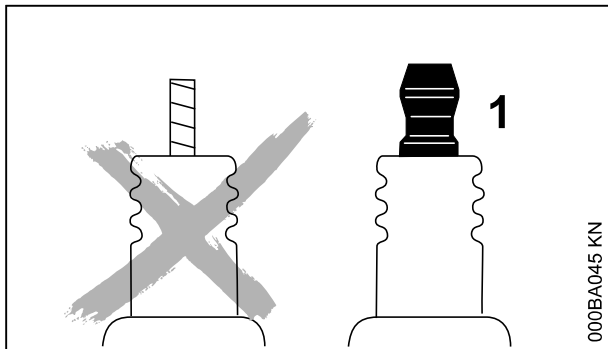
19.2 Checking the Spark Plug



- ▶ Clean dirty spark plug.
- ▶ Check electrode gap (A) and readjust if necessary – see "Specifications".
- ▶ Rectify the problems which have caused fouling of the spark plug.

Possible causes are:

- Too much oil in fuel mix.
- Dirty air filter.
- Unfavorable running conditions.



! WARNING

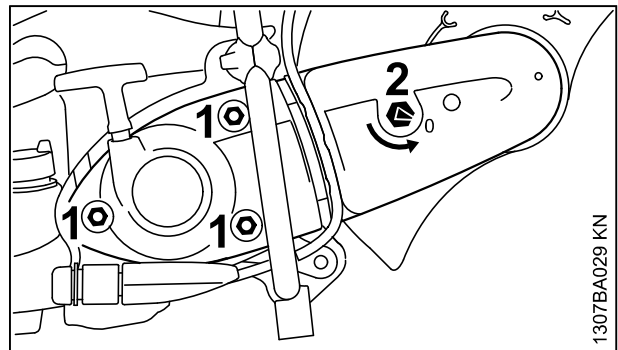
Arcing may occur if the adapter nut (1) is loose or missing. Working in an easily combustible or explosive atmosphere may cause a fire or an explosion. This can result in serious injuries or damage to property.

- ▶ Use resistor type spark plugs with a properly tightened adapter nut.

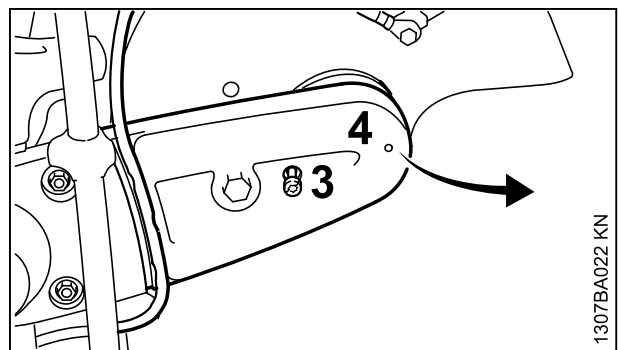
19.3 Installing the spark plug

- ▶ Fit the spark plug by hand and screw it in
- ▶ Tighten spark plug with combination wrench
- ▶ Press the spark plug boot firmly onto the spark plug
- ▶ Position the cap for the spark plug boot and screw it down

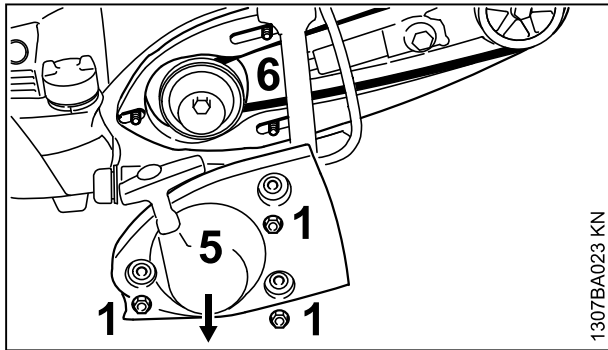
20 Replacing the V-belt



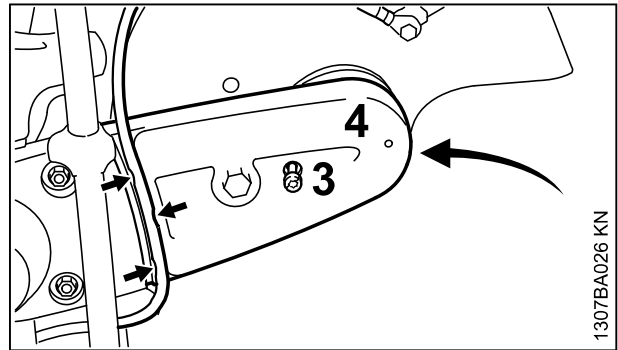
- ▶ Undo the nuts (1)
- ▶ Turn the tensioning nut (2) counterclockwise with the combination wrench – approx. 1/4 turn, as far as it will go = 0



- ▶ Pull the water hose out of the guide in the V-belt guard
- ▶ Unscrew the screw (3)
- ▶ Raise the V-belt guard (4) slightly and pull it off to the front

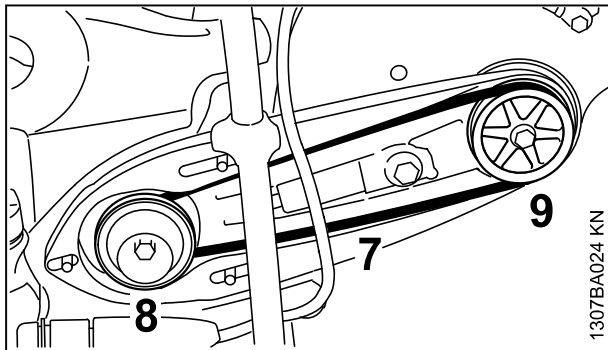


- ▶ Remove the V-belt from the front pulley
- ▶ Remove the nuts (1)
- ▶ Remove the starter cover (5)
- ▶ Do not remove the "cast arm and guard" (6) – hold it in place on the studs until the starter cover is fitted back in position
- ▶ Remove the defective V-belt



- ▶ Push the V-belt guard (4) into place
- ▶ Screw in the bolt (3) and tighten up
- ▶ Insert the water hose into the guide in the V-belt guard (arrows) from the water connection towards the guard – avoid tight radiuses

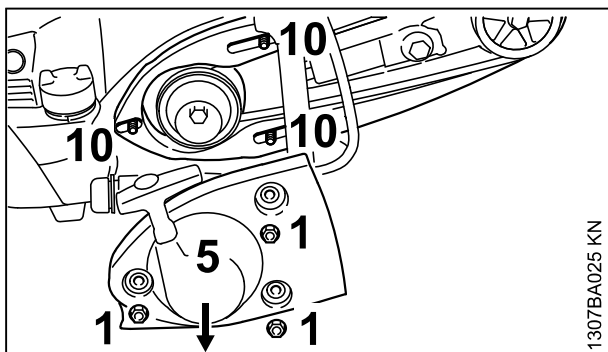
Continue as described in the chapter "Tensioning the V-belt".



- ▶ Carefully insert the new V-belt (7) on the V-belt pulley (8) on the engine and the front V-belt pulley (9)

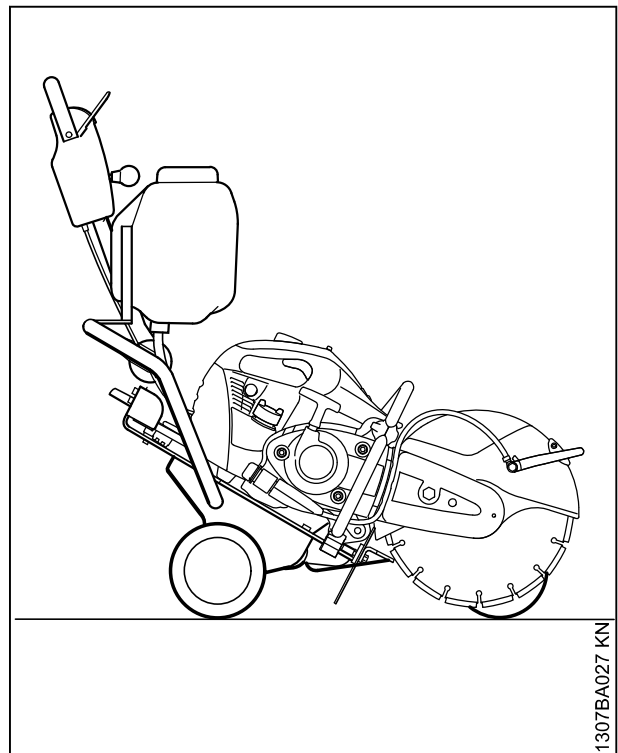
NOTICE

The belt action must run smoothly.



- ▶ Fit the starter cover (5) over the studs (10)
- ▶ Tighten up the nuts (1) by hand

21 Cut-off Machine Cart



The cut-off machine can be mounted on the STIHL cut-off machine cart FW 20 (special accessory) in a few easy steps.

- The cut-off machine cart makes it easier to
- repair damaged roadways
 - apply roadway markings
 - cut expansion joints

22 Storing the Machine

If not used for periods of about 30 days or longer

- ▶ Drain and clean the fuel tank in a well-ventilated area.
- ▶ Dispose of fuel properly in accordance with environmental regulations
- ▶ Remove the cutting wheel
- ▶ Thoroughly clean the machine
- ▶ Store the machine in a dry and secure location. Keep out of the reach of children and other unauthorized persons

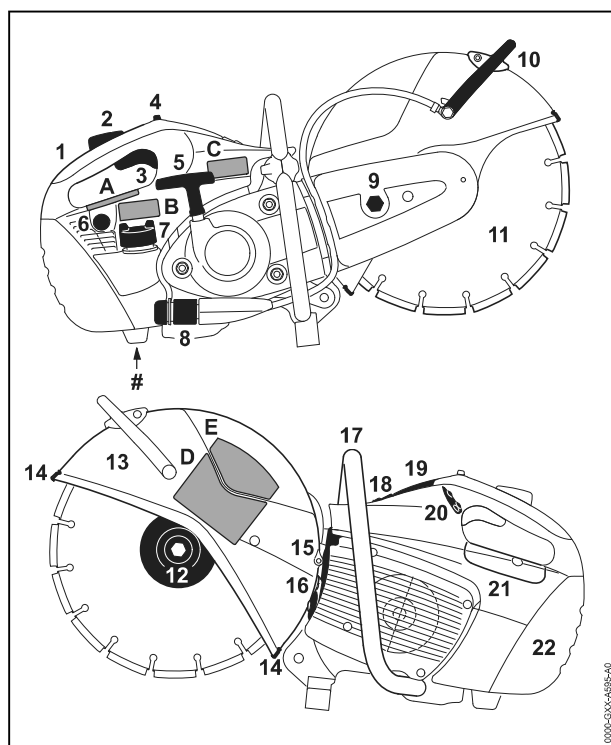
23 Maintenance and Care

The information applies to normal operating conditions. The specified intervals must be shortened accordingly when working for longer than normal or under difficult cutting conditions (extensive dust, etc.).		Before starting work	At the end of work and/or daily	Whenever tank is refilled	Weekly	Monthly	Yearly	If faulty	If damaged	As required
Complete machine	Visual inspection (condition, leaks)	X		X						
	Clean		X							
Controls	Check operation	X		X						
Manual fuel pump (if present)	Inspect	X								
	Have them repaired by a specialist dealer ¹⁾								X	
Fuel pickup body in fuel tank	Inspect							X		
	Replace						X		X	X
Fuel tank	Clean					X				
V belt	Clean/re-tension					X				X
	Replace								X	X
Air filter (all filter components)	Replace	Only if there is a noticeable loss of engine power								
Cooling air intake slits	Clean		X							
Cylinder fins	Have them cleaned by a specialist dealer ¹⁾						X			
Electronic water control	Inspect	x						x		
	repair by authorized dealer ¹⁾								x	
STIHL Injection	Check idle adjustment – abrasive cutting wheel must not rotate	X		X						
	repair by authorized dealer ¹⁾							X		X
Spark plug	Adjust electrode gap							X		
	Replace after 100 hours' operation									
All accessible screws, nuts and bolts	Tighten		X							X
Antivibration elements	Inspect	X						X		X

¹⁾ STIHL recommends the STIHL servicing dealer

The information applies to normal operating conditions. The specified intervals must be shortened accordingly when working for longer than normal or under difficult cutting conditions (extensive dust, etc.).		Before starting work							
		At the end of work and/or daily							
		Whenever tank is refilled							
		Weekly							
		Monthly							
		Yearly							
		If faulty							
		If damaged						X	
		As required							
	Have them replaced by a servicing dealer ¹⁾							X	
Abrasive cutting wheel	Inspect	X		X					
	Replace							X	X
Supports/rubber buffers (underneath the machine)	Inspect		X						
	Replace							X	X
Safety information label	Replace							X	

24 Main Parts



- 1 Rear Handle
- 2 Throttle Trigger Lockout
- 3 Throttle Trigger
- 4 Stop Switch
- 5 Starter Grip
- 6 Manual Fuel Pump

- 7 Fuel Filler Cap
- 8 Water Attachment
- 9 Tensioning Nut
- 10 Adjusting Lever
- 11 Abrasive Wheel
- 12 Front Thrust Washer
- 13 Guard
- 14 Reinforcing Element
- 15 Muffler
- 16 Spark Arresting Screen
- 17 Front Handle
- 18 Decompression Valve
- 19 Cap for Spark Plug Boot
- 20 Water Control Panel
- 21 Cover for Control Unit
- 22 Filter Cover
- # Serial Number
- A Warning Label
- B Warning Label
- C Warning Label
- D Warning Label
- E Warning Label

24.1 Definitions

- 1 Rear Handle

¹⁾ STIHL recommends the STIHL servicing dealer

- Handle for the operator's right hand.
- 2 Throttle Trigger Lockout
Must be depressed before the throttle trigger can be activated.
- 3 Throttle Trigger
Controls the speed of the engine.
- 4 Stop Switch
Switches the engine's ignition off and stops the engine.
- 5 Starter Grip
The grip of the pull cord for starting the engine.
- 6 Manual Fuel Pump
Provides additional fuel feed for a cold start.
- 7 Fuel Filler Cap
For closing the fuel tank opening.
- 8 Water Attachment
For connecting the water supply when wet cutting.
- 9 Tensioning Nut
For tensioning the ribbed belt.
- 10 Adjusting Lever
For adjusting the position of the wheel guard.
- 11 Abrasive Wheel
The cutting attachment, either composite or diamond.
- 12 Front Thrust Washer
Distributes clamping pressure of mounting nut evenly over abrasive wheel.
- 13 Wheel Guard
Covers a portion of the wheel, reducing the risk of injury from kickback and inadvertent contact by the operator and captures and re-directs sparks, cutting debris or wheel fragments.
- 14 Reinforcing Element
Protects the wheel guard against excessive wear.
Reduces the wear of the wheel guard.
- 15 Muffler
Reduces engine exhaust noises and diverts exhaust gases away from operator.
- 16 Spark Arresting Screen
Designed to reduce the risk of fire from exhaust sparks.
- 17 Front Handle
Handle for the left hand.
- 18 Decompression Valve
Releases compression to make engine starting easier - when activated.

- 19 Spark Plug Boot
Connects the spark plug to the ignition lead.
- 20 Water Control Panel
When the engine is running, it is possible to activate / deactivate the electronic water control and adjust the water flow.
- 21 Cover for Control Unit
Covers and protects the control unit.
- 22 Filter Cover
Covers and protects the air filter element.
- Clutch (Not illustrated)
Couples engine to the belt pulley when the engine is accelerated beyond idle speed.
- Belt Pulley (Not illustrated)
The mechanism that drives the ribbed belt and the abrasive wheel.
- Anti-Vibration System (Not illustrated)
The anti-vibration system includes a number of elements designed to reduce the transmission of vibration created by the engine and cutting process to the operator.

25 Specifications

25.1 EPA / CEPA

The Emission Compliance Period referred to on the Emissions Compliance Label indicates the number of operating hours for which the engine has been shown to meet Federal emission requirements.

Category

A = 300 hours
B = 125 hours
C = 50 hours

25.2 STIHL Injection

Control unit with characteristic-curve-driven ignition timing adjustment

load-dependent, characteristic-curve-driven fuel injection

25.3 Electronic water control

The electronic water control allows the optimum water quantity to be supplied to the abrasive cutting wheel. No water is supplied when the tool is idling.

25.4 Engine

STIHL single-cylinder two-stroke engine

25.4.1 TS 480i

Displacement:	72.2cm ³
Cylinder bore:	52 mm
Piston stroke:	34 mm
Engine power:	3.9 kW (5.3 hp) at 9300 1/min
Idle speed:	2500 rpm
Max. spindle speed:	5350 rpm

25.4.2 TS 500i

Displacement:	72.2cm ³
Cylinder bore:	52 mm
Piston stroke:	34 mm
Engine power:	3.9 kW (5.3 hp) at 9300 1/min
Idle speed:	2500 rpm
Max. spindle speed:	5350 rpm

25.5 Spark plug, fuel tank capacity

Spark plug (suppressed):	Bosch WSR 6 F NGK BPMR 7 A STIHL ZK C 14
Electrode gap:	0.5 mm
Fuel tank capacity:	725 cm ³ (0.725 l)

This spark ignition system meets all requirements of the Canadian Interference-Causing Equipment Standard CAN ICES-2/NMB-2.

25.6 Air filter

Main filter (paper filter) and flocked wire mesh auxiliary filter

25.7 Weight

without fuel, without abrasive cutting wheel, with electronic water control

TS 480i:	10.0 kg
TS 500i:	10.2 kg

25.8 Abrasive cutting wheels

The specified maximum permitted operating speed of the abrasive cutting wheel must be greater than or equal to the maximum spindle speed of the cut-off machine used.

25.9 Abrasive cutting wheels (TS 480i)

Outside diameter:	300 mm
Max. thickness:	3.5 mm
Hole diameter/spindle diameter:	20 mm
Tightening torque:	30 Nm

Composite resin abrasive cutting wheels

Minimum outside diameter of thrust washers:	103 mm
Maximum cutting depth:	100 mm

Diamond abrasive cutting wheels

Minimum outside diameter of thrust washers:	103 mm
---	--------

Maximum cutting depth:	100 mm
------------------------	--------

25.10 Abrasive cutting wheels (TS 500i)

Outside diameter:	350 mm
Max. thickness:	4.5 mm
Hole diameter/spindle diameter:	20 mm
Tightening torque:	30 Nm

Composite resin abrasive cutting wheels

Minimum outside diameter of thrust washers:	103 mm
Maximum cutting depth:	125 mm

Diamond abrasive cutting wheels

Minimum outside diameter of thrust washers:	103 mm
Maximum cutting depth:	125 mm


26 Maintenance and Repairs

Users of this machine may only carry out the maintenance and service work described in this user manual. All other repairs must be carried out by a servicing dealer.

STIHL recommends that you have servicing and repair work carried out exclusively by an authorized STIHL servicing dealer. STIHL dealers are regularly given the opportunity to attend training courses and are supplied with the necessary technical information.

When repairing the machine, only use replacement parts which have been approved by STIHL for this power tool or are technically identical. Only use high-quality replacement parts in order to avoid the risk of accidents and damage to the machine.

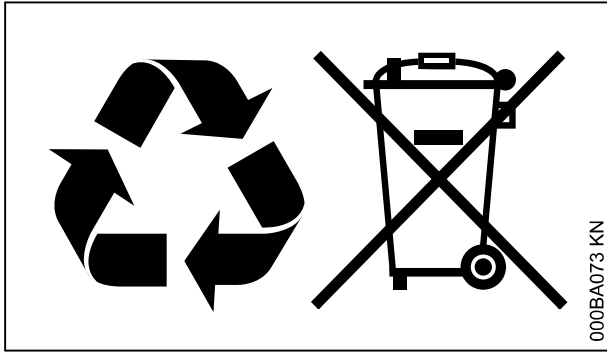
STIHL recommends the use of original STIHL replacement parts.

Original STIHL parts can be identified by the STIHL part number, the **STIHL** logo and the STIHL parts symbol  (the symbol may appear alone on small parts).

27 Disposal

Contact the local authorities or your STIHL servicing dealer for information on disposal.

Improper disposal can be harmful to health and pollute the environment.



- ▶ Take STIHL products including packaging to a suitable collection point for recycling in accordance with local regulations.
- ▶ Do not dispose with domestic waste.

28 STIHL Limited Emission Control Warranty Statement

This statement is given voluntarily, based on the MOU (Memorandum of Understanding) as agreed in April 1999 between Environmental Canada and STIHL Limited

Your Warranty Rights and Obligations

STIHL Limited is pleased to explain the Emission Control System Warranty on your equipment type engine. In Canada new 1999 and later model year small off-road equipment engines must be designed, built and equipped, at the time of sale, to meet the U.S. EPA regulations for small non road engines. The equipment engine must be free from defects in materials and workmanship which cause it to fail to conform with U.S. EPA standards for the first two years of engine use from the date of sale to the ultimate purchaser.

STIHL Limited must warrant the emission control system on your small off-road engine for the period of time listed below provided there has been no abuse, neglect or improper maintenance of your small off-road equipment engine.

Your emissions control system may include parts such as the carburetor or fuel-injection system, the ignition system, and catalytic converter. Also included may be hoses, belts, connectors or other emission-related assemblies.

Where a warrantable condition exists, STIHL Limited will repair your small off-road equipment engine at no cost to you, including diagnosis (if the diagnostic work is performed at an authorized dealer), parts, and labor.

Manufacturer's Warranty Coverage

In Canada 1999 and later model year small off-road equipment engines are warranted for two years. If any emission-related part on your engine is defective, the part will be repaired or replaced by STIHL Limited free of charge.

Owner's Warranty Responsibilities:

As the small off-road equipment engine owner, you are responsible for the performance of the required maintenance listed in your instruction manual. STIHL Limited recommends that you retain all receipts covering maintenance on your small off-road equipment engine, but STIHL Limited cannot deny warranty solely for the lack of receipts or for your failure to ensure the performance of all scheduled maintenance.

Any replacement part or service that is equivalent in performance and durability may be used in non-warranty maintenance or repairs, and shall not reduce the warranty obligations of the engine manufacturer.

As the small off-road equipment engine owner, you should be aware, however, that STIHL Limited may deny you warranty coverage if your small off-road equipment engine or a part has failed due to abuse, neglect, improper maintenance or unapproved modifications.

You are responsible for presenting your small off-road equipment engine to a STIHL service center as soon as a problem exists. The warranty repairs will be completed in a reasonable amount of time, not to exceed 30 days.

If you have any questions regarding your warranty rights and responsibilities, please contact a STIHL customer service representative at www.stihl.ca

or you can write to:

STIHL Ltd.,
1515 Sise Road
Box 5666
CA-LONDON ONTARIO; N6A 4L6

Coverage by STIHL Limited

STIHL Limited warrants to the ultimate purchaser and each subsequent purchaser that your small off-road equipment engine will be designed, built and equipped, at the time of sale, to meet all applicable regulations. STIHL Limited also warrants to the initial purchaser and each subsequent purchaser that your engine is free from defects in materials and workmanship which

cause the engine to fail to conform with applicable regulations for a period of two years.

Warranty Period

The warranty period will begin on the date the utility equipment engine is purchased by the initial purchaser and you have signed and sent back the warranty card to STIHL Ltd. If any emission-related part on your engine is defective, the part will be replaced by STIHL Limited at no cost to the owner. Any warranted part which is not scheduled for replacement as required maintenance, or which is scheduled only for regular inspection to the effect of "repair or replace as necessary" will be warranted for the warranty period. Any warranted part which is scheduled for replacement as required maintenance will be warranted for the period of time up to the first scheduled replacement point for that part.

Diagnosis

You, as the owner, shall not be charged for diagnostic labor which leads to the determination that a warranted part is defective. However, if you claim warranty for a component and the machine is tested as non-defective, STIHL Limited will charge you for the cost of the emission test. Mechanical diagnostic work will be performed at an authorized STIHL servicing dealer. Emission test may be performed either at

STIHL Incorporated,
536 Viking Drive, P.O. Box 2015,
Virginia Beach, VA 23452

or at any independent test laboratory.

Warranty Work

STIHL Limited shall remedy warranty defects at any authorized STIHL servicing dealer or warranty station. Any such work shall be free of charge to the owner if it is determined that a warranted part is defective. Any manufacturer-approved or equivalent replacement part may be used for any warranty maintenance or repairs on emission-related parts and must be provided without charge to the owner. STIHL Limited is liable for damages to other engine components caused by the failure of a warranted part still under warranty.

The following list specifically defines the emission-related warranted parts:

- Air Filter
- Carburetor (if applicable)
- Fuel Pump

- Choke (Cold Start Enrichment System) (if applicable)
- Control Linkages
- Intake Manifold
- Magneto or Electronic Ignition System (Ignition Module or Electronic Control Unit)
- Fly Wheel
- Spark Plug
- Injection Valve (if applicable)
- Injection Pump (if applicable)
- Throttle Housing (if applicable)
- Cylinder
- Muffler
- Catalytic Converter (if applicable)
- Fuel Tank
- Fuel Cap
- Fuel Line
- Fuel Line Fittings
- Clamps
- Fasteners

Where to make a Claim for Warranty Service

Bring the product to any authorized STIHL servicing dealer and present the signed warranty card.

Maintenance Requirements

The maintenance instructions in this manual are based on the application of the recommended 2-stroke fuel-oil mixture (see also instruction "Fuel"). Deviations from this recommendation regarding quality and mixing ratio of fuel and oil may require shorter maintenance intervals.

Limitations

This Emission Control Systems Warranty shall not cover any of the following:

1. repair or replacement required because of misuse, neglect or lack of required maintenance
2. repairs improperly performed or replacements not conforming to STIHL Limited specifications that adversely affect performance and/or durability, and alterations or modifications not recommended or approved in writing by STIHL Limited
3. replacement of parts and other services and adjustments necessary for required maintenance at and after the first scheduled replacement point

Table des matières