

TS 710.0i, 910.0i

STIHL



2 - 27 Instruction Manual



Contents

1	Introduction.....	2
2	Guide to Using this Manual.....	2
3	Overview.....	2
4	Safety Precautions.....	3
5	Preparing the cut-off machine for use.....	11
6	Assembling the cut-off machine.....	11
7	Modifying the cut-off machine.....	12
8	Adjusting the deflector.....	16
9	Mixing the fuel and refueling the cut-off machine.....	17
10	Starting and Stopping the Engine.....	18
11	Checking the cut-off machine.....	19
12	Working with the cut-off machine.....	19
13	After Finishing Work.....	22
14	Transporting.....	22
15	Storing.....	22
16	Cleaning.....	22
17	Maintenance.....	23
18	Repairing.....	23
19	Troubleshooting.....	23
20	Specifications.....	24
21	Cutting wheels.....	25
22	Spare Parts and Accessories.....	26
23	Disposal.....	26
24	EC Declaration of Conformity.....	26
25	UKCA Declaration of Conformity.....	27
26	Addresses.....	27

1 Introduction

Dear Customer,

Thank you for choosing STIHL. We develop and manufacture our quality products to meet our customers' requirements. The products are designed for reliability even under extreme conditions.

STIHL also stands for premium service quality. Our dealers guarantee competent advice and instruction as well as comprehensive service support.

STIHL expressly commit themselves to a sustainable and responsible handling of natural resources. This user manual is intended to help you use your STIHL product safely and in an environmentally friendly manner over a long service life.

We thank you for your confidence in us and hope you will enjoy working with your STIHL product.

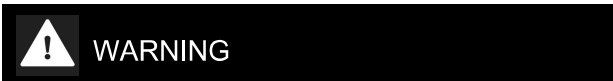


Dr. Nikolas Stihl

IMPORTANT! READ BEFORE USING AND KEEP IN A SAFE PLACE FOR REFERENCE.

2 Guide to Using this Manual

2.1 Symbols used with warnings in the text



WARNING

- This symbol indicates dangers that can cause serious injuries or death.
 - ▶ The measures indicated can avoid serious injuries or death.



NOTICE

- This symbol indicates dangers that can cause damage to property.
 - ▶ The measures indicated can avoid damage to property.

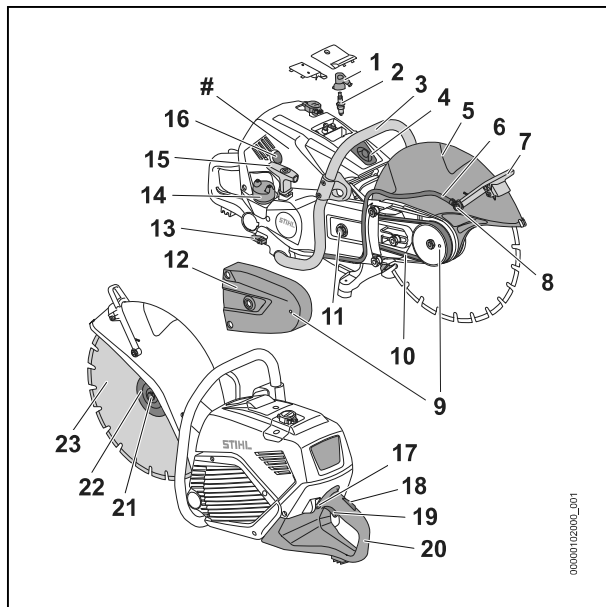
2.2 Symbols in Text



This symbol refers to a chapter in this instruction manual.

3 Overview

3.1 Cut-off machine



- 1 Spark plug boot**
Connects the ignition lead to the spark plug.
- 2 Spark plug**
Ignites the fuel-air mixture in the engine.
- 3 Handlebar**
The handlebar is used to hold, control and carry the cut-off machine.

- 4 Decompression valve**
Eases the engine starts.
- 5 Deflector**
The deflector protects user from flying debris and contact with the cutting wheel.
- 6 Water hose**
The water hose leads the water to the water nozzle.
- 7 Adjusting lever**
The adjusting lever allows the deflector to be adjusted.
- 8 Water nozzle**
The water nozzle allows the binding of dust.
- 9 Spindle locking mechanism**
The spindle lock allows the fitting and removing of the cutting wheel.
- 10 V-ribbed belt**
The V-ribbed belt powers the cutting wheel.
- 11 Tensioning nut**
The tensioning nut allows the detensioning of the V-ribbed belt.
- 12 Belt guard**
The belt guard protects the V-ribbed belt.
- 13 Shut-off valve**
The shut-off cock opens and closes the water supply.
- 14 Fuel tank cap**
The fuel tank cap closes the fuel tank.
- 15 Starter grip**
The starter grip is used for starting the engine.
- 16 Manual fuel pump**
The manual fuel pump makes it easier to start the engine.
- 17 Stop switch**
The stop switch switches the cut-off machine off.
- 18 Throttle trigger lockout**
The throttle trigger lockout unlocks the throttle trigger.
- 19 Throttle trigger**
The throttle trigger is used to control the motor speed.
- 20 Control handle**
The control handle operates, holds and directs the cut-off machine.
- 21 Screw**
The screw secures the thrust washer in position.

- 22 Thrust washer**
The thrust washer secures the cutting wheel in position.
- 23 Cutting wheel**
The cutting wheel separates the material.

Serial number

3.2 Symbols

Meanings of symbols that may be on the cut-off machine:



This symbol marks the fuel tank.



This symbol marks the decompression valve.



This symbol marks the water connection and shut-off cock.



This symbol marks the stop switch.



Guaranteed sound power level in accordance with Directive 2000/14/EC in dB(A) for the purpose of comparing the sound emissions of products.

4 Safety Precautions

4.1 Warning symbols

Cut-off machine

Meaning of warning symbols on the cut-off machine:



Observe safety notices and take the necessary precautions.



Read and understand the User Manual and keep it in a safe place for reference.



Wear safety glasses, hearing protection and a dust mask or respirator.



Work with an undamaged cutting wheel with undamaged spindle bore.



Follow the safety instructions on kick-back and take the necessary precautions.



Observe safety notices on risk of fire due to glowing metal particles and take the necessary precautions.



Do not breathe in dust and vapors created during the work.

4.2 Intended Use

The STIHL TS 710.0i, 910.0i cut-off machine is intended, among others, for the following applications:

- Cutting plates
- Cutting pipes, round and hollow bodies
- Cutting concrete pipes

The cut-off machine is not intended for the following applications:

- Cutting asbestos
- Cutting wood or wooden objects

⚠ WARNING

- Using the cut-off machine and the cutting wheel for purposes for which they were not designed can cause serious or fatal injuries and material damage.
 - ▶ Use the cut-off machine as described in this User Manual.
 - ▶ Use the cutting wheel as described in its User Manual.

4.3 Requirements for users

⚠ WARNING

- Users without adequate training or instruction cannot recognize or assess the risks involved in using the cut-off machine. The user or other persons may sustain serious or fatal injuries.



- ▶ Read and understand the User Manual and keep it in a safe place for reference.

- ▶ If the cut-off machine is passed on to another person: Always give them the User Manual.
- ▶ Make sure that the user meets the following conditions:
 - The user is rested.
 - The user must be in good physical condition and mental health to operate and work with the cut-off machine. If the user is able to operate the equipment but is physically, sensory or mentally impaired, the user may only work with the equipment under the supervision of or after receiving instruction from a responsible person.

- The user is able to recognize and assess the risks involved in using the cut-off machine.
- The user is an adult or is being trained in an occupation under supervision according to national regulations.
- The user has received instruction from a STIHL authorized dealer or other expert before operating the cut-off machine for the first time.
- The user is not under the influence of alcohol, medication or drugs.
 - ▶ If you are unsure: Contact a STIHL authorized dealer.
- The cut-off machine's ignition system produces an electromagnetic field. This field may interfere with some pacemakers. This may result in serious or fatal injury to the user.
 - ▶ If the user has a pacemaker: Make sure the pacemaker is not affected.

4.4 Clothing and equipment

⚠ WARNING

- Long hair may be pulled into the cut-off machine during operation. This may result in serious injury to the user.
 - ▶ Tie up and secure long hair above your shoulders.



- ▶ Wear close-fitting safety glasses. Suitable protective glasses tested in accordance with European standard EN 166, EN ISO 16321 or in accordance with national standards and bearing the corresponding label are available from retailers.

- ▶ Wear a long-sleeved, close fitting top.
- Noise is generated during operation. Noise can damage your hearing.



- ▶ Wear hearing protection.

- If steel is being separated, sparks are produced. Sparks can ignite clothing. This may result in serious injury to the user.
 - ▶ Wear clothing made of flame resistant material (for example, leather or cotton with flame-retardant finish).
 - ▶ Do not wear clothing made of man-made fibers.
 - ▶ Wear clothing without flammable deposits (for example chips, fuel or oil).
- Falling objects may cause head injuries.



- ▶ If objects are likely to fall while working: wear a hard hat.

- Dust can be whipped up during operation: Whipped up dust may damage the respiratory passages and cause allergic reactions.



- ▶ If there is dust: Wear a dust respirator mask.
- ▶ If there is smoke: Wear a respirator.

- The user may come into contact with the moving cutting wheel while working. This may result in serious injury to the user.
 - ▶ Wear work gloves made of robust material.
 - ▶ Wear long pants made of robust material.



- ▶ Wear steel-toed safety boots.

4.5 Working area and surroundings

⚠ WARNING

- Bystanders, children and animals cannot be aware of nor assess the dangers of the cut-off machine and objects being thrown into the air. This may result in serious injury to bystanders, children and animals and damage to property.
 - ▶ Keep bystanders, children and animals away from the working area.
 - ▶ Do not leave the cut-off machine unattended.
 - ▶ Make sure that children cannot play with the cut-off machine.
- Hot exhaust gas is emitted through the muffler while the motor is running. Hot exhaust gas can ignite easily flammable materials and cause a fire.
 - ▶ Keep exhaust gas well away from easily flammable materials.

4.6 Safe Condition

4.6.1 Cut-off machine

The cut-off machine is in a safe condition if the following points are observed:

- The cut-off machine is undamaged.
- The spindle of the cut-off machine is undamaged.
- There is no fuel leaking from the cut-off machine.
- The fuel tank cap is closed.
- The cut-off machine is clean.
- The controls function properly and have not been modified.
- The deflector has been adjusted correctly.

- The cutting wheel is properly mounted.
- Original STIHL accessories designed for this cut-off machine are installed.
- The accessories are correctly installed.

⚠ WARNING

- If not in safe condition, components may no longer operate correctly, safety devices may be disabled and fuel leakage may occur. Persons may be seriously injured or killed.
 - ▶ Work only with an undamaged cut-off machine.
 - ▶ If the spindle is damaged: Do not work with the cut-off machine.
 - ▶ If fuel is leaking from the cut-off machine: Do not use the cut-off machine and contact a STIHL authorized dealer for assistance.
 - ▶ Close the fuel tank cap.
 - ▶ If the cut-off machine is dirty: Clean the cut-off machine.
 - ▶ If the controls do not function properly: Do not use the cut-off machine.
 - ▶ Install original STIHL accessories designed for this cut-off machine.
 - ▶ Mount the guard and cut-off machine as described in this User Manual.
 - ▶ Install accessories as described in this User Manual or in the User Manual for the accessories.
 - ▶ Never insert objects in the cut-off machine's openings.
 - ▶ Replace worn or damaged warning signs.
 - ▶ If you are unsure: Contact a STIHL authorized dealer.

4.6.2 Diamond cutting wheel

The diamond cutting wheel is in a safe condition if the following conditions are met:

- The diamond cutting wheel and its spindle bore are undamaged.
 - The permissible diamond cutting wheel speed must be equal to or greater than the maximum spindle speed of the cut-off machine.
 - The diamond cutting wheel is not deformed or discolored.
 - The hole diameter and the spindle diameter are identical.
- Cutting wheels are exposed to extremely high loads especially during freehand cutting.
- Only use approved and correspondingly labeled cutting wheels with hand-held machines as per EN 13236.
 - Observe the maximum permissible speed of the cutting wheel.

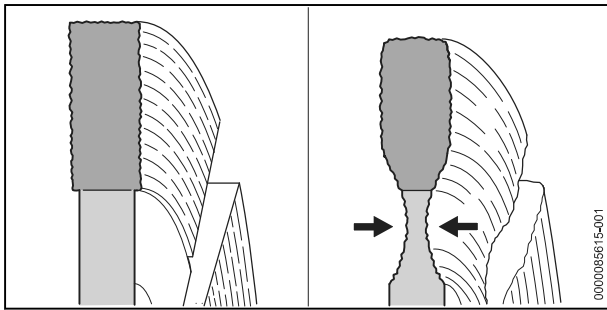
⚠ WARNING



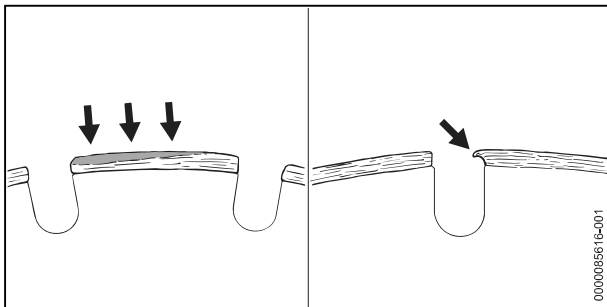
- ▶ Work only with an undamaged diamond cutting wheel with an undamaged spindle bore.



- ▶ Ensure that the permissible diamond cutting wheel speed is equal to or greater than the maximum spindle speed of the cut-off machine.
- ▶ If the diamond cutting wheel is deformed or discolored: Replace the cutting wheel.
- ▶ Ensure that the hole diameter and the spindle diameter are identical and that no adapter sleeve is used.
- ▶ If you are unsure: Contact a STIHL authorized dealer.
- The cut-off machine is not suitable for cutting plastics. A special cutting wheel (D-G80) is available for cutting water-carrying plastic pipes made of PP, PE or PVC.
 - ▶ If you need to cut water-carrying plastic pipes: Use the D-G80 cutting wheel.

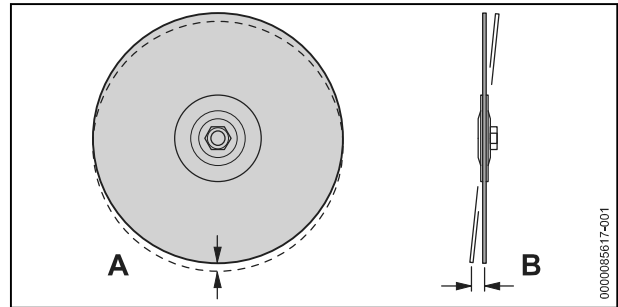


- When cutting roadway pavement, you may cut into the base course (gravel). Cutting into gravel may cause excessive undercut on diamond cutting wheels. The diamond cutting wheel may get damaged.
 - ▶ When cutting roadway pavement: Do not cut into the base course (gravel).



- Built-up edges may take the form of a light gray deposit on the tops of the diamond segments of a diamond cutting wheel. Built-up edges may cover up the diamonds in the segments and blunt the diamond segments. Built-up edges may reinforce the vibration and cause sparks to form. Working with a diamond

- cutting wheel, on which built-up edges have formed, may generate considerable heat. The diamond cutting wheel may get damaged.
- ▶ When built-up edges have formed on the diamond cutting wheel: Replace the diamond cutting wheel.



- When using a diamond cutting wheel, a damaged spindle bearing of the cut-off machine may cause deviations in radial run-out (A) and axial run-out (B). Any deviation in the radial run-out (A) may cause individual diamond segments to overload and overheat. The diamond segments may burn out or the diamond cutting wheel may break. If the case of deviations in the axial run-out (B), the diamond cutting wheel may become too hot and the kerf may become wider.
 - ▶ If the case of deviations in the radial run-out (A) or the axial run-out (B): Replace the diamond cutting wheel.
- Smears form when certain materials stick to the cutting wheel while cutting, in particular when cutting pipes from non-weldable plastic (PP, PE, PVC).
 - ▶ If smears have formed on the diamond cutting wheel: "Dress" the diamond cutting wheel by briefly cutting into rough material such as sandstone, concrete or asphalt.

4.6.3 Resin cutting wheel

The resin cutting wheel is in a safe condition if the following conditions are met:

- The resin cutting wheel and its spindle bore are undamaged.
- The permissible resin cutting wheel speed must be equal to or greater than the maximum spindle speed of the cut-off machine.
- The resin cutting wheel is not deformed or discolored.
- The cutting wheel is not yet past its expiration date.

Cutting wheels are exposed to extremely high loads especially during freehand cutting.

- Only use approved and correspondingly labeled cutting wheels with hand-held machines as per EN 12413.

- Observe the maximum permissible speed of the cutting wheel.

⚠ WARNING



- ▶ Work only with an undamaged cutting wheel with an undamaged spindle bore.



- ▶ Ensure that the permissible resin cutting wheel speed is equal to or greater than the maximum spindle speed of the cut-off machine.

- ▶ If the resin cutting wheel is deformed or discolored: Replace the resin cutting wheel.
- ▶ If the resin cutting wheel has exceeded its expiration date: Replace the resin cutting wheel.
- ▶ If you are unsure: Contact a STIHL authorized dealer.

4.6.4 Deflector

The deflector is in a safe condition if the following points are observed:

- The deflector is not damaged.
- The deflector has been adjusted correctly.

⚠ WARNING

- If not in safe condition, components may no longer operate correctly, and safety devices may be rendered ineffective. This may result in serious injury to the user.
 - ▶ Work only with an undamaged deflector.
 - ▶ Set the deflector correctly.
 - ▶ If you are unsure: Contact a STIHL authorized dealer.

4.7 Fuel mixture and refueling

⚠ WARNING

- This cut-off machine requires a fuel mixture of gasoline and two-stroke engine oil. Mixed fuel and gasoline are extremely flammable. If fuel mixture or gasoline make contact with open fire or hot objects, they can cause a fire or explosions. Persons may be seriously or fatally injured, and property may be damaged.
 - ▶ Protect fuel mixture and gasoline from heat and fire.
 - ▶ Do not spill fuel mixture or gasoline.
 - ▶ If fuel has been spilled: Wipe up fuel with a cloth and do not attempt to start engine until all parts of the cut-off machine are dry.
 - ▶ Do not smoke.
 - ▶ Never refuel near a fire.
 - ▶ Shut off the engine and allow it to cool down before refueling.

- ▶ Start the engine at least 3 meters from the fueling spot, outdoors only.
- Inhaling fuel fumes and gasoline fumes can have toxic effects.
 - ▶ Avoid inhaling fuel fumes or gasoline fumes.
 - ▶ Refuel in a well-ventilated location.
- The cut-off machine will become hot during operation, or in a very hot environment. Depending on the type of fuel, altitude, ambient temperature and the temperature of the cut-off machine, the fuel expands and can cause a build-up of pressure in the tank. Fuel may spray out and ignite when the fuel tank cap is opened. The user may be seriously injured and property damage may occur.
 - ▶ Allow the cut-off machine to cool down before opening the fuel tank cap.
 - ▶ Open the fuel tank cap slowly and not all at once.
- Clothing that has been in contact with fuel or gasoline will ignite more easily. Persons may be seriously or fatally injured, and property may be damaged.
 - ▶ If your clothing comes into contact with fuel or gasoline: Change your clothing.
- Fuel mix, gasoline and two-stroke engine oil can harm the environment.
 - ▶ Do not spill fuel, gasoline or two-stroke engine oil.
 - ▶ Dispose of fuel mix, gasoline and two-stroke engine oil in accordance with local regulations and environmental requirements.
- Fuel, gasoline or two-stroke engine oil can cause irritation if they come into direct contact with the skin or eyes.
 - ▶ Avoid contact with fuel, gasoline and two-stroke engine oil.
 - ▶ If skin contact occurs: Wash affected areas of skin with plenty of water and soap.
 - ▶ In the event of contact with eyes: Rinse eyes with plenty of water for at least 15 minutes and consult a doctor.
- The cut-off machine's ignition system produces sparks. Unconfined sparks may cause a fire or an explosion in an easily combustible or explosive environment. Persons may be seriously or fatally injured, and property may be damaged.
 - ▶ Use the spark plugs described in this instruction manual.
 - ▶ Insert and tighten down the spark plug.
 - ▶ Press the spark plug boot firmly into place.
- The cut-off machine can be damaged if it is run on a fuel mixture consisting of unsuitable

gasoline or an unsuitable two-stroke engine oil or if an incorrect mix ratio of gasoline and two-stroke engine oil is used.

- ▶ Mix the fuel as described in this User Manual.
- The mixture of gasoline and two-stroke engine oil can separate or age if it is stored for a long period. The cut-off machine can be damaged if fueled with old fuel or a fuel mix that has separated.
 - ▶ Before refueling the cut-off machine: Thoroughly mix the fuel.
 - ▶ Use a mixture of gasoline and two-stroke engine oil that is not older than 30 days (STIHL MotoMix: 5 years).

4.8 Working

4.8.1 Working

WARNING

- Always work within calling distance of others so that you can summon help in an emergency.
 - ▶ Make sure that people are within earshot outside the working area.
- If the engine is not started properly, the user may lose control of the cut-off machine. This may result in serious injury to the user.
 - ▶ Start the engine as described in this User Manual.
 - ▶ If the cutting wheel is touching the ground or objects: Do not start the engine.
- In certain situations, the user may no longer be able to concentrate on their work. This may result in the user stumbling, falling and suffering serious injury.
 - ▶ Work calmly and methodically.
 - ▶ If light and visibility are poor: Do not work with the cut-off machine.
 - ▶ Operate the cut-off machine alone.
 - ▶ Do not work above shoulder height.
 - ▶ Do not lean too far forwards and never bend over the cutting wheel.
 - ▶ Do not work on an unstable surface.
 - ▶ Do not work with just one hand.
 - ▶ Watch out for obstacles.
 - ▶ Examine the workplace. Check piping and electrical wiring.
 - ▶ Work standing on the ground and keep your balance. If it is necessary to work at heights: Use a bucket lift.
 - ▶ If you start feeling fatigue: Take a break.
- Exhaust gas is produced when the engine is running. Breathing in exhaust gas can have

toxic effects. Breathing in exhaust gas can have toxic effects.

- ▶ Avoid inhaling exhaust gas.
- ▶ Operate the cut-off machine in a well ventilated location.
- ▶ In the event of nausea, headache, visual disturbances, problems with hearing or dizziness: Stop work and seek medical advice.
- The user's ability to hear and assess noises is restricted when wearing hearing protection with the engine running.
 - ▶ Work calmly and methodically.
- The cutting wheel may cut the user. This may result in serious injury to the user.
 - ▶ Never touch cutting wheel.
 - ▶ If the cutting wheel is blocked by an object: Shut off the engine. Only then remove the object.



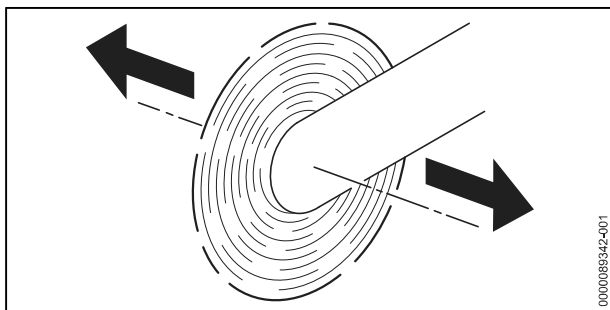
- ▶ Do not work with a circular saw blade or other toothed tools.
- ▶ The teeth of the circular saw blade can become entangled. This may result in serious injury to the user.
- If the behavior of the cut-off machine changes during operation or feels unusual, it may no longer be in a safe condition. This may result in serious injury to people and damage to property.
 - ▶ Stop work and consult a STIHL authorized dealer.
- Vibrations may occur while using the cut-off machine.
 - ▶ Wear gloves.
 - ▶ Take breaks.
 - ▶ If signs of a circulatory disorder occur: Consult a doctor.
- Sparks may fly while working. Sparks may cause fires and explosions in highly flammable or explosive environments. Persons may be seriously or fatally injured, and property may be damaged.
 - ▶ Do not work in a highly flammable or explosive environment.
 - ▶ Ensure that pipes, metal tanks or other containers do not contain any volatile or inflammable substances.
- Note that the cutting wheel continues to run for a short period after you release the trigger. People may suffer serious injuries as a result.
 - ▶ Wait until the cutting wheel is no longer rotating.



4.9 Reactive Forces

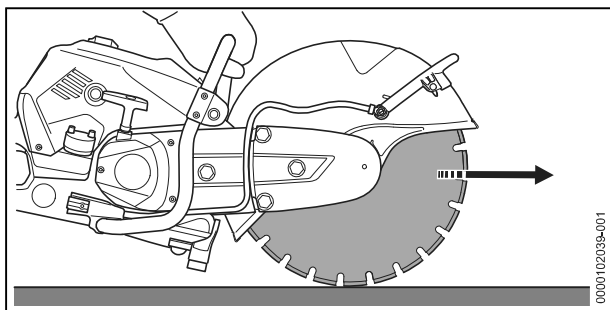
4.9.1 Gyroscopic force

▲ WARNING



- When a cut-off machine with a rotating cutting wheel moves in the direction of the arrow, gyroscopic force may be produced. This gyroscopic force can cause the cut-off machine to tip over. The operator can lose control of the cut-off machine and be seriously or fatally injured.
 - ▶ Hold the cut-off machine securely with both hands.
 - ▶ Do not swivel the cut-off machine.
 - ▶ Work as described in this User Manual.

4.9.2 Pull away from

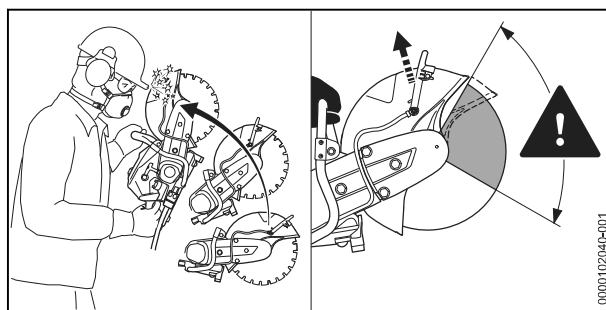


The cut-off machine is pulled away from the user if the bottom of the cutting wheel is used for cutting.

▲ WARNING

- If the rotating cutting wheel makes contact with a hard object and is suddenly slowed down, the cut-off machine may be abruptly jerked away from the operator. The operator may lose control of the cut-off machine and be seriously or fatally injured.
 - ▶ Hold the cut-off machine firmly with both hands.
 - ▶ Work as described in this User Manual.
 - ▶ The cutting wheel must be guided straight in the cut.
 - ▶ Do not use for lateral grinding or scrubbing.
 - ▶ Work with the engine running at full throttle.

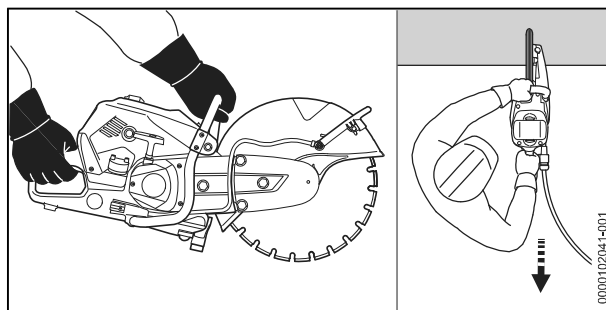
4.9.3 Kickback



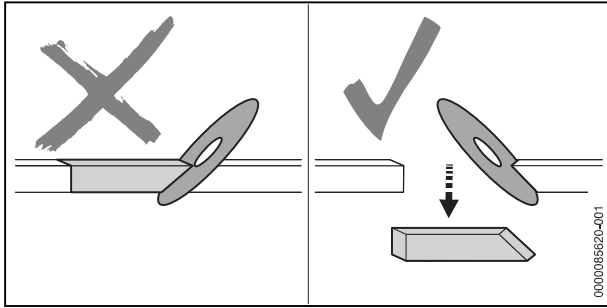
Kickback can be caused for the following reasons:

- The rotating cutting wheel in the upper quadrant of the bar nose makes contact with a hard object and brakes suddenly.
- The rotating cutting wheel is jammed.

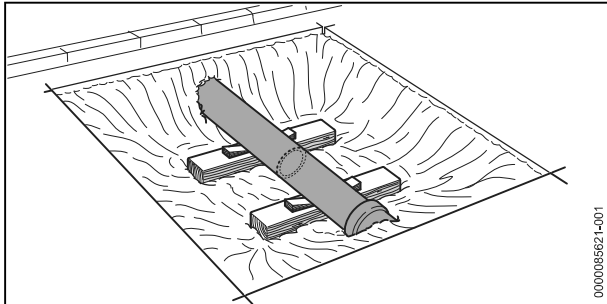
▲ WARNING



- If a kickback occurs, the cut-off machine may be thrown up in the direction of the user. The operator may lose control of the cut-off machine and be seriously or fatally injured.
 - ▶ Hold the cut-off machine firmly with both hands.
 - ▶ Always keep your body out of the plane of the cut-off machine.
 - ▶ Work as described in this User Manual.
 - ▶ Do not use the upper quarter of the cutting wheel for cutting.
 - ▶ Work with the engine running at full throttle.
 - ▶ Pull the cutting wheel into the cut if possible. It must never be pushed.
 - ▶ Do not use circular saw blades, carbide, rescue or wood cutting attachments or saws of any kind.
 - ▶ If a diamond cutting wheel is used: Apply wet cutting.
 - ▶ If the diamond cutting wheel flutters: Replace diamond cutting wheel.
 - ▶ Do not use diamond cutting wheel with lateral coating.
 - ▶ If a resin cutting wheel is used that is only suitable for wet cutting: Apply wet cutting.



- The wedge effect can cause the cutting wheel to be slowed down; the operator can lose control of the cut-off machine and be seriously or fatally injured.
 - ▶ Avoid wedge effect.
 - ▶ Always be aware that the object to be cut may move and other factors may cause the cut to close and jam the cutting wheel.
 - ▶ The object to be cut must be secured and supported so that the kerf remains open during and after cutting.
 - ▶ Make sure that the object to be cut is not hollow, is secured against oscillations and cannot roll or slip.



- The pipe can slip due to material that comes loose. The operator may lose control of the cut-off machine and be seriously or fatally injured.
 - ▶ Support an uncovered pipe so that it is stable and capable of bearing weight.

4.10 Cut-off machine

⚠ WARNING

- When dry cutting, the cutting wheel can become hot. There is a risk of burn injuries.
 - ▶ Do not touch hot cutting wheel.
- The cut-off machine may tip over or shift during transport. People may be injured or property may be damaged.
 - ▶ Shutting off the engine
 - ▶ Remove the cutting wheel.
 - ▶ Secure the cut-off machine with lashing straps, belts or a net to prevent it from turning over and moving.

- The muffler and engine may be hot after a period of operation. There is a risk of burn injuries.
 - ▶ Carry the cut-off machine by the handlebar with your right hand so that the cutting wheel is pointing backwards.

4.11 Storage

⚠ WARNING

- Children are not aware of and cannot assess the dangers of the cut-off machine. Children may be seriously injured.
 - ▶ Shut off the engine.
 - ▶ Remove the cutting wheel.
 - ▶ Store the cut-off machine out of the reach of children.
- Moisture may cause the electrical contacts on the cut-off machine and metal components to corrode. The cut-off machine may be damaged.
 - ▶ Store the cut-off machine in a clean and dry condition.

4.12 Cleaning, maintenance and repair

⚠ WARNING

- The cutting wheel can start up unintentionally if the engine is running during cleaning, maintenance or repair operations. This may result in serious injury to people and damage to property.
 - ▶ Shut off the engine.
- The muffler of the engine and the cutting wheel may be hot after a period of operation. This can result in burn injuries.
 - ▶ Wait until the muffler, engine and cutting wheel have cooled down.
- Harsh detergents, cleaning with a water jet or sharp objects can damage the cut-off machine and the cutting wheel. If the cut-off machine or cutting wheel is not cleaned correctly, components may no longer function properly or safety devices may be rendered inoperative. People may suffer serious injuries as a result.
 - ▶ Mount the cut-off machine and cutting wheel as described in this User Manual.
- If the cut-off machine and cutting wheel are not serviced or repaired correctly, components may no longer function properly or safety devices may be rendered inoperative. Persons may be seriously injured or killed.
- If the cut-off machine is not maintained as described in this User Manual, components may no longer function properly or safety devi-

ces may be rendered inoperative. Persons may be seriously injured or killed.

- ▶ Service or repair the cut-off machine as described in this User Manual.

5 Preparing the cut-off machine for use

5.1 Preparing the cut-off machine

The following steps must be performed before commencing work:

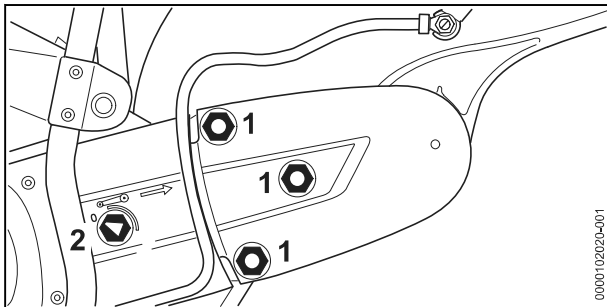
- ▶ Ensure that the following components are in a safe condition:
 - Cut-off machine, [📖 4.6.1](#).
 - Cutting wheel, [📖 4.6.2](#).
- ▶ Clean the cut-off machine, [📖 16.1](#).
- ▶ Adjust the deflector, [📖 8.1](#)
- ▶ Make sure that the deflector is correctly fitted for the task at hand and modify, if necessary.
- ▶ Install the cutting wheel, [📖 6.3](#).
- ▶ Refuel the cut-off machine, [📖 9.2](#).
- ▶ Check the controls, [📖 11.1](#).
- ▶ Tension the V-ribbed belt, [📖 6.1](#).
- ▶ Connect water supply, [📖 12.8](#).
- ▶ If you cannot carry out these steps: Do not use the cut-off machine and instead contact a STIHL authorized dealer for assistance.

6 Assembling the cut-off machine

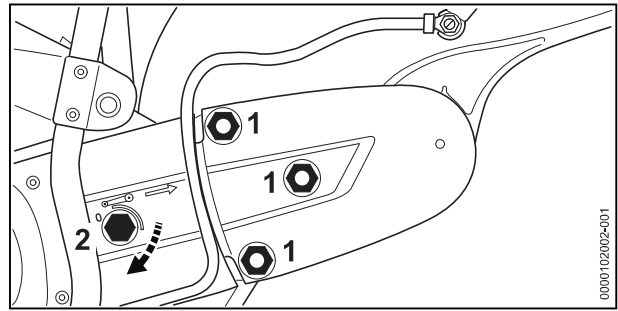
6.1 Tensioning the V-ribbed belt

This cut-off machine is equipped with an automatic spring-action V-ribbed belt tensioning device.

- ▶ Shut off the engine.



- ▶ Loosen the nuts (1).
- ▶ Turn the tensioning nut (2) counterclockwise until the arrow of the tensioning nut points to 0. The tensioning nut (2) is released.

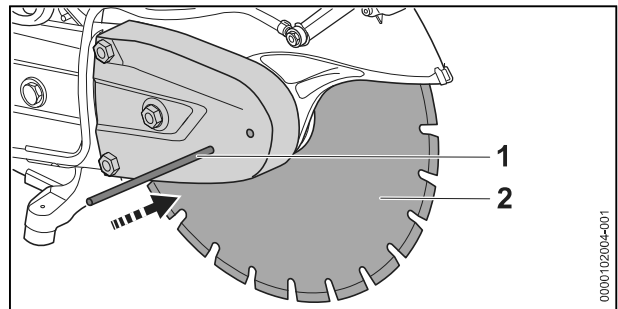


- ▶ Turn the tensioning nut (2) clockwise by 1/8 turn until resistance is felt without exerting any additional force. The V-ribbed belt is tensioned by the force of the spring.
- ▶ Tighten the nuts (1).

6.2 Locking the shaft

The shaft must be blocked before fitting and removing the cutting wheel.

- ▶ Shut off the engine.

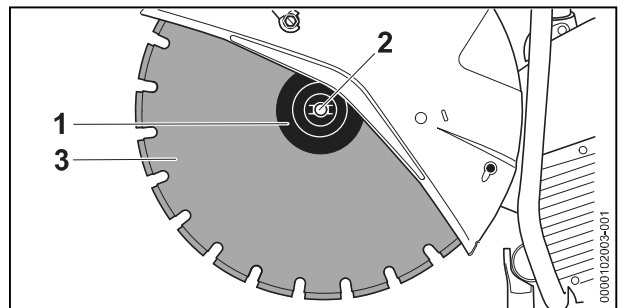


- ▶ Slide the stop pin (1) through the bore in the belt guard.
- ▶ Turn cutting wheel (2) until the stop pin engages in a bore. The shaft is now blocked.

6.3 Installing the cutting wheel

The cutting wheels that can be used are listed in the specifications, [📖 21](#).

- ▶ Shut off the engine.

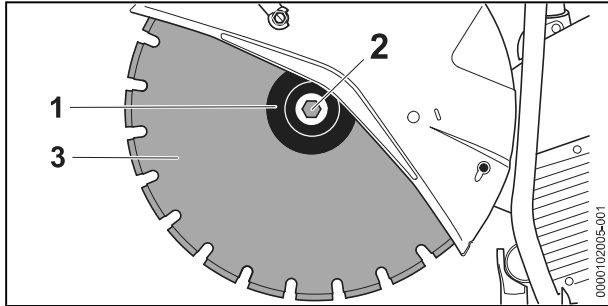


- ▶ Fit the cutting wheel (3).

- ▶ If you are fitting a diamond cutting wheel: The arrows of the diamond cutting wheel must face in the same direction as the arrow on the deflector.
- ▶ Position the thrust washer (1) onto the cutting wheel (3) in such a way that the words "TOP SIDE" are visible.
- ▶ Screw in the screw (2).
- ▶ Tighten the screw (2) with a tightening torque of 30 Nm.

6.4 Removing the cutting wheel

- ▶ Shut off the engine.



- ▶ Loosen and remove the screw (2).
- ▶ Remove cutting wheel (3) together with the thrust washer (1).

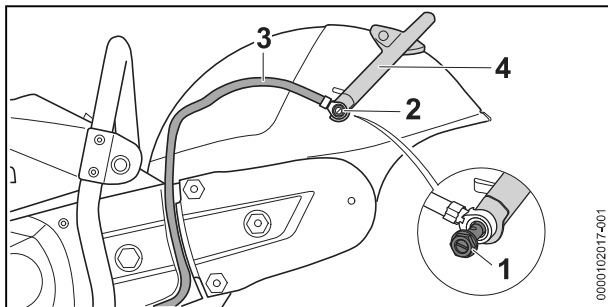
7 Modifying the cut-off machine

7.1 Mounting the "support with guard" outside (TS 710.0i)

The "support with guard" can also be mounted on the outboard side depending on requirements.

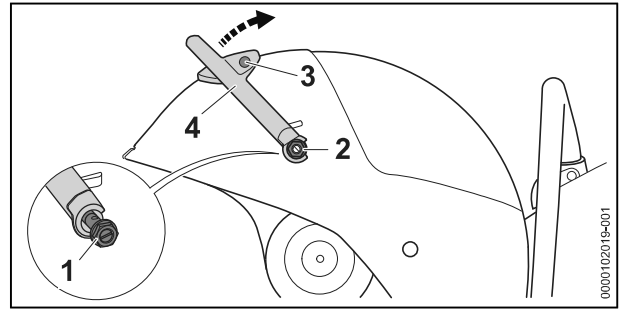
- ▶ Shut off the engine.
- ▶ Remove the cutting wheel.

Disconnecting the water connection



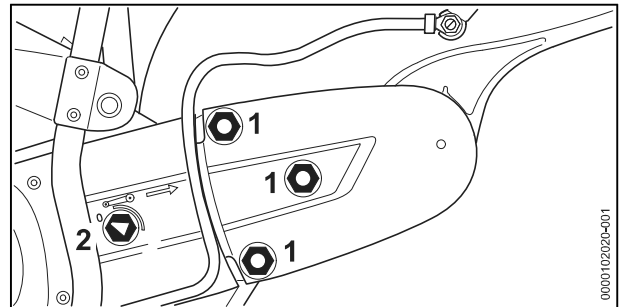
- ▶ Unscrew the banjo bolt (1).
- ▶ Remove the nut (1) from the guide from the inboard side of the guard.
- ▶ Remove the water hose (2) with connector from the adjusting lever (3).

Removing the adjusting lever



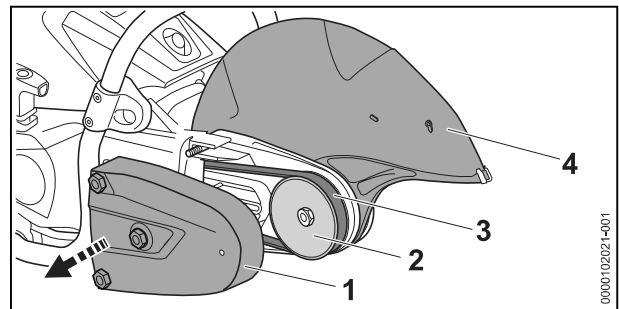
- ▶ Unscrew the banjo bolt (1).
- ▶ Remove the gasket.
- ▶ Remove the nut (1) from the guide from the inboard side of the guard.
- ▶ Take out the screw (2) and remove with gasket.
- ▶ Turn the adjusting lever (3) upwards and remove.

Slackening the V-ribbed belt



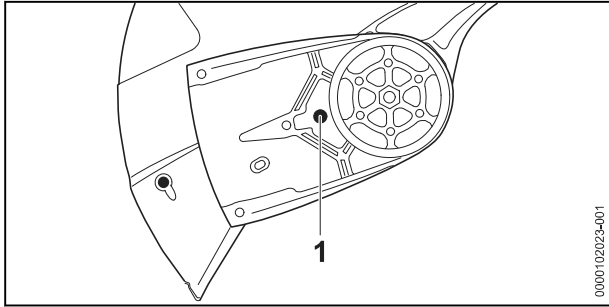
- ▶ Loosen the nuts (1).
- ▶ Turn the tensioning nut (2) counterclockwise until the arrow of the tensioning nut points to 0.

Removing the V-belt guard

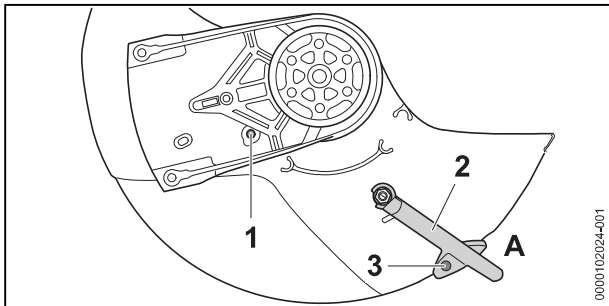


- ▶ Remove the belt guard (1).
- ▶ Remove the V-ribbed belt (2) from the front belt pulley (3).
- ▶ Remove the guard (4).

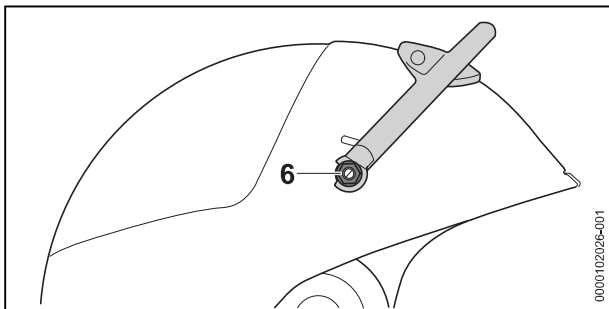
Prepare the "support with guard" for outboard mounting



- ▶ Remove the nuts (1).

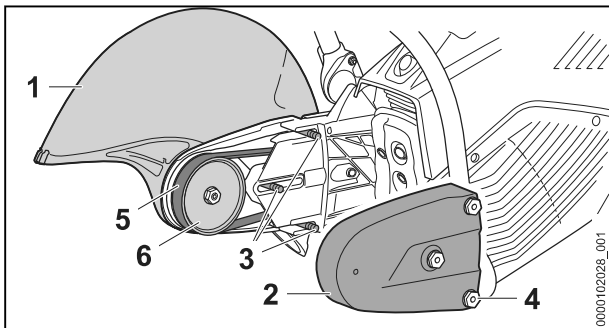


- ▶ Rotate the guard.
- ▶ Screw in nuts (1) and firmly tighten.
- ▶ Push adjusting lever (2) to position A.
- ▶ Insert the screw (3) and tighten it securely.



- ▶ Turn the "support with guard".
- ▶ Place the nut (6) into the guide on the inboard side of the guard and hold it down.
- ▶ Insert the screw with gasket (6) on the adjusting lever and firmly tighten.

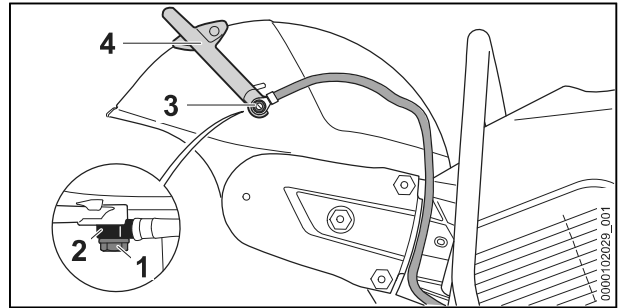
Mount the "support with guard" outside



- ▶ Place the "support with guard" (1) on outboard side.

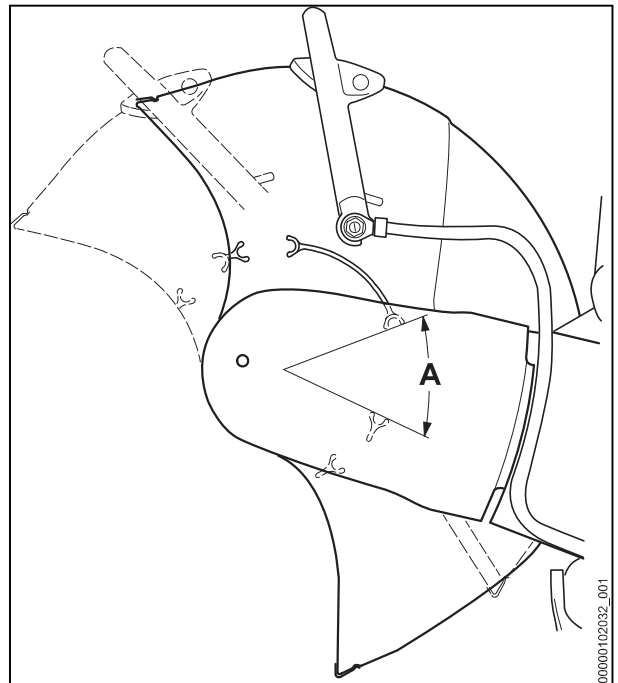
- ▶ Guide the V-ribbed belt (5) over the belt pulley (6).
- ▶ Check whether the belt action runs smoothly. The V-ribbed belt must be correctly mounted.
- ▶ Tension the V-ribbed belt. 6.1
- ▶ Place the belt guard (2).
- ▶ Fit nuts (4) on the screws (3) and firmly tighten them.

Connecting the water connection



- ▶ Push long screw (1) through the connector (2) on the water hose.
- ▶ Insert the banjo bolt (1) into the guide in the guard and hold it in place.
- ▶ Place connector with banjo bolt (3) on adjusting lever (4).
- ▶ Screw in the banjo bolt (1) and firmly tighten.


Checking the adjustment range of the guard



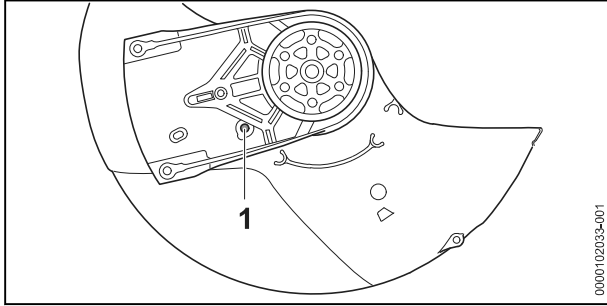
- ▶ Turn the guard forwards and backwards as far as stop. The adjustment range A is limited by the stop pin.

Inboard mounting (TS 710.0i)

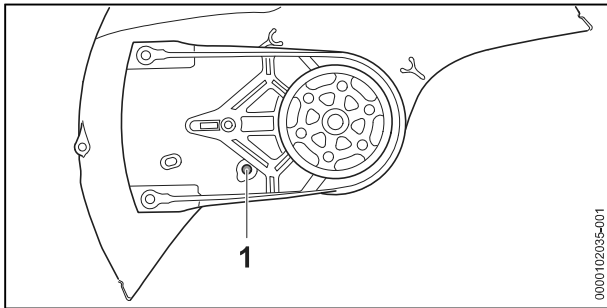
- ▶ Shut off the engine.

- ▶ Remove the cutting wheel.  6.4
- ▶ Remove the water hose.
- ▶ Remove the adjusting lever.
- ▶ Slacken the V-ribbed belt.
- ▶ Remove the V-belt guard.
- ▶ Remove the "support with guard".

Prepare the "support with guard" for inboard mounting

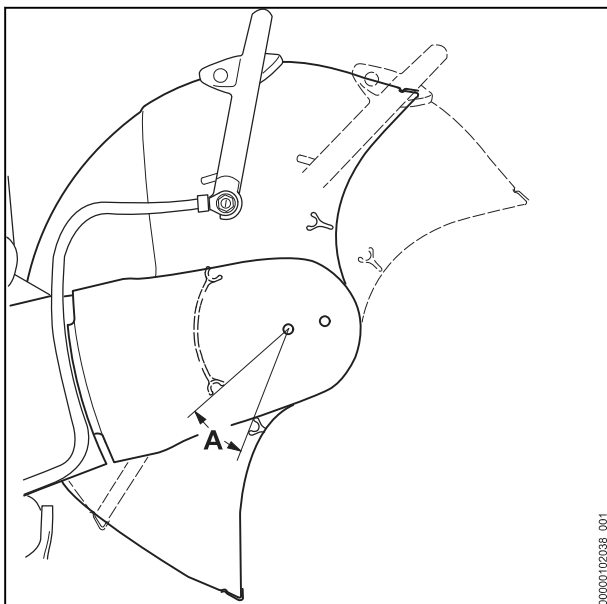


- ▶ Remove the nuts (1).



- ▶ Rotate the guard.
- ▶ Screw in nuts (1) and firmly tighten.
- ▶ Install the adjusting lever.
- ▶ Mount the "support with guard".
- ▶ Install the belt guard.
- ▶ Connect the water hose.

Checking the adjustment range of the guard



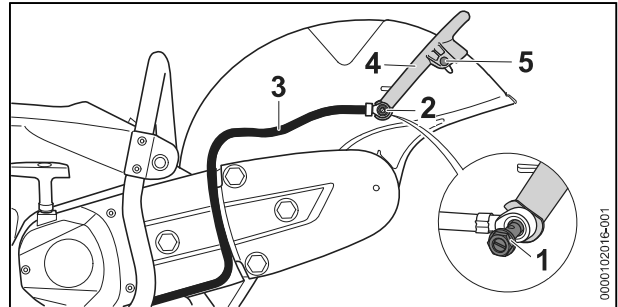
- ▶ Turn the guard forwards and backwards as far as stop.
The adjustment range A is limited by the stop pin.

7.2 Mounting the "support with guard" outside (TS 910.0i)

The "support with guard" can also be mounted on the outboard side depending on requirements.

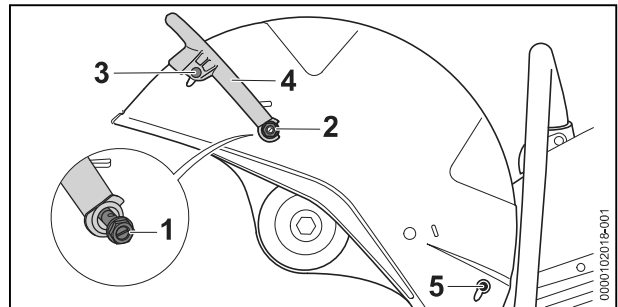
- ▶ Shut off the engine.
- ▶ Remove the cutting wheel.

Disconnecting the water connection



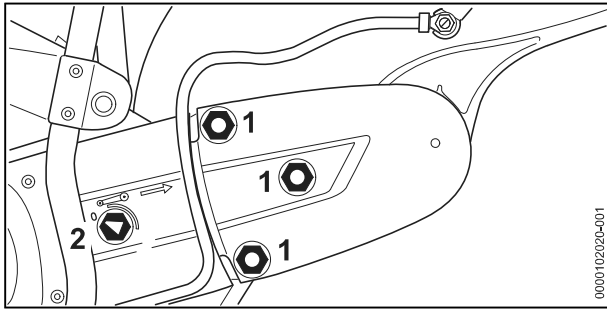
- ▶ Unscrew the banjo bolt (1).
- ▶ Remove the nut (2) from the guide from the inboard side of the guard.
- ▶ Remove the water hose (3) with connector from the adjusting lever (4).
- ▶ Unscrew screw (5).

Removing the adjusting lever



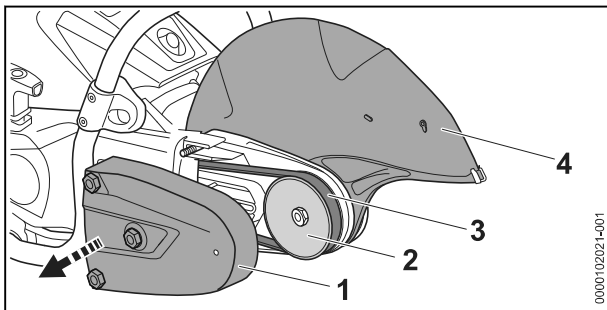
- ▶ Undo the banjo bolt (1) and remove the bolt and gasket.
- ▶ Remove the nut (1) from the guide from the inboard side of the guard.
- ▶ Unscrew screws on both sides (3) and remove with the gasket.
- ▶ Turn the adjusting lever (4) upwards and remove.
- ▶ Remove the sealing plug (5).

Slackening the V-ribbed belt



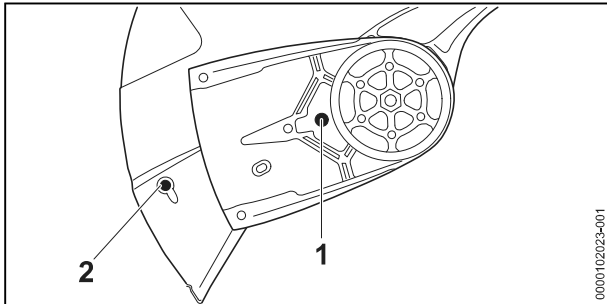
- ▶ Loosen the nuts (1).
- ▶ Turn the tensioning nut (2) counterclockwise until the arrow of the tensioning nut points to 0.

Removing the V-belt guard

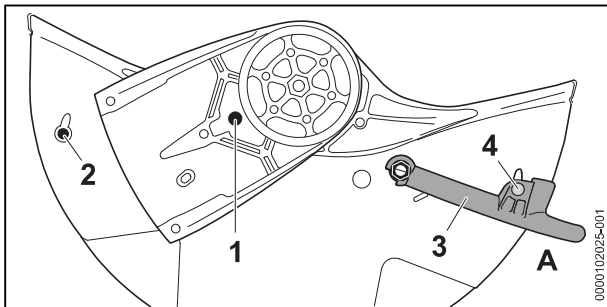


- ▶ Remove the belt guard (1).
- ▶ Remove the V-ribbed belt (3) from the front belt pulley (2).
- ▶ Remove the guard (4).

Preparing the support with guard for outboard mounting

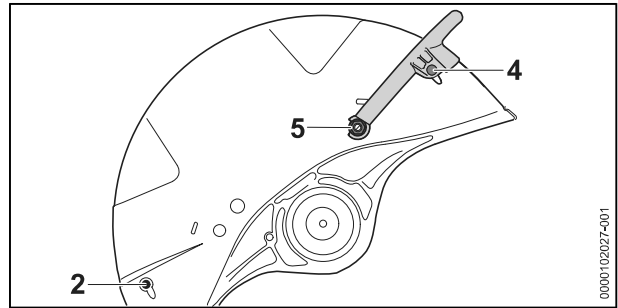


- ▶ Remove the stop pin (1).
- ▶ Remove the sealing plug (2).



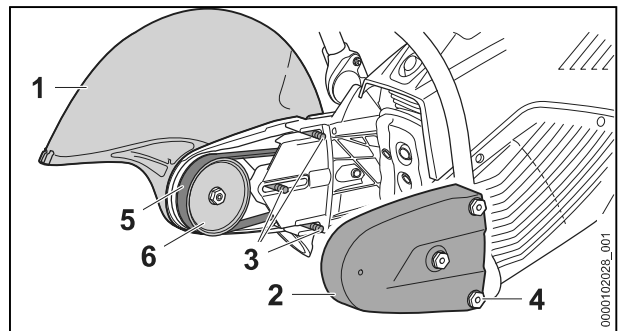
- ▶ Rotate the guard.

- ▶ Screw in nuts (1) and firmly tighten.
- ▶ Insert the sealing plug (2).
- ▶ Push adjusting lever (3) to position A.
- ▶ Insert the screw (4) and tighten it securely.



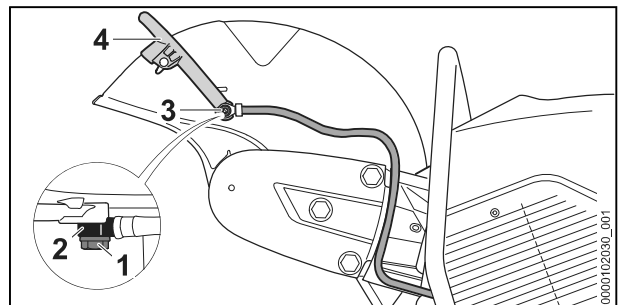
- ▶ Turn the "support with guard".
- ▶ Insert the banjo bolt (5) into the guide in the guard and hold it in place.
- ▶ Screw in the screw (5).
- ▶ Insert the screw with gasket (4) on both sides on the adjusting lever and firmly tighten.
- ▶ Firmly tighten the screw (5).
- ▶ Insert the sealing plug (2).

Mounting the support with guard outside



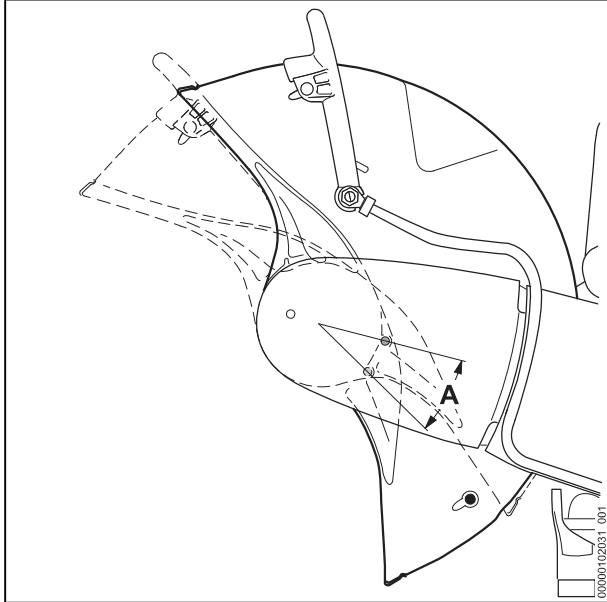
- ▶ Place the "support with guard" (1) on outboard side.
- ▶ Guide the V-ribbed belt (5) over the belt pulley (6).
- ▶ Check whether the belt action runs smoothly. The V-ribbed belt must be correctly mounted.
- ▶ Tension the V-ribbed belt. 6.1
- ▶ Place the belt guard (2).
- ▶ Fit nuts (4) on the screws (3) and firmly tighten them.

Connecting the water connection



- ▶ Push banjo bolt (1) through the connector (2) on the water hose.
- ▶ Place the nut (1) into the guide on the inboard side of the guard and hold it down.
- ▶ Place connector with banjo bolt (3) on adjusting lever (4).
- ▶ Screw in the banjo bolt (1) and firmly tighten.

Checking the adjustment range of the guard

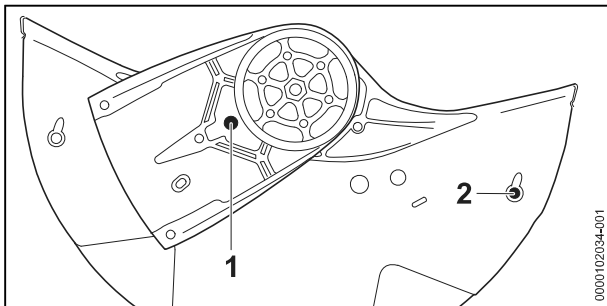


- ▶ Turn the guard forwards and backwards as far as stop.
The adjustment range A is limited by the stop pin.

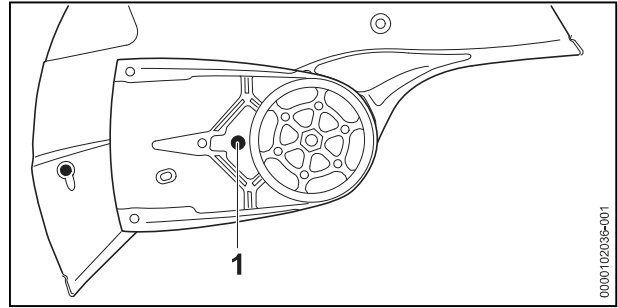
Inboard mounting (TS 910.0i)

- ▶ Shut off the engine.
- ▶ Remove the cutting wheel. 6.4
- ▶ Remove the water hose.
- ▶ Remove the adjusting lever.
- ▶ Slacken the V-ribbed belt.
- ▶ Remove the V-belt guard.
- ▶ Remove the "support with guard".
- ▶ Remove the sealing plug.

Preparing the support with guard for inboard mounting

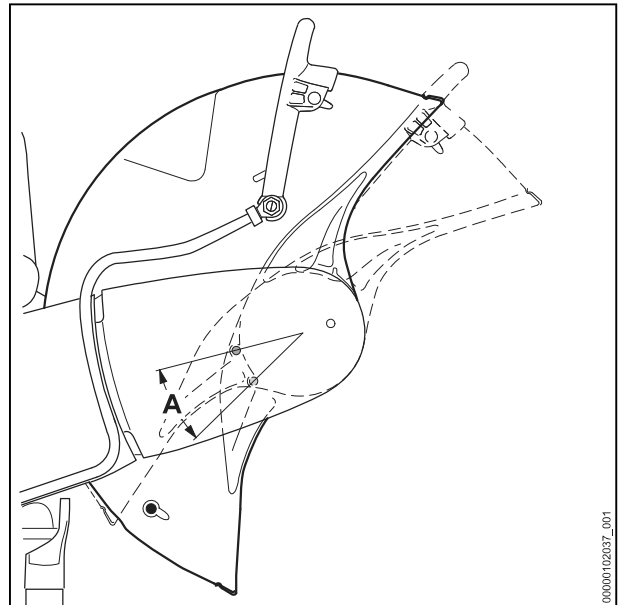


- ▶ Remove the nuts (1).
- ▶ Insert the sealing plug (2).



- ▶ Rotate the guard.
- ▶ Screw in nuts (1) and firmly tighten.
- ▶ Install the adjusting lever.
- ▶ Mount the "support with guard".
- ▶ Install the belt guard.
- ▶ Connect the water hose.

Checking the adjustment range of the guard



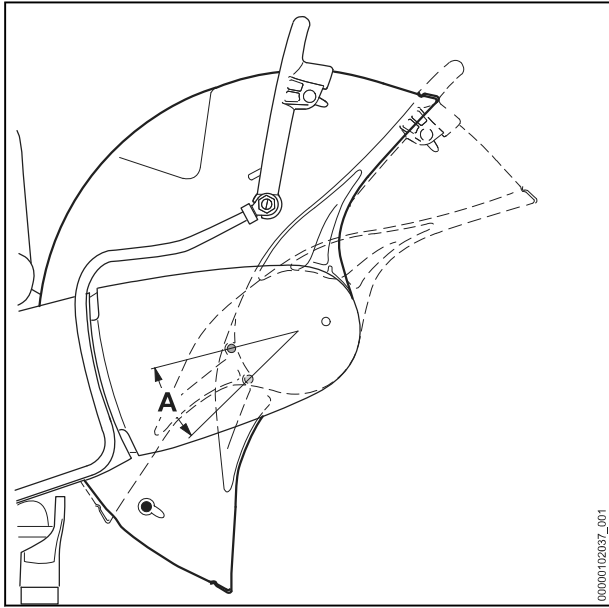
- ▶ Turn the guard forwards and backwards as far as stop.
The adjustment range A is limited by the stop pin.

8 Adjusting the deflector

8.1 Adjusting the deflector

The deflector is infinitely variable. The adjustment range A is limited by the stop pin B.

- ▶ Shut off the engine.



- ▶ Set the deflector.

9 Mixing the fuel and refueling the cut-off machine

9.1 Mixing fuel

The fuel required for this cut-off machine is a mixture of two-stroke engine oil and gasoline in a mixing ratio of 1:50.

STIHL recommends you use premixed STIHL MotoMix.

If you mix the fuel yourself, use only STIHL two-stroke engine oil or another high-performance engine oil classified as JASO FB, JASO FC, JASO FD, ISO-L-EGB, ISO-L-EGC or ISO-L-EGD.

STIHL specifies STIHL HP Ultra two-stroke engine oil or an equivalent high-performance engine oil in order to maintain emission limits over the machine's service life.

- ▶ Make sure that the octane number of the gasoline is at least 90 RON and the ethanol content is not more than 10% (for Brazil: 27%).
- ▶ Make sure the two-stroke engine oil you are using meets requirements.
- ▶ Depending on the desired amount of fuel, determine the correct amounts of two-stroke engine oil and gasoline in a mixing ratio of 1:50. Examples for fuel mixes:
 - 20 ml Two-stroke engine oil, 1 l gasoline
 - 60 ml Two-stroke engine oil, 3 l gasoline
 - 100 ml Two-stroke engine oil, 5 l gasoline
- ▶ Pour two-stroke engine oil into a clean approved fuel canister first and then add gasoline.

- ▶ Mix the fuel thoroughly.

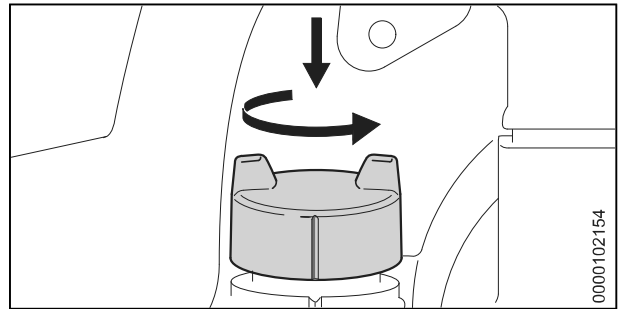
9.2 Refueling the cut-off machine

- ▶ Shut off the engine.
- ▶ Allow the cut-off machine to cool down.
- ▶ Place your cut-off machine on a level surface so that the fuel tank cap faces up.
- ▶ Use a damp cloth to clean the area around the fuel tank cap.



WARNING

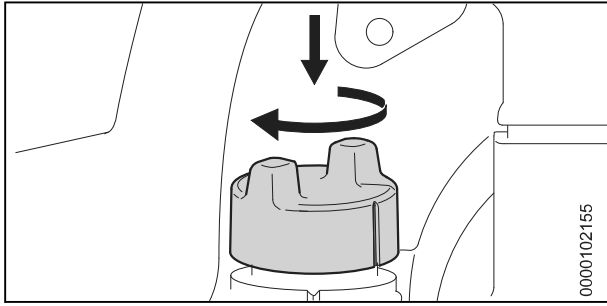
- The cut-off machine will become hot during operation, or in a very hot environment. Depending on the type of fuel, altitude, ambient temperature and the temperature of the cut-off machine, the fuel expands and can cause a build-up of pressure in the tank. Fuel may spray out and ignite when the fuel tank cap is opened. The user may be seriously injured and property damage may occur.
 - ▶ Allow the cut-off machine to cool down before opening the fuel tank cap.
 - ▶ Open the fuel tank cap slowly and not all at once.



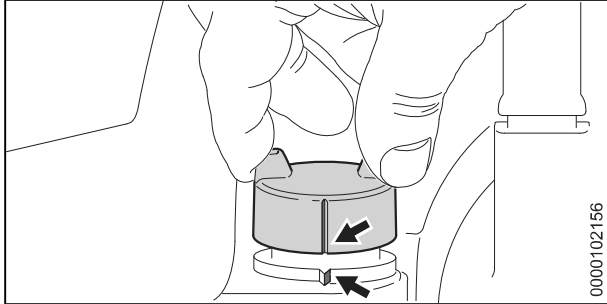
- ▶ Press the fuel tank cap downwards and turn about 1/8-of-a-turn counterclockwise. If the fuel tank is under pressure, you will hear the overpressure being released.
- ▶ When the tank is no longer under pressure: Remove fuel tank cap.

NOTICE

- Exposure to light, direct sunlight and extreme temperatures may accelerate fuel separation or aging. The cut-off machine can be damaged if it is fueled with old fuel or a fuel mix that has separated.
 - ▶ Mix the fuel thoroughly.
 - ▶ Do not top up with fuel stored for more than 30 days (STIHL MotoMix: 5 years).
- ▶ When topping up, ensure that no fuel is spilled and that the fuel level remains at least 15 mm under the edge of the tank.



- ▶ Press the fuel tank cap downwards and turn counterclockwise until the marks on the cap and fuel tank are in alignment.



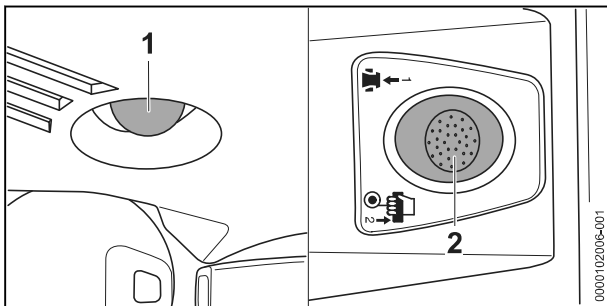
- ▶ Check to see if the fuel tank cap can be pulled up and off.
- If the fuel tank cap cannot be pulled off, the fuel tank is closed.

If the fuel tank cap can be pulled up and off, perform the following steps:

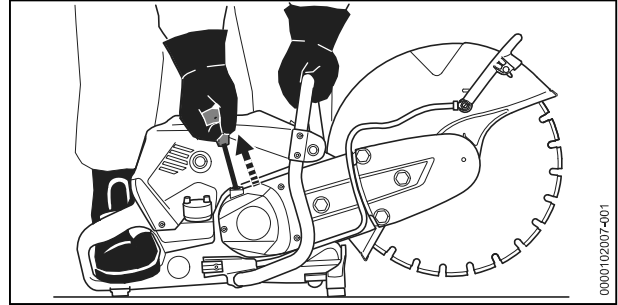
- ▶ Place the fuel tank cap in the filler opening – in any position.
- ▶ Press the fuel tank cap down and rotate it clockwise until it stops.
- ▶ Press the fuel tank cap downwards and turn counterclockwise until the marks on the cap and fuel tank are in alignment.
- ▶ Now try again to close the fuel tank.
- ▶ If the fuel tank still cannot be closed properly: Do not use the cut-off machine and contact a STIHL authorized dealer for assistance. The cut-off machine is not in a safe condition.

10 Starting and Stopping the Engine

10.1 Starting the engine

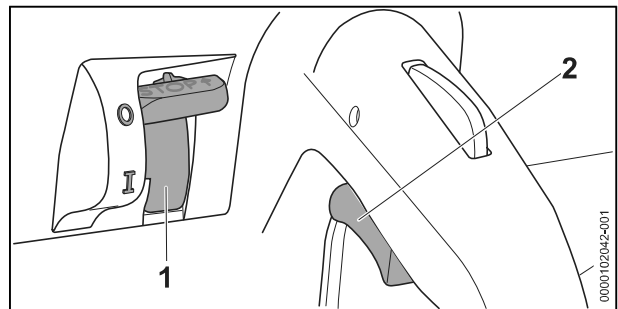


- ▶ Depress the decompression valve (2).
- ▶ Depress the manual fuel pump (1) at least 7 times.
- ▶ A warm engine can cause bubbling in the fuel mixture and therefore less fuel to be transported when pressing the manual fuel pump.
- ▶ ▶ If the engine is warm: Press manual fuel pump more than 7 times.



- ▶ Place the cut-off machine on level ground. Hold the saw firmly on the ground with your left hand on the handlebar – your thumb should be under the handlebar. Put the toe of your right foot into the rear handle and press down.
- ▶ Pull the starter grip slowly with your right hand until you feel noticeable resistance.
- ▶ Pull the starter grip quickly and allow the starter rope to rewind several times until the engine runs. The engine runs at idling speed.
- ▶ If the cutting wheel rotates at idle speed:
 - ▶ Shut off the engine.
 - ▶ Do not use the cut-off machine. Consult a STIHL authorized dealer. The cut-off machine is faulty.

10.2 Shutting off the engine



- ▶ Release the throttle trigger (2). The engine runs at idling speed.
- ▶ Slide the stop switch (1) to STOP or 0. The engine stops.
- ▶ If the engine does not stop: Do not use your cut-off machine and contact your STIHL authorized dealer for assistance. The cut-off machine is faulty.

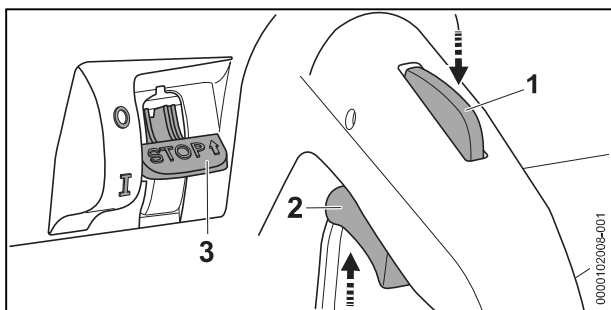
- ▶ Wait until the cutting wheel is no longer rotating.
- ▶ If the cutting wheel continues to rotate: Switch off the engine and contact your STIHL authorized dealer for assistance. The cut-off machine is faulty.

11 Checking the cut-off machine

11.1 Checking the controls

Throttle trigger lockout and throttle trigger

- ▶ Shut off the engine.



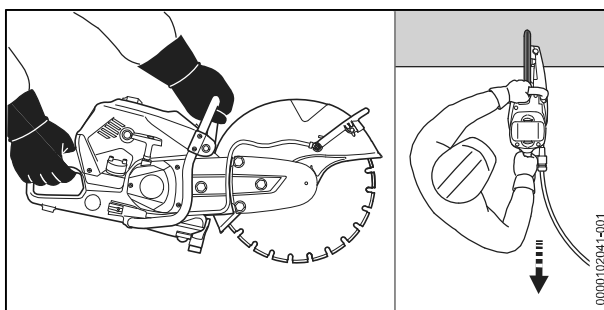
- ▶ Attempt to press the throttle trigger (2) without depressing the throttle trigger lockout (1).
- ▶ If the throttle trigger (2) can be pulled: Do not use the cut-off machine and contact your STIHL authorized dealer for assistance. The throttle trigger lockout (1) is defective.
- ▶ Press the throttle trigger lockout (1) and keep it pressed.
- ▶ Pull the throttle trigger (2) and release it again.
- ▶ If the throttle trigger (2) is stiff or does not spring back to its idle position: Do not use the cut-off machine and contact your STIHL authorized dealer for assistance. There is a malfunction in the throttle trigger.

Shutting off the engine

- ▶ Start the engine.
- ▶ Move the stop switch (3) to 0 position. The engine stops.
- ▶ If the engine does not switch off: Observe cut-off machine and wait until the fuel tank is empty. Do not use the cut-off machine. Consult a STIHL authorized dealer. The cut-off machine is faulty.

12 Working with the cut-off machine

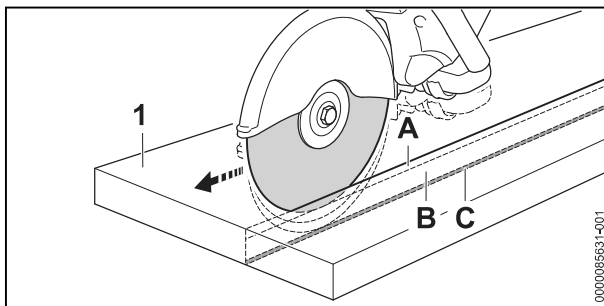
12.1 Holding and controlling the cut-off machine



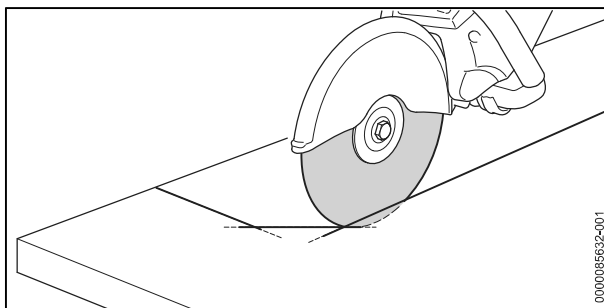
- ▶ Hold and control your cut-off machine with your left hand on the handlebar and your right hand on the control handle. Wrap thumb of left hand around the handlebar and thumb of right hand around the control handle.

12.2 Cutting plates

- ▶ Secure the plate on a non-slip surface



- ▶ Mark a cutting line
- ▶ Cut a guide groove (A) along the cutting line.
- ▶ Deepen the kerf (B) and leave a "hinge" (C).
- ▶ Cut through the plate (1) at the cutting edges.
- ▶ Break the plate (1).



- ▶ If you need to cut a curve: Cut the curve in several passes and do not tilt the cutting wheel.

12.3 Cutting pipes, round and hollow bodies

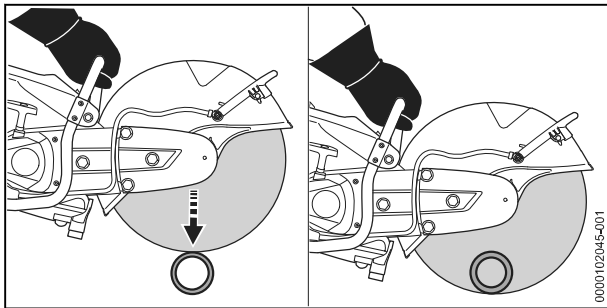
- ▶ Secure pipes, round or hollow bodies so that the pipe, round or hollow body cannot vibrate, slip or roll away.
- ▶ Note the fall and weight of the severed part.
- ▶ Mark the cutting line and avoid reinforcements, especially in the direction of the severing cut.
- ▶ Determine the sequence of the severing cuts.
- ▶ Cut a guide groove along the cutting line.
- ▶ Deepen the kerf along the guide groove.
- ▶ In the case of directional corrections, do not tilt the cutting wheel but instead reposition on the part to be cut. Leave small ridges that hold the part that is to be separated in position.
- ▶ Break these ridges after the severing cut.

12.4 Cutting concrete pipes

Concrete pipe with small outside diameter

This procedure must be carried out if the outside diameter of the concrete pipe is smaller than the maximum possible cutting depth of the cutting wheel.

- ▶ Secure the concrete pipe in such a way that it cannot oscillate, slip or roll away.

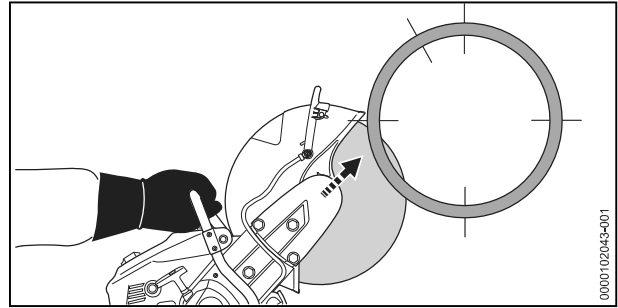


- ▶ Make one single cut from the top to the bottom.

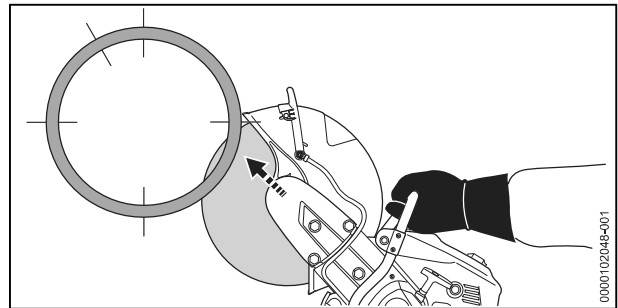
Concrete pipe with large outside diameter

This procedure must be carried out if the outside diameter of the concrete pipe is greater than the maximum possible cutting depth of the cutting wheel.

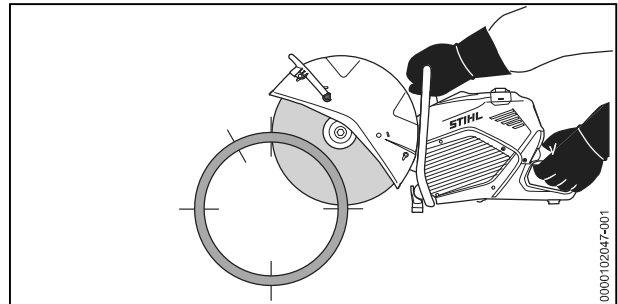
- ▶ Secure the concrete pipe in such a way that it cannot oscillate, slip or roll away.
- ▶ Determine and mark direction of cut.
- ▶ Determine sequence of cuts.



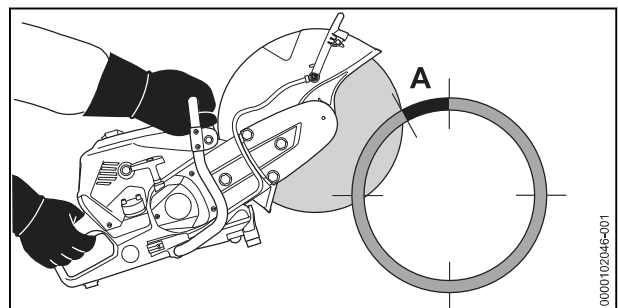
- ▶ Use the upper quarter of the cutting wheel for cutting a lower side.



- ▶ Use the upper quarter of the cutting wheel for cutting the opposite lower side.

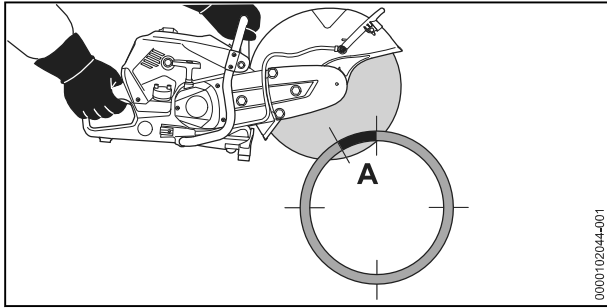


- ▶ Cut an upper side.



WARNING

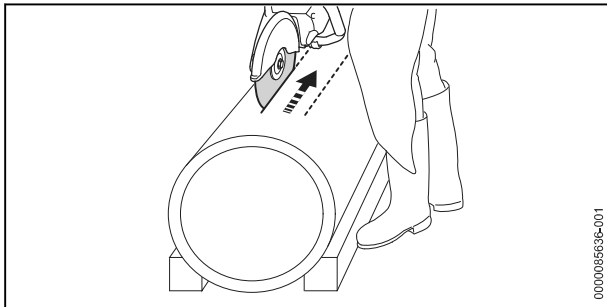
- If the marked area (A, approx. 15% of the scope of the concrete pipe) is cut or has been cut through too soon, the user may lose control of the cut-off machine. The user may be seriously injured or killed, and property may be damaged.
 - ▶ Only cut through the marked area (A) once all bottom and lateral cuts have been made.



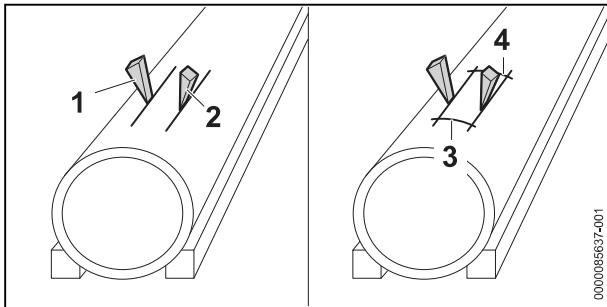
- ▶ Cut marked area (A) from above.

12.5 Cutting recesses in concrete pipes

- ▶ Secure the concrete pipe so that the concrete pipe cannot vibrate, slip or roll away.



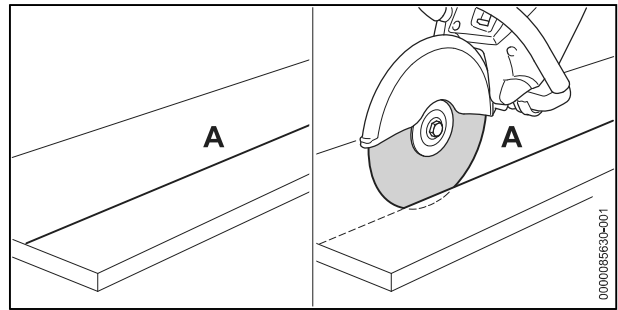
- ▶ First, cut hard-to-reach areas.
- ▶ Always make severing cuts so that the cutting wheel is not jammed.



Wedges (1 and 2) may be used, and ridges (3 and 4) can be left standing.

- ▶ Once all steps have been completed: Break off the ridges (3 and 4).
- ▶ If the part to be cut remains in its position: Do not cut again and break off the part that is to be removed.

12.6 Separating thicker material



- ▶ Mark cutting line (A).
- ▶ Cut along the cutting line (A) in such a way that one cut per pass is maximum 2 cm deep.
- ▶ If thick material is to be separated: Separate in multiple passes.
- ▶ If the cut has to be corrected: Reposition cutting wheel and do not wedge.

12.7 Working with a diamond cutting wheel

Water must always be used for wet cutting when working with diamond cutting wheels.

- ▶ The cutting wheel must be supplied with at least 0.6 liters of water per minute.

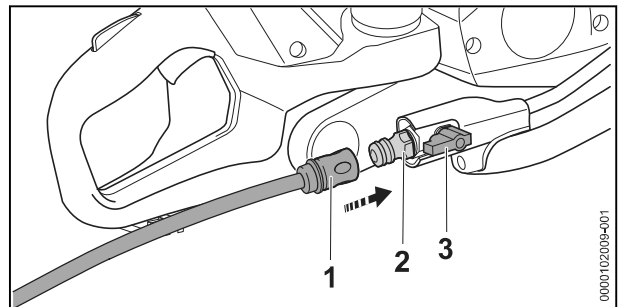
12.8 Connecting and removing the water hose

The water connection on the cut-off machine is suitable for all types of water supplies.

If there is wet cutting, a water hose or the STIHL pressurized water tank (accessories) must be connected.

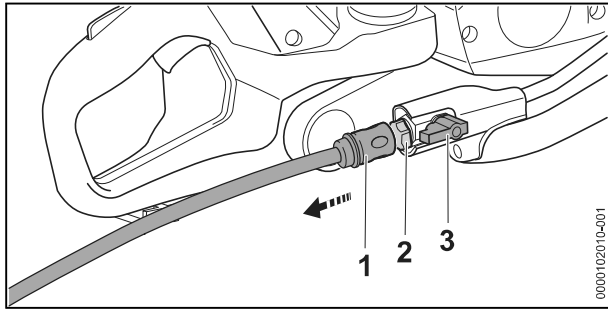
The following conditions must be met:

- The water hose has a diameter of 1/2".
- The pressurized water tank has a volume of 10l.



- ▶ Push the coupling (1) onto the connector (2). The coupling engages with an audible click.
- ▶ Turn on water supply.
- ▶ Open the shut-off valve (3).

Removing the water hose



- ▶ Close the shut-off valve (3).
- ▶ Turn off tap.
- ▶ To unlock the coupling (1): Pull the ring or twist and hold it.
- ▶ Pull the coupling (1) off the connector (2).
- ▶ Start the engine and run it for 3 to 6 seconds at full throttle.

The remaining water is centrifuged.

12.9 Cutquik cart

STIHL cut-off machines can be mounted onto a STIHL cutquik cart.

The cutquik cart is suitable for the following work:

- Repairing damaged roadways
- Applying roadway markings
- Cutting expansion joints

13 After Finishing Work

13.1 After finishing your work

- ▶ Shut off the engine.
- ▶ Wait until the cutting wheel is no longer rotating.
- ▶ Allow the cut-off machine to cool down.
- ▶ If the cut-off machine is wet: Allow the cut-off machine to dry.
- ▶ If the cut-off machine is wet: Spin the cutting wheel for 3 to 6 seconds at operating speed.
- ▶ Clean the cut-off machine.
- ▶ Clean cutting wheel.

14 Transporting

14.1 Transporting the cut-off machine

- ▶ Shut off the engine.
- ▶ Wait until the cutting wheel is no longer rotating.
- ▶ Remove the cutting wheel.
- ▶ Carry the cut-off machine by the handlebar with your right hand so that the deflector is pointing backwards.

- ▶ Transporting the cut-off machine in a vehicle: Secure the cut-off machine to prevent it from turning over and moving.

15 Storing

15.1 Storing the cut-off machine

- ▶ Switch off the engine and remove the cutting wheel.
- ▶ The cut-off machine should be stored in such a way that the following conditions are met:
 - The cut-off machine cannot tip over or move.
 - The cut-off machine is out of the reach of children.
 - The cut-off machine is clean and dry.
- ▶ If you store the cut-off machine for more than 30 days: Remove the cutting wheel.

15.2 Storing the cutting wheel

- ▶ The cutting wheel should be stored in such a way that the following conditions are met:
 - The cutting wheel is out of reach of children.
 - The cutting wheel is clean and dry.
 - The cutting wheel is in an enclosed space.
 - The cutting wheel is stored in its original packaging.
 - The cutting wheel is stored at a temperature range between 0°C and 50°C.

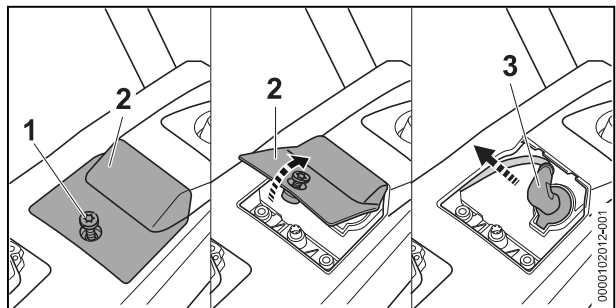
16 Cleaning

16.1 Cleaning the cut-off machine

- ▶ Shut off the engine.
- ▶ Allow the cut-off machine to cool down.
- ▶ Vacuum metal chips with a suitable vacuum cleaner.
- ▶ Use a paintbrush to clean the ventilation slots.

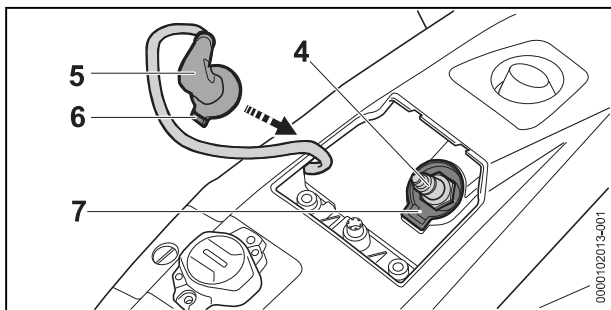
16.2 Cleaning the spark plug

- ▶ Shut off the engine.
- ▶ Allow the cut-off machine to cool down.



- ▶ Unscrew screw (1).
- ▶ Remove cover (2).
- ▶ Pull off the spark plug boot (3).
- ▶ If the area around the spark plug is soiled: Clean it with a cloth.

- ▶ Unscrew the spark plug.
- ▶ Clean the spark plug with a cloth.
- ▶ If the spark plug is corroded: Replace the spark plug.



- ▶ Insert and tighten down the spark plug (4) firmly.
- ▶ Position the spark plug boot (5) so that the lug (6) is flush with the mounting (7).
- ▶ Push the spark plug boot (5) firmly into place.
- ▶ Fit the cover (2) in position.
- ▶ Insert and firmly tighten the screw (1).

17 Maintenance

17.1 Maintenance intervals

Maintenance intervals depend on the ambient conditions and the operating conditions. STIHL recommends the following maintenance intervals:

Air filter

- ▶ Have air filter replaced by a STIHL authorized dealer, if necessary.

After every 100 hours of runtime

19 Troubleshooting

19.1 Troubleshooting the cut-off machine

Most problems can be attributed to the same cause.

- ▶ Carry out the following measures:
 - ▶ Clean or replace the spark plug.
- ▶ If the problem continues: Carry out the measured listed below.

Error	Cause	Remedy
The engine does not start.	There is not enough fuel in the fuel tank.	▶ Mix the fuel and top up the cut-off machine.
	The manual fuel pump was not operated often enough.	▶ Press manual fuel pump.
Smoke or burning smell while cutting.	The cut-off machine is not being used correctly.	▶ Have correct use explained and then practice correct use.
The cut-off machine does not rotate properly or rotates erratically.	The V-ribbed belt is not sufficiently tensioned.	▶ Re-tension the V-ribbed belt.

- ▶ Replace the spark plug.

After every 150 hours of runtime

- ▶ Have clutch checked by a STIHL authorized dealer.

Monthly

- ▶ Have the fuel tank cleaned by a STIHL dealer.
- ▶ Have the pickup body in the fuel tank cleaned by a STIHL dealer.

Annually

- ▶ Have the pickup body in the fuel tank replaced by a STIHL authorized dealer.

17.2 Maintenance and repairs of the cut-off machine and the cutting wheel

The user cannot carry out maintenance or repairs on the cut-off machine and its cutting wheel.

- ▶ If the cut-off machine or cutting wheel requires servicing or is defective or damaged: Contact a STIHL authorized dealer for assistance.

18 Repairing

18.1 Repairing the cut-off machine

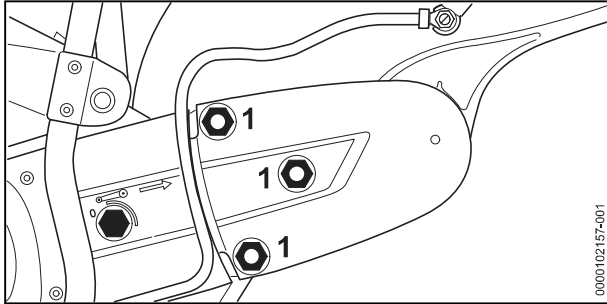
The cut-off machine cannot be repaired by the user.

- ▶ If the cut-off machine is damaged: Do not use the cut-off machine and contact a STIHL authorized dealer.

Error	Cause	Remedy
	The V-ribbed belt is torn.	▶ Replace the V-ribbed belt.
	The cutting wheel is overtightened or incorrectly tightened.	▶ Correctly tighten the cutting wheel.

19.2 Re-tensioning the V-ribbed belt

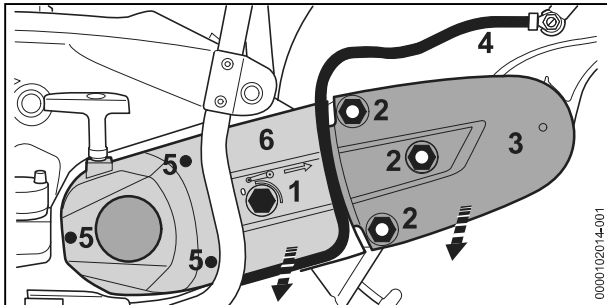
- ▶ Shut off the engine.



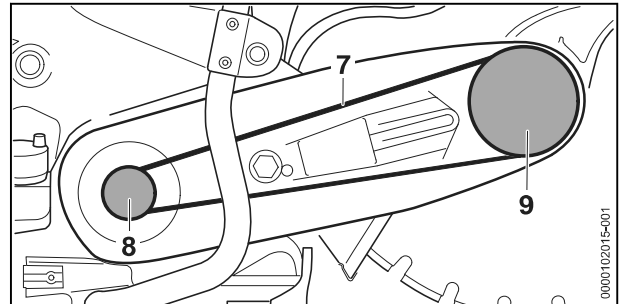
- ▶ Loosen the nuts (1).
The V-ribbed belt is tensioned by the force of the spring.
- ▶ Firmly tighten the nuts.

19.3 Replacing the V-ribbed belt

- ▶ Shut off the engine.



- ▶ Turn the tensioning nut (1) counterclockwise by 1/4 turn until the arrow of the tensioning nut points to 0.
The tensioning nut (1) is released.
- ▶ Turn the nuts (2) counterclockwise until the belt guard (3) can be removed and the V-ribbed belt can be removed from the front belt pulley.
- ▶ Remove the guard.
- ▶ Remove the hose (4) from the guide of the starter cover (6).
- ▶ Take out the screws (5).
- ▶ Remove the starter cover (6).
- ▶ Remove the V-ribbed belt (7).



- ▶ Fit the V-ribbed belt (7) in the connector and belt pulley (8).
- ▶ Fit starter cover (6) and place "support with guard" on the connector.
- ▶ Fit the V-ribbed belt (7) in the belt pulley (9).
- ▶ Position the belt guard (3).
- ▶ Align the support and belt guard in such a way that the pins and bolts are flush.
- ▶ Turn bolts (2) on pins.
- ▶ Place hose (4) into the guide of the starter cover.
- ▶ see Tensioning the V-ribbed belt.

20 Specifications

20.1 STIHL TS 710.0i Cut-off machine

- Displacement: 91.6 cm³
- Engine power: 5.2 kW (7 hp) at 9000 rpm
- Idle speed according to ISO 11681:
2600 ± 50 rpm
- Approved spark plugs: NGK CMR6H, ZK 10 C from STIHL
- Electrode gap of the spark plug: 0.6 mm
- Weight with empty fuel tank and without cutting wheel: 12.3 kg
- Max. fuel tank capacity: 1250 cm³ (1.25 l)

20.2 STIHL TS 910.0i Cut-off machine

- Displacement: 102.1 cm³
- Engine power: 6.2 kW (8.5 hp) at 9000 rpm
- Idle speed according to ISO 11681:
2600 ± 50 rpm
- Approved spark plugs: NGK CMR6H, ZK 10 C from STIHL
- Electrode gap of the spark plug: 0.6 mm

- Weight with empty fuel tank and without cutting wheel: 12.9 kg
- Max. fuel tank capacity: 1250 cm³ (1.25 l)

20.3 Sound and vibration values

TS 710.0i

- Sound pressure level L_{peq} measured according to ISO 19432-1: 105 dB(A). The K-value for the sound pressure level is 2 dB(A).
- Sound power level L_{WA} measured according to ISO 19432-1: 117°dB(A). The K-value for the sound power level is 2 dB(A).
- Vibration level $a_{hv,eq}$ measured according to ISO 19432-1:
 - Control handle: 3.9 m/s². The K value for the vibration value is 2 m/s².
 - Handlebar: 4.4 m/s². The K value for the vibration value is 2 m/s².

TS 910.0i

- Sound pressure level L_{peq} measured according to ISO 19432-1: 108 dB(A). The K-value for the sound pressure level is 2 dB(A).
- Sound power level L_{WA} measured according to ISO 19432-1: 118°dB(A). The K-value for the sound power level is 2 dB(A).
- Vibration level $a_{hv,eq}$ measured according to ISO 19432-1:
 - Control handle: 4.4 m/s². The K value for the vibration value is 2 m/s².
 - Handlebar: 5.9 m/s². The K value for the vibration value is 2 m/s².

For information on compliance with the Physical Agents (Vibration) Directive 2002/44/EC, see www.stihl.com/vib.

20.4 REACH

REACH is an EC regulation and stands for the Registration, Evaluation, Authorisation and Restriction of Chemical substances.

For information on compliance with the REACH regulation see www.stihl.com/reach.

20.5 Exhaust Emissions

The CO₂ value measured in the EU type approval procedure is specified at www.stihl.com/co2 in the product-specific technical data.

The measured CO₂ value was determined on a representative engine in accordance with a standardised test procedure under laboratory conditions and does not represent either an explicit or implied guarantee of the performance of a specific engine.

The applicable exhaust emission requirements are fulfilled by the intended usage and maintenance described in this instruction manual. The type approval expires if the engine is modified in any way.

21 Cutting wheels

21.1 Cutting wheels for STIHL TS 710.0i, TS 910.0i

The specified maximum permitted operating speed of the cutting wheel must be greater than or equal to the maximum spindle speed of the cut-off machine used.

TS 710.0i

- Maximum spindle speed: 5110 rpm
- Outside diameter: 350 mm
- Maximum thickness: 4.5 mm
- Hole diameter or spindle diameter: 20.0 mm
- Tightening torque: 30.0 Nm

Resin cutting wheels

- Maximum cutting depth: 125 mm
- Minimum outside diameter of thrust washers: 116 mm

Diamond cutting wheels

- Maximum cutting depth: 125 mm
- Minimum outside diameter of thrust washers: 103 mm
- Water volume to be added: 0.6 l/min

TS 910.0i

- Maximum spindle speed: 3970 rpm
- Outside diameter: 400 mm
- Maximum thickness: 4.5 mm
- Hole diameter or spindle diameter: 20.0 mm
- Tightening torque: 30.0 Nm

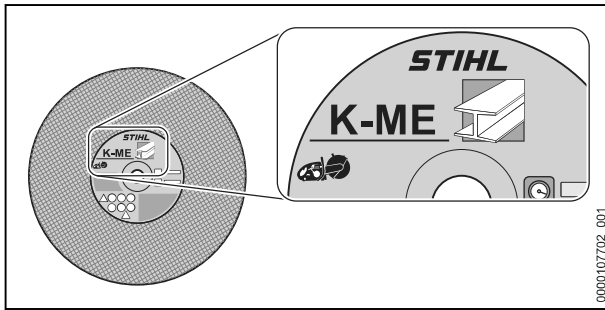
Resin cutting wheels

- Maximum cutting depth: 130 mm
- Minimum outside diameter of thrust washers: 140 mm

Diamond cutting wheels

- Maximum cutting depth: 145 mm
- Minimum outside diameter of thrust washers: 103 mm
- Water volume to be added: 0.6 l/min

21.2 Resin cutting wheels

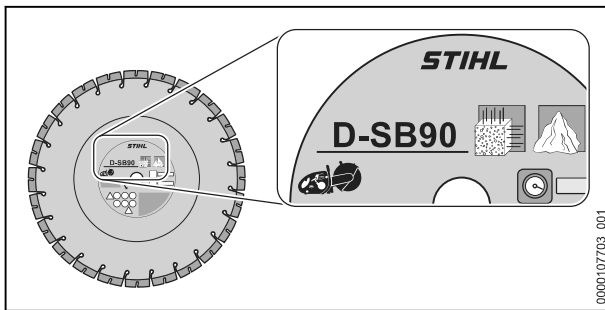


Depending on the version, STIHL resin cutting wheels are suitable for cutting the following materials:

- Stone
- Ductile cast iron pipes
- Steel
- Stainless steel

STIHL resin cutting wheels are not suitable for cutting railroad tracks.

21.3 Diamond cutting wheels




Diamond cutting wheels can be used for wet cutting.

Depending on the version, STIHL diamond cutting wheels are suitable for cutting the following materials:

- Asphalt
 - Concrete
 - Stone (hard rock)
 - Abrasive concrete
 - Fresh concrete
 - Clay bricks
 - Clay pipes
 - Water-carrying plastic pipes made of PP, PE or PVC (using the D-G80 cutting wheel).
- STIHL diamond cutting wheels are differentiated by a letter/number combination of up to four digits:
- The letters denote the main field of application of the diamond cutting wheel.
 - The numbers denote the performance class of the diamond cutting wheel.

22 Spare Parts and Accessories

22.1 Spare parts and accessories

STIHL  These symbols indicate original STIHL spare parts and original STIHL accessories.

STIHL recommends the use of original STIHL spare parts and accessories.

Despite ongoing market observation, STIHL is unable to judge the reliability, safety and suitability of other manufacturers' spare parts and accessories; accordingly, STIHL cannot warrant for the use of those parts.

Original STIHL spare parts and original STIHL accessories are available from STIHL dealers.

23 Disposal

23.1 Disposal of the cut-off machine

Contact local authorities or a STIHL authorized dealer for information about disposal.

Improper disposal can be harmful to health and pollute the environment.

- ▶ Take STIHL products including packaging to a suitable collection point for recycling in accordance with local regulations.
- ▶ Do not dispose with domestic waste.

24 EC Declaration of Conformity

24.1 STIHL TS 710.0i, 910.0i cut-off machine

ANDREAS STIHL AG & Co. KG
Badstraße 115
D-71336 Waiblingen

Germany

declares under its sole responsibility that

- Designation: Cut-off machine
- Manufacturer's brand: STIHL
- Type: TS 710.0i, serial identification: TB01
- – Displacement: 91.6 cm³
- Type: TS 910.0i, serial identification: TB01
- – Displacement: 102.1 cm³

conforms to the relevant provisions of Directives 2011/65/EU, 2006/42/EC, 2014/30/EU and 2000/14/EC and has been developed and manufactured in compliance with the following standards in the versions valid on the date of production: EN ISO 19432, EN 55012 and EN 61000.

The measured and the guaranteed sound power level have been determined in accordance with Directive 2000/14/EC, Annex V and standard ISO 3744.

TS 710.0i

- Measured sound power level: 117 dB(A)
- Guaranteed sound power level: 119 dB(A)

TS 910.0i

- Measured sound power level: 118 dB(A)
- Guaranteed sound power level: 120 dB(A)

The technical documents are stored at ANDREAS STIHL AG & Co. KG Produktzulassung.

The year of manufacture and serial number are indicated on the cut-off machine.

Waiblingen, 01.03.2024

ANDREAS STIHL AG & Co. KG

pp 

Robert Olma, Vice President, Regulatory Affairs & Global Governmental Relations

25 UKCA Declaration of Conformity

25.1 STIHL TS 710.0i, TS 910.0i cut-off machine



ANDREAS STIHL AG & Co. KG
Badstraße 115
D-71336 Waiblingen

Germany

declares under its sole responsibility that

- Designation: Cut-off machine
- Manufacturer's brand: STIHL
- Type: TS 710.0i, serial identification: TB01
- – Displacement: 91.6 cm³
- Type: TS 910.0i, serial identification: TB01
- – Displacement: 102.1 cm³

conforms to the relevant provisions of UK regulations The Restriction of the Use of Certain Hazardous Substances in Electrical and Electronic Equipment Regulations 2012, Supply of Machinery (Safety) Regulations 2008, Electromagnetic Compatibility Regulations 2016 and Noise Emission in the Environment by Equipment for use

Outdoors Regulations 2001 and has been manufactured in compliance with the following standards in the versions valid on the date of production: EN ISO 19432, EN 55012, and EN 61000-6-1.

The measured and guaranteed sound power levels have been determined in accordance with the UK regulation Noise Emission in the Environment by Equipment for use Outdoors Regulations 2001, Schedule 8, using the ISO 9207 standard.

TS 710.0i

- Measured sound power level: 117 dB(A)
- Guaranteed sound power level: 119 dB(A)

TS 910.0i

- Measured sound power level: 118 dB(A)
- Guaranteed sound power level: 120 dB(A)

The technical documents are stored at ANDREAS STIHL AG & Co. KG Produktzulassung.

The year of manufacture and serial number are indicated on the cut-off machine.

Waiblingen, 01.03.2024

ANDREAS STIHL AG & Co. KG

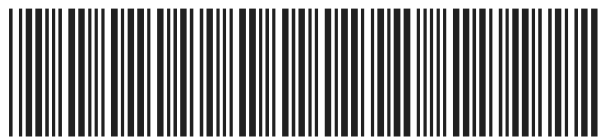
pp 

Robert Olma, Vice President, Regulatory Affairs & Global Governmental Relations

26 Addresses

www.stihl.com

www.stihl.com



0458-044-8301-A



0458-044-8301-A